

# Liberty Pumps®

## Installation Manual

703500N

## Heavy Duty Submersible Effluent/Dewatering Pumps

**\*Do not throw away or lose this manual.**

### Models

250-Series	1/3 HP
280-Series	1/2 HP
290-Series	3/4 HP
FL30-Series	1/3 HP
FL50-Series	1/2 HP
FLH60-Series	6/10 HP
FL60-Series	6/10 HP
FL70-Series	3/4 HP
FL100-Series	1 HP
FL150-Series	1-1/2 HP
FL200-Series	2 HP



### Contents

- Safety Information
- General Information
- Dewatering/Sump Applications
- Effluent Applications
- Electrical Service and Operation
- Maintenance and Troubleshooting
- Warranty

**Liberty Pumps®**

7000 Apple Tree Avenue

Bergen, NY 14416

Phone: (800) 543-2550

Fax: (585) 494-1839

www.libertypumps.com



**Installer: Please leave this manual with the owner/operator for future reference.**









**Prior to installation, record Model, Serial Number, and Code Number from pump nameplate for future reference.**

**MODEL:** \_\_\_\_\_

**SERIAL:** \_\_\_\_\_

**INSTALLATION DATE:** \_\_\_\_\_

# 1. Safety Information

	This safety alert symbol in your manual and on the pump is intended to alert you to a potential risk for injury or death.
	This is a safety alert symbol identifying <b>risk of electric shock</b> . It will be accompanied with an instruction intended to minimize your potential risk of electric shock.
	This is a safety alert symbol identifying <b>risk of fire</b> . It will be accompanied with an instruction intended to minimize your potential risk of fire.
	This is a safety alert symbol identifying <b>risk of injury or death</b> . It will be accompanied with an instruction intended to minimize your potential risk of injury or death.
	Warns of hazards that <b>will</b> cause serious injury or death.
	Warns of hazards that <b>can or will</b> cause minor or moderate injury.
	Warns of hazards that <b>can</b> cause personal injury, death, or property damage.
	Signals an important instruction related to the pump. Failure to follow these instructions could result in pump component failure, or improper operation of the unit, possibly resulting in property damage .

## **WARNING**



**RISK OF ELECTRIC SHOCK** - Accidental contact with electrically live parts, items, fluid, or water can cause serious injury or death.

- ALWAYS disconnect the supplied pump(s) from their power sources before handling or making any adjustments to either the pump(s), the pump system, or the control panel.
- Only qualified personnel should complete fixed wiring and electrical connections, according to all local and national electrical codes, during a pump system installation.
- After installation, be certain that the pump is properly grounded, using its supplied grounding conductor. Failure to properly ground the pump system can cause all metal portions of the pump and its surroundings to become energized.
- During flood conditions, submerged electrical connections can energize the water. Always wear dielectric rubber boots and other applicable Personal Protective Equipment (PPE) when water is on the floor and you must service an energized pump system. DO NOT ENTER THE WATER if the water level is higher than that of the protection your PPE offers or if your PPE is not watertight.
- NEVER lift or carry a pump or a float assembly by its power cord. This will damage the power cord, and could expose the electrically live wires inside the power cord.
- DO NOT bypass grounding wires.
- The electrical power supply shall be located within the length limitations of the pump power cord, and for below grade installations it shall be at least 1.22 m (4 ft) above the floor level.
- NEVER use this product in applications where human contact with the pumped fluid is common (such as swimming pools, fountains, marine areas, etc.).

 **WARNING**



**RISK OF ELECTRIC SHOCK - continued**

- During construction, if the pump system is installed before its power cord can be plugged in or direct wired, all power cords must be protected from the environment to prevent water from wicking through the cord end into the pump or switch housings. If water enters these housings, an electrical short can occur from the pump or switch to its surroundings, which will energize the surroundings.

 **WARNING**



**RISK OF FIRE**

- DO NOT use an extension cord to power the product. Extension cords can overload both the product and extension cord supply wires. Overloaded wires will get very hot and can catch on fire.
- This product requires a separate, properly fused and grounded branch circuit, sized for the voltage and amperage requirements of the pump, as noted on the nameplate. Overloaded branch circuit wires will get very hot and can catch on fire.
- NEVER use this product with or near flammable liquids. If the rotating elements inside this pump strike any foreign object, sparks may occur. Sparks could ignite flammable liquids.

 **WARNING**



**RISK OF SERIOUS INJURY OR DEATH**

- This pump system must be installed in accordance with all applicable codes and ordinances.
- DO NOT allow children to play with the pump system.
- DO NOT allow children, or any person who is unqualified, to use this pump system. Any person who is unaware of the dangers of this pump system, or whom has not read this manual, can easily be injured by the pump system.
- Wear adequate PPE when working on pumps or piping that have been exposed to wastewater. Sump and sewage pumps often handle materials which can transmit illness or disease upon contact with your skin and other tissues.
- DO NOT remove any tags or labels from the pump or its cord.

***NOTICE***

- NEVER dispose of materials such as paint thinner or other chemicals down drains. Doing so could chemically attack and damage pump system components and cause product malfunction or failure.
- DO NOT use pumps with fluid over 40°C. Operating the pump in fluid above this temperature can overheat the pump, resulting in pump failure.
- DO NOT use pump system with mud, sand, cement, oil or chemicals. Pump and system components can be damaged from these items causing product malfunction or failure. Additionally, flooding can occur if these items jam the impeller or piping.
- DO NOT modify the pump system in any way. Modifications may affect seals, change the electrical loading of the pump, or damage the pump and its components. Modifications can void your warranty on this product.
- DO NOT run this pump system dry.

## 2. General Information

### MODEL SPECIFICATIONS

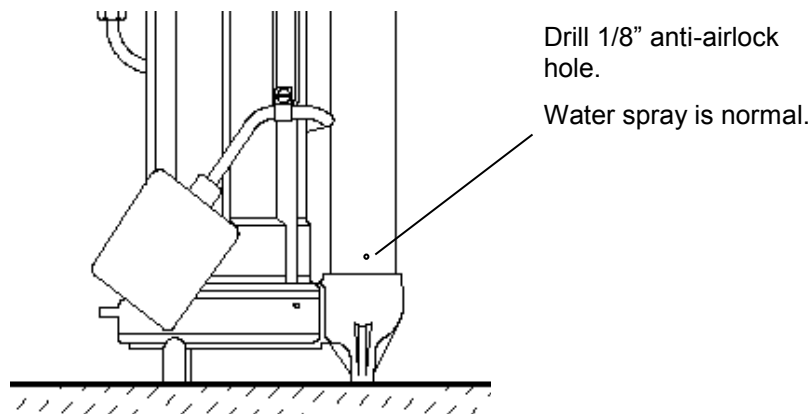
Model	HP	Volts	Full Load Amps	Solids Handling	Automatic or Manual	Shut-off Head	Factory Switch Setting	
							Turn-on	Turn-off
250*	1/3	115	5.2	1/2"	Manual*	22 ft.	*	*
251	1/3	115	5.2	1/2"	Automatic	22 ft.	11"	4-1/2"
253	1/3	115	5.2	1/2"	Automatic	22 ft.	11"	4-1/2"
257	1/3	115	5.2	1/2"	Automatic	22 ft.	7"	3-1/2"
250HV*	1/3	230	2.6	1/2"	Manual*	22 ft.	*	*
251HV	1/3	230	2.6	1/2"	Automatic	22 ft.	11"	4-1/2"
257HV	1/3	230	2.6	1/2"	Automatic	22 ft.	7"	3-1/2"
280*	1/2	115	8.0	3/4"	Manual*	37 ft.	*	*
281	1/2	115	8.0	3/4"	Automatic	37 ft.	13"	7"
283	1/2	115	8.0	3/4"	Automatic	37 ft.	13"	7"
287	1/2	115	8.0	3/4"	Automatic	37 ft.	9-1/2"	4"
280HV*	1/2	208-230	4.0	3/4"	Manual*	37 ft.	*	*
281HV	1/2	208-230	4.0	3/4"	Automatic	37 ft.	13"	7"
283HV	1/2	208-230	4.0	3/4"	Automatic	37 ft.	13"	7"
287HV	1/2	208-230	4.0	3/4"	Automatic	37 ft.	9-1/2"	4"
290*	3/4	115	10.4	3/4"	Manual*	48 ft.	*	*
291	3/4	115	10.4	3/4"	Automatic	48 ft.	13"	7"
293	3/4	115	10.4	3/4"	Automatic	48 ft.	13"	7"
297	3/4	115	10.4	3/4"	Automatic	48 ft.	9-1/2"	4"
290HV*	3/4	208-230	5.3	3/4"	Manual*	48 ft.	*	*
291HV	3/4	208-230	5.3	3/4"	Automatic	48 ft.	13"	7"
293HV	3/4	208-230	5.3	3/4"	Automatic	48 ft.	13"	7"
297HV	3/4	208-230	5.3	3/4"	Automatic	48 ft.	9-1/2"	4"
FL31M*	1/3	115	10.5	3/4"	Manual*	19 ft.	*	*
FL31A	1/3	115	10.5	3/4"	Automatic	19 ft.	12"	5"
FL32M*	1/3	208-230	5.5	3/4"	Manual*	19 ft.	*	*
FL32A	1/3	208-230	5.5	3/4"	Automatic	19 ft.	12"	5"
FL51M*	1/2	115	12	3/4"	Manual*	55 ft.	*	*
FL51A	1/2	115	12	3/4"	Automatic	55 ft.	13"	6"
FL52M*	1/2	208-230	6.5	3/4"	Manual*	55 ft.	*	*
FL52A	1/2	208-230	6.5	3/4"	Automatic	55 ft.	13"	6"
FLH61M*	6/10	115	12	3/4"	Manual*	70 ft.	*	*
FLH61A	6/10	115	12	3/4"	Automatic	70 ft.	13"	6"
FL62M*	6/10	208-230	8.2	3/4"	Manual*	65 ft.	*	*
FL62A	6/10	208-230	8.2	3/4"	Automatic	65 ft.	13"	6"
FL63M*	6/10	208-230 3PH	5.6	3/4"	Manual*	65 ft.	*	*
FL64M*	6/10	440-480 3PH	2.8	3/4"	Manual*	65 ft.	*	*
FL72M*	3/4	208-230	10.5	3/4"	Manual*	77 ft.	*	*
FL72A	3/4	208-230	10.5	3/4"	Automatic	77 ft.	13"	6"
FL73M*	3/4	208-230 3PH	7.5	3/4"	Manual*	77 ft.	*	*
FL74M*	3/4	440-480 3PH	3.5	3/4"	Manual*	77 ft.	*	*
FL102M*	1	208-230	12	3/4"	Manual*	90 ft.	*	*
FL102A	1	208-230	12	3/4"	Automatic	90 ft.	15"	8"
FL103M*	1	208-230 3PH	9	3/4"	Manual*	90 ft.	*	*
FL104M*	1	440-480 3PH	4.5	3/4"	Manual*	90 ft.	*	*
FL105M*	1	575 3PH	3.3	3/4"	Manual*	90 ft.	*	*
FL152M*	1-1/2	208-230	15	3/4"	Manual*	110 ft.	*	*
FL152A	1-1/2	208-230	15	3/4"	Automatic	110 ft.	15"	8"
FL153M*	1-1/2	208-230 3PH	10.6	3/4"	Manual*	110 ft.	*	*
FL154M*	1-1/2	440-480 3PH	5.3	3/4"	Manual*	110 ft.	*	*
FL155M*	1-1/2	575 3PH	4.9	3/4"	Manual*	110 ft.	*	*
FL202M*	2	208-230	15	3/4"	Manual*	130 ft.	*	*
FL202A	2	208-230	15	3/4"	Automatic	130 ft.	15"	8"
FL203M*	2	208-230 3PH	10.6	3/4"	Manual*	130 ft.	*	*
FL204M*	2	440-480 3PH	5.3	3/4"	Manual*	130 ft.	*	*
FL205M*	2	575 3PH	4.9	3/4"	Manual*	130 ft.	*	*

**Note:** Manual models ("M" suffix) and 3 phase models, as designated above, require a separate approved pump control device or panel for automatic operation. Operation of these models will be according to the control selected. Make sure the electrical specifications of the control selected properly match the electrical specifications of the pump. 3 phase models require overload elements selected or adjusted in accordance with the control or panel instructions.

**WARNING:** Always use a replacement power cord assembly of the same length and type as originally installed on the Liberty product. Using a cord of improper gauge or length may lead to exceeding the electrical rating of the cord and could result in death, injury, fire or other significant failure.

### 3. Dewatering / Sump Applications

1. For ordinary ground water pumping applications, a sump pit of not less than 14" in diameter is recommended. Vertical float (VMF) models (257, 287 and 297) may be used in a minimum 10" diameter sump; however, a larger diameter pit is preferred as it allows for a longer pump cycle and reduced switch cycling. The minimum depth of the pit should be 18".
2. If the pit is not already enclosed on the bottom, provide a hard level bottom of bricks or concrete. DO NOT place the pump directly on earth, gravel or debris since this can cause excessive wear of the impeller and possible jamming. **"The Brick"** (sold by Liberty Pumps as part # 4445000) is a pre-molded stable platform designed to fit your submersible pump. It raises the pump 2.5" off the bottom of the pit, reducing the potential for jamming from rocks and debris. Contact your local distributor to order. Remove all debris from the bottom of the sump pit before installation of the pump. A sump pit cover is suggested for safety and to prevent foreign objects from entering the pit.
3. Set the pump in the pit making sure the switch has adequate clearance and will not hang-up on the pit wall. The float must be **free to move throughout its travel** and not contacting the pump body, piping, or other objects. A 1-1/2" threaded discharge is provided for connection of the discharge pipe. Do not reduce the discharge size to below 1-1/2". Schedule 40 PVC pipe is recommended; however, flexible discharge hose kits may be used for temporary installations.
4. Connect the pipe or the discharge hose to the discharge of the pump. **HAND TIGHTEN ONLY**. Over tightening may cause the pump housing to crack. Install a union or other means of separating the discharge line just above the floor to facilitate removal of the pump if necessary. A check valve is recommended just above or in place of the union to prevent the backflow of water after each pump cycle. (All Liberty effluent/dewatering pumps come equipped with an air bleed hole in the base of the pump to help prevent airlock. A small spray of water from this hole is normal while pump is running.)
5. Connect additional piping as needed to direct the discharge to the desired location. Discharge should be kept as short as possible with a minimum number of turns. Check all connections for security.
6. Install a union or other means of separating the discharge pipe just above the floor to facilitate removal of the pump if necessary. **A check valve is recommended just above, or in place of, the union to prevent the backflow of water after each pump cycle.**
7. If a check valve is used, **a 1/8" anti-airlock hole should be drilled in the discharge pipe just above the pump's discharge outlet to prevent pump "airlock" (see Fig. 1).**



**Fig. 1 – Anti-airlock hole position**

8. For added protection, consider the addition of a back-up pump such as **Liberty's SJ10 SumpJet**, as well as an alarm such as **Liberty's ALM-2** in applications where loss of pump function could result in property damage. If an alarm is used, it must be connected to a separate electrical circuit.

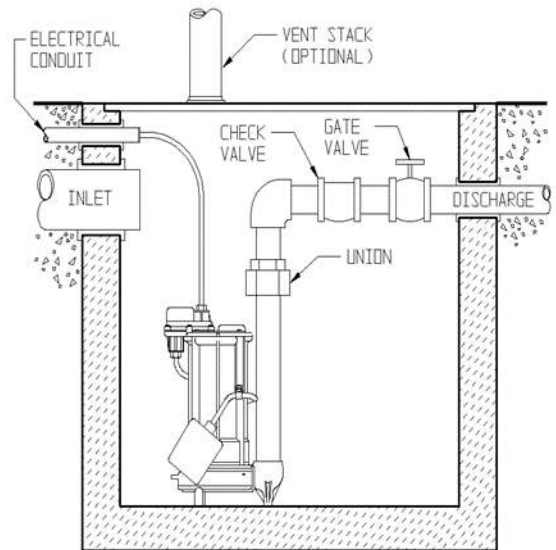
## 4. Effluent Applications

Vertical Magnetic Float (VMF) models (257, 287 and 297) are not recommended for effluent applications due to their short On/Off cycle. Wide angle float models are better suited for effluent applications and are easily adjustable for different On/Off levels.

The basin required for effluent applications must be sealed and vented to meet health and plumbing code requirements. Proper basin size and basin materials for effluent applications vary depending on the type of effluent system and local codes. Check with your local codes official prior to purchasing and installing the basin. Follow the manufacturer's recommended guidelines for installation of your specific basin. A minimum diameter of 18" and depth of 24" is required for proper pump operation, but larger basins are preferred for longer pump cycles and increased switch life. Installation should be at a sufficient depth to ensure that all plumbing is below the frost line. If this is not feasible, delete the check valve and size the basin and/or adjust the pump differential to accommodate the additional backflow.

**WARNING** These pumps are not to be installed in locations classified as hazardous in accordance with the National Electric Code, ANSI/NFPA 70, or where prohibited by local codes.

- A. **Simplex (One Pump) Systems (see Fig. 2):** Set the pump in place making sure the float has adequate clearance to the side wall of the basin. The float must be **free to move throughout its travel** and not contacting the pump body, piping, or other objects. If an optional control device or float is used, follow the directions for mounting that accompany the optional control. Connect the discharge pipe to the pump's threaded discharge. **IMPORTANT: DO NOT REDUCE THE DISCHARGE PIPE SIZE BELOW THAT WHICH IS PROVIDED ON THE PUMP.** Contact Liberty Pumps or other qualified person if you have questions regarding proper pipe sizes and flow rates. Mount the basin cover making sure it is properly sealed.



**Fig. 2 – Typical Installation Simplex System**

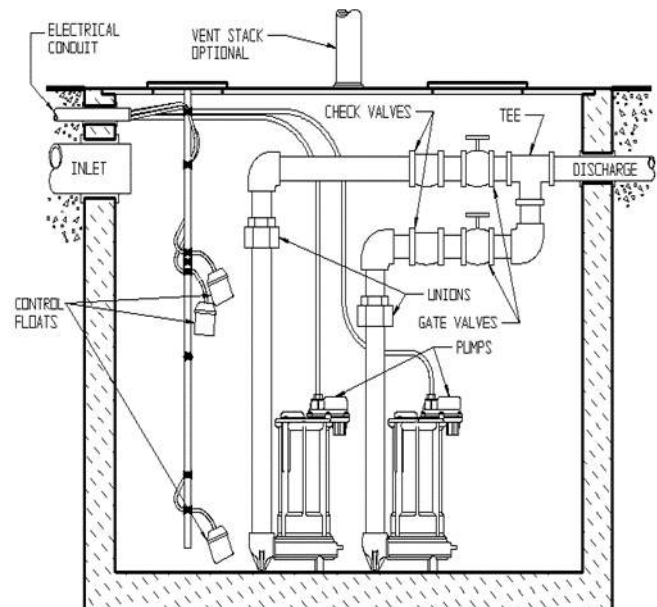
This is a recommended installation only.

Variations may apply.

**Installation of Discharge:** After the pump has been mounted, install the discharge line. A union should be installed to facilitate pump removal if necessary. A free-flow swing check valve is recommended after the union to prevent the backflow of liquid after each pumping cycle. A gate valve should follow the check valve to allow periodic cleaning of the check valve or removal of the pump. The remainder of the discharge line should be as short as possible with a minimum number of turns, to minimize friction head loss. Contact Liberty Pumps or other qualified person if you have questions regarding proper pipe sizes and flow rates.

(All Liberty effluent/dewatering pumps come equipped with an air bleed hole in the base of the pump to help prevent airlock. A small spray of water from this hole is normal while pump is running.)

- B. **Duplex (Two Pump) Systems (see Fig. 3):** Set both pumps in place in the bottom of the basin. The duplex control used will include 3 or 4 floats that will either be tethered to one of the discharge pipes or to an independent rod or bracket. Follow the instructions provided with your duplex control device. Each float must be **free to move throughout its travel** and not contacting the pump body, piping, or other objects. Connect an individual discharge pipe to each pump.



**Fig. 3 – Typical Installation Duplex System**

This is a recommended installation only.

Variations may apply.

**IMPORTANT: DO NOT REDUCE THE DISCHARGE PIPE SIZE BELOW THAT WHICH IS PROVIDED ON THE PUMP.** Contact Liberty Pumps or other qualified person if you have any questions regarding proper pipe sizes and flow rates. To eliminate fluid recycling in duplex installations, it is necessary to have a check valve on each discharge line prior to tying the two discharges into one common line. Depending on the height of your basin, the check valves may either be installed inside the basin or outside the basin. Mount the basin cover(s) making sure they are properly sealed.

**Installation of Remaining Discharge:** Unions or flexible connectors should be installed to facilitate removal of the pump if necessary. Free-flow swing check valves should be installed on each discharge after the union and prior to the gate valve to prevent the back flow of liquid or gas. A check valve on each discharge line, prior to tying into one common line, is necessary to prevent the recycling of fluid from one pump to the other. A gate valve is recommended after the check valve to allow for periodic cleaning of the check valve or removal of the pump. The remainder of the discharge line should be as short as possible with a minimum number of turns to minimize friction head loss. Contact Liberty Pumps or other qualified person if there are questions regarding proper pipe size or flow rates. (All Liberty effluent/dewatering pumps come equipped with an air bleed hole in the base of the pump to help prevent airlock. A small spray of water from this hole is normal while pump is running.)

## 5. Electrical Service and Operation

### ⚠ WARNING

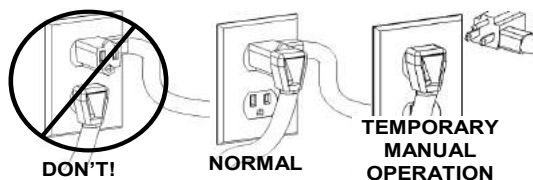
- **Risk of electric shock.** Always disconnect the pump from the power source before handling or making adjustments.
- The electrical connections and wiring for a pump installation should only be made by qualified personnel.
- This pump is supplied with a grounding conductor or a grounding type attachment plug. To reduce the risk of electric shock, be certain that the grounding conductor is connected only to a properly grounded control panel or, if equipped with a grounding type plug that it is connected to a properly grounded, grounding type receptacle.
- **DO NOT** bypass grounding wires or remove ground prongs from attachment plugs.
- **DO NOT** use an extension cord.
- This pump requires separate, properly fused and grounded branch circuit. Make sure the power source is properly sized for the voltage and amperage requirements of the motor, as noted on the pump nameplate.
- The electrical outlet or panel shall be within the length limitations of the pump power cord, and at least 4 feet above floor level to minimize possible hazards from flood conditions.
- The installation must be in accordance with the National Electric Code and all applicable local codes and ordinances.

### ⚠ CAUTION

When the risk of property damage from high water levels exists, an independent high water alarm or back up pump system should be installed.

All FL-Series automatic models (designated with the letter "A") and Models 253, 283 and 293, come factory-equipped with a float switch mounted to the pump. These models come with two cords - one to the float switch and the other to the pump motor. The switch cord has a series (piggyback) plug enabling the pump (motor) cord to be plugged into the back of it. The purpose of this design is to allow manual operation of the pump.

**For manual operation**, or in the event of switch failure, the pump cord can be separated and plugged into the electrical outlet, directly bypassing the switch (**see Fig. 4**).



**Fig. 4 – Temporary manual operation**

**For automatic operation** using Liberty's supplied switch, the two cords should be interconnected and plugged into a separately fused grounded outlet of proper amp capacity for your selected pump model. (See Section 1, General Information or the pump nameplate for electrical specifications of your model.) Both cords are equipped with 3-prong plugs and must be plugged into a properly grounded 3-wire receptacle. **DO NOT REMOVE THE GROUND PRONGS.**

**⚠ WARNING** 208-230V single phase pumps shall only be operated without the float switch by using the circuit breaker or panel disconnect.

**⚠ CAUTION** Do not let the pump run dry.

The turn-on/turn-off levels vary depending on model. (See model specifications chart on page 3 for the "factory" preset level of your specific model.) Other pumping differentials may be obtained by tethering the switch cord to the discharge pipe. **NOTE:** A minimum cord length of 3-1/2" from the tether point to the top surface of the float is required for proper switch operation. If using a differential other than the factory setting, be sure that when the pump shuts off, at least 3-1/2" of fluid is left in the basin so the impeller remains submerged. **(Models 251, 257, 281, 287, 291, and 297 have factory-preset switches that are not adjustable.)**

Manual pumps with no switch are intended to be run using an approved liquid level control or approved motor control with correct rating that matches motor input in full load amperes. Regardless of the control type, be sure that when the pump shuts off, at least 3-1/2" of fluid is left in the basin so the impeller remains submerged.

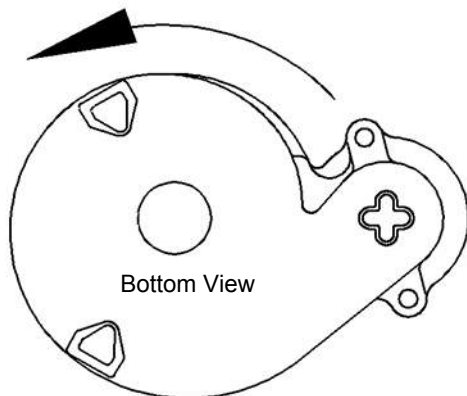
**NOTE: For automatic operation with optional control devices:** If the pump(s) are to be operated by either a simplex or duplex control panel or other optional control device, follow the installation instructions provided with the control and make the power connections per those instructions. If necessary, certain models may be run without a separate control.

**⚠ WARNING** 208-230V single phase pumps shall only be operated without the float switch by using the circuit breaker or panel disconnect.

**⚠ CAUTION** Do not let the pump run dry.

### **3 Phase Pump Models (FL63, FL64, FL73, FL74, FL103, FL104, FL105, FL153, FL154, FL155, FL203, FL204, FL205)**

**⚠ CAUTION** For 3-Phase pumps, check for proper rotation before installing pump into basin (**see Fig. 5**).



Check three phase pumps for proper rotation prior to installing pump(s) in basin. To change rotation, reverse any two of the three power leads to the pump. Code the wires for reconnection after installation.

**Fig. 5 – Proper impeller rotation, three phase models**



If a single phase pump is to be wired directly into a control device or junction box, and it is necessary to remove the plugs, have a certified electrician do the wiring in accordance with the National Electric Code and applicable local codes. See Fig. 6 for direct wire installation of single phase, automatic pumps.

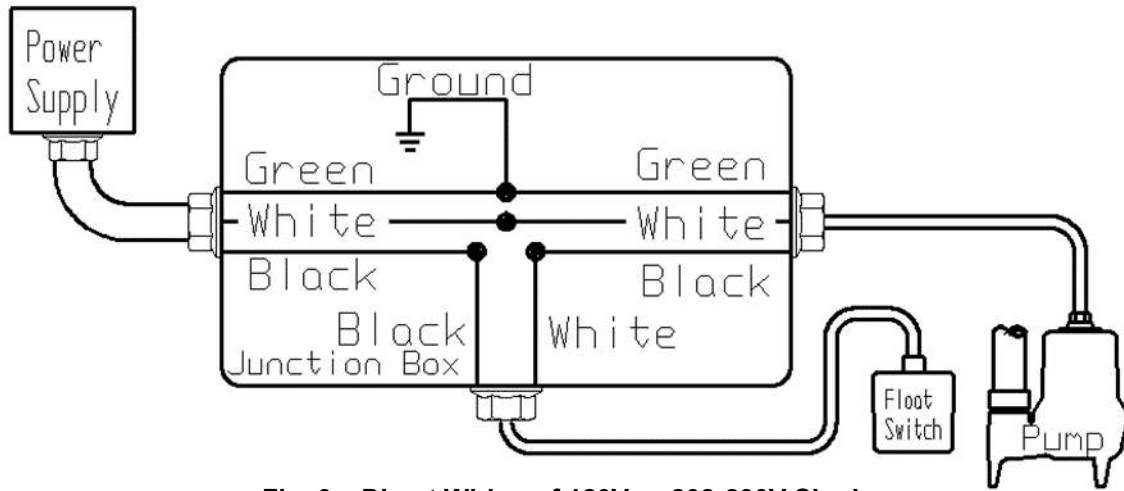


Fig. 6 – Direct Wiring of 120V or 208-230V Single Phase, Automatic Pump(s)

**WARNING**

**For 208-230V installations:** Install a double pole disconnect near the pump installation. One side of the line going to the pump is always “hot”, whether the float switch is in the “On” or the “Off” position. Use of a double pole disconnect will allow both hot legs to be de-energized.

## 6. Maintenance

**WARNING**

**Risk of electric shock.** Always disconnect the pump from the power source before handling or making adjustments.

**WARNING**

**Always disconnect the pump from power source before handling.** This guide is designed to help identify reasons for potential operating problems. It is not a service guide. **Dismantling of pump voids warranty.** Servicing of pump other than simple cleaning of pump inlet or impeller should be referred to the factory or its authorized service centers.

- 1. Submersible Models:** Submersible pump models have sealed permanently lubricated bearings and require no additional lubrication.
- 2. Pump should be checked frequently for debris and/or build up which may interfere with pump or float switch operation.** The float must be able to move freely through its complete travel without any restrictions. Pour enough water into the sump to activate the pump periodically (at least every 3 months) when not normally in use to verify proper function.

**NOTE: The manufacturer assumes no responsibility for damage or injury due to disassembly in the field.**

# 7. Troubleshooting

Problem	Cause	Correction
Pump will not run.	<ul style="list-style-type: none"> <li>Blown fuse or other interruption of power; improper voltage.</li> </ul>	<ul style="list-style-type: none"> <li>Check that the unit is securely plugged in. Have an electrician check all wiring for proper connections and adequate voltage and capacity.</li> </ul>
	<ul style="list-style-type: none"> <li>Switch is unable to move to the "turn on" position due to interference with the side of basin or other obstruction</li> </ul>	<ul style="list-style-type: none"> <li>Position the pump or switch so that it has adequate clearance for free operation.</li> </ul>
	<ul style="list-style-type: none"> <li>Insufficient liquid level.</li> </ul>	<ul style="list-style-type: none"> <li>Make sure the liquid level is allowed to rise enough to activate switch(s).</li> </ul>
	<ul style="list-style-type: none"> <li>Defective switch.</li> </ul>	<ul style="list-style-type: none"> <li>Remove and replace switch.</li> </ul>
Pump will not turn off.	<ul style="list-style-type: none"> <li>Switch(s) unable to move to the "turn off" position due to interference with the side of basin or other obstacle.</li> </ul>	<ul style="list-style-type: none"> <li>Position the pump or switch so that it has adequate clearance for free operation.</li> </ul>
	<ul style="list-style-type: none"> <li>Defective switch.</li> </ul>	<ul style="list-style-type: none"> <li>Remove and replace switch.</li> </ul>
Pump runs or hums, but does not pump.	<ul style="list-style-type: none"> <li>Discharge is blocked or restricted.</li> </ul>	<ul style="list-style-type: none"> <li>Check the discharge line for foreign material, including ice if the discharge line passes through or into cold areas.</li> </ul>
	<ul style="list-style-type: none"> <li>Check valve is stuck closed or installed backwards.</li> </ul>	<ul style="list-style-type: none"> <li>Remove check valve(s) and examine for freedom of operation and proper installation.</li> </ul>
	<ul style="list-style-type: none"> <li>Gate or ball valve is closed.</li> </ul>	<ul style="list-style-type: none"> <li>Open gate or ball valve.</li> </ul>
	<ul style="list-style-type: none"> <li>Total lift is beyond pump's capability.</li> </ul>	<ul style="list-style-type: none"> <li>Try to route piping to a lower level. If not possible, a larger pump may be required. <b>Consult the factory.</b></li> </ul>
	<ul style="list-style-type: none"> <li>Pump impeller is jammed or volute casing is plugged.</li> </ul>	<ul style="list-style-type: none"> <li>*Remove the pump from the basin. Detach the pump base and clean the area around the impeller. Reassemble and reinstall.</li> </ul>
Pump runs periodically when fixtures are not in use.	<ul style="list-style-type: none"> <li>Check valve was not installed, is stuck open or is leaking.</li> </ul>	<ul style="list-style-type: none"> <li>Remove check valve(s) and examine for freedom of operation and proper installation.</li> </ul>
	<ul style="list-style-type: none"> <li>Fixtures are leaking.</li> </ul>	<ul style="list-style-type: none"> <li>Repair fixtures as required to eliminate leakage.</li> </ul>
Pump operates noisily.	<ul style="list-style-type: none"> <li>Foreign objects in the impeller cavity.</li> </ul>	<ul style="list-style-type: none"> <li>*Remove the pump from the basin. Detach the pump base and clean the area around the impeller. Reassemble and reinstall.</li> </ul>
	<ul style="list-style-type: none"> <li>Broken impeller.</li> </ul>	<ul style="list-style-type: none"> <li>Consult the factory for information regarding replacement of impeller.</li> </ul>
	<ul style="list-style-type: none"> <li>Worn bearings.</li> </ul>	<ul style="list-style-type: none"> <li>Return pump to the factory or authorized repair station for repair.</li> </ul>
	<ul style="list-style-type: none"> <li>Piping attachments to building are too rigid.</li> </ul>	<ul style="list-style-type: none"> <li>Replace a portion of the discharge line with rubber hose or connector.</li> </ul>

## 8. 3 Year Limited Warranty

**\*NOTE:** Liberty Pumps, Inc. assumes no responsibility for damage or injury due to disassembly in the field. Disassembly, other than at Liberty Pumps or its authorized service centers, automatically voids warranty.

Liberty Pumps, Inc. warrants that pumps of its manufacture are free from all factory defects in material and workmanship for a period of 3 years from the date of purchase. The date of purchase shall be determined by a dated sales receipt noting the model and serial number of the pump. The dated sales receipt must accompany the returned pump if the date of return is more than 3 years from the "CODE" (date of manufacture) number noted on the pump nameplate.

The manufacturer's obligation under this warranty shall be limited to the repair or replacement of any parts found by the manufacturer to be defective, provided the part or assembly is returned freight prepaid to the manufacturer or its authorized service center, and provided that none of the following warranty-voiding characteristics are evident.

The manufacturer shall not be liable under this warranty if the product has not been properly installed; if it has been disassembled, modified, abused or tampered with; if the electrical cord has been cut, damaged or spliced; if the pump discharge has been reduced in size; if the pump has been used in water temperatures above the advertised rating, or water containing sand, lime, cement, gravel or other abrasives; if the product has been used to pump chemicals or hydrocarbons; if a non-submersible motor has been subjected to excessive moisture; or if the label bearing the serial, model and code number has been removed. Liberty Pumps, Inc. shall not be liable for any loss, damage or expenses resulting from installation or use of its products, or for consequential damages, including costs of removal, reinstallation or transportation.

There is no other express warranty. All implied warranties, including those of merchantability and fitness for a particular purpose, are limited to three years from the date of purchase.

This warranty contains the exclusive remedy of the purchaser, and, where permitted, liability for consequential or incidental damages under any and all warranties are excluded.



7000 Apple Tree Avenue  
Bergen, NY 14416  
Phone: (800) 543-2550  
Fax: (585) 494-1839  
[www.libertypumps.com](http://www.libertypumps.com)

# Liberty Pumps®

## Manual de instalación

703500N

## Bombas de efluentes/desagüe sumergibles de alta resistencia

\*No tire ni pierda este manual.

### Modelos

Serie 250	1/3 HP
Serie 280	1/2 HP
Serie 290	3/4 HP
Serie FL30	1/3 HP
Serie FL50	1/2 HP
Serie FLH60	6/10 HP
Serie FL60	6/10 HP
Serie FL70	3/4 HP
Serie FL100	1 HP
Serie FL150	1-1/2 HP
Serie FL200	2 HP



### Contenido

- Información de seguridad
- Información general
- Aplicaciones de desagüe/sumidero
- Aplicaciones de efluentes
- Servicio y operación eléctricos
- Mantenimiento y diagnóstico de problemas
- Garantía

**Liberty Pumps®**

7000 Apple Tree Avenue

Bergen, NY 14416

Teléfono: (800) 543-2550

Fax: (585) 494-1839

www.libertypumps.com


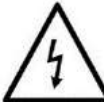







Al instalador: Deje este manual con el propietario / operador para referencia futura. Antes de la instalación, registrar el modelo, el número de serie y el código de la placa de la bomba, y guardar para futuras consultas.

MODELO: \_\_\_\_\_

NO. DE SERIE: \_\_\_\_\_

# 1. Información de Seguridad

	Este símbolo de alerta de seguridad en el manual y la bomba está pensado para avisarle del riesgo potencial de una lesión o la muerte.
	Este símbolo de alerta de seguridad identifica el <b>riesgo de descarga eléctrica</b> . Se acompaña con una instrucción destinada a minimizar el riesgo de una descarga eléctrica.
	Este símbolo de alerta de seguridad identifica el <b>riesgo de incendio</b> . Se acompaña con una instrucción destinada a minimizar el riesgo de un incendio.
	Este símbolo de alerta de seguridad identifica el <b>riesgo de una lesión o la muerte</b> . Se acompaña con una instrucción destinada a minimizar el riesgo potencial de una lesión o la muerte.
 <b>PELIGRO</b>	Advierte peligros que <b>provocarán</b> lesiones graves o la muerte.
 <b>ADVERTENCIA</b>	Advierte peligros que <b>podrían provocar o provocarán</b> lesiones menores o moderadas.
 <b>PRECAUCIÓN</b>	Advierte peligros que <b>pueden</b> provocar lesiones personales, la muerte o daños a la propiedad.
<b>AVISO</b>	Indica una instrucción importante con relación a la bomba. El incumplimiento de estas instrucciones puede provocar fallos en los componentes de la bomba, o el funcionamiento incorrecto de la unidad, y posiblemente resulte en daños a la propiedad.

## **ADVERTENCIA**



**RIESGO DE DESCARGA ELÉCTRICA:** El contacto accidental con piezas, elementos, líquidos o agua eléctricamente activos puede provocar lesiones graves o la muerte.

- Desconectar SIEMPRE la(s) bomba(s) suministrada(s) de la fuente de alimentación antes de manipular o hacer ajustes a la(s) bomba(s), el sistema de bombeo o el panel de control.
- Sólo el personal calificado debe completar el cableado fijo y las conexiones eléctricas, de acuerdo con todos los códigos eléctricos locales y nacionales cuando se instale un sistema de bombeo.
- Después de la instalación, asegúrese de que la bomba está conectada a tierra correctamente, utilizando su conductor de puesta a tierra suministrado. No poner a tierra correctamente el sistema de bombeo podría electrizar todas las piezas metálicas de la bomba y su entorno.
- Durante una inundación, las conexiones eléctricas sumergidas podrían electrizar el agua. Usar siempre botas de goma con propiedades dieléctricas y otros Equipos de Protección Personal (EPP) cuando haya agua en el piso y deba prestar servicio y encender el sistema de bombeo. **NO ENTRAR EN EL AGUA** si el nivel del agua sobrepasa la altura de la protección que ofrece su EPP o si su EPP no es a prueba de agua.
- **NO** levantar NI transportar **NUNCA** una bomba o un ensamblaje de flotación tirando de su cable de alimentación. Esto dañará el cable de alimentación y podría exponer los cables con corriente eléctrica que van por dentro del cable de alimentación.
- **NO** derivar los cables de conexión a tierra.
- La fuente de alimentación eléctrica debe encontrarse dentro de los límites de longitud del cable de alimentación de la bomba, y en caso de instalaciones por debajo del nivel del suelo necesitará encontrarse como mínimo 1,22 m (4 pies) por encima del piso.
- **NO** usar **NUNCA** este producto en aplicaciones en las que el contacto humano con el líquido bombeado sea común

 **ADVERTENCIA**



**RIESGO DE DESCARGA ELÉCTRICA - continuación**

- Durante una construcción, si el sistema de bombeo debe instalarse antes de que se pueda enchufar o conectar directamente a su cable de alimentación, todos los cables de alimentación deberán protegerse contra los elementos de la intemperie para evitar que el agua se absorba a través del extremo del cable que entra en la bomba o en las cajas de los interruptores. Si entra agua en estos recintos podría producirse un cortocircuito eléctrico desde la bomba o caja de conexiones, lo que podría electrizar su entorno.

 **ADVERTENCIA**



**RIESGO DE INCENDIO**

- NO usar cables de extensión de alimentación eléctrica con el producto. Los cables de extensión pueden sobrecargar tanto el producto como los cables de alimentación del extensor. Los cables sobrecargados aumentan de temperatura y pueden incendiarse.
- Este producto requiere un circuito de derivación independiente bien soldado y conectado a tierra, que corresponda con el voltaje y el amperaje de la bomba, tal como se indica en la placa. Si los cables del circuito de derivación se sobrecargan aumentarán de temperatura y podrían incendiarse.
- NO usar NUNCA este producto con líquidos inflamables o cerca de ellos. Si los elementos rotatorios dentro de la bomba golpean un objeto extraño, se pueden producir chispas. Las chispas pueden encender líquidos inflamables.

 **ADVERTENCIA**



**RIESGO DE UNA LESIÓN GRAVE O LA MUERTE**

- Este sistema de bomba debe instalarse de acuerdo con todos los códigos y reglamentos aplicables.
- NO se debe permitir que los niños jueguen con el sistema de bombeo.
- NO se debe permitir que un niño o una persona no calificada utilice el sistema de bombeo. Una persona que no conozca los peligros de este sistema de bombeo o que no haya leído este manual, podría fácilmente sufrir una lesión con el sistema de bombeo.
- Se debe llevar el EPP adecuado cuando se trabaje con bombas o tuberías expuestas a aguas residuales. Los sumideros y las bombas de aguas residuales a menudo transportan materiales que pueden transmitir infecciones y enfermedades al entrar en contacto con la piel y otros tejidos.

**AVISO**

- No se debe verter NUNCA materiales como diluyentes de pintura y otros productos químicos en los desagües. Hacerlo podría causar una reacción química y dañar los componentes del sistema de bombeo, lo que causaría el mal funcionamiento o la avería del producto.
- NO se debe usar la bomba con líquidos que sobrepasen los 40°C. Poner a funcionar la bomba en un líquido que sobrepasa esta temperatura puede sobrecalentar la bomba y averiar la bomba.
- NO se debe usar el sistema de bombeo con lodo, arena, cemento, petróleo ni productos químicos. La bomba y los componentes podrían dañarse por causa de estos materiales, lo que causaría el mal funcionamiento o la avería del producto. Además, se podría producir una inundación si estos materiales atascan el rotor o la tubería.
- NO se debe modificar el sistema de bombeo de ninguna manera. Las modificaciones podrían afectar los sellos, alterar la carga eléctrica de la bomba, o dañar la bomba y sus componentes. Las modificaciones podrían anular la garantía de este producto.
- NO se debe poner en marcha el sistema de bombeo en seco.

## 2. Información general

### ESPECIFICACIONES DEL MODELO

Modelo	HP	Voltios	Amperios a carga total	Manipulación de sólidos	Automático o manual	Presión de cierre	Ajuste de interruptor de fábrica	
							Encendido	Apagado
250*	1/3	115	5.2	1/2"	Manual*	22 pies	*	*
251	1/3	115	5.2	1/2"	Automático	22 pies	11"	4-1/2"
253	1/3	115	5.2	1/2"	Automático	22 pies	11"	4-1/2"
257	1/3	115	5.2	1/2"	Automático	22 pies	7"	3-1/2"
250HV*	1/3	230	2.6	1/2"	Manual*	22 pies	*	*
251HV	1/3	230	2.6	1/2"	Automático	22 pies	11"	4-1/2"
257HV	1/3	230	2.6	1/2"	Automático	22 pies	7"	3-1/2"
280*	1/2	115	8.0	3/4"	Manual*	37 pies	*	*
281	1/2	115	8.0	3/4"	Automático	37 pies	13"	7"
283	1/2	115	8.0	3/4"	Automático	37 pies	13"	7"
287	1/2	115	8.0	3/4"	Automático	37 pies	9-1/2"	4"
280HV*	1/2	208-230	4.0	3/4"	Manual*	37 pies	*	*
281HV	1/2	208-230	4.0	3/4"	Automático	37 pies	13"	7"
283HV	1/2	208-230	4.0	3/4"	Automático	37 pies	13"	7"
287HV	1/2	208-230	4.0	3/4"	Automático	37 pies	9-1/2"	4"
290*	3/4	115	10.4	3/4"	Manual*	48 pies	*	*
291	3/4	115	10.4	3/4"	Automático	48 pies	13"	7"
293	3/4	115	10.4	3/4"	Automático	48 pies	13"	7"
297	3/4	115	10.4	3/4"	Automático	48 pies	9-1/2"	4"
290HV*	3/4	208-230	5.3	3/4"	Manual*	48 pies	*	*
291HV	3/4	208-230	5.3	3/4"	Automático	48 pies	13"	7"
293HV	3/4	208-230	5.3	3/4"	Automático	48 pies	13"	7"
297HV	3/4	208-230	5.3	3/4"	Automático	48 pies	9-1/2"	4"
FL31M*	1/3	115	10.5	3/4"	Manual*	19 pies	*	*
FL31A	1/3	115	10.5	3/4"	Automático	19 pies	12"	5"
FL32M*	1/3	208-230	5.5	3/4"	Manual*	19 pies	*	*
FL32A	1/3	208-230	5.5	3/4"	Automático	19 pies	12"	5"
FL51M*	1/2	115	12	3/4"	Manual*	55 pies	*	*
FL51A	1/2	115	12	3/4"	Automático	55 pies	13"	6"
FL52M*	1/2	208-230	6.5	3/4"	Manual*	55 pies	*	*
FL52A	1/2	208-230	6.5	3/4"	Automático	55 pies	13"	6"
FLH61M*	6/10	115	12	3/4"	Manual*	70 pies	*	*
FLH61A	6/10	115	12	3/4"	Automático	70 pies	13"	6"
FL62M*	6/10	208-230	8.2	3/4"	Manual*	65 pies	*	*
FL62A	6/10	208-230	8.2	3/4"	Automático	65 pies	13"	6"
FL63M*	6/10	208-230 3PH	5.6	3/4"	Manual*	65 pies	*	*
FL64M*	6/10	440-480 3PH	2.8	3/4"	Manual*	65 pies	*	*
FL72M*	3/4	208-230	10.5	3/4"	Manual*	77 pies	*	*
FL72A	3/4	208-230	10.5	3/4"	Automático	77 pies	13"	6"
FL73M*	3/4	208-230 3PH	7.5	3/4"	Manual*	77 pies	*	*
FL74M*	3/4	440-480 3PH	3.5	3/4"	Manual*	77 pies	*	*
FL102M*	1	208-230	12	3/4"	Manual*	90 pies	*	*
FL102A	1	208-230	12	3/4"	Automático	90 pies	15"	8"
FL103M*	1	208-230 3PH	9	3/4"	Manual*	90 pies	*	*
FL104M*	1	440-480 3PH	4.5	3/4"	Manual*	90 pies	*	*
FL105M*	1	575 3PH	3.3	3/4"	Manual*	90 pies	*	*
FL152M*	1-1/2	208-230	15	3/4"	Manual*	110 pies	*	*
FL152A	1-1/2	208-230	15	3/4"	Automático	110 pies	15"	8"
FL153M*	1-1/2	208-230 3PH	10.6	3/4"	Manual*	110 pies	*	*
FL154M*	1-1/2	440-480 3PH	5.3	3/4"	Manual*	110 pies	*	*
FL155M*	1-1/2	575 3PH	4.9	3/4"	Manual*	110 pies	*	*
FL202M*	2	208-230	15	3/4"	Manual*	130 pies	*	*
FL202A	2	208-230	15	3/4"	Automático	130 pies	15"	8"
FL203M*	2	208-230 3PH	10.6	3/4"	Manual*	130 pies	*	*
FL204M*	2	440-480 3PH	5.3	3/4"	Manual*	130 pies	*	*
FL205M*	2	575 3PH	4.9	3/4"	Manual*	130 pies	*	*

\* Nota: Los modelos manuales (con sufixo "M") y los modelos trifásicos, según se designaron anteriormente, requieren de un dispositivo o panel de control de bombas aprobado separado para el accionamiento automático. El accionamiento de estos modelos dependerá del control seleccionado. Asegúrese de que las especificaciones eléctricas del control seleccionado correspondan con las especificaciones eléctricas de la bomba. Los modelos trifásicos requieren de elementos de sobrecarga seleccionados o ajustados de acuerdo con las instrucciones del control o panel.

**ADVERTENCIA:** Al usar un cable de alimentación de repuesto, asegúrese de que tenga la misma longitud y sea del mismo tipo que el cable instalado originalmente en el producto Liberty. Un cable con calibre o longitud incorrectos podría llevar a que se excedan los valores eléctricos nominales del cable y provocar la muerte, lesiones, incendios u otros fallos significativos.

### 3. Aplicaciones de desagüe / sumidero

1. Para aplicaciones ordinarias de bombeo de agua subterránea, se recomienda un sumidero con un mínimo de 14" de diámetro. Se pueden usar los modelos de flotador vertical (VMF) (257, 287 y 297) en un sumidero con un mínimo de 10" de diámetro; sin embargo, se prefiere una fosa de diámetro mayor, ya que permite un ciclo de bombeo más prolongado y un ciclo de conmutación reducido. La profundidad mínima de la fosa debe ser de 18".
2. Si la fosa no está ya confinada en el fondo, construya un fondo duro de ladrillos u hormigón. NO coloque la bomba directamente sobre la tierra, grava o el escombros, ya que esto puede provocar desgaste excesivo del rotor y posiblemente ocasione un atoramiento. «**The Brick**» (vendido por Liberty Pumps como pieza No. 4445000) es una plataforma estable premoldeada diseñada para adaptarse a su bomba sumergible. Eleva la bomba 2.5" sobre el fondo de la fosa, lo que reduce la posibilidad de atoramiento debido a piedras o escombros. Comuníquese con su distribuidor local para pedirlo. Retire todo escombros del fondo del sumidero antes de instalar la bomba. Se recomienda una cubierta para sumidero por motivos de seguridad y para prevenir que entren objetos extraños en la fosa.
3. Coloque la bomba en la fosa, asegurándose de que el interruptor tenga el espacio suficiente y que no se atorará en la pared de la fosa. El flotador debe tener **libertad de movimiento en su recorrido** y no hacer contacto con el cuerpo de la bomba, la tubería u otros objetos. Se proporciona una conexión de descarga enroscada de 1-1/2" para conectar con el tubo de descarga. No reduzca el tamaño de la conexión de descarga a menos de 1-1/2". Se recomienda un tubo de PVC cédula 40; sin embargo, para instalaciones temporales es posible usar los juegos de manguera de descarga flexible.
4. Conecte el tubo o la manguera de descarga a la conexión de descarga de la bomba. **APRIETE A MANO ÚNICAMENTE**. Si aprieta demasiado, podría provocar que la carcasa de la bomba se agriete. Instale una unión u otro medio para separar el conducto de descarga justo arriba del piso a fin de facilitar el retiro de la bomba en caso de que fuese necesario. Se recomienda una válvula de retención justo arriba o en lugar de la unión con el fin de impedir el contraflujo del agua después de cada ciclo de bombeo. (Todas las bombas de efluentes/desagüe Liberty vienen equipadas con un agujero de purga de aire en la base para impedir un bloqueo por aire. Durante el accionamiento de la bomba, es normal que salga un pequeño rocío de agua de este agujero.)
5. Conecte la tubería adicional, según sea necesario, para dirigir la descarga al sitio deseado. La descarga debe ser lo más corta posible, con un mínimo de giros. Por motivos de seguridad, revise todas las conexiones.
6. Instale una unión u otro medio para separar el tubo de descarga justo arriba del piso a fin de facilitar el retiro de la bomba en caso de que fuese necesario. **Se recomienda una válvula de retención justo arriba o en lugar de la unión con el fin de impedir el contraflujo del agua después de cada ciclo de bombeo.**
7. Si se usa una válvula de retención, **se debe taladrar un agujero contra bloqueo por aire de 1/8" en el tubo de descarga, justo arriba de la salida de descarga de la bomba, a fin de impedir el bloqueo por aire (consulte la fig. 1).**

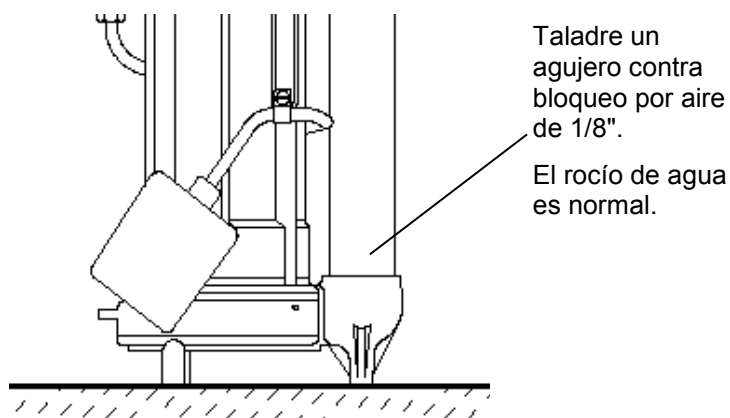


Fig. 1 – Anti-airlock hole position

8. Para mayor protección, considere añadir una bomba de respaldo, como el **SumpJet SJ10 de Liberty**, así como una alarma, como la **ALM-2 de Liberty**, en aplicaciones en que la pérdida de la función de bombeo pudiera ocasionar daños materiales. Si se usa una alarma, ésta debe conectarse a un circuito eléctrico separado.



## 4. Aplicaciones de efluentes

No se recomiendan los modelos de flotador magnético vertical (VMF) (257, 287 y 297) para las aplicaciones de efluentes, debido a que su ciclo de activado/desactivado es muy breve. Los flotadores de ángulo ancho son mejores para las aplicaciones de efluentes y se ajustan fácilmente a los diferentes niveles de activado/desactivado.

La fosa requerida para las aplicaciones de efluentes debe estar sellada y ventilada para cumplir con los requisitos del código de salud y plomería. El tamaño y los materiales adecuados de la fosa para las aplicaciones de efluentes varían en función del tipo de sistema de efluentes y los códigos locales. Consulte con el funcionario de códigos locales antes de comprar e instalar la fosa. Siga las pautas recomendadas por el fabricante al instalar su fosa particular. Se requiere como mínimo un diámetro de 18" y una profundidad de 24" para el funcionamiento correcto de la bomba, pero se prefieren fosas mayores para los ciclos de bombeo más largos y para una vida útil más larga del interruptor. La instalación se deberá realizar a una profundidad suficiente como para que todas las tuberías queden por debajo de la línea de penetración de la helada. Si esto no es posible, elimine la válvula de retención y modifique el tamaño de la fosa o ajuste el diferencial de la bomba para dar cabida al contraflujo adicional.

### ADVERTENCIA

Estas bombas no deberán instalarse en sitios clasificados como peligrosos en conformidad con la National Electric Code ANSI/NFPA 70, o donde lo

- A. **Sistemas simples (una bomba) (consulte la fig. 2):** Coloque la bomba y asegúrese de que el flotador tenga la distancia suficiente con las paredes de la fosa. El flotador debe **tener libertad de movimiento en su recorrido** y no hacer contacto con el cuerpo de la bomba, la tubería u otros objetos. Si se usa un dispositivo de control o flotador opcional, siga las direcciones de montaje que acompañan al control opcional. Conecte el tubo de descarga a la conexión de descarga enroscada en la bomba. **IMPORTANTE: NO REDUZCA EL TAMAÑO DEL TUBO DE DESCARGA MÁS DEL QUE YA TIENE EN LA BOMBA.** Comuníquese con Liberty Pumps u otra persona cualificada si tiene alguna pregunta acerca de los tamaños adecuados del tubo y sobre las velocidades de flujo. Monte la cubierta de la fosa y asegúrese de que esté sellada correctamente.

**Instalación de la descarga :** Una vez montada la bomba, instale el conducto de descarga. Se deberá instalar una unión a fin de facilitar el retiro de la bomba, si fuera necesario. Se recomienda una válvula de retención tipo columpio y de flujo libre después de la unión para impedir el contraflujo del líquido después de cada ciclo de bombeo. Después de la válvula de retención debe haber una válvula de tajadera para permitir la limpieza periódica de la válvula de retención o el retiro de la bomba. El resto del conducto de descarga debe ser lo más corto posible y con un mínimo de giros a fin de minimizar la pérdida de presión por fricción. Comuníquese con Liberty Pumps u otra persona cualificada si tiene alguna pregunta acerca de los tamaños adecuados del tubo y sobre las velocidades de flujo.

(Todas las bombas de efluentes/desagüe Liberty vienen equipadas con un agujero de purga de aire en la base para impedir un bloqueo por aire. Durante el accionamiento de la bomba, es normal que salga un pequeño rocío de agua de este agujero.)

- B. **Sistemas doble (dos bombas) (consulte la fig. 3):** Coloque ambas bombas en su lugar, al fondo de la fosa. El control doble usado incluirá 3 o 4 flotadores que estarán atados a uno de los tubos de descarga o a una varilla o soporte independiente. Siga las instrucciones provistas con su dispositivo de control doble. Cada uno de los flotadores debe tener **libertad de movimiento en su recorrido** y no hacer contacto con el cuerpo de la bomba, la tubería u otros objetos. Conecte un tubo de descarga individual a cada bomba.

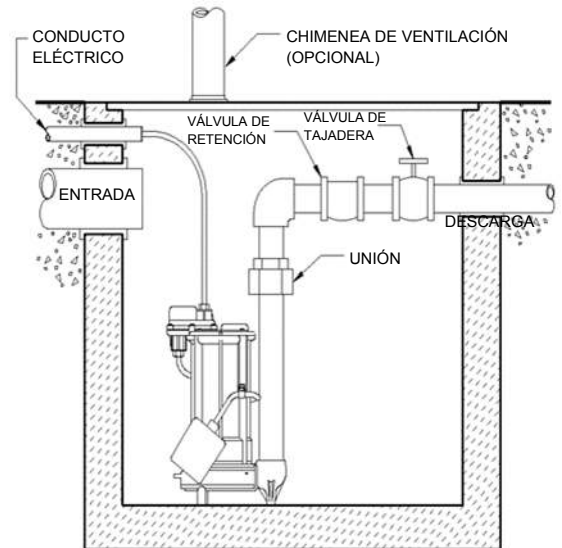


Fig. 2 – Instalación típica de sistema simple

Esto es únicamente una instalación recomendada.

Pueden Presentarse variaciones.

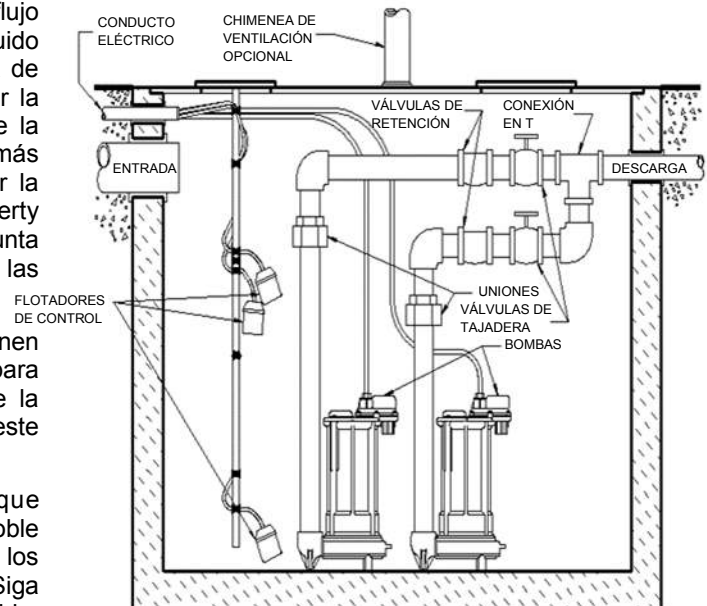


Fig. 3 – Instalación típica de sistema doble

Esto es únicamente una instalación recomendada.

Pueden presentarse variaciones.

**IMPORTANTE: NO REDUZCA EL TAMAÑO DEL TUBO DE DESCARGA MÁS DEL QUE YA TIENE EN LA BOMBA.** Comuníquese con Liberty Pumps u otra persona cualificada si tiene alguna pregunta acerca de los tamaños adecuados del tubo y sobre las velocidades de flujo. Para eliminar el reciclado de fluido en instalaciones doble, es necesario tener una válvula de retención en cada conducto de descarga antes de unir las dos descargas y formar un conducto común. En función de la altura de la fosa, es posible instalar las válvulas de retención en el interior de la fosa o el exterior. Monte la o las cubiertas de la fosa y asegúrese de que estén selladas correctamente.

**Instalación de la descarga restante:** Se deben instalar uniones o conectores flexibles para facilitar el retiro de la bomba, si fuera necesario. Se deben instalar válvulas de retención tipo columpio y de flujo libre en cada descarga después de la unión y antes de la válvula de tajadera a fin de impedir el contraflujo del líquido o gas. Para impedir el reciclado de fluido de una bomba a otra, es necesario tener una válvula de retención en cada conducto de descarga antes de unir las dos descargas y formar un conducto común. Se recomienda una válvula de tajadera después de la válvula de retención para permitir la limpieza periódica de la válvula de retención o el retiro de la bomba. El resto del conducto de descarga debe ser lo más corto posible y tener un mínimo de giros a fin de minimizar la pérdida de presión por fricción. Comuníquese con Liberty Pumps u otra persona cualificada si tiene alguna pregunta acerca del tamaño de tubo adecuado y sobre las velocidades de flujo. (Todas las bombas de efluentes/desagüe Liberty vienen equipadas con un agujero de purga de aire en la base para impedir un bloqueo por aire. Durante el accionamiento de la bomba, es normal que salga un pequeño rocío de agua de este agujero.)

## 5. Servicio eléctrico y accionamiento

### ⚠ ADVERTENCIA

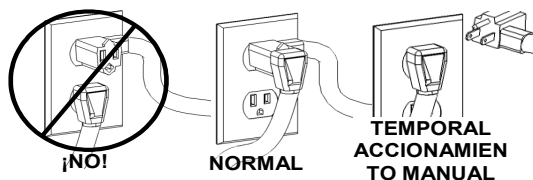
- **Riesgo de descarga eléctrica.** Desconecte la bomba del suministro eléctrico siempre que vaya a manipularla o a realizar algún ajuste.
- Solo personal cualificado deberá encargarse de instalar las conexiones y los cables eléctricos necesarios para montar la bomba.
- La bomba viene con un conductor de puesta a tierra o un enchufe con descarga a tierra. Para reducir el riesgo de descargas eléctricas, asegúrese de que el conductor de puesta a tierra esté conectado únicamente a un panel de control adecuadamente puesto a tierra o, si viene con un enchufe de descarga a tierra, que esté conectado a un receptáculo adecuadamente puesto a tierra.
- NO derive los cables de conexión a tierra ni retire las espigas de los enchufes.
- NO use cables de extensión.
- Con esta bomba hay que utilizar un circuito derivado independiente, debidamente conectado tierra y con fusibles adecuados. Asegúrese que la fuente de alimentación tenga suficiente capacidad para cumplir los requisitos de tensión y amperaje del motor, según se indica en la placa de la bomba.
- La toma de corriente o el panel deberá encontrarse al alcance del cable de alimentación de la bomba y a 4 pies como mínimo por encima del nivel del suelo para evitar problemas en caso de inundación.

### ⚠ CAUTION

Si existe el riesgo de daños materiales debido a niveles elevados de agua, se debe instalar una alarma de aguas altas o un sistema de bombeo de respaldo independiente.

Todos los modelos automáticos de la serie FL (designados con la letra «A») y los modelos 253, 283 y 293 vienen con un interruptor de flotador preinstalado en la bomba. Estos modelos vienen con dos cables: uno que va dirigido al interruptor de flotador y otro que va al motor de la bomba. El cable del interruptor tiene un enchufe en serie que permite que el cable (del motor) de la bomba se enchufe en la parte posterior del mismo. La finalidad de este diseño es posibilitar el accionamiento manual de la bomba.

**Para el accionamiento manual,** o en caso de un fallo del interruptor, el cable de la bomba puede separarse y enchufarse en el tomacorrientes, y circunvalar directamente el interruptor (**consultar fig. 4**).



**Fig. 4 – Accionamiento manual temporal**

**Para el accionamiento automático** con el interruptor suministrado por Liberty, los dos cables deben interconectarse y enchufarse en un tomacorrientes independiente, puesto a tierra y con fusible que tenga la capacidad de amperios adecuada para el modelo de bomba seleccionado. (Consulte la Sección 1, Información general o la placa de la bomba para conocer las especificaciones eléctricas de su modelo.) Ambos cables vienen equipados con enchufes de 3 clavijas y deben enchufarse en un tomacorrientes con puesta a tierra. **NO RETIRE LAS CLAVIJAS DE PUESTA A TIERRA.**

**⚠ ADVERTENCIA** Las bombas monofásicas de 208-230 V se accionarán únicamente sin el interruptor de flotador usando el disyuntor o el interruptor de desconexión del panel.

**⚠ CAUTION** No permita que la bomba se accione en seco.

Los niveles de activado/desactivado variarán en función del modelo. (Consulte el gráfico con las especificaciones del modelo en la página 3 para conocer el nivel predeterminado en fábrica de su modelo particular.) Es posible obtener otros diferenciales de bombeo al atar el cable del interruptor al tubo de descarga. **NOTA:** Se requiere de un cable con una longitud mínima de 3-1/2" desde el punto de sujeción hasta la superficie superior del flotador para una operación de conmutación adecuada. Si utiliza un diferencial distinto a la determinada en la fábrica, asegúrese de que cuando la bomba se desactive quede al menos 3-1/2" de fluido en la fosa a fin de que el rotor permanezca sumergido. **(Los modelos 251, 257, 281, 287, 291, y 297 cuentan con interruptores preconfigurados en fábrica y que no se pueden ajustar.)**

Las bombas manuales sin interruptor fueron diseñadas para funcionar con un control de nivel de líquido aprobado o un control de motor aprobado, y con la tensión correcta que corresponda a la entrada del motor en amperios a plena carga. Independientemente del tipo de control, asegúrese de que cuando la bomba se desactive quede al menos 3-1/2" de fluido en la fosa a fin de que el rotor permanezca sumergido.

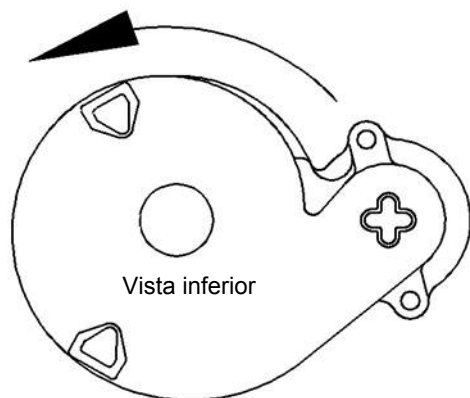
**NOTA: Para el accionamiento automático con dispositivos de control opcionales:** Si la o las bombas se accionan con un panel de control simple o doble u otro dispositivo de control opcional, siga las instrucciones de instalación provistas con el control y realice las conexiones eléctricas de acuerdo con dichas instrucciones. Si es necesario, es posible accionar ciertos

**⚠ ADVERTENCIA** Las bombas monofásicas de 208-230 V se accionarán únicamente sin el interruptor de flotador usando el disyuntor o el interruptor de desconexión del panel.

**⚠ CAUTION** No permita que la bomba se accione en seco.

### **3 Modelos de bomba trifásicos (FL63, FL64, FL73, FL74, FL103, FL104, FL105, FL153, FL154, FL155, FL203, FL204, FL205)**

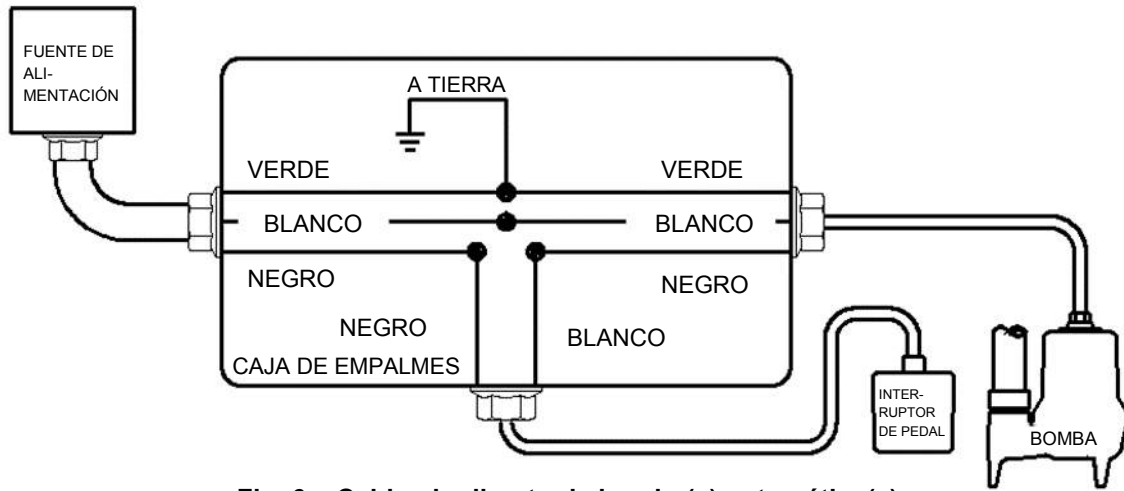
**⚠ CAUTION** En el caso de las bombas trifásicas, compruebe que la rotación vaya en la dirección correcta antes de instalarlas en la fosa (**consulte la fig. 5**).



Si se trata de una bomba trifásica, compruebe que la rotación vaya en la dirección correcta antes de instalarla en la fosa. Para cambiar la rotación, invierta dos de los tres latiguillos de alimentación de la bomba. Marque los cables después de la instalación para poder volver a conectarlos.

**Fig. 5 – Giro correcto del rotor, modelos trifásicos**

Si se va a cablear una bomba monofásica directamente a un dispositivo de control o caja de empalmes, y es necesario eliminar los enchufes, busque que un electricista certificado efectúe el cableado de acuerdo con la National Electric Code y los códigos locales correspondientes. Consulte la **fig. 6** para conocer el cableado directo de bombas automáticas monofásicas.



**Fig. 6 – Cableado directo de bomba(s) automática(s) monofásicas de 120 V o 208-230 V**

**⚠ ADVERTENCIA**

**Para instalaciones de 208-230 V:** Instale un interruptor de desconexión bipolar. El lado del conducto que va a la bomba está siempre «vivo», sea que el conmutador de flotador esté en la posición de «activado» o «desactivado». El uso de un interruptor de desconexión bipolar permitirá desenergizar ambas

## 6. Mantenimiento

**⚠ ADVERTENCIA**

**Riesgo de descarga eléctrica.** Desconecte la bomba de la fuente de alimentación siempre que vaya a manipularla o a realizar algún ajuste.

**⚠ ADVERTENCIA**

**Desconecte la bomba de su fuente de alimentación siempre que vaya a manipularla.** Esta guía está diseñada para ayudar a identificar las causas de posibles problemas en el accionamiento. No es una guía de servicio. **Desmantelar la bomba anula la garantía.** El servicio de mantenimiento de la bomba que no sea una simple limpieza de la entrada de la bomba o del rotor deberá reservarse para

1. **Modelos sumergibles:** Los modelos de bombas sumergibles tienen cojinetes sellados y lubricados de modo permanente, de modo que no requieren de lubricación adicional.
2. **Es necesario verificar frecuentemente que no haya escombros o acumulación que pudiera interferir con la operación de la bomba o del interruptor del flotador.** El flotador debe tener movimiento libre durante todo su recorrido, sin restricción alguna. Vierta agua suficiente en el sumidero para activar la bomba periódicamente (al menos cada 3 meses), fuera de su uso normal, con la finalidad de verificar su

**NOTA: El fabricante no asume ninguna responsabilidad de los daños o las lesiones producidos por el**

## 7. Diagnóstico de problemas

Problema	Causa	Solución
La bomba no funciona	<ul style="list-style-type: none"> <li>Fusible quemado u otra interrupción del suministro eléctrico; tensión incorrecta.</li> </ul>	<ul style="list-style-type: none"> <li>Verifique que la unidad esté bien enchufada. Pida a un electricista que verifique que todos los cables estén correctamente conectados y que tengan la tensión y la capacidad correctas.</li> </ul>
	<ul style="list-style-type: none"> <li>El interruptor no puede moverse a la posición «activada» debido a interferencia con el costado de la cubeta u otra obstrucción.</li> </ul>	<ul style="list-style-type: none"> <li>Posicione la bomba o el interruptor de modo que tenga el espacio adecuado para un funcionamiento libre.</li> </ul>
	<ul style="list-style-type: none"> <li>Nivel de líquido insuficiente.</li> </ul>	<ul style="list-style-type: none"> <li>Asegúrese de que el nivel del líquido pueda subir lo suficiente para activar el o los interruptores.</li> </ul>
	<ul style="list-style-type: none"> <li>Interruptor defectuoso.</li> </ul>	<ul style="list-style-type: none"> <li>Retire y sustituya el interruptor.</li> </ul>
La bomba no se apaga.	<ul style="list-style-type: none"> <li>El o los interruptores no pueden moverse a la posición «desactivada» debido a interferencia con el costado de la fosa</li> </ul>	<ul style="list-style-type: none"> <li>Posicione la bomba o el interruptor de modo que tenga el espacio adecuado para un funcionamiento libre.</li> </ul>
	<ul style="list-style-type: none"> <li>Interruptor defectuoso.</li> </ul>	<ul style="list-style-type: none"> <li>Retire y sustituya el interruptor.</li> </ul>
La bomba funciona o zumba pero no bombea.	<ul style="list-style-type: none"> <li>El conducto de desagüe está atascado.</li> </ul>	<ul style="list-style-type: none"> <li>Compruebe que no hayan materiales extraños en el conducto de desagüe, incluyendo hielo, si el conducto pasa por áreas frías.</li> </ul>
	<ul style="list-style-type: none"> <li>Compruebe que la válvula no haya quedado cerrada y encallada o esté instalada al revés.</li> </ul>	<ul style="list-style-type: none"> <li>Retire la o las válvulas de retención y revíselas para asegurarse de que funcionen sin obstrucción y que se hayan instalado correctamente.</li> </ul>
	<ul style="list-style-type: none"> <li>La válvula de bola o tajadera está cerrada.</li> </ul>	<ul style="list-style-type: none"> <li>Abra la válvula de bola o tajadera.</li> </ul>
	<ul style="list-style-type: none"> <li>La elevación completa supera la capacidad de la bomba.</li> </ul>	<ul style="list-style-type: none"> <li>Intente dirigir las tuberías a un nivel inferior. Si no es posible, puede ser necesaria una bomba de mayor capacidad. <b>Consulte al fabricante.</b></li> </ul>
	<ul style="list-style-type: none"> <li>El rotor de la bomba está atascado o la carcasa de la voluta está obstruida.</li> </ul>	<ul style="list-style-type: none"> <li>*Quite la bomba de la fosa. Desacople la base de la bomba y limpie el área alrededor del rotor. Vuelva a ensamblar y a instalar.</li> </ul>
La bomba se acciona periódicamente cuando los dispositivos no están en uso.	<ul style="list-style-type: none"> <li>Verifique que la válvula esté instalada, que no esté atascada en posición abierta y que no tenga una</li> </ul>	<ul style="list-style-type: none"> <li>Retire la o las válvulas de retención y revíselas para asegurarse de que funcionen sin obstrucción y que se hayan instalado</li> </ul>
	<ul style="list-style-type: none"> <li>Los dispositivos tienen fugas.</li> </ul>	<ul style="list-style-type: none"> <li>Repare los dispositivos según sea necesario para eliminar las fugas.</li> </ul>
La bomba funciona ruidosamente.	<ul style="list-style-type: none"> <li>Hay objetos extraños en la cavidad del rotor.</li> </ul>	<ul style="list-style-type: none"> <li>*Quite la bomba de la fosa. Desacople la base de la bomba y limpie el área alrededor del rotor. Vuelva a ensamblar y a instalar.</li> </ul>
	<ul style="list-style-type: none"> <li>Rotor averiado.</li> </ul>	<ul style="list-style-type: none"> <li>Consulte a la fábrica para obtener información sobre el reemplazo del rotor.</li> </ul>
	<ul style="list-style-type: none"> <li>Cojinetes desgastados.</li> </ul>	<ul style="list-style-type: none"> <li>Devuelva la bomba a la fábrica o a una estación de reparación autorizada para su arreglo.</li> </ul>
	<ul style="list-style-type: none"> <li>Los acoplamientos de tubería a edificio son demasiado rígidos.</li> </ul>	<ul style="list-style-type: none"> <li>Sustituya una parte del conducto de descarga con una manguera o conector de caucho.</li> </ul>

## 8. Garantía limitada de 3 años

**\*NOTA:** Liberty Pumps, Inc. no asume ninguna responsabilidad de los daños o las lesiones producidos por el desarme fuera de la instalación. El desarme realizado fuera de las instalaciones de Liberty Pumps o sus centros de servicio autorizados anula automáticamente la garantía.

Liberty Pumps, Inc. garantiza que las bombas que fabrica están libres de defectos en los materiales y la mano de obra por un período de 3 años a partir de la fecha de compra. La fecha de compra se determinará con el recibo de compra fechado, que incluya el modelo y el número de serie de la bomba. El recibo deberá acompañar a la bomba si la fecha de retorno es más de 3 años a partir de la "CODE" (fecha de fabricación) indicada en la placa de la bomba.

Las obligaciones del fabricante bajo esta garantía se limitan a la reparación o el reemplazo de las piezas que el fabricante determine defectuosas, siempre que la pieza o el ensamblaje se devuelva al fabricante o a uno de sus centros de servicio autorizados a portes pagados y que no se evidencie ninguna de las siguientes características, lo que supondría la anulación de la garantía.

El fabricante no tendrá obligación alguna bajo esta garantía si el producto no ha sido instalado correctamente; si ha sido desmontado, modificado, abusado o forzado; si el cable eléctrico se ha cortado, dañado o empalmado; si se redujo el tamaño de la descarga de la bomba; si la bomba se usó con agua más caliente que la temperatura nominal, o agua con arena, cal, cemento, grava u otros elementos abrasivos; si la bomba ha sido utilizada para bombear productos químicos o hidrocarburos; si un motor no sumergible ha sido sometido a un exceso de humedad; o si se ha retirado la etiqueta con el número de serie y el código. Liberty Pumps, Inc. no se hace responsable de pérdidas, daños o gastos causados por la instalación o uso de sus productos, o por daños consecuentes, incluidos los costos de desmontaje, reinstalación o transporte de la unidad.

No se ofrece ninguna otra garantía expresa. Todas las garantías implícitas, incluidas las de comerciabilidad y adecuación para un propósito determinado, están limitadas a un plazo de tres años a partir de la fecha de compra.

Esta garantía contiene el resarcimiento exclusivo del comprador y, donde sea permitido, se excluye toda responsabilidad por daños secundarios y consecuentes bajo cualquier otra garantía.



7000 Apple Tree Avenue  
Bergen, NY 14416  
Teléfono: (800) 543-2550  
Fax: (585) 494-1839  
[www.libertypumps.com](http://www.libertypumps.com)

## Pompes submersibles à gros débit pour effluents ou assèchement

\* Ne pas jeter ni perdre ce manuel.

### Modèles

Série 250	1/3 HP
Série 280	1/2 HP
Série 290	3/4 HP
Série FL30	1/3 HP
Série FL50	1/2 HP
Série FLH60	6/10 HP
Série FL60	6/10 HP
Série FL70	3/4 HP
Série FL100	1 HP
Série FL150	1-1/2 HP
Série FL200	2 HP



### Table des matières

- Renseignements de sécurité
- Renseignements généraux
- Évacuation des effluents ou assèchement
- Évacuation des effluents
- Entretien et fonctionnement des composants électriques
- Entretien et dépannage
- Garantie

**Liberty Pumps®**

7000 Apple Tree Avenue

Bergen (NY) 14416

Téléphone : (800) 543-2550

Télécopieur : (585) 494-1839

www.libertypumps.com



**Installer: Please leave this manual with the owner/operator for future reference.**








**Prior to installation, record Model, Serial Number, and Code Number from pump nameplate for future reference.**

**MODEL:** \_\_\_\_\_

**SERIAL:** \_\_\_\_\_

**INSTALLATION DATE:** \_\_\_\_\_

# 1. Renseignements de sécurité

	Ce symbole d'alerte de sécurité dans le manuel ou sur la pompe est destiné à vous avertir d'un danger potentiel de blessures ou de décès.
	Il s'agit d'un symbole d'alerte avertissant d'un <b>danger d'électrocution</b> . Il est accompagné de directives destinées à réduire le danger potentiel d'électrocution.
	Il s'agit d'un symbole d'alerte avertissant d'un <b>danger d'incendie</b> . Il est accompagné de directives destinées à réduire le danger potentiel d'incendie.
	Il s'agit d'un symbole d'alerte avertissant d'un <b>danger de blessures ou de décès</b> . Il est accompagné de directives destinées à réduire le danger potentiel de blessures ou de décès.
 <b>DANGER</b>	Avertit de dangers qui <b>vont</b> causer des blessures graves ou mortelles.
 <b>AVERTISSEMENT</b>	Avertit de dangers qui <b>peuvent ou vont</b> causer des blessures mineures ou modérées.
 <b>ATTENTION</b>	Avertit de dangers qui <b>peuvent</b> causer des blessures, la mort ou des dommages matériels.
<b>AVIS</b>	Signale une importante directive relative à la pompe. Négliger de respecter ces directives peut causer la défaillance des composants de la pompe, le mauvais fonctionnement de l'appareil et possiblement des dommages matériels.

## **AVERTISSEMENT**

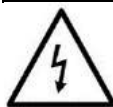


**DANGER D'ÉLECTROCUTION** – Le contact accidentel avec des pièces, des accessoires, des liquides ou de l'eau sous tension peut causer des blessures graves ou la mort.

- TOUJOURS débrancher la (les) pompe(s) fournie(s) de leurs sources d'alimentation avant de manipuler ou d'effectuer des réglages au niveau de la (des) pompe(s), du système de pompe, ou du panneau de commande.
- Seuls des techniciens qualifiés doivent effectuer les raccordements fixes et électriques en respectant tous les codes locaux et nationaux de l'électricité pour assurer une installation adéquate du système de pompe.
- Après l'installation, s'assurer que la pompe est adéquatement mise à la terre à l'aide du conducteur de mise à la terre fourni. À défaut d'une mise à la terre correcte du système de pompe, des courants électriques peuvent se propager à toutes les parties métalliques de la pompe et de l'espace environnant.
- Lors d'inondations, les raccordements électriques submergés peuvent générer des courants électriques dans l'eau. Toujours porter des bottes de caoutchouc diélectrique et d'autres accessoires de protection personnelle lorsque le plancher est mouillé et qu'il faut effectuer l'entretien d'une pompe sous tension. **NE PAS PÉNÉTRER DANS L'EAU** si le niveau est supérieur au niveau de protection assuré par l'équipement de protection personnel ou si celui-ci n'est pas étanche.
- **NE JAMAIS** soulever ou transporter une pompe ou un module de flotteur par son cordon d'alimentation. Cela endommagera le cordon d'alimentation et pourrait exposer les fils électriques sous tension à l'intérieur du cordon.
- **NE PAS** contourner les câbles de mise à la terre.
- La prise d'alimentation électrique doit se trouver à la portée du cordon d'alimentation de la pompe et à au moins 1,22 m (4 pi) au-dessus du niveau du plancher dans le cas des installations sous le niveau du sol.
- **NE JAMAIS** utiliser ce produit pour les installations où le contact humain avec les liquides pompés est fréquent (comme les piscines, fontaines, zones marines, etc.).



 **AVERTISSEMENT**



**DANGER D'ÉLECTROCUTION, suite...**

- Durant la construction, si le système de pompe est installé avant qu'il ne soit possible de le brancher ou de l'alimenter directement, il est important de protéger tous les cordons d'alimentation de l'environnement afin d'empêcher que de l'eau ne pénètre dans les boîtiers de la pompe ou de l'interrupteur par l'extrémité du cordon. Si de l'eau pénètre dans ces boîtiers, un court-circuit peut se produire à partir de la pompe ou de l'interrupteur et se propager à l'espace environnant, ce qui le chargera d'électricité.

 **AVERTISSEMENT**



**DANGER D'INCENDIE**

- NE PAS utiliser de rallonge électrique pour alimenter le produit. Les rallonges électriques peuvent causer une surcharge du produit et de ses propres fils d'alimentation. Les fils surchargés peuvent devenir très chauds et prendre feu.
- Ce produit nécessite un circuit de dérivation dédié correctement protégé par un fusible, mis à la terre et dont la puissance est suffisante pour répondre aux exigences de tension et d'intensité du courant électrique de la pompe, tel qu'indiqué sur la plaque signalétique. Les circuits de dérivation surchargés peuvent devenir très chauds et prendre feu.
- NE PAS utiliser ce produit pour pomper des liquides inflammables ou à proximité. Si les composants pivotants à l'intérieur de la pompe heurtent un corps étranger, cela peut produire des étincelles. Ces étincelles peuvent enflammer des liquides inflammables.

 **AVERTISSEMENT**



**DANGER DE BLESSURES GRAVES OU MORTELLES**

- Ce système de pompe doit être installé en respectant tous les codes locaux et règlements en vigueur.
- NE PAS laisser les enfants jouer avec le système de pompe.
- NE PAS laisser les enfants ou toute personne non qualifiée utiliser le système de pompe. Toute personne non consciente des dangers représentés par ce système de pompe, ou qui n'a pas lu ce manuel, peut facilement être blessée par le système de pompe.
- Porter des vêtements protecteurs adéquats pour manipuler une pompe ou de la tuyauterie ayant déjà servi à évacuer des eaux usées. Les pompes de puisard et de système d'égout traitent souvent des matières pouvant transmettre des maladies par contact avec la peau et les autres tissus.
- NE PAS retirer les étiquettes de la pompe ou des cordons.

**AVIS**

- NE JAMAIS disposer de matériaux comme du solvant à peinture ou d'autres produits chimiques en les vidant dans l'avaloir. Ils peuvent attaquer chimiquement et endommager les composants de la pompe et causer son mauvais fonctionnement ou sa défaillance.
- NE PAS utiliser ces pompes avec des liquides dont la température est supérieure à 40 °C. Le pompage de liquides plus chauds peut faire surchauffer la pompe et causer sa défaillance.
- NE PAS utiliser le système de pompe avec de la boue, du sable, du ciment, du pétrole ou des produits chimiques. Les composants de la pompe et du système peuvent être endommagés par ces éléments et causer un mauvais fonctionnement ou une défaillance du produit. De plus, une inondation peut se produire si ces matières bloquent le rotor ou les canalisations.
- NE PAS modifier le système de pompe de quelque façon que ce soit. Les modifications peuvent affecter les joints d'étanchéité, modifier la charge électrique de la pompe ou endommager la pompe et ses composants. Les modifications peuvent annuler la garantie protégeant ce produit.
- NE PAS faire fonctionner ce système de pompe à sec.

# 2. Renseignements généraux

## CARACTÉRISTIQUES DU MODÈLE

Modèle	HP	Volts	Intensité maximale	Tolérance des solides	Automatique ou manuel	Hauteur de chute d'arrêt	Réglage de l'interrupteur en usine	
							Démarrage	Arrêt
250*	1/3	115	5,2	13 mm (½ po)	Manuel*	6,7 m (22 pi)	-	-
251	1/3	115	5,2	13 mm (½ po)	Automatique	6,7 m (22 pi)	27,9 cm (11 po)	11,4 cm (4½ po)
253	1/3	115	5,2	13 mm (½ po)	Automatique	6,7 m (22 pi)	27,9 cm (11 po)	11,4 cm (4½ po)
257	1/3	115	5,2	13 mm (½ po)	Automatique	6,7 m (22 pi)	17,8 cm (7 po)	8,9 cm (3½ po)
250HV*	1/3	230	2,6	13 mm (½ po)	Manuel*	6,7 m (22 pi)	-	-
251HV	1/3	230	2,6	13 mm (½ po)	Automatique	6,7 m (22 pi)	27,9 cm (11 po)	11,4 cm (4½ po)
257HV	1/3	230	2,6	13 mm (½ po)	Automatique	6,7 m (22 pi)	17,8 cm (7 po)	8,9 cm (3½ po)
280*	½	115	8,0	19 mm (¾ po)	Manuel*	11,3 m (37 pi)	-	-
281	½	115	8,0	19 mm (¾ po)	Automatique	11,3 m (37 pi)	33 cm (13 po)	17,8 cm (7 po)
283	½	115	8,0	19 mm (¾ po)	Automatique	11,3 m (37 pi)	33 cm (13 po)	17,8 cm (7 po)
287	½	115	8,0	19 mm (¾ po)	Automatique	11,3 m (37 pi)	24,1 cm (9½ po)	10,2 cm (4 po)
280HV*	½	208-230	4,0	19 mm (¾ po)	Manuel*	11,3 m (37 pi)	-	-
281HV	½	208-230	4,0	19 mm (¾ po)	Automatique	11,3 m (37 pi)	33 cm (13 po)	17,8 cm (7 po)
283HV	½	208-230	4,0	19 mm (¾ po)	Automatique	11,3 m (37 pi)	33 cm (13 po)	17,8 cm (7 po)
287HV	½	208-230	4,0	19 mm (¾ po)	Automatique	11,3 m (37 pi)	24,1 cm (9½ po)	10,2 cm (4 po)
290*	¾	115	10,4	19 mm (¾ po)	Manuel*	14,6 m (48 pi)	-	-
291	¾	115	10,4	19 mm (¾ po)	Automatique	14,6 m (48 pi)	33 cm (13 po)	17,8 cm (7 po)
293	¾	115	10,4	19 mm (¾ po)	Automatique	14,6 m (48 pi)	33 cm (13 po)	17,8 cm (7 po)
297	¾	115	10,4	19 mm (¾ po)	Automatique	14,6 m (48 pi)	24,1 cm (9½ po)	10,2 cm (4 po)
290HV*	¾	208-230	5,3	19 mm (¾ po)	Manuel*	14,6 m (48 pi)	-	-
291HV	¾	208-230	5,3	19 mm (¾ po)	Automatique	14,6 m (48 pi)	33 cm (13 po)	17,8 cm (7 po)
293HV	¾	208-230	5,3	19 mm (¾ po)	Automatique	14,6 m (48 pi)	33 cm (13 po)	17,8 cm (7 po)
297HV	¾	208-230	5,3	19 mm (¾ po)	Automatique	14,6 m (48 pi)	24,1 cm (9½ po)	10,2 cm (4 po)
FL31M*	1/3	115	10,5	19 mm (¾ po)	Manuel*	5,8 m (19 pi)	-	-
FL31A	1/3	115	10,5	19 mm (¾ po)	Automatique	5,8 m (19 pi)	30,5 cm (12 po)	12,7 cm (5 po)
FL32M*	1/3	208-230	5,5	19 mm (¾ po)	Manuel*	5,8 m (19 pi)	-	-
FL32A	1/3	208-230	5,5	19 mm (¾ po)	Automatique	5,8 m (19 pi)	30,5 cm (12 po)	12,7 cm (5 po)
FL51M*	½	115	12	19 mm (¾ po)	Manuel*	16,8 m (55 pi)	-	-
FL51A	½	115	12	19 mm (¾ po)	Automatique	16,8 m (55 pi)	33 cm (13 po)	15,3 cm (6 po)
FL52M*	½	208-230	6,5	19 mm (¾ po)	Manuel*	16,8 m (55 pi)	-	-
FL52A	½	208-230	6,5	19 mm (¾ po)	Automatique	16,8 m (55 pi)	33 cm (13 po)	15,3 cm (6 po)
FLH61M*	6/10	115	12	19 mm (¾ po)	Manuel*	21,3 m (70 pi)	-	-
FLH61A	6/10	115	12	19 mm (¾ po)	Automatique	21,3 m (70 pi)	33 cm (13 po)	15,3 cm (6 po)
FL62M*	6/10	208-230	8,2	19 mm (¾ po)	Manuel*	19,8 m (65 pi)	-	-
FL62A	6/10	208-230	8,2	19 mm (¾ po)	Automatique	19,8 m (65 pi)	33 cm (13 po)	15,3 cm (6 po)
FL63M*	6/10	208-230 3PH	5,6	19 mm (¾ po)	Manuel*	19,8 m (65 pi)	-	-
FL64M*	6/10	440-480 3PH	2,8	19 mm (¾ po)	Manuel*	19,8 m (65 pi)	-	-
FL72M*	¾	208-230	10,5	19 mm (¾ po)	Manuel*	23,5 m (77 pi)	-	-
FL72A	¾	208-230	10,5	19 mm (¾ po)	Automatique	23,5 m (77 pi)	33 cm (13 po)	15,3 cm (6 po)
FL73M*	¾	208-230 3PH	7,5	19 mm (¾ po)	Manuel*	23,5 m (77 pi)	-	-
FL74M*	¾	440-480 3PH	3,5	19 mm (¾ po)	Manuel*	23,5 m (77 pi)	-	-
FL102M*	1	208-230	12	19 mm (¾ po)	Manuel*	27,4 m (90 pi)	-	-
FL102A	1	208-230	12	19 mm (¾ po)	Automatique	27,4 m (90 pi)	38,1 cm (15 po)	20,3 cm (8 po)
FL103M*	1	208-230 3PH	9	19 mm (¾ po)	Manuel*	27,4 m (90 pi)	-	-
FL104M*	1	440-480 3PH	4,5	19 mm (¾ po)	Manuel*	27,4 m (90 pi)	-	-
FL105M*	1	575 3PH	3,3	19 mm (¾ po)	Manuel*	27,4 m (90 pi)	-	-
FL152M*	38 mm (1½ po)	208-230	15	19 mm (¾ po)	Manuel*	33,5 m (110 pi)	-	-
FL152A	38 mm (1½ po)	208-230	15	19 mm (¾ po)	Automatique	33,5 m (110 pi)	38,1 cm (15 po)	20,3 cm (8 po)
FL153M*	38 mm (1½ po)	208-230 3PH	10,6	19 mm (¾ po)	Manuel*	33,5 m (110 pi)	-	-
FL154M*	38 mm (1½ po)	440-480 3PH	5,3	19 mm (¾ po)	Manuel*	33,5 m (110 pi)	-	-
FL155M*	38 mm (1½ po)	575 3PH	4,9	19 mm (¾ po)	Manuel*	33,5 m (110 pi)	-	-
FL202M*	2	208-230	15	19 mm (¾ po)	Manuel*	39,6 m (130 pi)	-	-
FL202A	2	208-230	15	19 mm (¾ po)	Automatique	39,6 m (130 pi)	38,1 cm (15 po)	20,3 cm (8 po)
FL203M*	2	208-230 3PH	10,6	19 mm (¾ po)	Manuel*	39,6 m (130 pi)	-	-
FL204M*	2	440-480 3PH	5,3	19 mm (¾ po)	Manuel*	39,6 m (130 pi)	-	-
FL205M*	2	575 3PH	4,9	19 mm (¾ po)	Manuel*	39,6 m (130 pi)	-	-

**\*Remarque :** Les modèles manuels (suffixe « M »), tels que décrits ci-dessus, nécessitent un dispositif ou un panneau indépendant de commande de pompe approuvé pour fonctionner automatiquement. Le fonctionnement de ces modèles variera en fonction du dispositif de commande choisi. S'assurer que les caractéristiques électriques du dispositif de commande choisi correspondent bien aux caractéristiques de la pompe. Les modèles triphasés nécessitent que les éléments de protection contre la surcharge soient sélectionnés ou réglés conformément au mode d'emploi de la commande.

**MISE EN GARDE :** Toujours utiliser un module de remplacement du cordon d'alimentation de la même longueur et du même type que le cordon installé à l'origine sur le produit Liberty. L'utilisation d'un cordon d'alimentation du mauvais calibre ou d'une longueur inadéquate peut occasionner le dépassement de la cote électrique du produit et provoquer des décès, blessures, incendies ou d'autres défaillances importantes.

### 3. Évacuation des effluents ou assèchement

1. Dans le cas d'installations ordinaires de pompage d'eau dans le sol, il est recommandé d'installer un puisard d'un diamètre d'au moins 35,6 cm (14 po). On peut utiliser les modèles (VMF) à flotteur vertical (257, 287 et 297) avec un puisard d'un diamètre minimum de 25,4 cm (10 po); cependant, il est préférable que le diamètre du puits soit plus important afin de permettre que les cycles de la pompe soient plus longs et réduire le fonctionnement de l'interrupteur. Le puisard devrait avoir une profondeur d'au moins 45,7 cm (18 po).
2. Si le puits n'est pas déjà fermé au bas, fournir une base solide et au niveau en brique ou en béton. NE PAS placer la pompe directement sur de la terre, du gravier ou des débris susceptibles de causer une usure prématurée du rotor et même de le bloquer. « **The Brick** » (vendu par Liberty Pumps, pièce n° 4445000) est une plateforme prémoulée stable conçue pour l'installation de votre pompe submersible. Elle soulève la pompe de 6,35 cm (2,5 po) du fonds du puisard, réduisant ainsi les risques d'obstruction causée par les cailloux et les débris. Communiquer avec le distributeur local pour commander. Retirer tous les débris du fond du puisard avant l'installation de la pompe. On suggère d'installer un couvercle de puisard pour assurer la sécurité et empêcher que des corps étrangers tombent dans le puits.
3. Placer la pompe dans le puits en s'assurant que l'interrupteur ait suffisamment de dégagement et ne risque pas de s'accrocher à la paroi latérale du puits. Le flotteur doit pouvoir **se déplacer librement sur tout son parcours**, sans contact avec le corps de la pompe, la tuyauterie ou tout autre objet. Un raccord d'évacuation fileté de 3,8 cm (1½ po) est fourni pour raccorder le tuyau d'évacuation. Ne pas installer de tuyau d'évacuation d'un diamètre inférieur à 3,8 cm (1½ po). Il est recommandé d'utiliser du tuyau de PVC de nomenclature 40; cependant, on peut utiliser un ensemble de tuyau d'évacuation souple pour les installations temporaires.
4. Raccorder le tuyau d'évacuation temporaire ou permanent à la sortie filetée de la pompe. **RESSERRER À LA MAIN SEULEMENT**. Trop serrer peut endommager le boîtier de la pompe. Installer un raccord union ou autre dispositif permettant de séparer la canalisation d'évacuation juste au-dessus du plancher, pour faciliter le retrait de la pompe si nécessaire. On recommande l'installation d'un clapet antiretour après le raccord union ou à sa place afin de prévenir le refoulement du liquide après chaque cycle de la pompe. (Toutes les pompes à effluents ou assèchement Liberty sont munies d'un orifice d'évacuation de l'air pour prévenir la formation de poches d'air. Une légère vaporisation d'eau par cet orifice est normale lorsque la pompe fonctionne.)
5. Raccorder, au besoin, un tuyau supplémentaire pour diriger l'évacuation à l'endroit désiré. La conduite d'évacuation devrait être la plus courte possible et comporter un nombre minimum de virages. Vérifier l'étanchéité de tous les joints des raccords.
6. Installer un raccord union ou autre dispositif permettant de séparer la canalisation d'évacuation juste au-dessus du plancher, pour faciliter le retrait de la pompe si nécessaire. **On recommande l'installation d'un clapet antiretour après le raccord union ou à sa place afin de prévenir le refoulement du liquide après chaque cycle de la pompe.**
7. Lorsqu'on utilise un clapet antiretour, **il est recommandé de percer un orifice d'évacuation de 3 mm (1/8 po) dans le tuyau d'évacuation, juste au dessus de la sortie de la pompe, afin de prévenir la formation de poches d'air (voir fig. 1).**

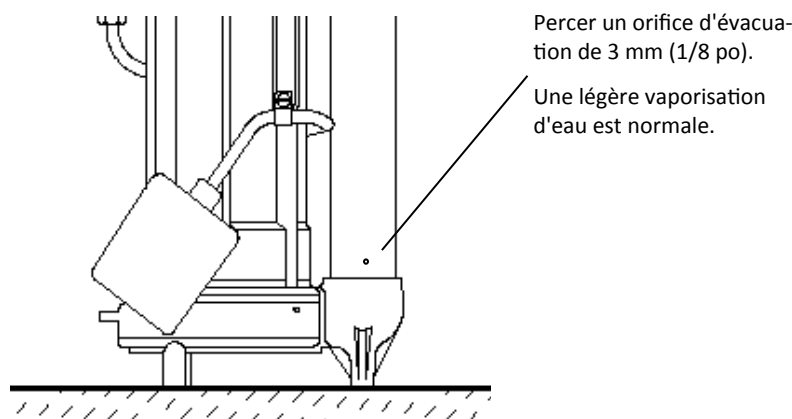


Fig. 1 – Anti-airlock hole position

8. Pour plus de protection, envisager l'ajout d'une pompe de secours, comme une pompe d'assèchement **Liberty SJ10 SumpJet**, ainsi que d'une alarme, comme le modèle **Liberty ALM-2**, pour les installations où une panne de la pompe risque de causer des dommages matériels. Lorsqu'une alarme est utilisée, elle doit être raccordée à un circuit électrique distinct.

## 4. Évacuation des effluents

L'utilisation des modèles (VMF) à flotteur vertical magnétique (257, 287 et 297) n'est pas recommandée pour pomper les effluents en raison de leur court cycle de marche/arrêt. Les modèles à flotteur à grand angle sont plus indiqués pour de telles utilisations et se réglent facilement à différents niveaux de marche/d'arrêt.

Le bassin nécessaire pour les utilisations de pompage d'effluents doit être étanche et ventilé afin de respecter les normes des codes de plomberie et de santé publique. Les dimensions et matériaux adéquats pour les utilisations de pompage d'effluents varient en fonction du type de système de collecte des effluents et les codes locaux. Vérifier les codes locaux en vigueur avant d'acheter et installer le bassin. Suivre les directives du fabricant pour installer un bassin en particulier. Il est nécessaire que le bassin ait un diamètre minimum de 45,7 cm (18 po) et une profondeur de 61 cm (24 po) pour que la pompe fonctionne; cependant, il est préférable d'utiliser un plus gros bassin afin de permettre que les cycles de la pompe soient plus longs et augmenter la durée de vie utile de l'interrupteur. L'installation doit être suffisamment profonde pour assurer que toute la plomberie se trouve sous la profondeur maximale de la pénétration du gel. Si c'est impossible, retirer le clapet de non-retour et corriger la taille du bassin et/ou ajuster le différentiel du compartiment pour recevoir le volume supplémentaire de refoulement d'eau.



AVERTISSEMENT

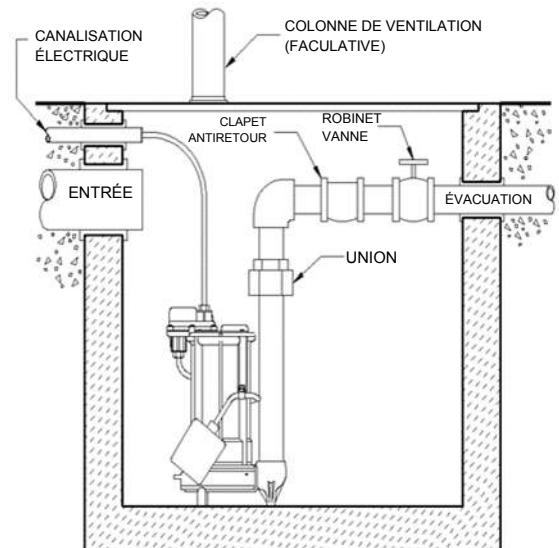
Cette pompe ne doit pas être installée dans un endroit classé dangereux selon la norme ANSI/NFPA 70 du NEC, ou lorsque les codes locaux l'interdisent.

- A. **Systèmes simples (une pompe) (voir fig. 2) :** Mettre la pompe en place en assurant suffisamment de dégagement du flotteur par rapport à la paroi latérale du bassin. Le flotteur doit pouvoir **se déplacer librement sur tout son parcours**, sans contact avec le corps de la pompe, la tuyauterie ou tout autre objet. Lorsqu'on utilise un dispositif de commande facultatif ou un flotteur, suivre les directives d'installation qui accompagnent le dispositif facultatif. Raccorder le tuyau d'évacuation à la sortie fileté de la pompe. **IMPORTANT : NE PAS INSTALLER DE TUYAU D'ÉVACUATION D'UNE DIMENSION INFÉRIEURE À LA SORTIE DE LA POMPE.** Communiquer avec Liberty Pumps ou un autre spécialiste pour toute question au sujet des dimensions de tuyaux et débits adéquats. Installer le couvercle du bassin, en s'assurant qu'il est bien étanche.

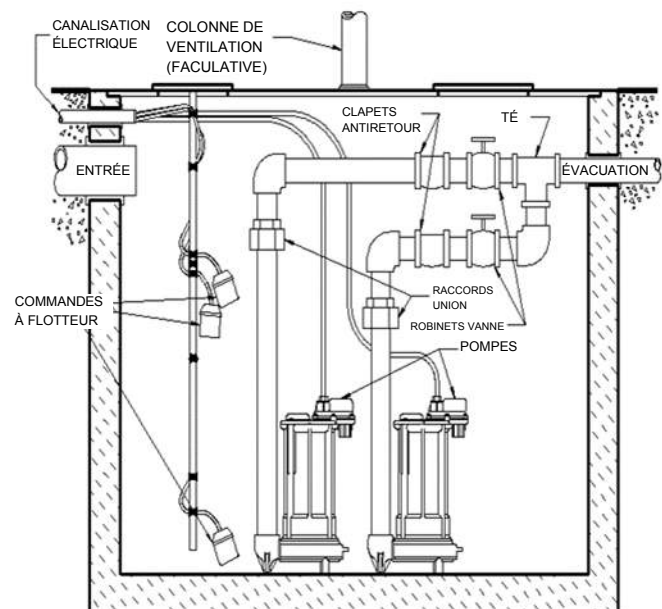
**Installation du tuyau d'évacuation :** une fois la pompe fixée, installer le tuyau d'évacuation. Il est conseillé d'installer un raccord union pour faciliter le retrait de la pompe si nécessaire. On recommande l'installation d'un clapet antiretour basculant à écoulement libre après le raccord union afin de prévenir le refoulement du liquide après chaque cycle de la pompe. Un robinet-vanne doit suivre le clapet antiretour afin de permettre le nettoyage périodique du clapet antiretour ou le retrait de la pompe. Le reste de la canalisation d'évacuation devrait être le plus court possible et comporter un nombre minimum de coudes, afin de réduire la perte de puissance due à la friction. Communiquer avec Liberty Pumps ou un autre spécialiste pour toute question au sujet des dimensions de tuyaux et débits adéquats.

(Toutes les pompes à effluents ou assèchement Liberty sont munies d'un orifice d'évacuation de l'air pour prévenir la formation de poches d'air. Une légère vaporisation d'eau par cet orifice est normale lorsque la pompe fonctionne.)

- B. **Systèmes doubles (deux pompes) (voir fig. 3) :** Placer les deux pompes au fond du bassin. La commande double utilisée comprendra 3 ou 4 flotteurs qui seront soit fixés à un tuyau d'évacuation ou encore à une tige indépendante ou à un support. Suivre les instructions fournies par le fabricant du dispositif de commande double. Le flotteur doit être en mesure de **se déplacer librement sur tout son parcours**, sans contact avec le corps de la pompe, la tuyauterie ou tout autre objet. Raccorder un tuyau d'évacuation différent à chaque pompe.



**Fig. 2 – Installation type du système à une pompe**  
Il s'agit d'une forme d'installation recommandée fournie à titre d'exemple.  
Les installations particulières peuvent varier.



**Fig. 3 – Installation type du système double**  
Il s'agit d'une forme d'installation recommandée fournie à titre d'exemple.  
Les installations particulières peuvent varier.

**IMPORTANT : NE PAS INSTALLER DE TUYAU D'ÉVACUATION D'UNE DIMENSION INFÉRIEURE À LA SORTIE DE LA POMPE.** Communiquer avec Liberty Pumps ou un autre spécialiste pour toute question au sujet des dimensions de tuyaux et débits adéquats. Pour éliminer la recirculation des liquides dans les installations à deux pompes, il est nécessaire d'installer un clapet antiretour sur chaque tuyau d'évacuation avant de raccorder les deux tuyaux à la même canalisation commune. Les clapets antiretour peuvent être installés à l'intérieur ou à l'extérieur du bassin, selon sa hauteur. Installer les couvercles du bassin, en s'assurant qu'ils sont bien étanches.

**Installation du tuyau d'évacuation qui reste :** Il est conseillé d'installer des raccords unions ou flexibles pour faciliter le retrait de la pompe si nécessaire. On recommande l'installation d'un clapet antiretour basculant à écoulement libre sur chaque tuyau d'évacuation, après le raccord union, afin de prévenir le reflux de liquide ou de gaz. Pour éliminer la recirculation des liquides d'une pompe à l'autre, il est nécessaire d'installer un clapet antiretour sur chaque tuyau d'évacuation avant de raccorder les deux tuyaux à la canalisation commune. On recommande l'installation d'un robinet-vanne ou clapet à bille doit suivre le clapet antiretour afin de permettre le nettoyage périodique du clapet antiretour ou le retrait de la pompe. Le reste de la canalisation d'évacuation devrait être le plus court possible et comporter un nombre minimum de virages, afin de réduire la perte de puissance due à la friction. Communiquer avec Liberty Pumps ou un autre spécialiste pour toute question au sujet des dimensions de tuyaux et débits adéquats. (Toutes les pompes à effluents ou assèchement Liberty sont munies d'un orifice d'évacuation de l'air pour prévenir la formation de poches d'air. Une légère vaporisation d'eau par cet orifice est normale lorsque la pompe fonctionne.)

## 5. Entretien et fonctionnement des composants électriques

### ⚠ AVERTISSEMENT

- **Danger d'électrocution.** Toujours débrancher la pompe de l'alimentation électrique avant de la manipuler ou d'y effectuer des réglages.
- Les raccords électriques et le câblage pour l'installation de la pompe ne devraient être effectués que par des professionnels qualifiés.
- Cette pompe est fournie avec un conducteur de mise à la terre et une fiche de branchement de type mise à la terre. Afin de réduire les dangers d'électrocution, s'assurer que le conducteur de mise à la terre est raccordé seulement à un panneau de commande correctement mis à la terre, ou, s'il est muni d'une fiche avec mise à la terre, qu'elle est correctement mise à la terre.
- NE PAS dévier les fils de mise à la terre ou retirer la broche de mise à la terre des fiches de branchement.
- NE PAS utiliser de rallonge.
- Cette pompe nécessite un circuit de dérivation à part correctement protégé par un fusible et mis à la terre. S'assurer que la source d'alimentation électrique est suffisante pour répondre aux exigences de tension et d'intensité du courant électrique du moteur, tel qu'indiqué sur la plaque signalétique de la pompe.
- La prise électrique ou le panneau doivent se trouver à la portée du cordon d'alimentation de la pompe et à au moins 1,2 m (4 pieds) au-dessus du niveau du plancher pour minimiser les dangers possibles pouvant être causés par une inondation.
- L'installation doit être faite en respectant le code national de l'électricité et tous les codes locaux et règlements en vigueur.

### ⚠ ATTENTION

Lorsqu'il existe des risques de dommages à la propriété en raison d'un niveau d'eau élevé, il est conseillé d'installer une alarme indépendante signalant la hausse du niveau de l'eau ou un système de pompage de secours.

Tous les modèles de pompes automatiques de la gamme FL (identifiées par la lettre « A ») et les modèles 253, 283 et 293 sont munis d'un interrupteur à flotteur fixé à la pompe en usine. Ces modèles sont munis de deux cordons : l'un relié à l'interrupteur à flotteur et l'autre au moteur de la pompe. Le cordon de l'interrupteur est muni d'un connecteur en série (siamois) permettant de brancher le cordon de la pompe (moteur) sur son dos. Ce système a pour but de permettre le fonctionnement manuel de la pompe.

**Pour permettre le fonctionnement manuel,** ou en cas de défaillance de l'interrupteur, le cordon de la pompe peut être séparé et branché dans la prise électrique, en contournant directement l'interrupteur (**voir fig. 4**).

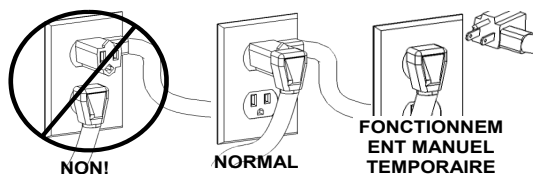


Fig. 4- Fonctionnement manuel temporaire

**Pour un fonctionnement automatique**, les deux cordons doivent être interconnectés et branchés dans une prise d'une intensité en ampères suffisante pour le modèle de pompe choisi, avec fusibles indépendants et mise à la terre. (Voir section 1, Renseignements généraux, ou la plaque signalétique de la pompe pour connaître les caractéristiques électriques du modèle.) Les deux cordons sont munis de fiches à trois broches et doivent être branchés dans une prise à trois broches avec mise à la terre adéquate. **NE PAS RETIRER LA BROCHE DE MISE À LA TERRE.**



On doit uniquement faire fonctionner les pompes 208-230 V monophasées sans l'interrupteur à flotteur en utilisant le disjoncteur ou l'interrupteur du panneau.



Ne pas laisser la pompe fonctionner à sec.

Les niveaux de marche d'arrêt varient selon le modèle. (Consulter le tableau des caractéristiques des modèles à la page 3 pour connaître les niveaux réglés en usine pour chaque modèle particulier.) On peut obtenir d'autres intervalles de pompage en attachant le cordon de l'interrupteur au tuyau d'évacuation. **REMARQUE** : une longueur de cordon minimum de 8,9 cm (3½ po) entre le point d'attache et le haut du flotteur est nécessaire au bon fonctionnement de l'interrupteur. Lorsqu'on utilise un intervalle différent de celui qui est réglé en usine, s'assurer que, lorsque la pompe s'arrête, il reste au moins 8,9 cm (3½ po) de liquide dans le bassin, de manière à ce que le rotor demeure submergé. **(Les modèles 251, 257, 281, 287, 291 et 297 sont munis d'interrupteurs réglés en usine qui ne sont pas ajustables.)**

Les pompes manuelles qui n'ont pas d'interrupteur sont destinées à servir avec un dispositif de contrôle du niveau de liquide ou une commande de moteur dont la capacité correspond à l'intensité maximale du moteur. Quel que soit le type de commande, s'assurer qu'il reste au moins 8,9 cm (3½ po) de liquide dans le bassin lorsque la pompe s'arrête, de manière à ce que le rotor demeure submergé.

**REMARQUE : Fonctionnement automatique avec dispositifs de commande facultatifs** : Si les pompes doivent fonctionner avec un panneau de commande en simple ou en double ou d'autres dispositifs de commande facultatifs, suivre les directives d'installation fournies avec le dispositif de commande et faire les raccordements selon ce qui est recommandé. Si nécessaire, certains modèles peuvent fonctionner sans un dispositif de commande séparé.



On doit uniquement faire fonctionner les pompes 208-230 V monophasées sans l'interrupteur à flotteur en utilisant le disjoncteur ou l'interrupteur du panneau.

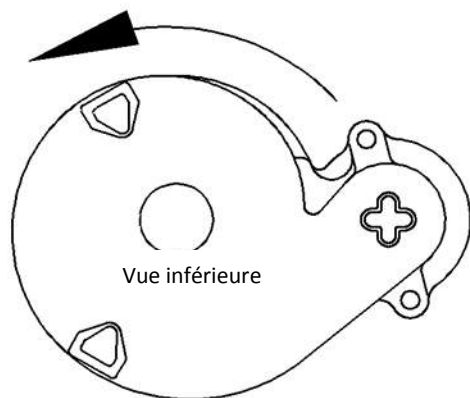


Ne pas laisser la pompe fonctionner à sec.

### **3 Modèles de pompes triphasées (FL63, FL64, FL73, FL74, FL103, FL104, FL105, FL153, FL154, FL155, FL203, FL204, FL205)**



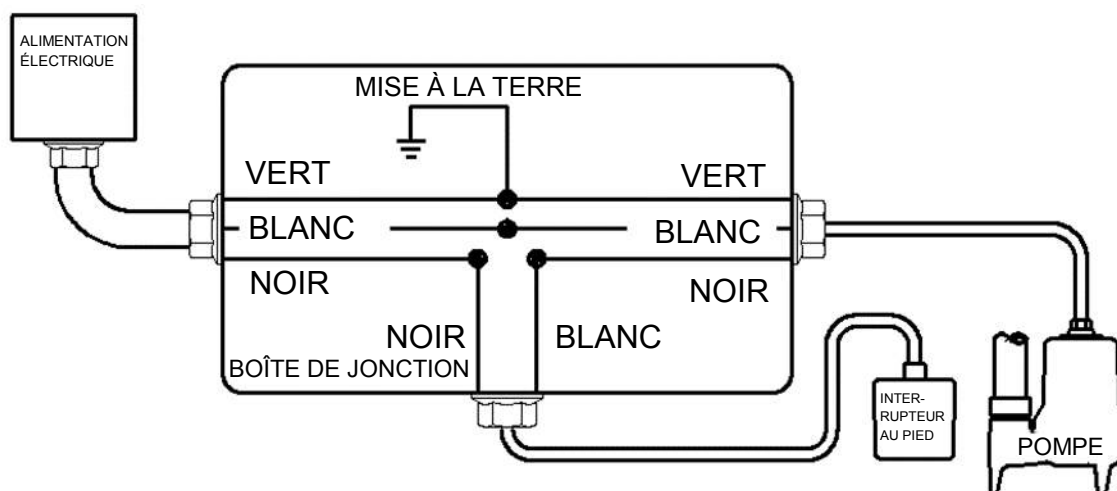
Pour les pompes triphasées, vérifier que la rotation est adéquate avant d'installer la pompe dans le bassin collecteur (**voir fig. 5**).



Vérifier que la rotation des pompes triphasées est adéquate avant d'installer la ou les pompes dans le bassin collecteur. Pour modifier la rotation, inverser n'importe laquelle des trois broches d'alimentation vers la pompe. Coder les fils pour reconnexion après l'installation.

**Fig. 5 – Bonne rotation du rotor, modèles triphasés**

Si une pompe uniphasée doit être branchée directement dans un dispositif de commande ou une boîte de connexion, et qu'il est nécessaire de retirer les fiches, faire raccorder le câblage par un électricien autorisé en respectant les normes du code national de l'électricité et de tous les codes locaux en vigueur. Voir **fig. 6** pour les installations pompes monophasées automatiques.



**Fig. 6 – Câblage direct de pompes monophasées, automatiques 120 V ou 208-230 V.**



**Installations de pompes 208-230 V :** Installer un interrupteur bipolaire près de l'installation de la pompe. Un côté du câble allant vers la pompe est toujours sous tension, que l'interrupteur du flotteur soit en position de marche ou d'arrêt. Utiliser un interrupteur bipolaire qui permet de mettre les deux branches hors tension.

## 6. Entretien



**Danger d'électrocution.** Toujours débrancher la pompe de l'alimentation électrique avant de la manipuler ou d'y effectuer des réglages.



**Toujours débrancher la pompe de sa source d'alimentation électrique avant de la manipuler.** Ce guide sert à aider à identifier les causes de problèmes de fonctionnement éventuels. Ce n'est pas un guide d'entretien. **Le démontage de la pompe annulera la garantie.** L'entretien de la pompe pour effectuer des travaux autres que d'en nettoyer l'entrée ou le rotor doit être confié au fabricant ou à ses centres d'entretien autorisés.

1. **Modèles submersibles :** ces modèles de pompes sont munis de roulements à lubrification permanente qui ne nécessitent aucun graissage supplémentaire.
2. **Il est important de vérifier la pompe régulièrement, car la présence de débris ou de dépôts peut nuire au fonctionnement de la pompe ou de l'interrupteur à flotteur.** Le flotteur doit être en mesure de se déplacer librement sur tout son parcours, sans restriction. Verser suffisamment d'eau dans le puisard pour activer la pompe de temps en temps (au moins tous les 3 mois) afin d'en vérifier le fonctionnement lorsqu'elle ne fonctionne pas régulièrement.

**REMARQUE :** Liberty Pumps, Inc. n'est pas responsable des dommages ou blessures résultant d'un démontage sur le terrain.

## 7. Guide de dépannage

Problème	Cause	Mesure correctrice
La pompe ne fonctionne pas.	<ul style="list-style-type: none"> <li>Fusible brûlé ou autre interruption d'alimentation, tension inadéquate.</li> </ul>	<ul style="list-style-type: none"> <li>S'assurer que le branchement de l'appareil est sécuritaire. Demander à un électricien de vérifier tous les câbles au niveau des branchements et de s'assurer que la capacité et l'intensité sont adéquates.</li> </ul>
	<ul style="list-style-type: none"> <li>* L'interrupteur ne peut se mettre en position de marche en raison de l'interférence du côté du bassin ou d'un autre type d'obstacle.</li> </ul>	<ul style="list-style-type: none"> <li>Placer la pompe ou l'interrupteur de manière à ce que le dégagement soit suffisant pour bien fonctionner.</li> </ul>
	<ul style="list-style-type: none"> <li>Niveau de liquide insuffisant.</li> </ul>	<ul style="list-style-type: none"> <li>S'assurer que le niveau de liquide peut s'élever suffisamment pour activer le et les interrupteurs.</li> </ul>
	<ul style="list-style-type: none"> <li>Interrupteur défectueux.</li> </ul>	<ul style="list-style-type: none"> <li>Remplacer l'interrupteur s'il est défectueux.</li> </ul>
La pompe refuse de s'éteindre.	<ul style="list-style-type: none"> <li>Les interrupteurs ne peuvent se mettre en position d'arrêt en raison de l'interférence du côté du bassin.</li> </ul>	<ul style="list-style-type: none"> <li>Placer la pompe ou l'interrupteur de manière à ce que le dégagement soit suffisant pour bien fonctionner.</li> </ul>
	<ul style="list-style-type: none"> <li>Interrupteur défectueux.</li> </ul>	<ul style="list-style-type: none"> <li>Remplacer l'interrupteur s'il est défectueux.</li> </ul>
La pompe tourne ou gronde, mais ne pompe pas.	<ul style="list-style-type: none"> <li>Conduits d'évacuation bloqués ou restreints.</li> </ul>	<ul style="list-style-type: none"> <li>Vérifier dans la canalisation d'évacuation qu'il n'y ait pas de corps étrangers, y compris de formation de glace si la canalisation d'évacuation se trouve dans des zones froides ou les traverse.</li> </ul>
	<ul style="list-style-type: none"> <li>Clapet antiretour bloqué en position fermée ou incorrectement installé.</li> </ul>	<ul style="list-style-type: none"> <li>Retirer tout clapet antiretour et vérifier qu'il fonctionne librement et est bien installé.</li> </ul>
	<ul style="list-style-type: none"> <li>Robinet-vanne ou clapet à bille fermé.</li> </ul>	<ul style="list-style-type: none"> <li>Ouvrir le robinet-vanne ou le clapet à bille.</li> </ul>
	<ul style="list-style-type: none"> <li>La charge ascensionnelle totale dépasse la capacité de la pompe.</li> </ul>	<ul style="list-style-type: none"> <li>Essayer de rediriger le tuyau à un niveau inférieur. Si c'est impossible, il faut probablement se procurer une pompe plus puissante. <b>Consulter le fabricant.</b></li> </ul>
	<ul style="list-style-type: none"> <li>Le rotor de la pompe est bloqué ou le corps de pompe en spirale est bouché.</li> </ul>	<ul style="list-style-type: none"> <li>*Retirer la pompe du bassin. Détacher la base de la pompe et nettoyer la zone entourant le rotor. Remonter et réinstaller.</li> </ul>
La pompe tourne périodiquement lorsque les accessoires ne sont pas utilisés.	<ul style="list-style-type: none"> <li>Clapet antiretour non installé, bloqué en position ouverte ou qui fuit.</li> </ul>	<ul style="list-style-type: none"> <li>Retirer tout clapet antiretour et vérifier qu'il fonctionne librement et est bien installé.</li> </ul>
	<ul style="list-style-type: none"> <li>Les accessoires coulent.</li> </ul>	<ul style="list-style-type: none"> <li>Réparer les accessoires au besoin pour éliminer les fuites.</li> </ul>
La pompe fait du bruit.	<ul style="list-style-type: none"> <li>Corps étrangers dans les cavités du rotor.</li> </ul>	<ul style="list-style-type: none"> <li>*Retirer la pompe du bassin. Détacher la base de la pompe et nettoyer la zone entourant le rotor. Remonter et réinstaller.</li> </ul>
	<ul style="list-style-type: none"> <li>Rotor brisé.</li> </ul>	<ul style="list-style-type: none"> <li>Consulter le fabricant pour obtenir de l'information au sujet du remplacement du rotor.</li> </ul>
	<ul style="list-style-type: none"> <li>Coussinets usés.</li> </ul>	<ul style="list-style-type: none"> <li>Retourner la pompe au fabricant ou la faire réparer par un réparateur autorisé.</li> </ul>
	<ul style="list-style-type: none"> <li>Raccordements des tuyaux à la structure de la maison trop rigides.</li> </ul>	<ul style="list-style-type: none"> <li>Remplacer une partie du tuyau d'évacuation par un boyau ou un raccord en caoutchouc.</li> </ul>



## 8. 3 Garantie limitée de trois ans

**\*REMARQUE :** Liberty Pumps, Inc. n'est pas responsable des dommages ou blessures résultant d'un démontage sur le terrain. Le démontage effectué ailleurs que chez Liberty Pumps ou à l'un de ses centres de services autorisés annule automatiquement la garantie.

Liberty Pumps, Inc. garantit que les pompes sortant de son usine sont exemptes de tout défaut de matériau et de fabrication pour une période de trois ans à partir de la date d'achat. La date d'achat sera établie par une facture d'achat datée indiquant les numéros de modèle et de série de la pompe. La pompe retournée doit être accompagnée de la facture d'achat datée si la date de retour se situe à plus de trois ans du numéro de « CODE » (date de fabrication) indiqué sur la plaque signalétique de la pompe.

L'obligation de garantie du fabricant se limite à la réparation ou au remplacement de toute pièce jugée défectueuse par le fabricant, à condition que la pièce ou l'appareil soit retourné franco de port au fabricant ou à son centre de service autorisé et à condition qu'il n'y ait aucune preuve que les critères suivants annulant la garantie sont en cause.

Le fabricant ne peut en aucun cas être tenu responsable, selon les dispositions de cette garantie, si le produit n'a pas été correctement installé; s'il a été démonté, modifié, soumis à un usage abusif ou endommagé; si le cordon électrique a été coupé, endommagé ou ligaturé; si la taille du tuyau d'évacuation de la pompe a été réduite; si la pompe a été utilisée pour pomper de l'eau d'une température supérieure aux recommandations ci-dessus ou de l'eau contenant du sable, de la chaux, du ciment, du gravier ou autres matières abrasives; si le produit a été utilisé pour pomper des produits chimiques ou des hydrocarbures; si un moteur non submersible a été exposé à de l'humidité excessive; ou si l'étiquette portant le numéro de série, de modèle et de code a été retirée. Liberty Pumps, Inc. ne pourra être tenue responsable des pertes, dommages, frais attribuables à l'installation ou l'utilisation de ses produits ni pour les dommages accessoires ou consécutifs, y compris les coûts de retrait, de réinstallation ou de transport.

Il n'y a aucune autre garantie expresse. Toute garantie implicite, y compris celles de qualité marchande et d'aptitude à une fin particulière est limitée à trois ans à partir de la date d'achat.

Cette garantie contient le recours exclusif de l'acheteur et exclut, lorsque permis par la loi, toute responsabilité pour dommages consécutifs ou accessoires en vertu de toutes autres garanties.



7000 Apple Tree Avenue  
Bergen, NY 14416  
Téléphone : (800) 543-2550  
Télécopieur : (585) 494-1839  
[www.libertypumps.com](http://www.libertypumps.com)