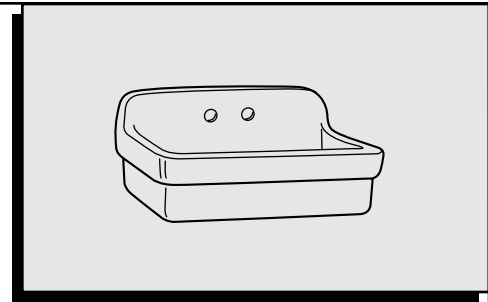


Installation Instructions

COUNTRY™ KITCHEN SINK MODEL 9062.008



Certified to comply with A112.19.2M
Observe local plumbing and building codes.

Thank you for selecting American-Standard...the benchmark of fine quality for over 100 years. To ensure that your installation proceeds smoothly--please read these instructions carefully before you begin.

730741-100 REV A

BEFORE YOU BEGIN...Unpack new sink and inspect carefully for damage. Replace the sink in its original packing carton to protect it until you are ready to begin installation.

! CAUTION: Risk of personal injury or property damage. Large vitreous china sinks are very heavy. Get help lifting the sink.

RECOMMENDED TOOLS & MATERIALS

Putty Knife	Phillips Screwdriver	Saber Saw	Tubing Cutter
Pipe Wrench	Regular Screwdriver	Plumbers' Putty or Caulking	Tape Measure
Channel Locks	Adjustable Wrench	Various Carpentry Tools	Hacksaw
Drill	Basin Wrench		

PRODUCT REQUIREMENTS

Due to the special nature of this installation, American Standard recommends that an experienced cabinet maker build the new cabinet or modify an existing cabinet to achieve a satisfactory installation.

To ensure proper fit of the sink in the cabinet, we suggest you provide the cabinet maker with the actual sink that will be installed. A wood support frame must be constructed to support 300 lbs. Follow all framing instructions exactly.

NOTES

The cabinet designs illustrated below are intended as suggestions only. Your specific installation requirements may vary from those shown.

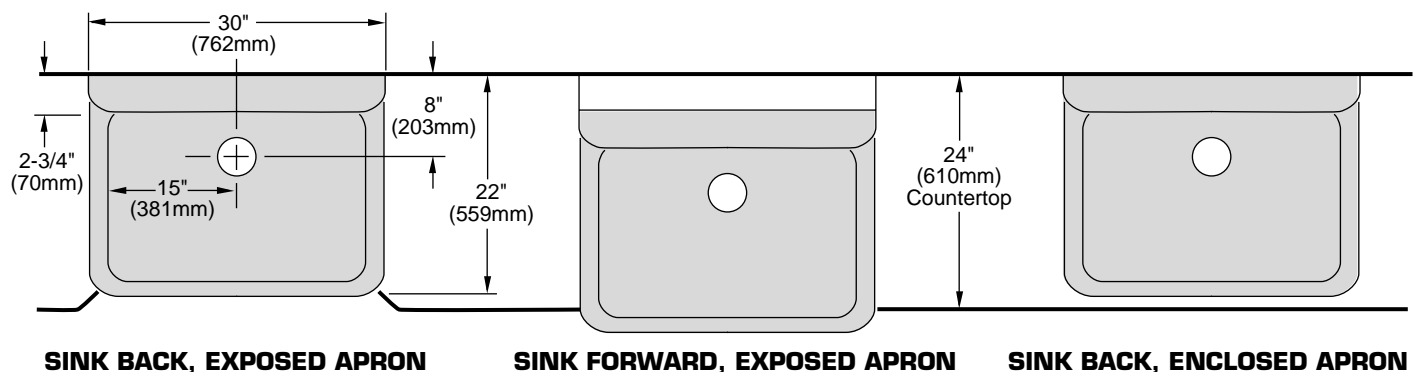
CABINET DESIGN

All illustrations in this manual assume installation with a standard, 24" countertop. Other countertop sizes may also be used.

SINK DIMENSIONS AND INSTALLATION POSITION

Before proceeding, determine whether or not the sink will be installed with the front apron exposed. Other basic cabinet design options are shown below for your convenience.

The sink may either be set back against the finished wall, positioned so the sink front rim flange extends from the front of the cabinet, or positioned so the sink front apron is enclosed. Be certain to plan for faucet supply lines and sink drain line.



SINK BACK, EXPOSED APRON

SINK FORWARD, EXPOSED APRON

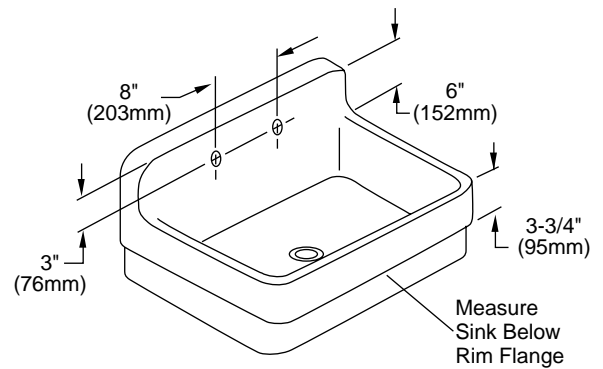
SINK BACK, ENCLOSED APRON

1

MEASURE ACTUAL SINK

Measure the actual size of the sink below the rim flange. The cabinet opening should equal the sink dimensions to ensure a minimum gap between the sink apron and the cabinet.

If the sink is not available at the time of cabinet and support frame construction, make allowances to add wood filler strips or spacers to the cabinet opening after you install the cabinet, and before you install the sink.



2

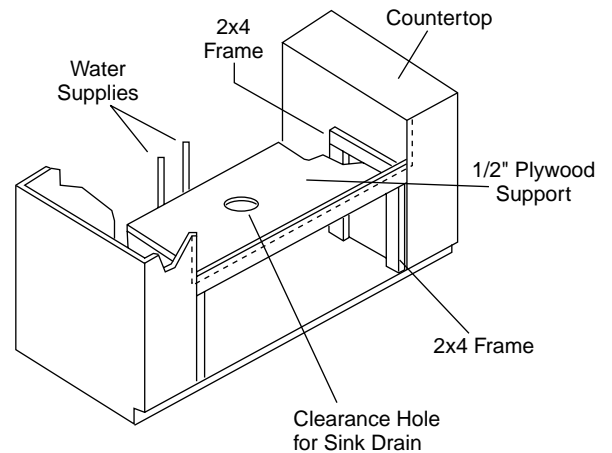
CONSTRUCT CABINET AND SUPPORT FRAME

Carefully measure and sketch the cut-out area according to the measurements taken from the actual sink. Cut out the countertop.

Construct a wood support frame inside the cabinet opening. Use 2 x 4 lumber and 1/2" plywood. Provide adequate clearance for water supplies between the support and the finished wall. Locate and cut a hole for the drain.

Route the water supply lines and drain piping.

Clean the countertop around the cutout.



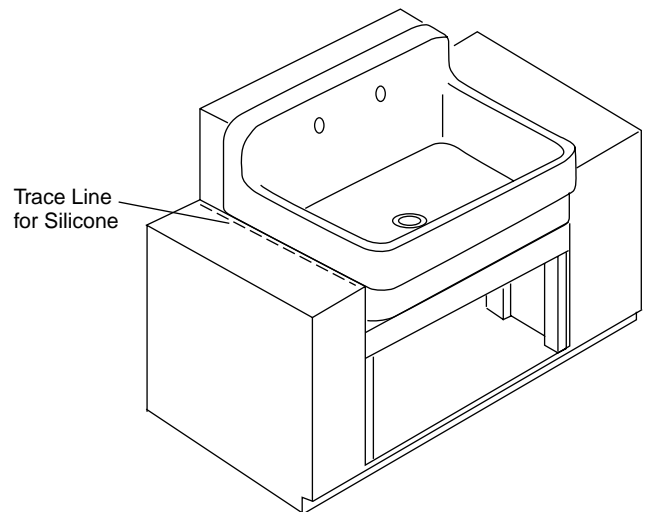
3

TEMPORARILY INSTALL SINK



CAUTION: Risk of personal injury or property damage. Large vitreous china sinks are very heavy. Get help lifting the sink.

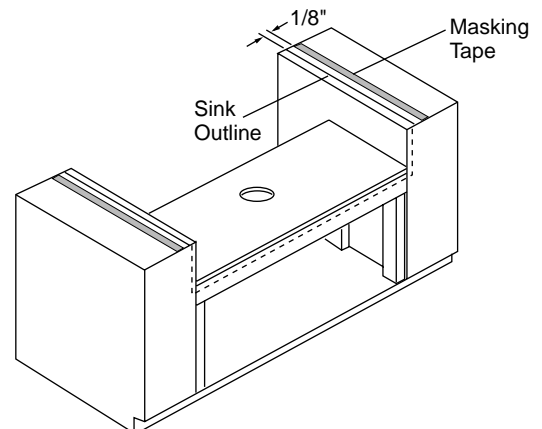
Check for alignment and clearance, then trace around the outside edge of the sink as a guide for installation location and application of sealant. Remove sink.



4

MASK COUNTERTOP

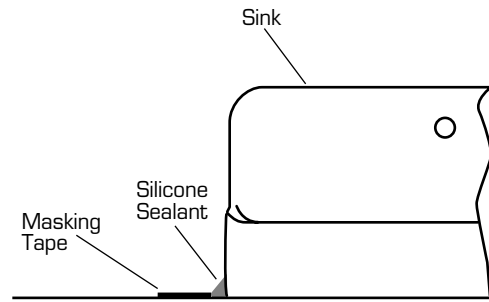
Apply a masking tape outline 1/8" outside traced sink outline as a guide for application of silicone.



5

INSTALL SINK

Apply a generous portion of silicone sealant inside line traced on countertop. Carefully lower sink into place and press down firmly. Use guidelines for proper positioning. Using water to dampen your finger, remove excess sealant for a smooth even line. Apply additional sealant if necessary to provide a uniform bead from the rim of sink to the masking tape line as shown. Carefully remove tape. Dampen finger and run it slightly over the sealant to remove any high spots.



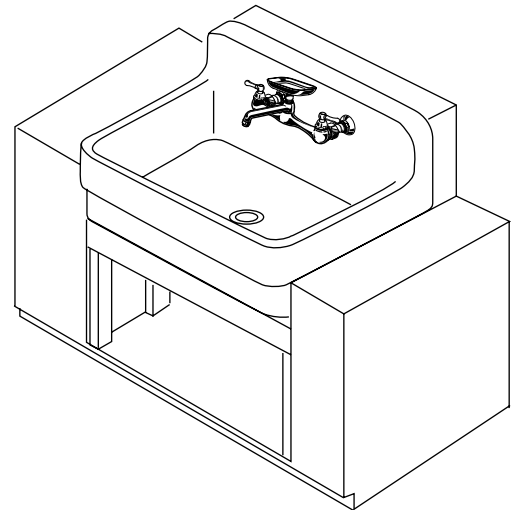
6

MOUNT FITTINGS

Mount the faucet and drain assembly on the sink following the manufacturer's instructions.



CAUTION: Risk of personal injury or product damage. Handle with care. Vitreous china can break or chip if the fittings are overtightened, or if the product is handled carelessly.

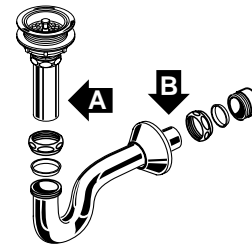


7

INSTALL DRAIN

Connect drain assembly hand tight to check alignment. It may be necessary to cut off part of the tailpiece (area "A") or part of the horizontal leg of the trap (area "B").

Secure joint for water tight assembly.



AMERICAN-STANDARD ONE YEAR LIMITED WARRANTY

If inspection of this American-Standard plumbing product, within one year after its initial purchase, confirms that it is defective in materials or workmanship, American-Standard will repair or, at its option, exchange the product for a similar model.

This limited warranty **does not apply** to local building code compliance. Since local building codes vary considerably, the purchaser of this product should check with a local building or plumbing contractor to insure local code compliance before installation.

This warranty **shall be void** if the product has been moved from its initial place of installation; if it has been subjected to faulty maintenance, abuse, misuse, accident or other damages; if it was not installed in accordance with American-Standard's instructions; or if it has been modified in a manner inconsistent with the product as shipped by American-Standard.

American-Standard's option to repair or exchange the product under this warranty does not cover any labor or other costs of removal or installation, **nor shall American-Standard be responsible for any other incidental or consequential damages attributable to a product defect or to the repair or exchange of a defective product, all of which are expressly excluded from this warranty.** (Some states or provinces do not allow the exclusion or limitation of implied warranties, so this exclusion may not apply to you.)

This warranty gives you specific legal rights. You may have other statutory rights that vary from state to state or from province to province, in which case this warranty does not affect such statutory rights.

For service under these warranties, it is suggested that a claim be made through the contractor or dealer from or through whom the product was purchased, or that a service request (including a description of the product model and of the defect) be sent to the following address:

In the United States:
American Standard Inc.,
P.O. Box 6820
Piscataway, New Jersey 08855
Attention: Director of Consumer Affairs

In Canada:
American-Standard,
1401 Dupont Street,
Toronto, Ontario
Canada M6H 2B1

In Mexico:
Customer Service Manager
Ideal Standard, S.A. de C.V.
Via Morelos #330
Col. Santa Clara
Ecatepec 55540 Edo. Mexico

For residents of the United States, warranty information may also be obtained by calling the following toll free number: (800) 442-1902

Toll free: (800) 387-0369