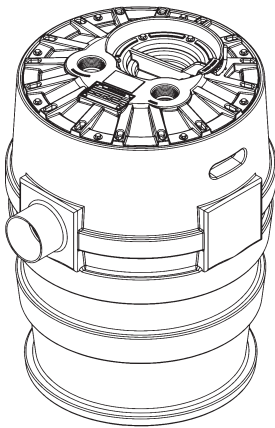


## Installation Manual

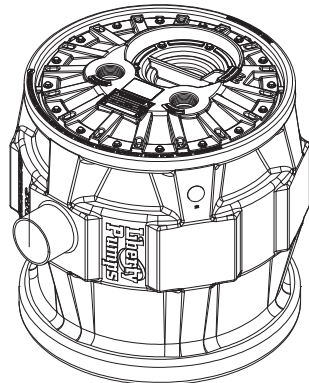
7225000J

# Simplex Sewage/Grinder Systems

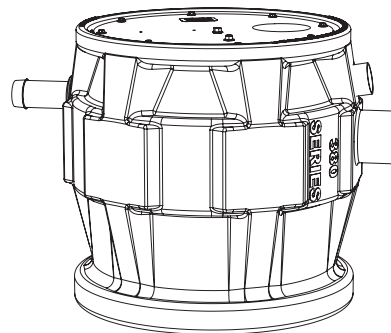
## Models



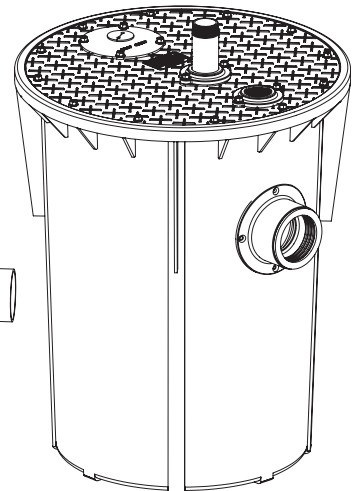
**Pro370-Series  
Sewage System**



**Pro380-Series  
Sewage System**



**Pro380-SD-Series  
Sewage System**



**700-Series  
Sewage System**

**ProVore® 380-Series  
Grinder System**

**ProVore® 380-SD-  
Series Grinder  
System**

**ProVore® 700-Series  
Grinder System**

---

Vertical Discharge  
21"D x 30"H  
41 Gallon System

Vertical Discharge  
24"D x 24"H  
41 Gallon System

Side Discharge  
24"D x 24"H  
41 Gallon System

Vertical Discharge  
24"D x 36"H  
70 Gallon System

***Indoor and Outdoor\*  
Installation***

***Indoor and Outdoor\*  
Installation***

***Indoor and Outdoor  
Installation***

***Indoor Installation  
Only***

*\* with optional Access Riser*





---

7000 Apple Tree Avenue  
Bergen, NY 14416  
ph: 800-543-2550  
fax: 585-494-1839  
www.LibertyPumps.com

# Contents

<i>Safety Precautions</i> .....	3   EN
<i>Introduction</i> .....	4   EN
<i>Basin Dimensions</i> .....	5   EN
<i>Cover Descriptions</i> .....	6   EN
<i>In-Ground Basin Installation</i> .....	6   EN
<i>Installation</i> .....	7   EN
<i>Access Cover and Float Switch Control</i> .....	8   EN
<i>Supplemental Installation Instructions</i> .....	9   EN
<i>Operation</i> .....	10   EN
<i>Maintenance and Troubleshooting</i> .....	10   EN
<i>Warranty</i> .....	10   EN

## Safety Guidelines

	This safety alert symbol is used in the manual and on the pump to alert of potential risk for serious injury or death.
	This safety alert symbol identifies <b>risk of electric shock</b> . It is accompanied with an instruction intended to minimize potential risk of electric shock.
	This safety alert symbol identifies <b>risk of fire</b> . It is accompanied with an instruction intended to minimize potential risk of fire.
	This safety alert symbol identifies <b>risk of serious injury or death</b> . It is accompanied with an instruction intended to minimize potential risk of injury or death.
<b>⚠ DANGER</b>	Warns of hazards which, if not avoided, <b>will</b> result in serious injury or death.
<b>⚠ WARNING</b>	Warns of hazards which, if not avoided, <b>could</b> result in serious injury or death.
<b>⚠ CAUTION</b>	Warns of hazards which, if not avoided, <b>could</b> result in minor or moderate injury.
<b>NOTICE</b>	Signals an important instruction related to the pump. Failure to follow these instructions could result in pump failure or property damage.

<b>⚠ WARNING</b>	<b>Read every supplied manual before using pump system. Follow all the safety instructions in manual(s) and on the pump. Failure to do so could result in serious injury or death.</b>
<b>NOTICE</b>	<b>Installer: manual must remain with owner or system operator/maintainer.</b>
<p>Keep this manual handy for future reference.</p> <p>For replacement manual, visit LibertyPumps.com, or contact Liberty Pumps at 800-543-2550.</p> <p>Retain dated sales receipt for warranty.</p>	<p>Record information from pump nameplate:</p> <p>Pump Model #: _____</p> <p>Pump Serial #: _____</p> <p>System #: _____</p> <p>Manufacture Date: _____</p> <p>Install Date: _____</p>

## Safety Precautions

---

### **WARNING** **RISK OF ELECTRIC SHOCK**

- Accidental contact with electrically live parts, items, fluid, or water can cause serious injury or death.
- Always disconnect pump(s) from power source(s) before handling or making any adjustments to either the pump(s), the pump system, or the control panel.
- All installation and maintenance of pumps, controls, protection devices, and general wiring shall be done by qualified personnel.
- All electrical and safety practices shall be in accordance with the National Electrical Code<sup>®</sup>, the Occupational Safety and Health Administration, or applicable local codes and ordinances.
- Do not remove cord and strain relief, and do not connect conduit to pump.
- Pump shall be properly grounded using its supplied grounding conductor. Do not bypass grounding wires or remove ground prong from attachment plugs. Failure to properly ground the pump system can cause all metal portions of the pump and its surroundings to become energized.
- Do not handle or unplug the pump with wet hands, when standing on damp surface, or in water unless wearing Personal Protective Equipment.
- Always wear dielectric rubber boots and other applicable Personal Protective Equipment (PPE) when water is on the floor and an energized pump system must be serviced, as submerged electrical connections can energize the water. Do not enter the water if the water level is higher than the PPE protection or if the PPE is not watertight.
- Do not lift or carry a pump or a float assembly by its power cord. This will damage the power cord, and could expose the electrically live wires inside the power cord.
- The electrical power supply shall be located within the length limitations of the pump power cord, and for below grade installations it shall be at least 4 ft (1.22 m) above floor level.
- Do not use this product in applications where human contact with the pumped fluid is common (such as swimming pools, fountains, marine areas, etc.).
- Protect the power and control cords from the environment. Unprotected power and control (switch) cords can allow water to wick through ends into pump or switch housings, causing surroundings to become energized.
- Single-phase 208/230V pumps shall only be operated without the float switch by using the circuit breaker or panel disconnect.
- Some products may have internal capacitors that could cause shock. Avoid contact with plug ends after removing from energy source.

### **WARNING** **RISK OF FIRE**

- Do not use an extension cord to power the product. Extension cords can overload both the product and extension cord supply wires. Overloaded wires will get very hot and can catch on fire.
- This product requires a separate, properly fused and grounded branch circuit, sized for the voltage and amperage requirements of the pump, as noted on the nameplate. Overloaded branch circuit wires will get very hot and can catch on fire. When used, electrical outlets shall be simplex of the appropriate rating.
- Do not use this product with or near flammable or explosive fluids such as gasoline, fuel oil, kerosene, etc. If rotating elements inside pump strike any foreign object, sparks may occur. Sparks could ignite flammable liquids.
- These pumps are not to be installed in locations classified as hazardous in accordance with the National Electric Code<sup>®</sup>, ANSI/NFPA 70.
- Sewage and effluent systems produce and may contain flammable and explosive gases. Prevent introduction of foreign objects into basin as sparks could ignite these gases. Exercise caution using tools and do not use electronic devices or have live, exposed electrical circuits in or around basins, open covers and vents.

### **WARNING** **RISK OF SERIOUS INJURY OR DEATH**

- Do not modify the pump/pump system in any way. Modifications may affect seals, change the electrical loading of the pump, or damage the pump and its components.
- All pump/pump system installations shall be in compliance with all applicable Federal, State, and Local codes and ordinances.
- Do not allow children to play with the pump system.
- Do not allow any person who is unqualified to have contact with this pump system. Any person who is unaware of the dangers of this pump system, or has not read this manual, can easily be injured by the pump system.
- In 208/230V installations, one side of the line going to the pump is always "hot", whether the float switch is on or off. To avoid hazards, install a double pole disconnect near the pump installation.
- Vent basin in accordance with local code. Proper venting of sewer and effluent gases alleviates poisonous gas buildup and reduces the risk of explosion and fire from these flammable gases.
- Wear adequate Personal Protective Equipment when working on pumps or piping that have been exposed to wastewater. Sump and sewage pumps often handle materials that can transmit illness or disease upon contact with skin and other tissues.
- Do not enter a pump basin after it has been used. Sewage and effluent can emit several gases that are poisonous.
- Do not remove any tags or labels from the pump or its cord.
- Keep clear of suction and discharge openings. To prevent injury, never insert fingers into pump while it is connected to a power source.

- Do not use this product with flammable, explosive, or corrosive fluids. Do not use in a flammable and/or explosive atmosphere as serious injury or death could result.
- This product contains chemicals known to the State of California to cause cancer and birth defects or other reproductive harm. [www.p65warnings.ca.gov](http://www.p65warnings.ca.gov).
- A grinder pump contains metal parts that rotate at high speeds. Be careful around pump base while power is connected. Make sure that the pump is either in the tank or clear from people and wires when in operation.

#### NOTICE

- ◆ Do not use pumps with fluid over 140°F (60°C). Operating the pump in fluid above this temperature can overheat the pump, resulting in pump failure.
- ◆ Do not use pump system with mud, sand, cement, hydrocarbons, grease, or chemicals. Pump and system components can be damaged from these items causing product malfunction or failure. Additionally, flooding can occur if these items jam the impeller or piping.
- ◆ Do not introduce any consumer item that is not toilet paper into a non-grinder (dewatering, effluent, sewage) pump/pump system. This includes, but is not limited to the following: feminine products, wipes, towels, towelettes, dental floss, swabs, pads, etc. Items such as these put the pump under undo strain and can result in pump/pump system failure. Additionally, it creates conditions for discharge line blockage.
- ◆ Do not run dry.
- ◆ The Uniform Plumbing Code® states that sewage systems shall have an audio and visual alarm that signals a malfunction of the system, to reduce the potential for property damage.
- ◆ Do not exert heavy pressure or run heavy equipment on the backfill material as this could cause the tank to collapse.
- ◆ Do not position the pump float directly under the inlet from drain tile or in the direct path of any incoming water.
- ◆ 700-Series are **not** suitable for outdoor applications.
- ◆ Pro370 and vertical discharge Pro380 and ProVore 380-Series systems require an Access Riser for outdoor use. Consult Liberty Pumps for ordering information.
- ◆ Unless specifically noted, covers are **not** traffic rated.

## Introduction

Before installation, read the following instructions carefully. Each pump is individually factory tested to ensure proper performance. Closely following these instructions will eliminate potential operating problems, assuring years of trouble-free service.

**ProVore grinder systems** (including **ProVore700-Series**) easily handle solids and sewage waste found in typical residential applications. Their unique cutter system grinds difficult wastes and then pumps it through a 1-1/2" or 2" discharge line. The **ProVore-Series** system is supplied with a 2" discharge outlet. Do not increase this pipe size above 2" as adequate flow rates may not be achieved for proper operation. Discharge sizes may be reduced to 1-1/4". Consult Liberty Pumps for proper pipe and system sizing.

**Pro-Series and ProVore-Series vertical discharge systems** come with an integral control system with alarm and QuickTree® float system. Pump and alarm floats are pre-set on the QuickTree system at proper operating levels. The QuickTree system is located under a separate access cover for ease of maintenance and service. Floats for both pump activation and alarm are mounted on a stainless steel tree (rod), separate from the pump. There is no need to disconnect plumbing or remove the pump to inspect service or replace floats. QuickTree floats are preset at the factory for optimum operating levels and should not be adjusted.

Systems also feature a clear disposable construction cover designed to protect the system during rough-in and masonry work. The protective cover should remain in place until finish plumbing; however, it can be removed and reinstalled if required. The cover is snapped into the threaded ports of the discharge and vent. To remove the clear cover, simply pull upward, disengaging it from the discharge and vent holes.

**Pro-Series and ProVore-Series** side discharge systems feature a 2" side discharge and 4" no-hub type inlet. Systems come pre-assembled from the factory with an automatic pump.

**700-Series systems (non-grinder types)** feature a heavy-duty basin with 4" inlet hub pre-assembled to basin. Systems come pre-assembled from the factory with pump and automatic controls pre-mounted, requiring no system assembly at job site. The cover is equipped with a 2" or 3" discharge and 2" or 3" vent flange.

Was current system sized by a professional? Minimum fluid flows are required in sewage applications. Consult Liberty Pumps for proper pump sizing prior to installation.

# Basin Dimensions

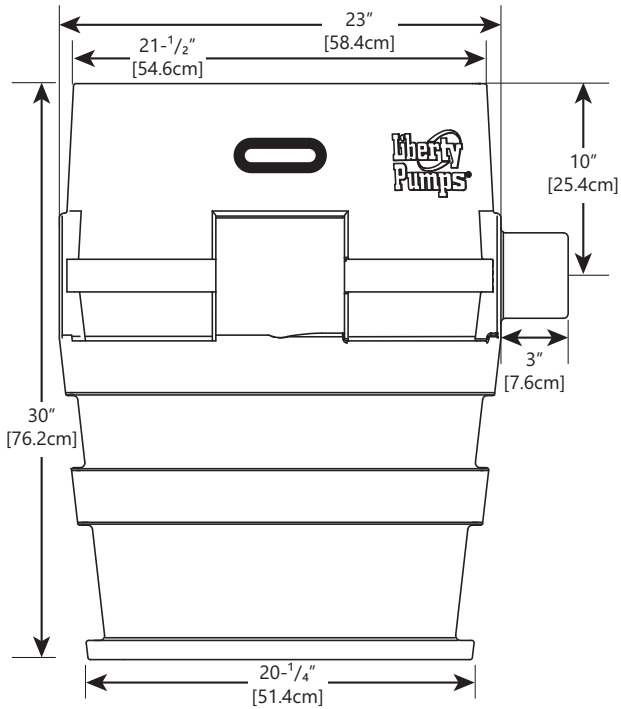


Figure 1. 370-Series Basin Dimensions

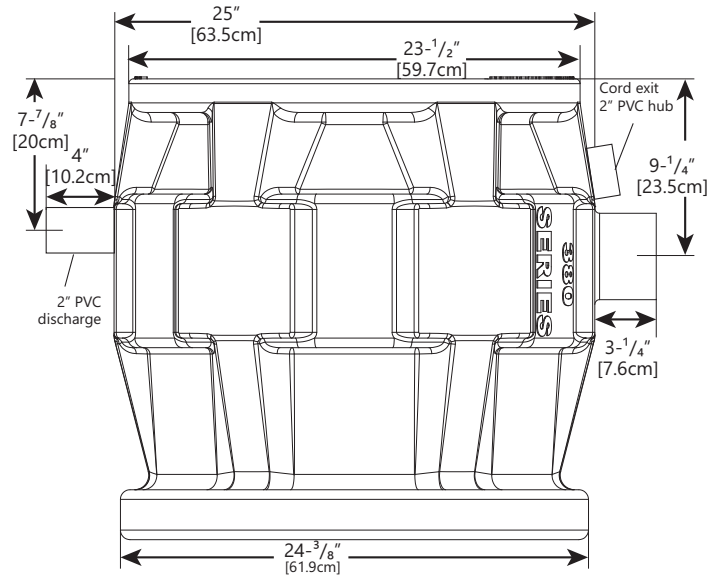


Figure 3. 380-Series Side Discharge Basin Dimensions

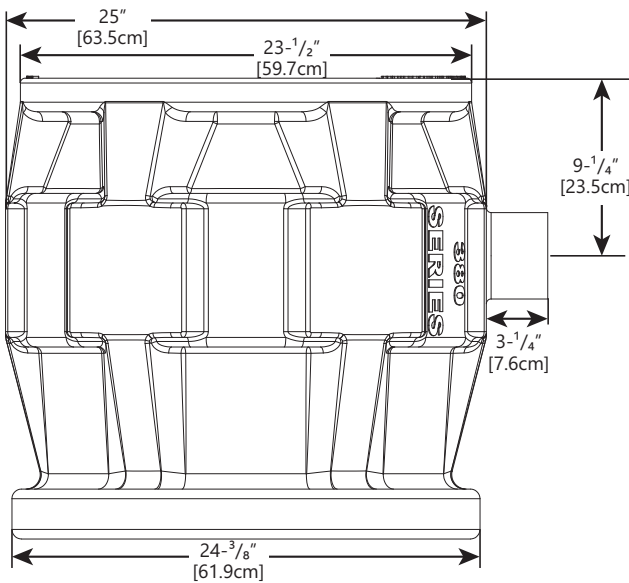


Figure 2. 380-Series Vertical Discharge Basin Dimensions

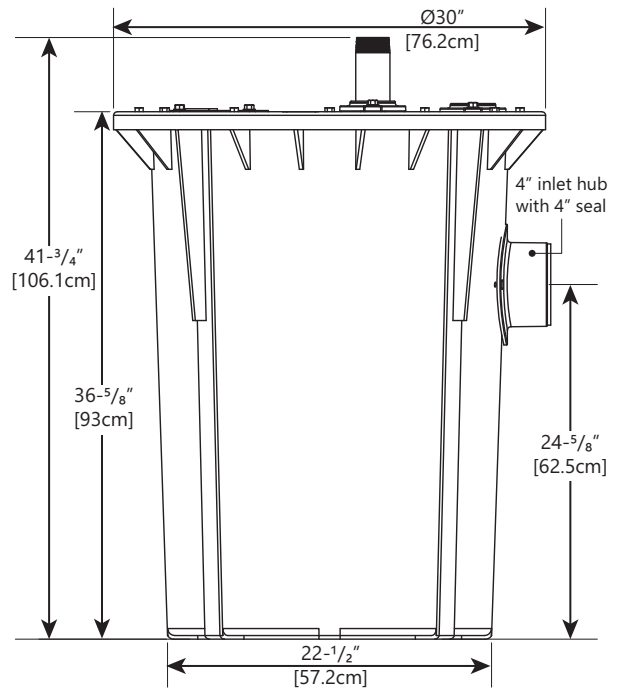


Figure 4. 700-Series Basin Dimensions

## Cover Descriptions

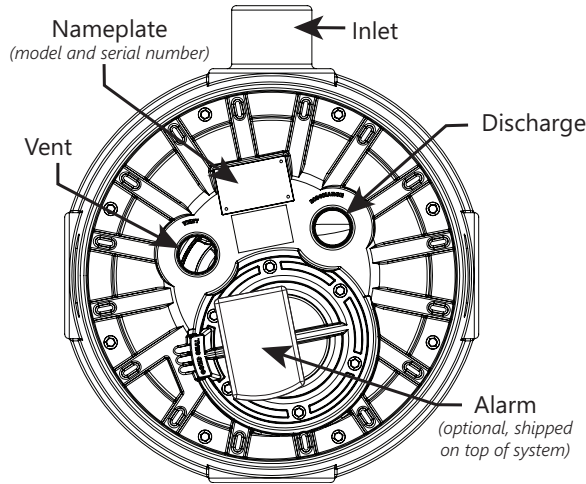


Figure 5. 370-Series Cover

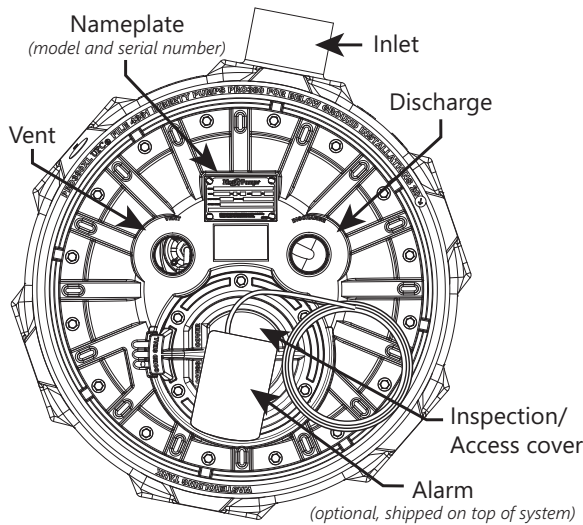


Figure 6. 380-Series Vertical Discharge Cover

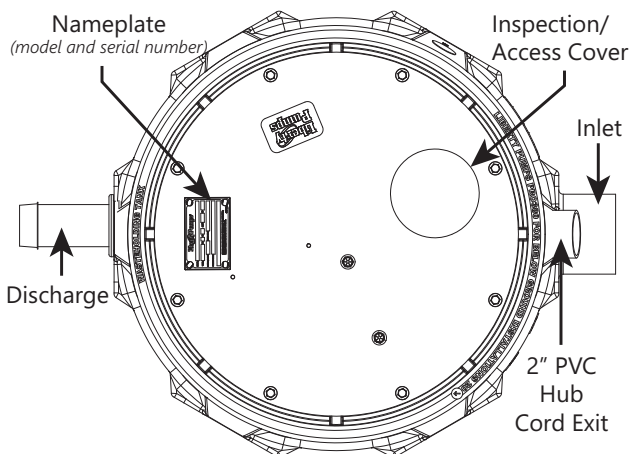


Figure 7. 380-Series Side Discharge Cover

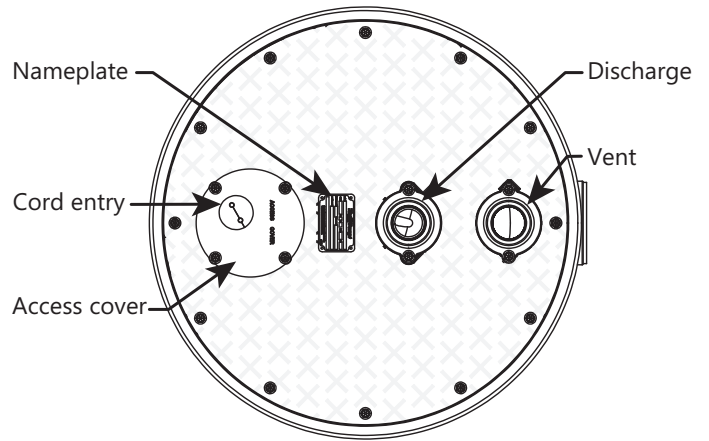


Figure 8. 700-Series Cover

## In-Ground Basin Installation

- ◆ 700-Series are **not** suitable for outdoor applications.
- ◆ Pro370 and vertical discharge systems Pro380 and ProVore 380-Series systems require an Access Riser for outdoor use. Consult Liberty Pumps for ordering information.
- ◆ Unless specifically noted, covers are **not** traffic rated.

ProVore and Pro-Series basins can be installed in both indoor and outdoor applications. The 700-Series basins are **not** suitable for outdoor applications and can only be installed indoors.

## Excavation

Excavate the hole as small as possible, with a minimum recommended 8" diametrical clearance around the tank. Never place the basin directly in contact with rocks or other sharp objects. Place only fine, 1/8" to 3/4" pea gravel or 1/8" to 1/2" washed, crushed stone as bedding between the basin and the hole walls. Do not use sand or native soil as backfill. **Properly compact underneath the basin to provide a solid, level base that can support the weight of the filled basin.** It is recommended that the top lip of the basin be level with the finished floor.

## Initial Backfill

Only fine, 1/8" to 3/4" pea gravel or 1/8" to 1/2" washed, crushed stone should be used around the bottom of the basin to hold it in place. Do not use sand or native soil as backfill. Make the inlet connection as required for particular basin.

## Inlet Connection

**Pro-Series** basins have a 4" inlet molded to the side of the tank. This inlet is sized to accept a 4" no-hub type coupling. 700-Series basins use a hub with a 4" seal for inlet connection.

Connect the gravity drainage line from the fixtures to this hub.



## Final Backfill

Large rocks, clods, and foreign objects should be kept out of the backfill material. Only fine, 1/4" to 3/4" pea gravel, or 1/8" to 1/2" washed, crushed stone is recommended. Do not use sand or native soil as backfill. Mound the backfill slightly and allow for natural settling. Provide access to the basin cover for maintenance and service.

### NOTICE

- ◆ Do not exert heavy pressure or run heavy equipment on the backfill material as this could cause the tank to collapse.

## Installation

### **⚠ WARNING** ⚡ RISK OF ELECTRIC SHOCK

- All installation and maintenance of pumps, controls, protection devices, and general wiring shall be done by qualified personnel.
- All electrical and safety practices shall be in accordance with the National Electrical Code®, the Occupational Safety and Health Administration, or applicable local codes and ordinances.

### NOTICE

- ◆ 700-Series are **not** suitable for outdoor applications.
- ◆ Pro370 and vertical discharge systems Pro380 and ProVore 380-Series systems require an Access Riser for outdoor use. Consult Liberty Pumps for ordering information.
- ◆ Unless specifically noted, covers are **not** traffic rated.
- ◆ Do not **increase** 702/PRG system discharge pipe size **above 2"** as adequate flow rates may not be achieved for proper operation. Contact Liberty Pumps with questions regarding proper pipe sizes and flow rates.

## Electrical Connections

With main power disconnected, complete pump and control wiring connections per manufacturer's wiring diagrams included with the control panel as applicable. All wires should be checked for unintentional grounds after the connections are made.

## Discharge

- ◆ **ProVore grinder systems including ProVore700-Series:** discharge size can be reduced to 1-1/4".
- ◆ **Pro-Series, ProVore-Series and 700-Series non-grinder systems:** discharge size must not be smaller than 2".

Using an adapter, connect the discharge pipe to the threaded 2" or 3" port provided on the cover (or the 2" PVC nipple used on side discharge models).

In some applications, it may be necessary to increase the pipe size to reduce friction losses. Contact Liberty Pumps with questions regarding proper pipe sizes and flow rates.

Install the remaining discharge line. In vertical discharge applications, a union should be installed just above the cover to facilitate pump removal if necessary (side discharge applications are equipped with an in-basin union).

For both vertical and side discharge systems, a check valve is required after the union to prevent the backflow of liquid after each pumping cycle. A gate or ball valve should follow the check valve to allow periodic cleaning of the check valve or removal of the pump. The remainder of the discharge line should be as short as possible with a minimum number of turns, to minimize friction head loss. Larger pipe sizes may be required to eliminate friction head loss over long runs. Contact Liberty Pumps or other qualified person if there are questions regarding proper pipe size and flow rates.

Figure 9 shows a typical installation. Variations may apply to actual installation.

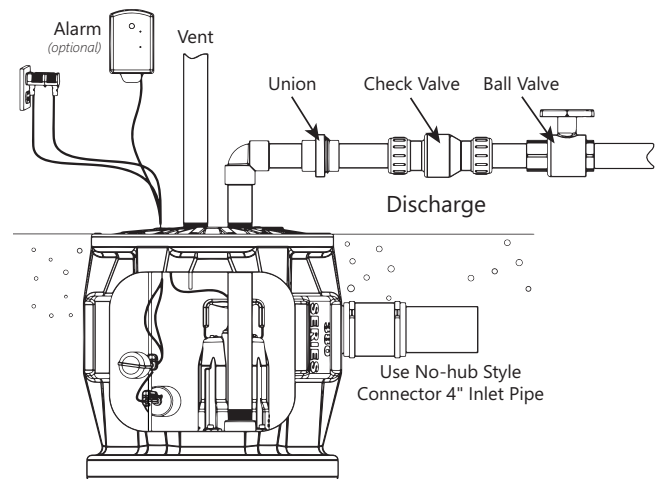


Figure 9. Typical Indoor Installation (Pro380-Series shown)

## Vent

For both side and vertical discharge systems, the vent size must be in accordance with applicable codes, but not less than the discharge size.

On vertical discharge models, a threaded 2" or 3" connection is provided on top of the cover. The vent must be piped to the existing building vent, or extended outside on its own standpipe.

On side discharge models, venting is accomplished through the inlet. See Figure 10 for Pro380-SD venting example through the inlet pipe as an alternative solution.

Pro-Series systems shipped with steel pipe option have a rubber grommet seal on the discharge instead of female NPT connections.

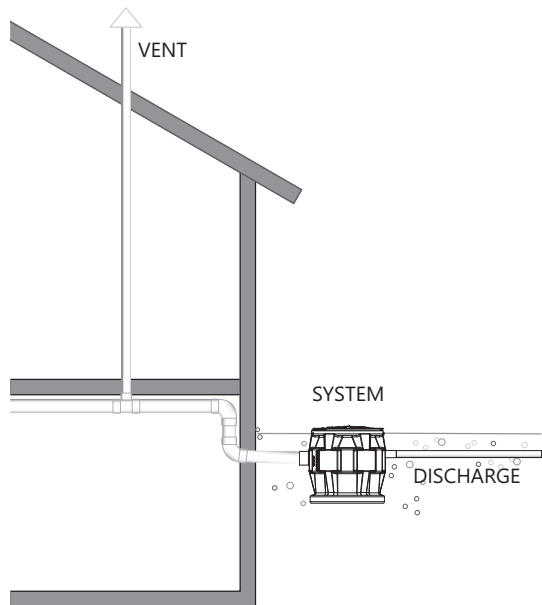


Figure 10. Example Pro380-SD Alternative Venting

## Piggyback Switch Operation

### **⚠️ WARNING** ⚡ RISK OF ELECTRIC SHOCK

- Single-phase 208/230V pumps shall only be operated without the float switch by using the circuit breaker or panel disconnect.
- Some products may have internal capacitors that could cause shock. Avoid contact with plug ends after removing from energy source.

**All Pro370 and vertical discharge Pro380-Series models** come factory-equipped with the float switch mounted on the QuickTree assembly. These models come with two cords—one to the float switch and the other to the pump motor. The switch cord has a series (piggyback) plug enabling the pump (motor) cord to be plugged into the back of it (Figure 11). The purpose of this design is to allow manual operation of the pump.

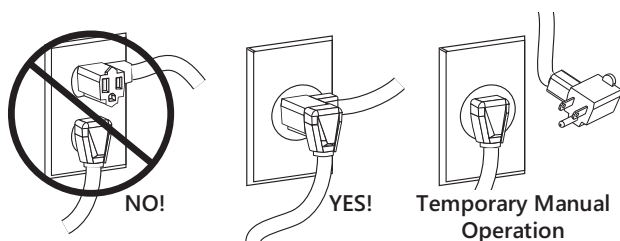


Figure 11. Piggyback Switch Operation

**For automatic operation**, the two cords should be interconnected and plugged into a separately fused, grounded outlet of proper amp capacity for the selected pump model. Both cords are equipped with 3-prong plugs and must be plugged into a properly grounded 3-wire receptacle. **Do not remove the ground prongs.**

**For manual operation**, or in the event of switch failure, the pump cord can be separated and plugged into the electrical outlet directly, bypassing the switch and using the circuit breaker or panel disconnect to operate the pump.

## Automatic Pump Direct Wiring

### **⚠️ WARNING** ⚡ RISK OF SERIOUS INJURY OR DEATH

- In 208/230V installations, one side of the line going to the pump is always “hot”, whether the float switch is on or off. To avoid hazards, install a double pole disconnect near the pump installation.

If a 1-phase pump will be wired directly into a junction box, and it is necessary to remove the plug, a certified electrician shall complete the wiring in accordance with the National Electric Code and applicable local codes. A disconnecting means for the pump shall be located in sight from the pump/basin location. See Figure 12 for direct wire installation of 1-phase, automatic pumps.

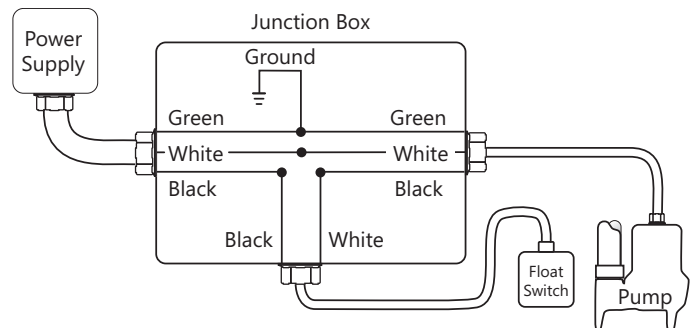


Figure 12. Direct Wiring of 115V or 208/230V, 1-Phase, Automatic

## Access Cover and Float Switch Control

### 370/380-Series Vertical Discharge

Liberty Pumps Pro370 systems and vertical discharge 380-Series systems feature QuickTree technology. Floats for both pump activation and alarm (if equipped) are mounted on the QuickTree, separate from the pump.

The QuickTree float system uses a stainless steel mounting rod (tree) and specially designed cord clamping brackets to affix the pump float and (optional) alarm float in the system. **All floats are preset at the factory at optimum operating levels and should not be adjusted.** Field adjusting floats may cause improper activation or turn-off of the pump and optional alarm.

**QuickTree removal and float inspection:** The QuickTree system is located under the separate access cover to help ease inspection, service, and replacement of a float. To inspect the float(s), simply unbolt the access cover and lift out the QuickTree assembly from its holder. There is no need to disconnect plumbing or remove the pump. Vertical discharge systems feature a manual pump (with no switch attached directly to the pump). Operation of the pump is accomplished by the QuickTree system.

**Re-inserting the QuickTree:** After service or inspection of the floats, re-insert the QuickTree into its holder. It is important that cords from the pump motor, float switch, and optional alarm float are properly sealed in the specially designed rubber sealing channels under the access cover. Proper sealing is required to keep sewer gas from leaking from the system. Place the cords securely in the rubber channels as shown in Figure 13 [left], being careful to remove excessive cord “slack” from inside the system.



**IMPORTANT:** Three cord channels are provided. For systems without the alarm option, only two channels are used and the third must be “plugged” with an attached rubber plug seal. See Figure 13 [right]. If the alarm cord is present, all three channels will be used. All rubber cover gaskets are permanently attached and do not require replacement.

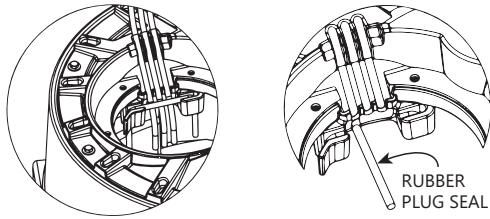


Figure 13. Proper Cord Sealing Behind QuickTree Rod

## QuickTree Settings

Table 1. Tether Length (Switch Position to Clamp)

Rod Position	Pro370-Series		Pro380-Series	
	Alarm Float	Control Float	Alarm Float	Control Float
1			3-1/2"	
2	3-1/2"			
3				3"
4		3-1/2"		

When servicing the QuickTree, place the switch cord into the trough or channel and then slip the stainless steel rod through the clamp. Tighten the screw with a Phillips screwdriver, being careful not to overtighten. Flats have been stamped on the rod to designate float position, and the screw should be tightened onto the flat. Tether length is the amount of cord between the clamp and float.

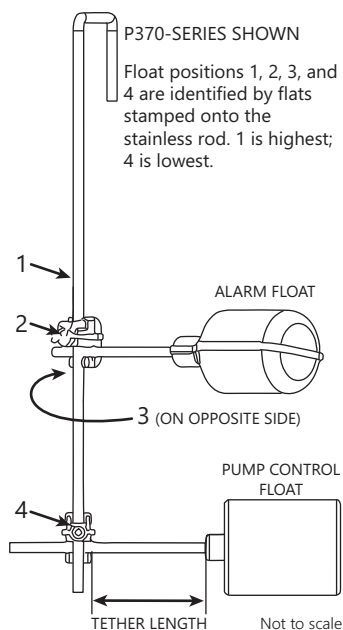


Figure 14. QuickTree Example Settings

## 380-Series Side Discharge

The 380-Series Side Discharge cover provides access to the float and alarm cord entry/exit seals. QuickTree is not available on 380-Series Side Discharge systems. Refer to Figure 7. Side discharge 380-Series systems are equipped with an automatic pump that has the control float attached to the pump while the alarm float (if equipped) is on the discharge pipe.

## 700-Series

The 700-Series cover contains access to the float and alarm cord entry/exit seals. QuickTree is not available on 700-Series systems. Refer to Figure 8. 700-Series systems are equipped with an automatic pump that has the control float attached to the pump while the alarm float (if equipped) is on the discharge pipe.

## Supplemental Installation Instructions

### Pro370XL/Pro380XL-Series 10' Stack Test Basins

XL-Series sewage ejector basins are designed to withstand the 10' stack test required by some municipalities. Proper installation of the specified cover flange is essential to ensure that the test is met. Strict adherence to these instructions is required. Under no circumstances should the cover be installed in a manner inconsistent with these instructions.

### Types of Systems

XL-Series basins are available as fully assembled systems complete with pump and discharge piping, as basin and cover assembly kits with no pump or plumbing, and as basins only. Follow the instructions below, as applicable, to correspond to the specific type of system.

### Basin Installation

For all systems, refer to the primary instructions supplied with this ejector system or basin for excavating the pit, plumbing connections, and backfilling.

If the top of the basin is below grade, an Access Riser (model ARC18) is required. The maximum burial depth is 18" with respect to the top of the basin. 370-Series and top discharge 380-Series systems require an Access Riser for outdoor use. Consult Liberty Pumps at 1-800-543-2550 or a local distributor for more information on ARC Series Access Risers.

### Installing the Pump in XL-Series Basin or XL Basin and Cover Assembly Kit

- Liberty Pumps XL-Series basins, purchased separately, will require the appropriate 16-bolt Pro-Series cover assembly to make an effectively sealed ejector system. Contact Liberty Pumps customer service for the proper cover for the application.

2. Size the length of the discharge piping to reach from the discharge of the pump to be within the discharge pipe socket with integral lip seal on the underside of the Pro-Series cover. Liberty Pumps sewage pumps will use threaded-one-end (TOE) nipples of 23.75" length for Pro370XL-Series Basins, or 17.50" long for Pro380XL-Series Basins. Install the pipe into the threaded discharge of the pump.
3. Lower the pump into the basin, fitting the pump legs into the torque stops.
4. Insert power cord for the pump—and the piggyback switch cord, if so equipped—through the underside of the inspection cover hole and position cover over pipe nipple while aligning the bolt holes. Sealant (such as silicone) can be applied on both sides of the rubber gasket surface to ensure proper sealing. Use sixteen 1/4-20 UNC bolts and washers to secure cover to the basin. Tighten bolts to 40 inch-pounds. **Do not overtighten bolts.** The soft, integral gasket will conform to the top of the tank. The bolts may be re-torqued up to 60 inch-pounds to seal any leaks that may occur during a 10' stack test.
5. Liberty Pumps recommends the use of manual type pumps and the appropriate Liberty Pumps QuickTree Switch Kit for mounting of pump control and alarm floats. Contact customer service for ordering information. Install the QuickTree Kit per instructions included. Liberty Pumps automatic type pumps with piggyback float switches may also be used. Lay the power cable and switch cable in the grooves in the inspection cover recess as shown in the primary instructions included with this system. Attach the inspection cover to the main cover using supplied bolts and washers. Sealant (such as silicone) can be applied on both sides of the rubber gasket surface to ensure proper sealing. Tighten the bolts furthest away from the power cord grooves first, torquing to 40 inch-pounds. **Do not overtighten bolts.** The soft, integral gasket will conform to the top of the cover and power cords. The bolts may be re-torqued up to 60 inch-pounds to seal any leaks that may occur during a 10' stack test.



Pro370XL and Pro380XL Series Basins IAPMO listed, # 4361

## Operation

Refer to the Startup and Operation sections provided in the supplied pump, control panel, alarm manuals as applicable.

## Maintenance and Troubleshooting

### **⚠️ WARNING** RISK OF ELECTRIC SHOCK

- Always disconnect pump(s) from power source(s) before handling or making any adjustments to either the pump(s), the pump system, or the control panel.

Refer to the Maintenance and Troubleshooting sections provided in the supplied pump, control panel, alarm manuals as applicable.

For further questions, contact customer service at 800-543-2550 or support@LibertyPumps.com.

## Warranty

### Liberty Pumps Wholesale Products Limited Warranty

Liberty Pumps, Inc. warrants that Liberty Pumps wholesale products are free from all factory defects in material and workmanship for a period of three (3) years from the date of purchase (excluding batteries). The date of purchase shall be determined by a dated sales receipt noting the model and serial number of the pump. The dated sales receipt must accompany the returned pump if the date of return is more than three years from the date of manufacture noted on the pump nameplate.

The manufacturer's sole obligation under this Warranty shall be limited to the repair or replacement of any parts found by the manufacturer to be defective, provided the part or assembly is returned freight prepaid to the manufacturer or its authorized service center, and provided that none of the following warranty-voiding characteristics are evident:

The manufacturer shall not be liable under this Warranty if the product has not been properly installed, operated, or maintained per manufacturer instructions; if it has been disassembled, modified, abused, or tampered with; if the electrical cord has been cut, damaged, or spliced; if the pump discharge has been reduced in size; if the pump has been used in water temperatures above the advertised rating; if the pump has been used in water containing sand, lime, cement, gravel, or other abrasives; if the product has been used to pump chemicals, grease, or hydrocarbons; if a non-submersible motor has been subjected to moisture; or if the label bearing the model and serial number has been removed.

Liberty Pumps, Inc. shall not be liable for any loss, damage, or expenses resulting from installation or use of its products, or for indirect, incidental, and consequential damages, including costs of removal, reinstallation or transportation.

**There is no other express warranty. All implied warranties, including those of merchantability and fitness for a particular purpose, are limited to three years from the date of purchase. This Warranty contains the exclusive remedy of the purchaser, and, where permitted, liability for consequential or incidental damages under any and all warranties are excluded.**

## Liberty Pumps®

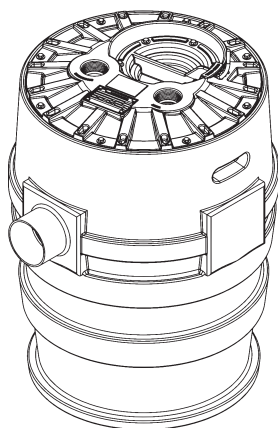
7000 Apple Tree Avenue  
Bergen, NY 14416  
ph: 800-543-2550  
fax: 585-494-1839  
www.LibertyPumps.com

## Manual de instalación

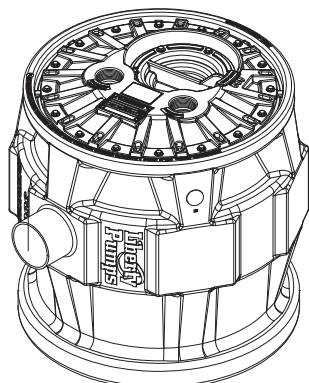
7225000J

# Sistemas trituradores/de alcantarillado simplex

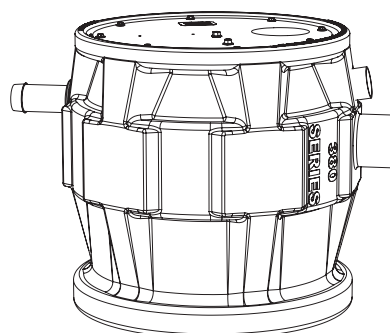
## Modelos



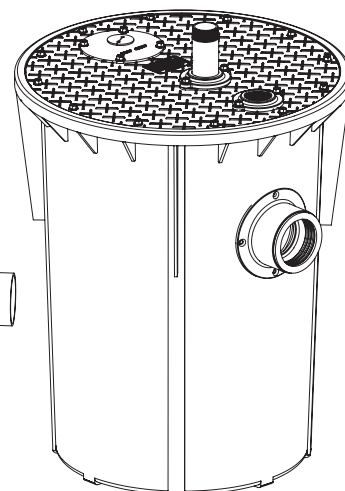
**Sistema de  
alcantarillado serie  
Pro370**



**Sistema de  
alcantarillado serie  
Pro380**



**Sistema de  
alcantarillado serie  
Pro380-SD**



**Sistema de  
alcantarillado  
serie 700**

**Sistema triturador  
serie ProVore® 380**

**Sistema triturador  
serie  
ProVore® 380-SD**

**Sistema triturador  
serie ProVore® 700**

Descarga vertical  
53.34 cm de diámetro x  
76.2 cm de altura  
(21 x 30 pulg.)  
Sistema de 41 galones

**Instalación interior y  
exterior\***

Descarga vertical  
60.96 cm de diámetro x  
60.96 cm de altura  
(24 x 24 pulg.)  
Sistema de 41 galones

**Instalación interior y  
exterior\***

Descarga lateral  
53.34 cm de diámetro x  
60.96 cm de altura  
(24 x 24 pulg.)  
Sistema de 41 galones

**Instalación interior y  
exterior**

Descarga vertical  
60.96 cm de diámetro x  
91.44 cm de altura  
(24 x 36 pulg.)  
Sistema de 70 galones





**Instalación interior  
solamente**

\* con acceso elevador opcional

# Contenido

<i>Medidas de seguridad</i> .....	3   ES
<i>Introducción</i> .....	4   ES
<i>Dimensiones de la cuenca</i> .....	5   ES
<i>Descripciones de la cubierta</i> .....	6   ES
<i>Instalación en el suelo de las cubetas</i> .....	6   ES
<i>Instalación</i> .....	7   ES
<i>Cubierta de acceso y control del interruptor de flotador</i> .....	9   ES
<i>Instrucciones de instalación suplementarias</i> .....	10   ES
<i>Funcionamiento</i> .....	11   ES
<i>Mantenimiento y solución de problemas</i> .....	11   ES
<i>Garantía</i> .....	11   ES

## Reglas de seguridad

	Este símbolo de alerta de seguridad se usa en el manual y en la bomba para alertar sobre el riesgo potencial de lesiones graves o la muerte.
	Este símbolo de alerta de seguridad identifica el <b>riesgo de descarga eléctrica</b> . Se acompaña con una instrucción destinada a minimizar el riesgo potencial de descarga eléctrica.
	Este símbolo de alerta de seguridad identifica el <b>riesgo de incendio</b> . Se acompaña con una instrucción destinada a minimizar el riesgo potencial de incendio.
	Este símbolo de alerta de seguridad identifica el <b>riesgo de lesiones graves o la muerte</b> . Se acompaña con una instrucción destinada a minimizar el riesgo potencial de lesión o muerte.
<b>PELIGRO</b>	Advierte sobre peligros que, si no se evitan, <b>provocarán</b> lesiones graves o la muerte.
<b>ADVERTENCIA</b>	Advierte sobre los peligros que, si no se evitan, <b>pueden</b> provocar lesiones graves o la muerte.
<b>ATENCIÓN</b>	Advierte sobre peligros que, si no se evitan, <b>pueden</b> ocasionar lesiones leves o moderadas.
<b>AVISO</b>	Señala una instrucción importante relacionada con la bomba. El incumplimiento de estas instrucciones puede ocasionar fallas en la bomba o daños a la propiedad.

<b>ADVERTENCIA</b>	<b>Lea todos los manuales suministrados antes de usar el sistema de bomba. Siga todas las instrucciones de seguridad de los manuales y de la bomba. De lo contrario, podrían producirse lesiones graves o la muerte.</b>
<b>AVISO</b>	<b>Instalador: el manual debe permanecer con el propietario o el operador/encargado del sistema.</b>
<p>Registre la información de la placa de identificación de la bomba:</p> <p>Mantenga este manual a mano para futuras referencias.</p> <p>Para obtener un manual de reemplazo, visite LibertyPumps.com, o comuníquese con Liberty Pumps al 1-800-543-2550.</p> <p>Conserve el recibo de venta fechado para la garantía.</p>	
<p>N.º de modelo de la bomba: _____</p> <p>N.º de serie de la bomba: _____</p> <p>N.º de sistema: _____</p> <p>Fecha de fabricación: _____</p> <p>Fecha de instalación: _____</p>	

## Medidas de seguridad

### ADVERTENCIA RIESGO DE SHOCK ELÉCTRICO

- El contacto accidental con partes, elementos, fluido o agua bajo tensión puede causar lesiones graves o la muerte.
- Desconecte siempre las bombas de las fuentes de alimentación antes de manipular o realizar cualquier ajuste en las bombas, el sistema de bomba o el panel de control.
- Toda la instalación y el mantenimiento de bombas, controles, dispositivos de protección y cableado general deben ser realizados por personal calificado.
- Todas las prácticas eléctricas y de seguridad deben realizarse según el National Electric Code®, la Administración de Seguridad y Salud Ocupacional, o los códigos y las ordenanzas locales aplicables.
- No quite el cable y el alivio de tensión, y no conecte el conducto a la bomba.
- La bomba debe estar correctamente conectada a tierra utilizando el conductor de conexión a tierra suministrado. No puentee los cables de conexión a tierra ni quite la conexión a tierra de los enchufes. Si el sistema de la bomba no se conecta a tierra correctamente, se pueden energizar todas las partes metálicas de la bomba y sus alrededores.
- No manipule ni desenchufe la bomba con las manos mojadas, mientras esté de pie sobre una superficie húmeda o en agua, a menos que use el equipo de protección personal.
- Siempre use botas de goma dieléctrica y otros equipos de protección personal (EPP) aplicables cuando haya agua en el piso y se deba revisar un sistema de bomba energizado, ya que las conexiones eléctricas sumergidas pueden energizar el agua. No ingrese en el agua si el nivel es más alto que la protección del EPP o si el equipo no es hermético.
- No levante ni transporte una bomba o un conjunto de flotador por el lado del cable de alimentación. Esto dañará el cable de alimentación y podría exponer los hilos bajo tensión dentro del cable.
- El suministro de energía eléctrica se debe ubicar dentro de las limitaciones de longitud del cable de alimentación de la bomba, y para las instalaciones por debajo del nivel del suelo debe ser de al menos 4 pies (1.22 m) por encima del nivel del suelo.
- No utilice este producto en aplicaciones donde el contacto humano con el fluido bombeado sea común (como piscinas, fuentes, áreas marinas, etc.).
- Proteja el cable de alimentación del medio ambiente. Los cables de alimentación y de interruptor desprotegidos pueden permitir que el agua se filtre a través de los extremos en la bomba o en la carcasa del interruptor y, de esta forma, energizar el entorno.
- Bombas monofásicas de 208/230V solo deben ser operadas sin el interruptor de flotador y deben utilizar el interruptor de circuito o tablero de desconexión.
- Algunos productos pueden tener condensadores internos que pueden causar shock. Evite el contacto con los extremos del enchufe después de retirarlo de la fuente de energía.

### ADVERTENCIA RIESGO DE FUEGO

- No use un cable de extensión para alimentar el producto. Los cables de extensión pueden sobrecargar tanto el producto como los hilos de suministro del cable de extensión. Los hilos sobrecargados se pueden calentar mucho y prenderse fuego.
- Este producto requiere un circuito derivado separado, con fusibles adecuados y conectado a tierra, dimensionado para los requisitos de voltaje y amperaje de la bomba, como se indica en la placa de identificación. Los cables de circuitos derivados sobrecargados se pueden calentar mucho y prenderse fuego. Cuando se utilizan los enchufes eléctricos deben ser simplex y de la clasificación adecuada.
- No utilice este producto con líquidos inflamables o explosivos como gasolina, aceite combustible, queroseno, etc., como así tampoco en sus cercanías. Si los elementos giratorios dentro de la bomba golpean cualquier objeto extraño, pueden producirse chispas. Las chispas podrían encender líquidos inflamables.
- Estas bombas no deben instalarse en ubicaciones clasificadas como peligrosas de acuerdo con el National Electric Code®, ANSI/NFPA 70.
- Los sistemas de alcantarillado y efluentes producen y pueden contener gases inflamables y explosivos. Evite la introducción de objetos extraños en la cuenca ya que las chispas podrían encender estos gases. Tenga cuidado al usar herramientas y no use dispositivos electrónicos o tenga circuitos eléctricos vivos y expuestos en o alrededor de cuencas, cubiertas abiertas y respiraderos.

### ADVERTENCIA RIESGO DE MUERTE

- No modifique el sistema de bomba/la bomba de ninguna manera. Las modificaciones pueden afectar los sellos, cambiar la carga eléctrica de la bomba, o dañar la bomba y sus componentes.
- Todas las instalaciones del sistema de bomba/la bomba deberán cumplir con todos los códigos y las ordenanzas federales, estatales y locales aplicables.
- No permita que los niños jueguen con el sistema de bomba.
- No permita que ninguna persona no calificada tenga contacto con este sistema de bomba. Cualquier persona que no tenga conocimiento de los peligros de este sistema de bomba o que no haya leído este manual, puede resultar fácilmente lesionada.
- En las instalaciones de 208/230V, un lado de la línea que va a la bomba siempre está "caliente", independientemente de si el interruptor de flotador está encendido o apagado. Para evitar riesgos, instale una desconexión de doble polo cerca de la instalación de la bomba.
- Cuenca de ventilación de acuerdo con el código local. La ventilación adecuada de los gases de alcantarilla alivia la acumulación de gas venenoso y reduce el riesgo de explosión y fuego de estos gases inflamables.
- Use equipo de protección personal adecuado cuando trabaje en bombas o tuberías que hayan estado expuestas a aguas residuales. Las bombas de sumidero y de aguas residuales a menudo manipulan materiales que pueden transmitir enfermedades al contacto con la piel y otros tejidos.



- No ingrese en un cuenca de bombeo después de que se ha utilizado. Las aguas residuales y los efluentes pueden emitir varios gases venenosos.
- No quite etiquetas de la bomba ni del cable.
- Manténgase alejado de las aberturas de succión y descarga. Para evitar lesiones, nunca inserte los dedos en la bomba mientras está conectada a una fuente de alimentación.
- No use este producto con fluidos inflamables, explosivos o corrosivos. No lo use en una atmósfera inflamable o explosiva, ya que podría ocasionar lesiones graves o la muerte.
- Este producto contiene productos químicos que el estado de California sabe que causan cáncer, defectos de nacimiento u otros daños reproductivos. [www.p65warnings.ca.gov](http://www.p65warnings.ca.gov).
- La bomba trituradora contiene piezas de metal que giran a gran velocidad. Tenga cuidado con la base de la máquina cuando la electricidad esté conectada. Cuando esté en funcionamiento, la bomba deberá encontrarse dentro del cuenca o alejada de personas y cables.

#### AVISO

- ◆ No utilice estas bombas con líquido a más de 140°F (60°C). Si lo hiciera, puede sobrecalentar la bomba y provocar una falla.
- ◆ No utilice el sistema de bomba con lodo, arena, cemento, hidrocarburos, grasa o productos químicos. Los componentes de la bomba y del sistema podrían dañarse, y provocar un mal funcionamiento o una falla del producto. Además, puede producirse una inundación si estos materiales atascan el impulsor o la tubería.
- ◆ No introduzca ningún artículo de consumo diario que no sea papel higiénico en bombas/sistemas de bombeo que no sean trituradoras (o de drenaje, efluentes o aguas residuales). Esto incluye, pero no está limitado a los siguientes artículos: productos femeninos, toallas, toallitas, hilo dental, toallitas limpiadoras, hisopos, etc. Materiales como estos ponen la bomba bajo tensión y puede resultar en un fallo de la bomba o del sistema de bombeo. Adicionalmente, crea condiciones de obstrucción en la línea de descarga.
- ◆ No utilice el sistema en seco.
- ◆ El Código uniforme de plomería (Uniform Plumbing Code®) establece que los sistemas de desagüe deben tener una alarma auditiva y visual que indique un mal funcionamiento del sistema para reducir el riesgo de daños materiales.
- ◆ No ejerza una presión excesiva ni trabaje con equipos pesados sobre el material de relleno, ya que podría colapsar el tanque.
- ◆ No coloque el flotador de la bomba directamente debajo del punto de admisión del tubo de desagüe o en el recorrido directo del agua entrante.
- ◆ La serie 700 no es adecuada para aplicaciones al aire libre.
- ◆ Los sistemas de la serie Pro370 y de descarga superior de la serie Pro380 y ProVore380 requieren un elevador de acceso para uso en exteriores. Consulte a Liberty Pumps al 1-800-543-2550 o un distribuidor local para obtener más información sobre los elevadores de acceso de la serie ARC.
- ◆ A menos que se indique específicamente, las cubiertas no tienen clasificación de tráfico.

## Introducción

Antes de la instalación, lea atentamente las siguientes instrucciones. Cada bomba se prueba individualmente en fábrica para garantizar un rendimiento adecuado. Si se respetan estas instrucciones, se evitarán posibles problemas operativos y se asegurará años de funcionamiento sin problemas.

**Los sistemas trituradores ProVore (incluyendo la serie ProVore700)** se encargan fácilmente de sólidos y desechos de aguas residuales que se encuentran en aplicaciones residenciales típicas. Su exclusivo sistema de corte tritura desechos difíciles y luego los bombea a través de una línea de descarga de 1-1/2 pulg. o 2 pulg. El sistema **serie ProVore** se suministra con una salida de descarga de 2 pulg. No aumente este tamaño de tubería por encima de 2 pulg. ya que es posible que no se logren tasas de flujo adecuadas para una operación adecuada. Los tamaños de descarga pueden reducirse a 1-1/4 pulg. Consulte a Liberty Pumps para conocer el tamaño correcto de la tubería y del sistema.

**Sistemas de descarga vertical Pro-Series** incluyen un sistema de control integral con alarma y QuickTree®. Los flotadores de la bomba y de la alarma están preconfigurados en el sistema QuickTree a niveles de funcionamiento adecuados. No ajuste los flotadores. El sistema QuickTree está ubicado debajo de una cubierta de acceso independiente para facilitar el mantenimiento y el servicio. Los flotadores para la activación de la bomba y la alarma están montados en un árbol de acero inoxidable (varilla), separados de la bomba. No es necesario desconectar la tubería ni retirar la bomba para inspeccionar el servicio o reemplazar los flotadores. Los flotadores QuickTree vienen preconfigurados de fábrica para obtener niveles operativos óptimos y no deben ajustarse.

Sistemas también cuentan con una cubierta de construcción desechable y transparente diseñada para proteger el sistema durante el trabajo preliminar y de albañilería. La cubierta protectora debe permanecer en su lugar hasta terminar la plomería; sin embargo, se puede quitar y reinstalar si es necesario. La cubierta se encaja en los puertos roscados de la descarga y la ventilación. Para quitar la cubierta transparente, simplemente tire hacia arriba desenganchándola de los orificios de descarga y ventilación.

**Los sistemas de descarga lateral Pro-Series y ProVore-Series** cuentan con una descarga lateral de 2" y una entrada de tipo sin cubo de 4". Los sistemas vienen premontados de fábrica con una bomba automática.

**Los sistemas de la serie 700 (tipos sin triturador)** cuentan con un lavabo para servicio pesado con un cubo de entrada de 4 pulg. preensamblado en el lavabo. El sistema viene preensamblado de fábrica con la bomba y los controles automáticos premontados, lo que no requiere ensamblaje del sistema en el sitio de trabajo. La cubierta está equipada con una descarga de 2 pulg. o 3 pulg. y una brida de ventilación de 2 pulg. o 3 pulg.

¿El sistema actual fue medido por un profesional? Se requieren flujos mínimos de fluido en aplicaciones de alcantarillado. Consulte a Liberty Pumps para conocer el tamaño correcto de la bomba antes de la instalación.

## Dimensiones de la cuenca

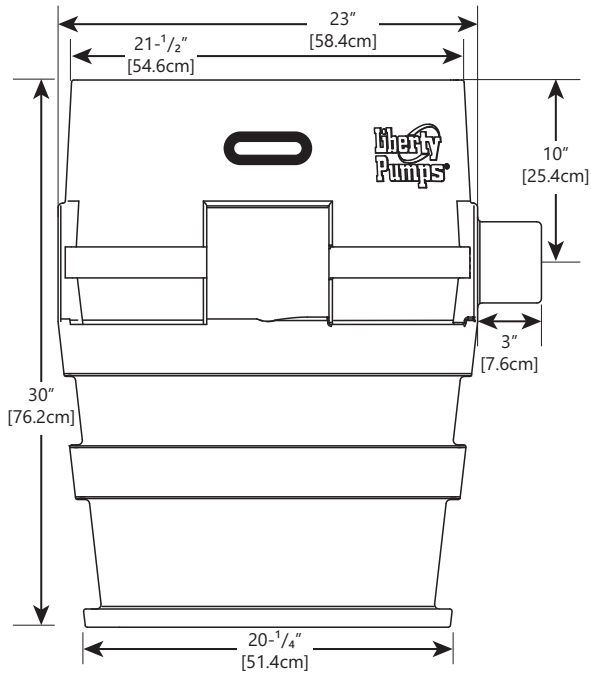


Figura 1. Dimensiones de la cubeta serie 370

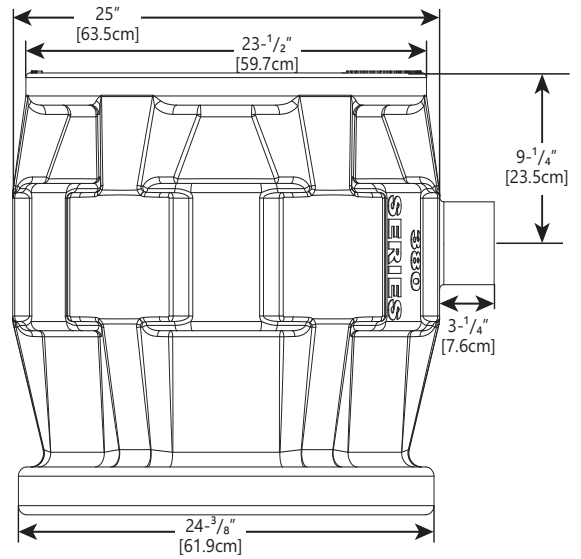


Figura 3. Dimensiones de la cubeta serie 380 de descarga vertical

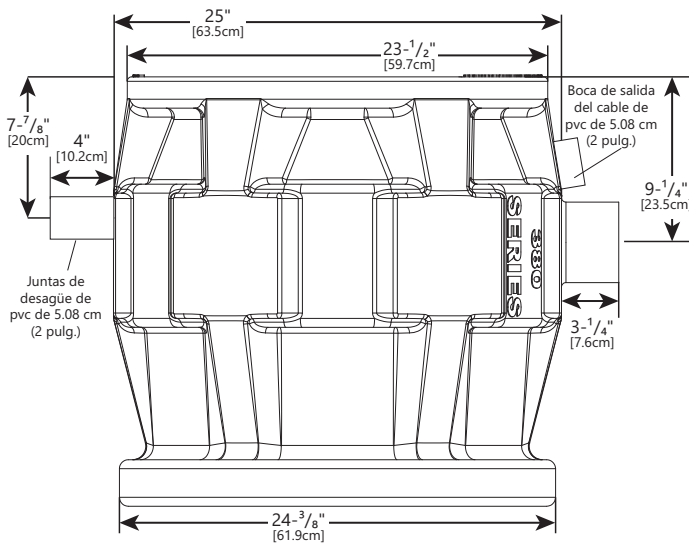


Figura 2. Dimensiones de la cubeta serie 380 de descarga lateral

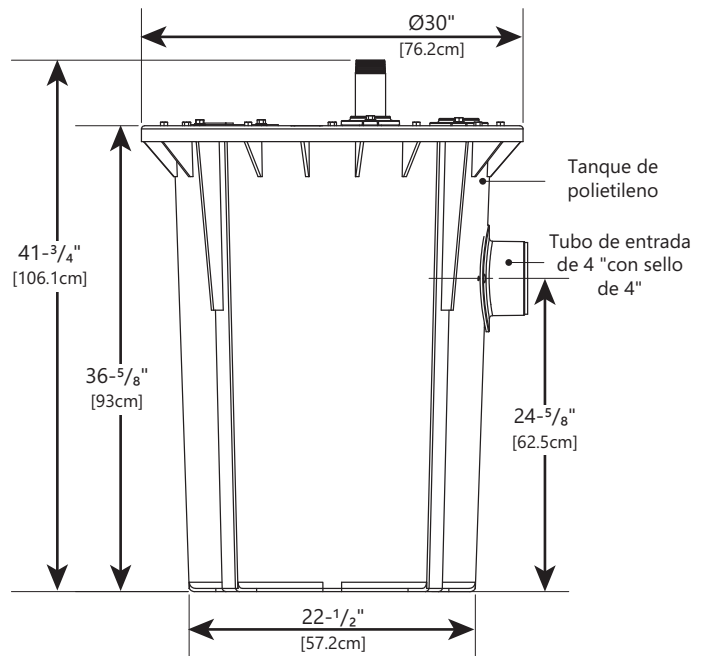


Figura 4. Dimensiones de la cubeta serie 700

## Descripciones de la cubierta

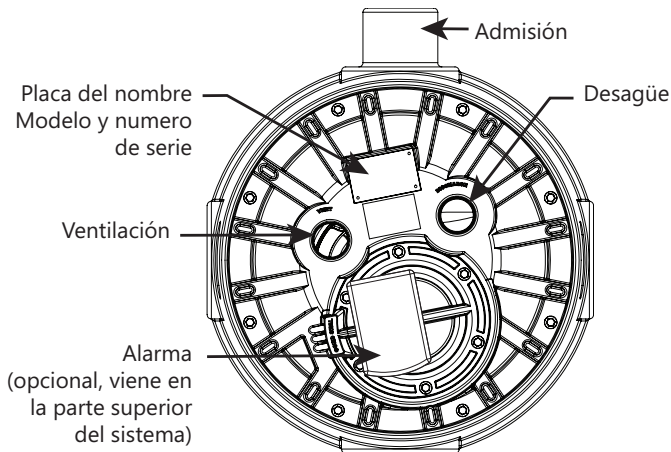


Figura 5. Cubierta serie 370

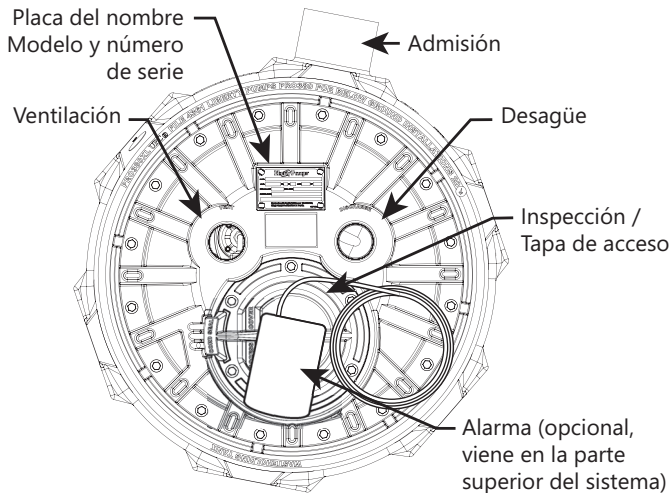


Figura 6. Cubierta de descarga vertical serie 380

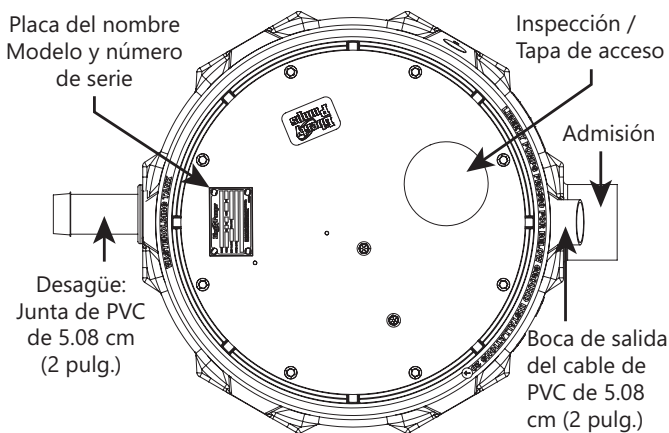


Figura 7. Cubierta de descarga lateral serie 380

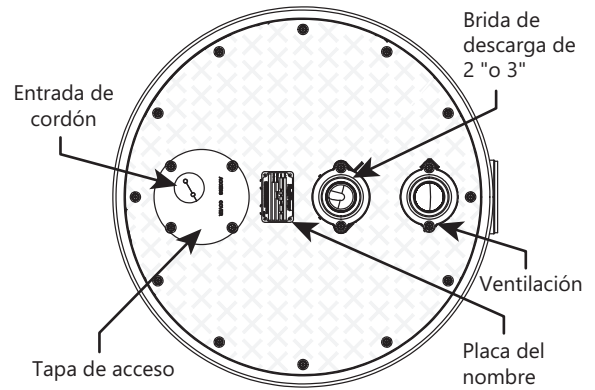


Figura 8. Cubierta serie 700

## Instalación en el suelo de las cubetas

- ◆ La serie 700 no es adecuada para aplicaciones al aire libre.
- ◆ Los sistemas de la serie Pro370 y de descarga superior de la serie Pro380 y ProVore380 requieren un elevador de acceso para uso en exteriores. Consulte a Liberty Pumps para obtener más información sobre los elevadores de acceso de la serie ARC.
- ◆ A menos que se indique específicamente, las cubiertas no tienen clasificación de tráfico.

Los lavabos ProVore y Pro-Series se pueden instalar tanto en aplicaciones interiores como exteriores. Los lavabos de la serie 700 no son adecuados para aplicaciones al aire libre y solo se pueden instalar en interiores.

### Excavación

Excave el orificio lo más pequeño posible, con una separación mínima recomendada de 8 pulg. de diámetro alrededor del tanque. Nunca coloque la cubeta en contacto directo con rocas u otros objetos punzantes. Coloque solo gravilla fina de 1/8 pulg. a 3/4 pulg. o piedra triturada lavada de 1/8 pulg. a 1/2 pulg. como lecho entre la cubeta y las paredes del orificio. No utilice arena o tierra del lugar como relleno. Realice una adecuada compactación debajo de la cubeta para proporcionar una base sólida y nivelada que pueda soportar el peso de la cubeta llena. Se recomienda que el borde superior de la cubeta esté nivelado con el piso terminado.

### Relleno inicial

Solo gravilla fina de 1/8 pulg. a 3/4 pulg. o de 1/8 pulg. a 1/2 pulg. lavada, se debe usar piedra triturada alrededor de la parte inferior de la cubeta para mantenerla en su lugar. No utilice arena o tierra del lugar como relleno. Haga la conexión de entrada según se requiera para esa cubeta en particular.

## Conexión de entrada

Las cubetas Pro-Series tienen una entrada de 4 pulg. moldeada al costado del tanque. Esta entrada está dimensionada para aceptar un acoplamiento de tipo sin cubo de 4 pulg. Las cubetas serie 700 utilizan un cubo con un sello de 4 pulg. para la conexión de entrada.

Conecte el tubo de desagüe por gravedad desde los accesorios a este cubo.

## Relleno final

Rocas grandes, terrones y objetos extraños deben mantenerse fuera del material de relleno. Se recomienda solo gravilla fina de 1/4 pulg. a 3/4 pulg. o piedra triturada lavada de 1/8 pulg. a 1/2 pulg. No utilice arena o tierra del lugar como relleno. Monte el relleno ligeramente y permite la sedimentación natural.

Proporcione acceso a la cubierta de la cubeta para mantenimiento y servicio.

### AVISO

- ◆ No ejerza una presión excesiva ni trabaje con equipos pesados sobre el material de relleno, ya que podría colapsar el tanque.

## Instalación

### ⚠ ADVERTENCIA ⚡ RIESGO DE SHOCK ELÉCTRICO

- Toda la instalación y el mantenimiento de bombas, controles, dispositivos de protección y cableado general deben ser realizados por personal calificado.
- Todas las prácticas eléctricas y de seguridad deben realizarse según el National Electric Code®, la Administración de Seguridad y Salud Ocupacional, o los códigos y las ordenanzas locales aplicables.

### AVISO

- ◆ La serie 700 no es adecuada para aplicaciones al aire libre.
- ◆ Los sistemas de la serie Pro370 y de descarga superior de la serie Pro380 y ProVore380 requieren un elevador de acceso para uso en exteriores. Consulte a Liberty Pumps para obtener más información sobre los elevadores de acceso de la serie ARC.
- ◆ A menos que se indique específicamente, las cubiertas no tienen clasificación de tráfico.
- ◆ No aumente el tamaño de la tubería de descarga del sistema 702 / PRG por encima de 2 pulg. ya que es posible que no se logren tasas de flujo adecuadas para una operación adecuada. Póngase en contacto con Liberty Pumps si tiene preguntas sobre los tamaños y caudales de tubería adecuados.

## Conexiones eléctricas

Con la alimentación principal desconectada, complete las conexiones de la bomba y del cableado de control según los diagramas de cableado que se incluyen con el panel de control según corresponda. Todos los cables deben revisarse para determinar si hay conexiones a tierra involuntarias después de que se realicen las conexiones.

## Descarga

- ◆ **Los sistemas trituradores ProVore® (incluyendo la serie ProVore700):** los tamaños de descarga pueden reducirse a 1-1/4 pulg.
- ◆ **Los sistemas Pro-Series, ProVore-Series y los sistemas de la serie 700 tipos sin triturador:** los tamaños de descarga no deben ser más pequeñas de 2 pulg.

Con un adaptador, conecte la tubería de descarga al puerto roscado de 2 pulg. o 3 pulg. provisto en la cubierta (o la boquilla de PVC de 2 pulg. usada en los modelos de descarga lateral).

En algunas aplicaciones, puede ser necesario aumentar el tamaño de la tubería para reducir las pérdidas por fricción. Póngase en contacto con Liberty Pumps si tiene preguntas sobre los tamaños y caudales de tubería adecuados.

Instale la tubería de desagüe restante. En aplicaciones de descarga vertical, se debe instalar una unión justo arriba de la cubierta para facilitar la extracción de la bomba si es necesario (las aplicaciones de descarga lateral están equipadas con una unión en la cubeta).

En los modelos de descarga vertical y lateral, se requiere una válvula de retención después de la unión para evitar el reflujo del líquido después de cada ciclo de bombeo. Una válvula de compuerta o de bola debe seguir la válvula de retención para permitir la limpieza periódica de la válvula de retención o la extracción de la bomba. El resto del tubo de desagüe debe ser lo más corto posible con un número mínimo de vueltas, para reducir la pérdida del cabezal de fricción. Se pueden requerir tamaños de tubería más grandes para eliminar la pérdida de la cabeza de fricción en recorridos largos. Póngase en contacto con Liberty Pumps u otra persona calificada si tiene alguna pregunta sobre el tamaño adecuado de la tubería y el caudal.

La Figura 9 muestra una instalación típica. Puede variar respecto de la instalación real.

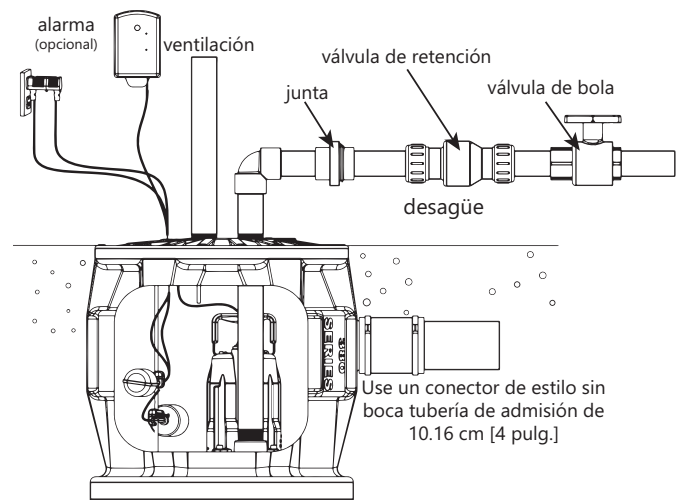


Figura 9. Instalación típica en interiores (se muestra serie Pro380)

## Ventilación

En los sistemas de descarga vertical y lateral, el tamaño de ventilación debe ser de acuerdo con los códigos aplicables, pero no menor que el tamaño de descarga.

En los modelos de descarga vertical, se proporciona una conexión roscada de 2 pulg. o 3 pulg. en la parte superior de la cubierta. La ventilación se debe canalizar a la ventilación existente del edificio, o extenderse afuera en su propio tubo vertical.

En los modelos de descarga lateral, la ventilación se realiza a través de la entrada. Vea la Figura 10 un ejemplo de ventilación a través de la tubería de entrada como una solución alternativa.

Los sistemas serie Pro enviados con opción de tubería de acero tienen un sello de goma en la descarga en lugar de conexiones NPT hembra.

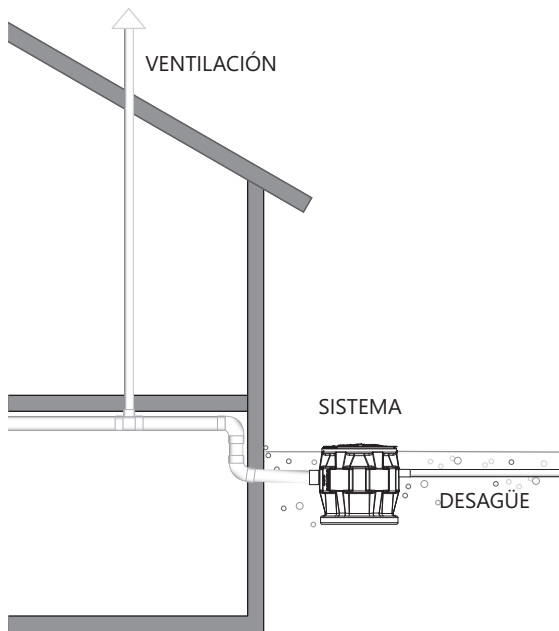


Figura 10. Ejemplo de ventilación alternativa Pro380-SD

## Funcionamiento del interruptor de lengüeta

### **⚠️ WARNING** ⚡ RIESGO DE SHOCK ELÉCTRICO

- Bombas monofásicas de 208/230V solo deben ser operadas sin el interruptor de flotador y deben utilizar el interruptor de circuito o tablero de desconexión.
- Algunos productos pueden tener condensadores internos que pueden causar shock. Evite el contacto con los extremos del enchufe después de retirarlo de la fuente de energía.

### Todos los modelos Pro370 y de descarga vertical serie 380

vienen equipados de fábrica con el interruptor de flotador montado en el conjunto QuickTree. Estos modelos vienen con dos cables, uno para el interruptor del flotador y el otro para el motor de la bomba. El cable del interruptor tiene un enchufe en serie (lengüeta) que permite enchufar el cable de la bomba (motor) en la parte posterior del mismo (Figura 11). El propósito de este diseño es permitir el funcionamiento manual de la bomba.

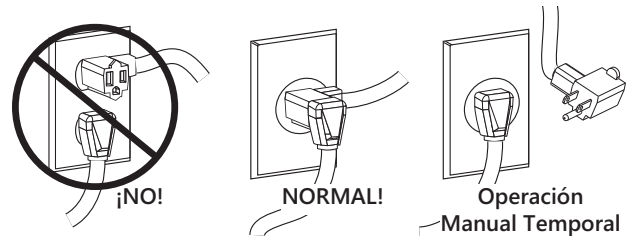


Figura 11. Funcionamiento del interruptor de lengüeta

**Para el funcionamiento automático**, los dos cables deben estar interconectados y enchufados a un toma de tierra con fusibles separados y con la capacidad de amplificación adecuada para el modelo de bomba seleccionado. Ambos cables están equipados con enchufes de 3 puntas y deben enchufarse a un receptáculo de 3 cables debidamente conectado a tierra. **No retire las puntas a tierra.**

**Para operación manual**, o en caso de falla del interruptor, el cable de la bomba puede separarse y enchufarse directamente a la toma de corriente eléctrica y así evitar el interruptor mediante el interruptor de circuito o la desconexión del panel para operar la bomba.

## Cableado directo de la bomba automática

### **⚠️ ADVERTENCIA** ⚡ RIESGO DE MUERTE

- En las instalaciones de 208/230V, un lado de la línea que va a la bomba siempre está "caliente", independientemente de si el interruptor de flotador está encendido o apagado. Para evitar riesgos, instale una desconexión de doble polo cerca de la instalación de la bomba.

Si la bomba se conecta directamente a caja de conexiones y es necesario retirar los enchufes, haga que un electricista certificado realice el cableado de acuerdo con el Código Eléctrico Nacional y los códigos locales aplicables. Un medio de desconexión para la bomba debe ubicarse a la vista desde la ubicación de la bomba / cuenca. Consulte la Figura 12 para ver la instalación directa de cables de bombas automáticas monofásicas.

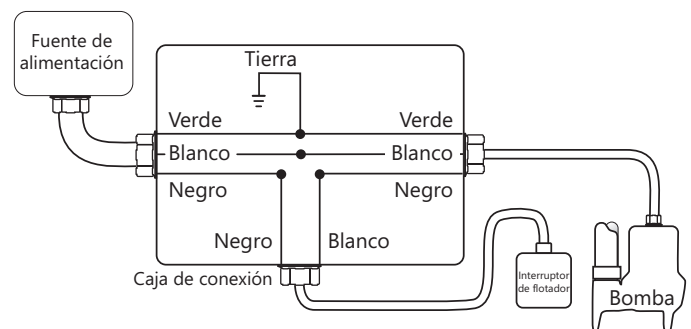


Figura 12. Cableado directo de 115V o 208V/230V, 1PH, bombas automáticas



## Cubierta de acceso y control del interruptor de flotador

### Serie 370/380 descarga vertical

Los sistemas Pro370 de Liberty Pumps y los sistemas verticales serie 380 ofrecen la tecnología QuickTree. Los flotadores para la activación y alarma de la bomba (si está equipado) están montados en el QuickTree, separados de la bomba.

El sistema de flotación QuickTree utiliza una varilla de montaje de acero inoxidable (árbol) y abrazaderas de sujeción de cable especialmente diseñadas para fijar el flotador de la bomba y el flotador de alarma (opcional) en el sistema. **Todos los flotadores están preajustados en fábrica a niveles operativos óptimos y no deben ajustarse.** Los flotadores de ajuste en el campo pueden provocar una activación o apagado incorrecto de la bomba y una alarma opcional.

**Inspección de flotación y extracción QuickTree:** el sistema QuickTree se encuentra debajo de la cubierta de acceso separada para ayudar a facilitar la inspección, el servicio y el reemplazo de un flotador. Para inspeccionar el(los) flotador(es), simplemente destrabe la cubierta de acceso y levante el ensamblaje QuickTree de su soporte. No hay necesidad de desconectar la tubería o quitar la bomba. Los sistemas verticales de descarga cuentan con una bomba manual (sin interruptor conectado directamente a la bomba). La operación de la bomba se realiza mediante el sistema QuickTree.

**Reinserción del QuickTree:** después del servicio o la inspección de los flotadores, vuelva a insertar el QuickTree en su soporte. Es importante que los cables del motor de la bomba, el interruptor de flotador y el flotador de alarma opcional estén sellados en los canales de sellado de caucho especialmente diseñados debajo de la cubierta de acceso. Se requiere un sellado apropiado para evitar que el gas del alcantarillado se filtre del sistema. Coloque los cables de forma segura en los canales de goma como se muestra en la Figura 13 [izquierda], teniendo cuidado de eliminar la "holgura" excesiva del cable desde el interior del sistema.

**IMPORTANTE:** se proporcionan tres canales de cable. Para los sistemas sin la opción de alarma, solo se utilizan dos canales y el tercero debe estar "enchufado" con un sello de tapón de goma conectado. Consulte la Figura 13 [derecha]. Si el cable de alarma está presente, se usarán los tres canales. Todas las juntas de cubierta de goma están fijadas permanentemente y no requieren reemplazo.

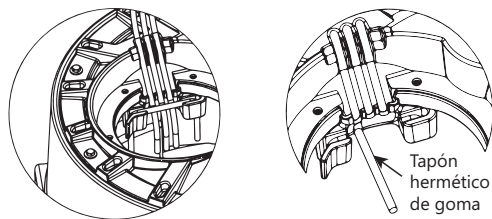


Figura 13. Sello de cable adecuado detrás de la varilla QuickTree

## Configuración de QuickTree

Tabla 1. Longitud de la correa (posición del interruptor a la abrazadera)

Posición de la barra	series Pro370		series Pro380	
	Flotador de alarma	Flotador de control	Flotador de alarma	Flotador de control
1			3-1/2"	
2	3-1/2"			
3				3"
4		3-1/2"		

Al realizar el mantenimiento del QuickTree, coloque el cable del interruptor en el canal y luego deslice la varilla de acero inoxidable a través de la abrazadera. Ajuste el tornillo con un destornillador Phillips, teniendo cuidado de no apretar demasiado. Los planos se han estampado en la varilla para designar la posición de flotación, y el tornillo debe apretarse en el plano. La longitud de la correa es la cantidad de cordón entre la abrazadera y el flotador.

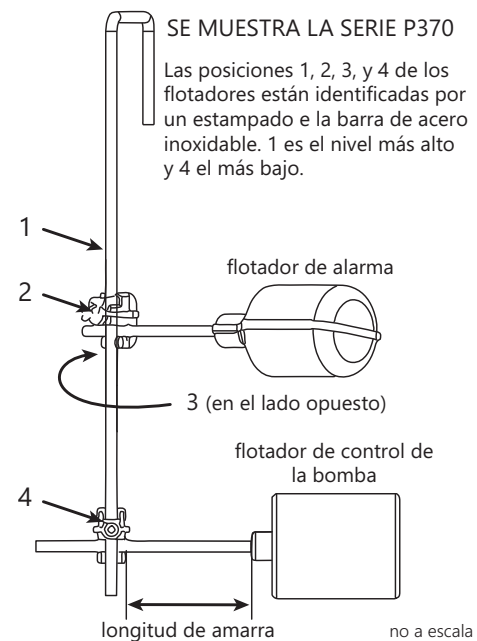


Figura 14. Configuración de ejemplo de QuickTree

### Serie 380 de descarga lateral

La cubierta serie 380 de descarga lateral contiene acceso a los sellos de entrada/salida del cable de alarma y flotación. Consulte la Figura 7. QuickTree no está disponible en los sistemas de la Serie 380 de descarga lateral. Los sistemas de descarga lateral de la serie 380 están equipados con una bomba automática que tiene el flotador de control conectado a la bomba mientras el flotador de alarma (si está equipado) está en la tubería de descarga.

## Serie 700

La cubierta serie 700 contiene acceso a los sellos de entrada/salida del cable de alarma y flotación. Consulte la Figura 8. QuickTree no está disponible en los sistemas de la serie 700. Los sistemas de la serie 700 están equipados con una bomba automática que tiene el flotador de control conectado a la bomba mientras el flotador de alarma (si está equipado) está en la tubería de descarga.

## Instrucciones de instalación suplementarias

### Cubetas de prueba de pilas de 10' Series Pro370XL/Pro380XL

Las cubetas de expulsión de aguas residuales serie XL están diseñadas para resistir la prueba de apilamiento de 10' requerida por algunos municipios. La instalación correcta de la brida de cubierta especificada es esencial para garantizar que se cumpla la prueba. Se requiere un estricto cumplimiento de estas instrucciones. Bajo ninguna circunstancia la cubierta debe instalarse de manera inconsistente con estas instrucciones.

#### Tipos de sistemas

Las cubetas serie XL están disponibles como sistemas completamente ensamblados que se completan con tuberías de bombeo y descarga, como conjuntos de ensamblaje de cubetas y cubiertas sin bomba o tuberías, y solo como depósitos. Siga las instrucciones a continuación, según sea necesario, para corresponder al tipo específico de sistema.

#### Instalación de la cubeta

Para todos los sistemas, consulte las instrucciones primarias que se suministran con este sistema expulsor o cubeta para excavar el pozo, las conexiones de plomería y el relleno.

Si la parte superior de la cubeta está por debajo del nivel, se requiere un elevador de acceso (modelo ARC18). La profundidad máxima de enterramiento es de 18 pulg. con respecto a la parte superior de la cubeta. Los sistemas de la serie 370 y de descarga superior de la serie 380 requieren un elevador de acceso para uso en exteriores. Consulte a Liberty Pumps al 1-800-543-2550 o un distribuidor local para obtener más información sobre los elevadores de acceso de la serie ARC.

### Instalación de la bomba en la cubeta serie XL o en el kit de ensamblaje de tapa y cubierta XL

1. Las cubetas serie XL de Liberty Pumps, adquiridas por separado, requerirán el conjunto de cubierta Pro-Series de 16 pernos apropiado para hacer un sistema de eyector sellado efectivamente. Póngase en contacto con el servicio al cliente de Liberty Pumps para obtener la cobertura adecuada para la aplicación.

2. Calibre la longitud de la tubería de descarga para que llegue desde la descarga de la bomba hasta el interior del zócalo de la tubería de descarga con sello de labio integral en la parte inferior de la cubierta Pro-Series. Las bombas de aguas residuales de Liberty Pumps utilizarán niples de rosca de un extremo (TOE) 17,50 de 23,75 pulg. de longitud para las cubetas serie Pro370XL, o de 17,50 pulg. de largo para las cubetas serie 380XL. Instale la tubería en la descarga roscada de la bomba.
3. Baje la bomba en la cubeta, ajustando las patas de la bomba en los toques de torque.
4. Inserte el cable de alimentación de la bomba, y el cable del interruptor de lengüeta, si está equipado, a través de la parte inferior del orificio de la tapa de inspección y coloque la cubierta sobre el niple de la tubería mientras alinea los orificios de los pernos. El sellador (como la silicona) se puede aplicar en ambos lados de la superficie de la junta de goma para asegurar un sellado adecuado. Use dieciséis pernos y arandelas UNC de 1/4-20 para asegurar la cubierta a la cubeta. Apriete los pernos a 40 pulgadas-libras. **No apriete demasiado los pernos.** La junta blanda e integral se ajustará a la parte superior del tanque. Los pernos pueden volver a apretarse hasta 60 pulgadas-libras para sellar cualquier fuga que pueda ocurrir durante una prueba de apilamiento de 10 pies.
5. Liberty Pumps recomienda el uso de bombas de tipo manual y el kit de interruptor QuickTree Liberty Pumps adecuado para montar el control de bomba y los flotadores de alarma. Comuníquese con el servicio al cliente para obtener información sobre pedidos. Instale el QuickTree Kit según las instrucciones incluidas. También se pueden usar las bombas de tipo automático Liberty Pumps con interruptores de flotador lengüeta. Coloque el cable de alimentación y el cable del interruptor en las ranuras en el hueco de la cubierta de inspección como se muestra en las instrucciones principales que se incluyen con este sistema. Coloque la cubierta de inspección en la cubierta principal usando los pernos y arandelas suministrados. El sellador (como la silicona) se puede aplicar en ambos lados de la superficie de la junta de goma para asegurar un sellado adecuado. Apriete los pernos más alejados de las ranuras del cable de alimentación primero, apretando a 40 pulgadas-libras. **No apriete demasiado los pernos.** La junta blanda e integral se ajustará a la parte superior de la cubierta y los cables de alimentación. Los pernos pueden volver a apretarse hasta 60 pulgadas-libras para sellar cualquier fuga que pueda ocurrir durante una prueba de apilamiento de 10 pies.



Cubiertas IAPMO serie Pro370XL y Pro380XL, n.º 4361

## Funcionamiento

---

Consulte las secciones de Inicio y Operación provistas en la bomba suministrada, el panel de control y los manuales de alarma, según corresponda.

## Mantenimiento y solución de problemas

---

### ADVERTENCIA RIESGO DE SHOCK ELÉCTRICO

- Desconecte siempre las bombas de las fuentes de alimentación antes de manipular o realizar cualquier ajuste en las bombas, el sistema de bomba o el panel de control.

Consulte las secciones de Mantenimiento y Solución de problemas provistas en la bomba suministrada, el panel de control y los manuales de alarma, según corresponda.

Para más preguntas, comuníquese con el servicio al cliente al 800-543-2550 o [support@LibertyPumps.com](mailto:support@LibertyPumps.com).

## Garantía

---

### Garantía limitada de Liberty Pumps Wholesale Products

---

Liberty Pumps, Inc. garantiza que los productos al por mayor de Liberty Pumps están libres de defectos de fábrica en cuanto a materiales y mano de obra por un período de tres (3) años a partir de la fecha de compra (sin incluir las baterías). La fecha de compra se determinará mediante un recibo de venta con fecha que indique el modelo y el número de serie de la bomba. El recibo de venta fechado debe acompañar a la bomba devuelta si la fecha de devolución es superior a tres años desde la fecha de fabricación indicada en la placa de identificación.

La única obligación del fabricante bajo esta Garantía se limitará a la reparación o el reemplazo de cualquier pieza que el fabricante considere defectuosa, siempre que la pieza o el ensamblaje se devuelvan con flete prepago al fabricante o al centro de servicio autorizado, y siempre que no se manifieste ninguna de las siguientes características de anulación de la garantía:

El fabricante no será responsable bajo esta Garantía si el producto no se ha instalado, operado o mantenido correctamente según las instrucciones del fabricante; si ha sido desmontado, modificado, utilizado indebidamente o alterado; si el cable eléctrico ha sido cortado, dañado o empalmado; si la descarga de la bomba se ha reducido en tamaño; si la bomba se ha utilizado en temperaturas de agua superiores a la calificación indicada; si la bomba se ha utilizado en agua que contiene arena, cal, cemento, grava u otros abrasivos; si el producto se ha utilizado para bombear productos químicos, grasa o hidrocarburos; si un motor no sumergible ha sido sometido a humedad; o si la etiqueta que lleva el modelo y el número de serie ha sido eliminada.

Liberty Pumps, Inc. no será responsable por ninguna pérdida, daño o gasto que resulte de la instalación o el uso de sus productos, ni por daños indirectos, incidentales y consecuentes, incluidos los costos de remoción, reinstalación o transporte.

No hay ninguna otra garantía expresa. Todas las garantías implícitas, incluidas las de comerciabilidad e idoneidad para un fin determinado, están limitadas a tres años a partir de la fecha de compra. Esta Garantía contiene el único recurso para el comprador y, donde esté permitido, se excluye la responsabilidad por daños consecuentes o incidentales bajo cualquiera y todas las garantías.

## Liberty Pumps®

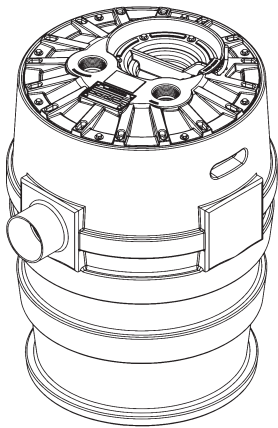
7000 Apple Tree Avenue  
Bergen, NY 14416 EUA  
teléfono: 800-543-2550  
fax: 585-494-1839  
[www.LibertyPumps.com](http://www.LibertyPumps.com)

## Manuel d'Installation

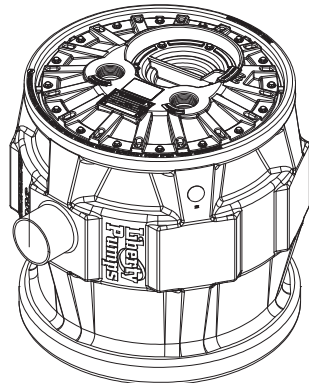
7225000J

# Systemes de broyage/d'égouts simplex

## Modèles

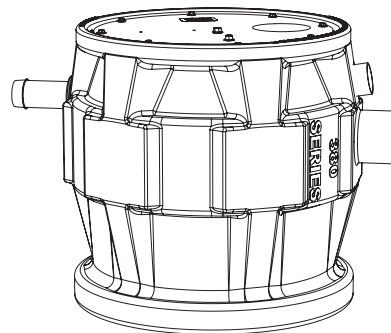


**Systeme d'égouts de la série Pro370**



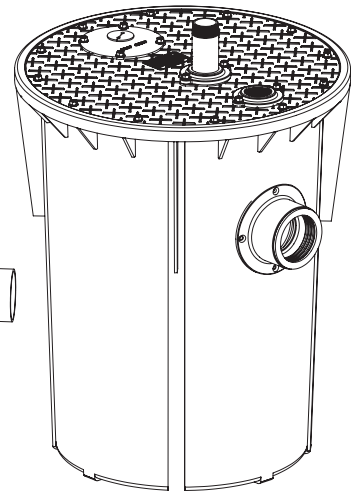
**Systeme d'égouts de la série Pro380**

**Systeme de broyeur série ProVore<sup>MD</sup>380**



**Systeme d'égouts de la série Pro380-SD**

**Systeme de broyeur série ProVore<sup>MD</sup>380-SD**



**Systeme d'égouts de la série 700**

**Systeme de broyeur série ProVore<sup>MD</sup>700**

Décharge verticale  
21 po D x 30 po H  
Systeme de 41 gallons

**Installation intérieure et extérieure\***

Décharge verticale  
24 po D x 24 po H  
Systeme de 41 gallons

**Installation intérieure et extérieure\***

Décharge latérale  
24 po D x 24 po H  
Systeme de 41 gallons

**Installation intérieure et extérieure**

Décharge verticale  
24 po D x 36 po H  
Systeme de 70 gallons

**Installation en intérieur seulement**





\* avec tuyau d'élévation d'accès en option

7000 Apple Tree Avenue  
Bergen, NY 14416 USA  
téléphone: 800-543-2550  
télécopieur: 585-494-1839  
www.LibertyPumps.com

# Table des matières

Mesures de sécurité .....	3   FR
Introduction .....	4   FR
Dimensions du bassin .....	5   FR
Descriptions de la couverture .....	6   FR
Installation de bassins dans le sol .....	6   FR
Installation .....	7   FR
Couvercle d'accès et commande interrupteur à flotteur .....	9   FR
Instructions d'installation complémentaires .....	10   FR
Fonctionnement .....	11   FR
Entretien et dépannage .....	11   FR
Garantie .....	11   FR

## Consignes de sécurité

	Ce symbole d'alerte de sécurité est utilisé dans le manuel et sur la pompe pour signaler un risque éventuel de blessures graves ou mortelles.
	Ce symbole d'alerte de sécurité identifie le <b>risque de choc électrique</b> . Il est accompagné d'instructions destinées à minimiser le risque éventuel de choc électrique.
	Ce symbole d'alerte de sécurité identifie le <b>risque d'incendie</b> . Il est accompagné d'instructions destinées à minimiser les risques éventuels d'incendie.
	Ce symbole d'alerte de sécurité identifie le <b>risque de blessures graves ou mortelles</b> . Il est accompagné d'instructions destinées à minimiser les risques éventuels de blessures graves ou mortelles.
<b>⚠ DANGER</b>	Il met en garde contre les dangers qui, s'ils sont négligés, <b>vont</b> entraîner des blessures graves ou mortelles.
<b>⚠ AVERTISSEMENT</b>	Il met en garde contre les dangers qui, s'ils sont négligés, <b>pourraient</b> entraîner des blessures graves ou mortelles.
<b>⚠ ATTENTION</b>	Il met en garde contre les dangers qui, s'ils sont négligés, <b>peuvent</b> entraîner des blessures légères ou moyennes.
<b>AVIS</b>	Signale une instruction importante liée à la pompe. Le non-respect de ces instructions peut entraîner une défaillance de la pompe ou des dommages matériels.

<b>⚠ AVERTISSEMENT</b>	<b>Lire tous les manuels fournis avant d'utiliser le système de pompe. Suivre l'ensemble des consignes de sécurité décrites dans le (les) manuel(s) et celles qui apparaissent sur la pompe. Le non-respect de ces consignes pourrait entraîner des blessures graves ou mortelles.</b>
<b>AVIS</b>	<b>Message à l'installateur : le manuel doit demeurer auprès du propriétaire ou de l'opérateur/ responsable de l'entretien du système.</b>
Garder ce manuel à portée de main pour référence future.	Enregistrer les informations de la plaque signalétique de la pompe:
Pour obtenir un manuel de remplacement, visiter le site LibertyPumps.com, ou communiquer avec Liberty Pumps au 1-800-543-2550.	N° de modèle de pompe: _____
Conserver le reçu de vente daté pour la garantie.	N° de série de la pompe: _____
	N° de système: _____
	Date de fabrication: _____
	Date d'installation: _____



## Mesures de sécurité

---



### RISQUE DE CHOC ELECTRIQUE

---

- Un contact accidentel avec des pièces sous tension, des objets, du liquide ou de l'eau peut causer des blessures graves ou mortelles.
- Toujours débrancher la(les) pompe(s) de sa(leur) source d'alimentation avant de la(les) manipuler ou d'effectuer des réglages au niveau de la(des) pompe(s), du système de pompe ou du panneau de commande.
- Toute installation et entretien des pompes, des commandes, des dispositifs de protection et du câblage général doivent être effectués par du personnel qualifié.
- Toutes les pratiques électriques et de sécurité doivent être conformes au Code national de l'électricité<sup>MD</sup>, aux normes établies par la *Occupational Safety and Health Administration* (l'Administration de la sécurité et de la santé au travail) ou aux codes et ordonnances locaux applicables.
- Ne pas retirer le cordon ni la bride de cordon, et ne pas raccorder la canalisation électrique à la pompe.
- La pompe doit être mise à la terre correctement à l'aide du conducteur de mise à la terre fourni. Ne pas contourner les fils de mise à la terre et ne pas retirer la broche de masse des fiches de branchement. Si le système de pompe n'est pas correctement mis à la terre, toutes les parties métalliques de la pompe et de son environnement pourraient être mises sous tension.
- Ne pas manipuler et ne pas débrancher la pompe avec les mains mouillées, en vous tenant sur une surface humide ou dans de l'eau à moins de porter un équipement de protection individuelle.
- Les connexions électriques submergées peuvent produire un courant électrique dans l'eau. Toujours porter des bottes diélectriques en caoutchouc et autres équipements de protection individuelle (EPI) en entretenant un système de pompe sous tension lorsqu'il y a de l'eau au sol. Ne pas circuler dans les endroits où le niveau d'eau est supérieur à la protection EPI ou si l'EPI n'est pas étanche.
- Ne pas soulever ni transporter une pompe ou un ensemble de flotteur par son cordon d'alimentation. Cela endommagera le cordon d'alimentation et pourrait exposer les fils sous tension électrique à l'intérieur du cordon d'alimentation.
- La prise d'alimentation électrique doit se trouver à la portée du cordon d'alimentation de la pompe et à au moins 4 pi (1,22 m) au-dessus du niveau du plancher dans le cas des installations sous le niveau du sol.
- N'utilisez pas ce produit pour les installations où les ouvriers peuvent entrer fréquemment en contact avec les liquides pompés (comme les piscines, les fontaines, les zones marines, etc.).
- Protéger le cordon d'alimentation de l'environnement. Les cordons d'alimentation et de commutation non protégés peuvent laisser l'eau traverser les extrémités et pénétrer dans les caissons de la pompe et des commutateurs, entraînant la mise sous tension de l'environnement.
- Les pompes monophasées 208/230 V ne doivent fonctionner sans l'interrupteur à flotteur qu'en utilisant le disjoncteur ou le panneau de déconnexion.

- Certains produits peuvent avoir des condensateurs internes susceptibles de provoquer un choc. Évitez tout contact avec les extrémités des fiches après les avoir retirées de la source d'énergie.



### RISQUE D'INCENDIE

---

- Ne pas utiliser de rallonge électrique pour alimenter le dispositif. Les rallonges peuvent surcharger à la fois les fils d'alimentation du dispositif et des rallonges électriques. Les fils surchargés peuvent devenir très chauds et prendre feu.
- Ce produit nécessite un circuit de dérivation dédié, correctement protégé par un fusible et mis à la terre, dimensionné pour répondre aux exigences de tension et d'intensité de courant électrique de la pompe, conformément aux informations apparaissant sur la plaque signalétique. Les fils de circuit de dérivation surchargés deviennent très chauds et peuvent prendre feu. Lorsqu'elles sont utilisées, les prises électriques doivent être des prises simples ayant les caractéristiques nominales appropriées.
- Ne pas utiliser ce produit avec ou près de liquides inflammables ou explosifs tels que l'essence, le mazout, le kérosène, etc. Des étincelles peuvent se produire si des éléments rotatifs à l'intérieur de la pompe heurtent un corps étranger. Les étincelles pourraient enflammer les liquides inflammables.
- Cette pompe ne doit pas être installée dans un endroit classé dangereux selon la norme ANSI/NFPA 70 du NEC (code national de l'électricité).
- Les systèmes d'égouts et d'effluents produisent et peuvent contenir des gaz inflammables et explosifs. Empêcher l'introduction d'objets étrangers dans le bassin car des étincelles pourraient enflammer ces gaz. Faites preuve de prudence en utilisant des outils et n'utilisez pas d'appareils électroniques ou ayez des circuits électriques sous tension dans ou autour des bassins, des couvercles ouverts et des événements.



### RISQUE DE BLESSURE GRAVE OU DE MORT

---

- Ne pas modifier la pompe / le système de pompe de quelque façon que ce soit. Les modifications peuvent affecter les joints d'étanchéité, modifier la charge électrique de la pompe ou endommager la pompe et ses composants.
- Toutes les installations de pompes/systèmes de pompe doivent être conformes à tous les codes et ordonnances fédéraux, provinciaux et locaux applicables.
- Ne pas laisser les enfants jouer avec le système de pompe.
- Ne permettre à aucune personne non qualifiée d'être en contact avec ce système de pompe. Toute personne qui n'est pas consciente des dangers inhérents à ce dispositif, ou qui n'a pas lu ce manuel, peut facilement être blessée en manipulant ou en étant en contact avec ce système de pompe.
- Dans les installations 208V/230V, un côté du câble allant vers la pompe est toujours sous tension, peu importe la position de l'interrupteur du flotteur (en position de marche ou d'arrêt). Pour éviter les risques d'électrocution, installer un interrupteur à deux points près de l'installation de la pompe.

- Ventouse conforme au code local. Une ventilation adéquate des gaz d'éégout et d'effluents atténue l'accumulation de gaz toxique et réduit le risque d'explosion et d'incendie de ces gaz inflammables.
- Porter des EPI adéquats pour travailler sur des pompes ou de la tuyauterie qui ont été exposées aux eaux usées. Les pompes d'assèchement et de puisard traitent souvent des matières qui peuvent transmettre des maladies au contact de la peau et d'autres tissus corporels.
- Ne jamais entrer dans le bassin pompage après qu'il ait servi. Les égouts et effluents peuvent émettre plusieurs gaz toxiques.
- Ne pas retirer les étiquettes de la pompe ou de son cordon.
- Demeurer à l'écart des orifices d'aspiration et d'évacuation. Pour éviter toute blessure, ne jamais introduire les doigts dans la pompe pendant qu'il est connecté à une source d'alimentation.
- Ne pas utiliser ce produit pour pomper des liquides inflammables, explosifs ou corrosifs. Ne pas utiliser la pompe dans une atmosphère contenant des substances inflammables et/ou explosives au risque d'entraîner des blessures graves ou mortelles.
- Ce dispositif contient des produits chimiques reconnus par l'État de la Californie comme pouvant causer le cancer, des anomalies congénitales ou d'autres problèmes du système reproducteur. [www.p65warnings.ca.gov](http://www.p65warnings.ca.gov).
- La pompe broyeuse contient des pièces de métal qui tournent à des vitesses élevées. Faire preuve de prudence à proximité de la pompe lorsque celle-ci est sous tension. S'assurer que la pompe est bien dans le réservoir ou qu'aucune personne ni aucun câble ne se trouvent à proximité lorsque celle-ci fonctionne.

#### AVIS

- ◆ Ne pas utiliser ces pompes avec un liquide dont la température est supérieure à 140° F (60° C). Le pompage de liquides à des températures plus élevées peut entraîner une surchauffe et causer une panne de pompe.
- ◆ Ne pas utiliser le système de pompage avec de la boue, du sable, du ciment, des hydrocarbures, de la graisse ou des produits chimiques. De telles substances peuvent endommager les composants mécaniques et entraîner un fonctionnement défectueux ou une défaillance de la pompe et du système de pompage. De plus, une inondation peut se produire si ces substances obstruent la pompe ou la tuyauterie.
- ◆ N'introduire aucun article de consommation autre que du papier toilette dans une pompe non broyeuse (assèchement, effluents, eaux usées) ou dans un système de pompe. Cela inclut, sans toutefois s'y limiter, les articles suivants : produits d'hygiène féminine, chiffons, essuie-tout, serviettes, fil de soie dentaire, tampons, serviettes sanitaires, etc. Ce type d'articles mettent la pompe sous tension et peuvent entraîner une défaillance de la pompe ou du système de pompe. De plus, cela crée un risque de blocage du tuyau d'évacuation.
- ◆ Ne pas faire fonctionner à sec.
- ◆ Ne pas exercer de pression excessive ni utiliser d'équipement lourd sur le matériau de remplissage, car cela pourrait causer l'affaissement du réservoir.

- ◆ Le Uniform Plumbing Code<sup>MD</sup> (UPC, Code de plomberie universel) stipule que les systèmes d'éégout doivent être munis d'une d'alarme sonore et visuelle qui signale tout mauvais fonctionnement du système, afin de réduire les risques de dommages à la propriété.
- ◆ Ne pas placer le flotteur de la pompe directement sous l'entrée du drain ou sur le passage direct des eaux d'entrée.
- ◆ La série 700 ne convient pas aux applications en extérieures.
- ◆ Les systèmes de la série 370 et à décharge supérieure de la série Pro380 et ProVore380 nécessitent un élévateur d'accès pour une utilisation en extérieur. Consultez Liberty Pumps au 1 800 543-2550 ou un distributeur local pour plus d'informations sur les colonnes montantes de la série ARC.
- ◆ Sauf indication contraire, les couvertures ne sont pas classées en fonction du trafic.

## Introduction

Lire attentivement les directives avant d'effectuer l'installation. Chaque pompe est testée individuellement en usine pour assurer un bon fonctionnement. Le fait de suivre ces directives à la lettre éliminera les risques de problèmes de fonctionnement et assurera des années de service sans soucis.

**Systèmes de broyeur ProVore** (y compris **série ProVore700**) traite facilement les résidus solides et d'éégout que l'on retrouve dans les utilisations domestiques types. Son système de couteau unique broie les déchets problématiques, puis les élimine par une ligne d'évacuation de 3,8 cm (1-1/2 po) ou 5 cm (2 po). Le **système ProVore** est fourni avec une sortie de 5 cm (2 po). Ne pas augmenter la dimension de ce tuyau à plus de 2 po, puisque les débits nécessaires au bon fonctionnement pourraient ne pas être atteints. La dimension des lignes d'évacuation peut être réduite à 3,2 cm (1-1/4 po). Consulter Liberty Pumps pour le dimensionnement approprié des tuyaux et du système.

**Systèmes de décharge latérale Pro-Series** sont livrés avec un système de contrôle intégral avec alarme et QuickTree<sup>MD</sup>. Les flotteurs de la pompe et de l'alarme du système QuickTree sont réglés en usine au bon niveau de fonctionnement. Ne pas ajuster les flotteurs. Le système QuickTree est situé sous un couvercle d'accès séparé pour faciliter l'entretien et les réparations. Les flotteurs pour actionner la pompe et l'alarme (le cas échéant) sont fixés sur un arbre d'acier inoxydable (tige), indépendant de la pompe. Il n'est pas nécessaire de défaire les raccords de plomberie ou de retirer la pompe pour examiner, entretenir ou remplacer les flotteurs. Les flotteurs QuickTree sont réglés en usine pour un fonctionnement optimal et ne doivent pas être ajustés.

Systèmes comportent un couvercle transparent de construction jetable conçu pour protéger le système durant les travaux d'installation et de maçonnerie. Le couvercle protecteur doit demeurer en place jusqu'à ce que les travaux de plomberie soient exécutés; cependant, il peut être démonté et réinstallé au besoin. Le couvercle est enclenché sur les orifices filetés des conduits d'évacuation et d'évent. Pour retirer le couvercle transparent, le soulever tout simplement des orifices filetés des conduits d'évacuation et d'évent.

**Les systèmes de décharge latérale de la série Pro et de la série ProVore** disposent d'une décharge latérale de 2 po et d'une entrée de type sans moyeu de 4 po. Les systèmes sont pré-assemblés en usine avec une pompe automatique.

**Les systèmes de la série 700 (sans broyeur)** sont équipés d'un lavabo robuste avec un moyeu d'entrée de 4 po pré-assemblé au bassin. Le système est livré pré-assemblé en usine avec des pompes et des commandes automatiques pré-montées, ne nécessitant aucun assemblage du système sur le chantier. La couverture est équipée d'une décharge de 2 po ou 3 po et d'une bride de ventilation de 2 po ou 3 po.

Le système actuel a-t-il été dimensionné par un professionnel? Un débit minimum de liquide est nécessaire dans les systèmes d'égout. Consulter Liberty Pumps pour déterminer la taille de la pompe avant l'installation.

## Dimensions du bassin

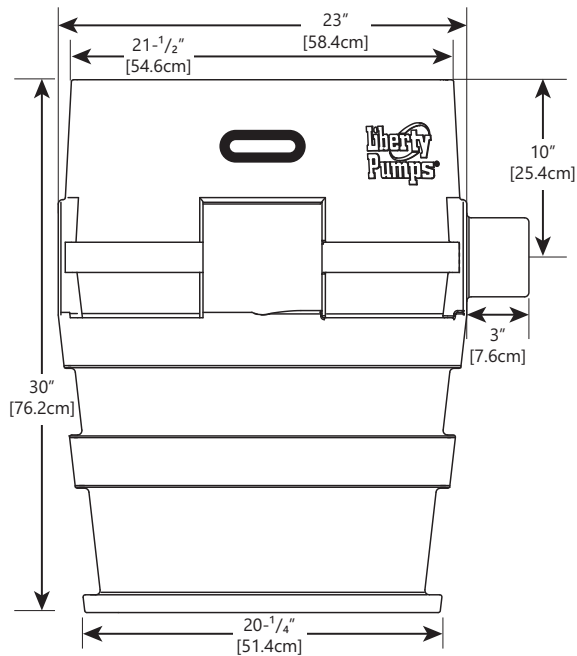


Figure 1. Dimensions du bassin série 370

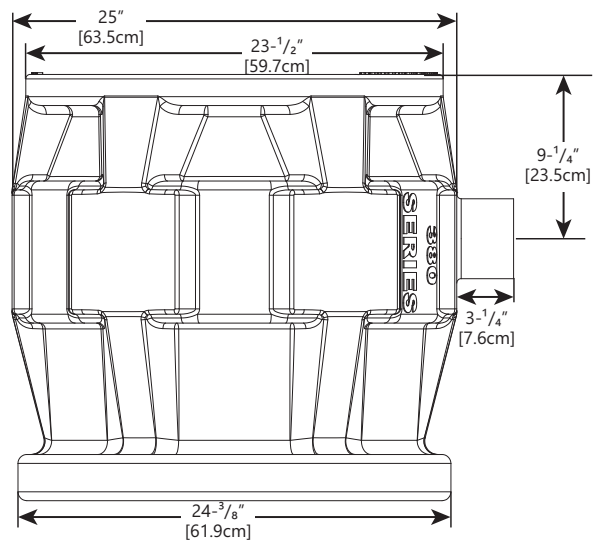


Figure 3. Dimensions du bassin à décharge verticale série 380

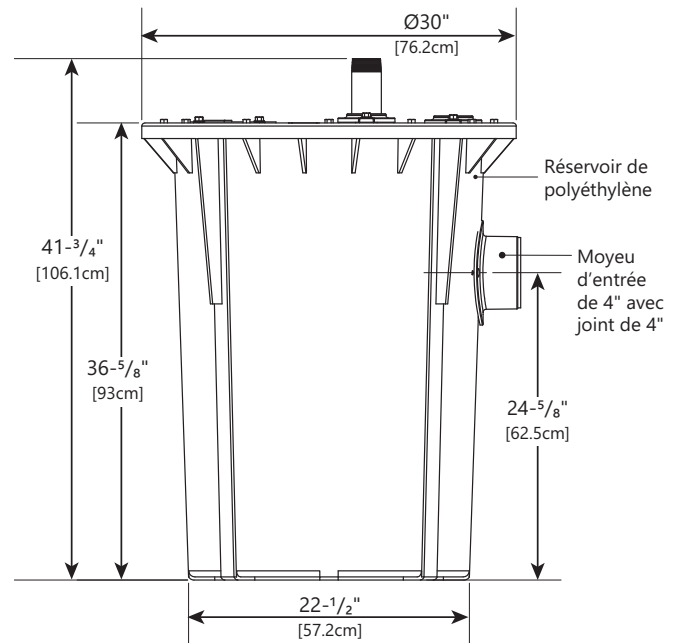


Figure 4. Dimensions du bassin série 700

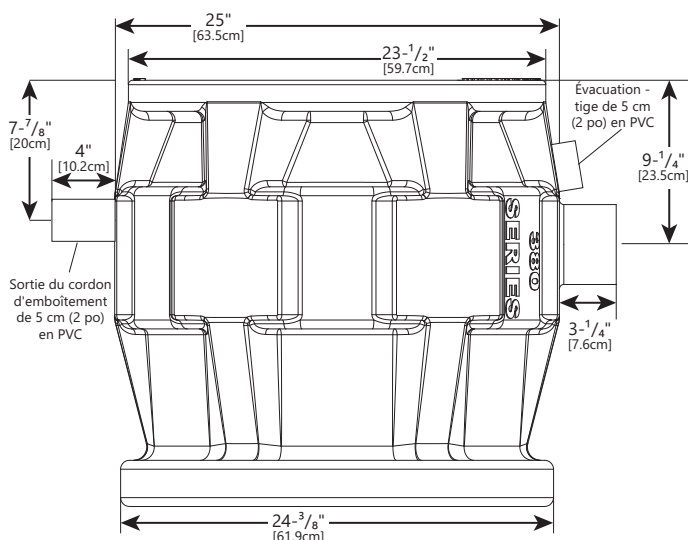


Figure 2. Dimensions du bassin de la série 380 à décharge latérale

## Descriptions de la couverture

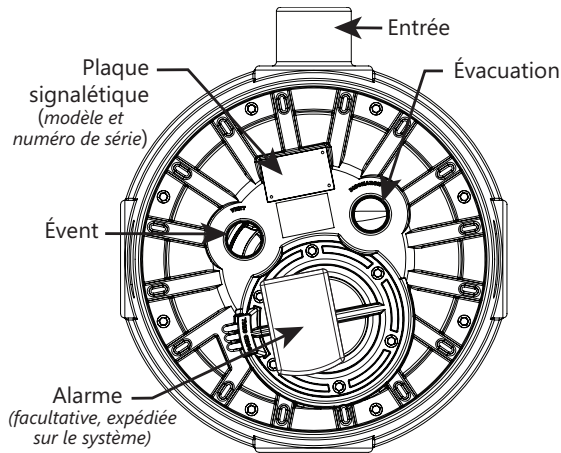


Figure 5. Couverture de la série 370

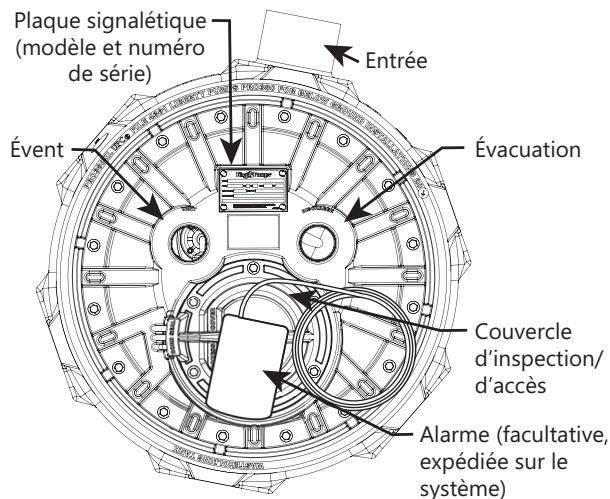


Figure 6. Couverture de série 380 à décharge verticale

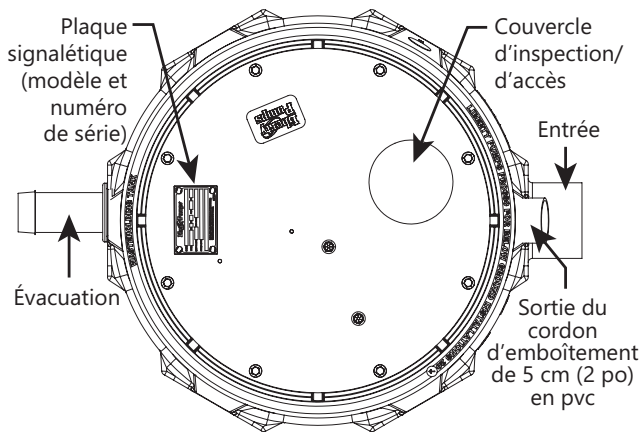


Figure 7. Couverture de série 380 à décharge latérale

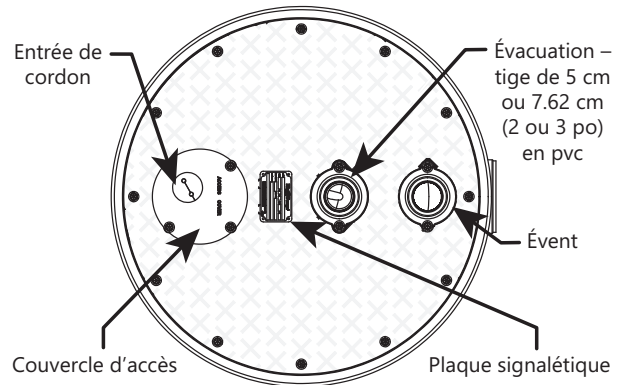


Figure 8. Couverture de la série 700

## Installation de bassins dans le sol

- ◆ La série 700 ne convient pas aux applications en extérieures.
- ◆ Les systèmes de la série Pro370 et à décharge supérieure de la série Pro380 et ProVore380 nécessitent un élévateur d'accès pour une utilisation en extérieur. Consultez Liberty Pumps pour plus d'informations sur les colonnes montantes de la série ARC.
- ◆ Sauf indication contraire, les couvertures ne sont pas classées en fonction du trafic.

Les bassins ProVore et Pro-Series peuvent être installés dans des applications intérieures et extérieures. Les bassins de la série 700 ne conviennent pas aux applications extérieures et ne peuvent être installés qu'à l'intérieur.

### Excavation

Creuser le trou le plus petit possible, avec un dégagement minimum recommandé de 20,32 cm (8 po) tout autour du réservoir. Ne jamais placer le bassin directement en contact avec des roches ou d'autres objets contondants. Placer uniquement du concassé fin lavé de 3 à 19 mm (1/8 à 3/4 po) ou 3 à 13 mm (1/8 à 1/2 po) comme matériau de remplissage entre le bassin et les parois du trou. Ne pas utiliser de sable ni de terre d'origine comme remblai. **Compacter convenablement le sol sous le bassin afin de fournir une base solide et plane capable de supporter le poids du bassin une fois rempli.** Il est recommandé de placer la bride supérieure du bassin au même niveau que le plancher fini.

### Raccord d'admission

Les bassins de la série Pro sont munis d'une ouverture d'admission de 4 po moulée dans le côté du réservoir. La dimension de cette entrée est faite pour convenir à un raccordement de 10,2 cm (4 po) couplage de type sans moyeu. Les bassins de la série 700 utilisent un moyeu avec un joint de 4 po pour connecter l'entrée.

Raccorder la canalisation d'écoulement provenant des accessoires à ce raccord.

## Remplissage initial

Utiliser uniquement du concassé fin lavé de 3 à 19 mm (de 1/8 à 3/4 po) ou de 3 à 13 mm (de 1/8 à 1/2 po) entre le fond du trou et le bassin pour le maintenir en place. Ne pas utiliser de sable ni de terre d'origine comme remblai. Raccorder l'arrivée des eaux usées au bassin selon les besoins.

## Remplissage final

Les grosses roches, les mottes et autres corps étrangers ne doivent pas être laissés dans le matériau de remplissage. Seul le concassé fin lavé de 3 à 19 mm (1/8 à 3/4 po) ou 3 à 13 mm (1/8 à 1/2 po) est recommandé comme matériau de remplissage. Ne pas utiliser de sable ni de terre d'origine comme remblai. Faire un petit monticule avec le matériau de remplissage, afin de le laisser se tasser naturellement. Prévoir un accès au couvercle du bassin pour les travaux d'entretien et de réparation.

### AVIS

- ◆ Ne pas exercer de pression excessive ni utiliser d'équipement lourd sur le matériau de remplissage, car cela pourrait causer l'affaissement du réservoir.

## Installation

### ⚠ AVERTISSEMENT ⚡ RISQUE DE CHOC ELECTRIQUE

- Toute installation et entretien des pompes, des commandes, des dispositifs de protection et du câblage général doivent être effectués par du personnel qualifié.
- Toutes les pratiques électriques et de sécurité doivent être conformes au Code national de l'électricité<sup>MD</sup>, aux normes établies par la *Occupational Safety and Health Administration* (l'Administration de la sécurité et de la santé au travail) ou aux codes et ordonnances locaux applicables.

### AVIS

- ◆ La série 700 ne convient pas aux applications en extérieures.
- ◆ Les systèmes de la série Pro370 et à décharge supérieure de la série Pro380 et ProVore380 nécessitent un élévateur d'accès pour une utilisation en extérieur. Consultez Liberty Pumps pour plus d'informations sur les colonnes montantes de la série ARC.
- ◆ Sauf indication contraire, les couvertures ne sont pas classées en fonction du trafic.
- ◆ N'augmentez pas la taille du tuyau de décharge du système 702 / PRG au-dessus de 2 po car des débits adéquats ne peuvent pas être atteints pour un fonctionnement correct. Contactez Liberty Pumps en vous posant des questions sur les dimensions et les débits appropriés.

## Raccordements électriques

Avec l'alimentation principale coupée, des raccordements complets du câblage de la pompe et des commandes effectués conformément aux schémas de câblage inclus avec le panneau de commande selon le cas. Tous les fils doivent être inspectés avec un ohmmètre pour vérifier s'il n'y a pas eu de mises à la terre non intentionnelles.

## Évacuation

- ◆ **Systèmes de broyeur ProVore y compris série ProVore 700** : les tailles de décharge peuvent être réduites à 1-1/4 po.
- ◆ **Les systèmes Pro-Series, ProVore-Series et les systèmes de la série 700 sans broyeur** : les tailles de décharge ne doit pas être inférieure à 5 cm (2 po).

Raccorder le tuyau d'évacuation à l'orifice fileté de 5 cm (2 po) ou 7,6 cm (3 po) fourni sur le couvercle à l'aide d'un adaptateur (ou au mamelon de 5 cm en PVC utilisé sur les modèles à évacuation latérale).

Pour certaines applications, il peut être nécessaire d'augmenter la dimension du tuyau afin de réduire les pertes dues à la friction. Communiquer avec Liberty Pumps pour toute question au sujet des dimensions de tuyaux et des débits adéquats.

Installer le tuyau d'évacuation qui reste. Dans les applications à évacuation verticale, il est conseillé d'installer un raccord union juste au-dessus du couvercle, pour faciliter le retrait de la pompe si nécessaire (les applications à évacuation latérale sont équipées d'un raccord union dans le bassin).

Dans les applications tant verticales qu'à évacuation latérale, on nécessite l'installation d'un clapet antiretour après le raccord union afin de prévenir le refoulement du liquide après chaque cycle de la pompe. Un robinet-vanne ou clapet à bille doit suivre le clapet antiretour afin de permettre le nettoyage périodique du clapet antiretour ou le retrait de la pompe. Le reste de la canalisation d'évacuation devrait être le plus court possible et comporter un nombre minimum de coudes, afin de réduire la perte de puissance due à la friction. Des tailles de tuyau plus grandes peuvent être nécessaires pour éliminer la perte de charge de friction sur de longues courses. Communiquer avec Liberty Pumps ou un autre spécialiste pour toute question au sujet des dimensions des tuyaux et débits adéquats.

La Figure 9 montre une installation typique. Des variations peuvent s'appliquer à l'installation réelle.

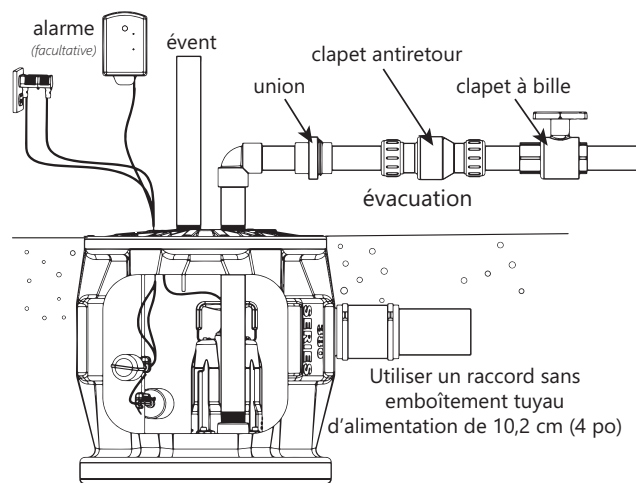


Figure 9. Installation intérieure typique (série Pro380 illustrée)



## Évent

Dans les systèmes à évacuation latérale et verticale, la dimension de l'évent doit respecter les codes en vigueur, mais jamais être inférieure à celle du tuyau d'évacuation.

Sur les modèles à décharge verticale, une connexion filetée de 2 po ou 3 po est prévue sur le dessus du couvercle. L'évent doit être raccordé à l'évent existant du bâtiment ou étendu à l'extérieur sur sa propre colonne montante.

Sur les modèles à refoulement latéral, la ventilation est réalisée par l'entrée. Voir la Figure 10, un exemple de ventilation à travers le tuyau d'entrée comme solution de rechange.

Les systèmes de la gamme Pro qui sont expédiés avec un tuyau d'acier facultatif sont munis d'un œillet d'étanchéité en caoutchouc plutôt que d'un raccord femelle NPT.

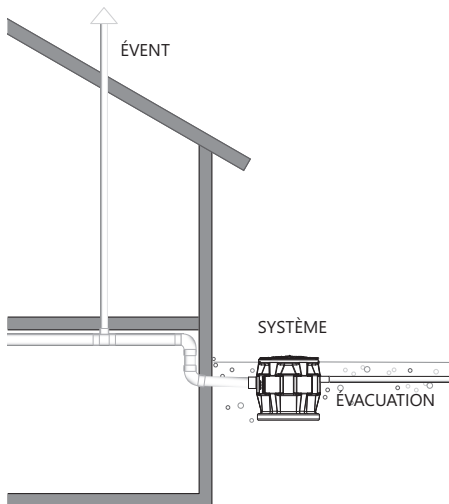


Figure 10. Exemple de ventilation alternative Pro380-SD

## Fonctionnement de l'interrupteur siamois

### **⚠️ WARNING** ⚡ RISQUE DE CHOC ELECTRIQUE

- Les pompes monophasées 208/230 V ne doivent fonctionner sans l'interrupteur à flotteur qu'en utilisant le disjoncteur ou le panneau de déconnexion.
- Certains produits peuvent avoir des condensateurs internes susceptibles de provoquer un choc. Évitez tout contact avec les extrémités des fiches après les avoir retirées de la source d'énergie.

**Tous les modèles Pro370 et de la série 380 à évacuation verticale** sont munis d'un flotteur en usine et l'interrupteur à flotteur est fixé sur le module QuickTree. Ces modèles sont munis de deux cordons : l'un relié à l'interrupteur à flotteur et l'autre au moteur de la pompe. Le cordon de l'interrupteur est muni d'un connecteur en série (siamois) permettant de brancher le cordon de la pompe (moteur) sur son dos (Figure 11). Ce système a pour but de permettre le fonctionnement manuel de la pompe.

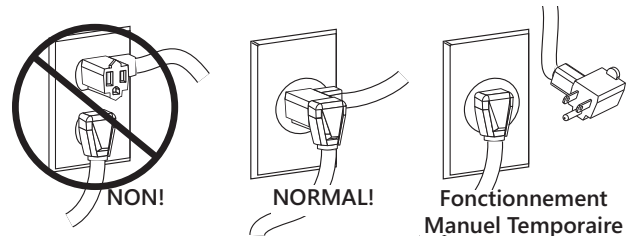


Figure 11. Fonctionnement de l'interrupteur siamois

**Pour un fonctionnement automatique**, les deux cordons doivent être interconnectés et branchés dans une prise d'une intensité en ampères suffisante pour le modèle de pompe choisi, avec fusibles indépendants et mis à la terre. Les deux cordons sont munis de fiches à trois broches et doivent être branchés dans une prise à trois broches avec mise à la terre adéquate. Ne pas retirer la broche de mise à la terre.

**Pour permettre le fonctionnement manuel**, ou en cas de défaillance de l'interrupteur, le cordon de la pompe peut être séparé et branché directement dans la prise électrique, en contournant l'interrupteur en utilisant le disjoncteur ou le sectionneur de panneau pour faire fonctionner la pompe.

## Câblage direct de la pompe automatique

### **⚠️ AVERTISSEMENT** ⚡ RISQUE DE BLESSURE GRAVE OU DE MORT

- Dans les installations 208V/230V, un côté du câble allant vers la pompe est toujours sous tension, peu importe la position de l'interrupteur du flotteur (en position de marche ou d'arrêt). Pour éviter les risques d'électrocution, installer un interrupteur à deux points près de l'installation de la pompe.

Au cas où une pompe monophasée serait branchée directement dans une boîte de connexion, et qu'il serait nécessaire de retirer la fiche, faire raccorder le câblage par un électricien autorisé en respectant les normes du Code national de l'électricité et de tous les codes locaux en vigueur. Un moyen de déconnexion de la pompe doit être placé à la vue de l'emplacement de la pompe / du bassin. Voir la Figure 12 pour l'installation directe de pompes monophasées automatiques.

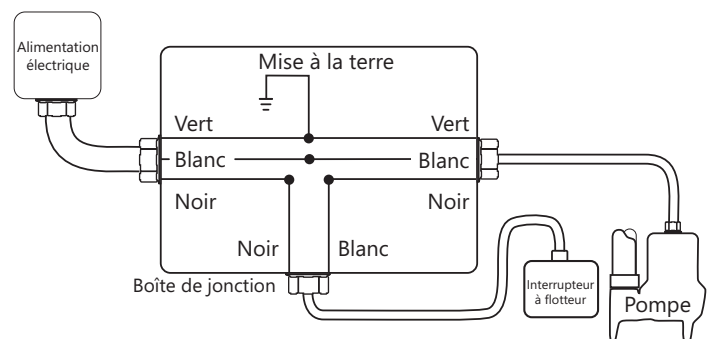


Figure 12. Câblage direct de 115V ou 208V/230V, 1PH, pompes automatiques

## Couvercle d'accès et commande interrupteur à flotteur

### Séries 370/380 à décharge verticale

Les systèmes Pro370 de Liberty Pumps et les systèmes à décharge verticale de la série 380 sont dotés de la technologie QuickTree. Les flotteurs pour actionner la pompe et l'alarme (le cas échéant) sont fixés sur le QuickTree, indépendant de la pompe.

Le système de flotteur QuickTree comprend une tige de fixation en acier inoxydable (arbre) et des pinces de support à cordon conçues pour fixer le flotteur de la pompe et le flotteur de l'alarme (facultative) du système. **Tous les flotteurs sont réglés en usine pour un fonctionnement optimal et ne doivent pas être ajustés.** Tout réglage des flotteurs effectué sur le terrain risque de causer le mauvais fonctionnement ou l'arrêt de la pompe et de l'alarme facultative.

**Retrait du QuickTree et inspection du flotteur :** Le système QuickTree est situé sous un couvercle d'accès séparé pour faciliter l'inspection, l'entretien et la réparation des flotteurs. Déboulonner tout simplement le couvercle d'accès et soulever le module QuickTree de son support pour inspecter les flotteurs. Il n'est pas nécessaire de défaire les raccords de plomberie ni de retirer la pompe. Les systèmes à évacuation verticale de la gamme Pro sont munis d'une pompe manuelle (sans interrupteur raccordé directement à la pompe). Le fonctionnement de la pompe est assuré par le système QuickTree.

**Remise en place du QuickTree :** après les travaux d'entretien ou d'inspection des flotteurs, remettre le QuickTree en place sur son support. Il est important d'assurer adéquatement l'étanchéité des cordons du moteur de la pompe, de l'interrupteur à flotteur et de l'alarme facultative dans les tuyaux d'étanchéité spécialement conçus situés sous le couvercle d'accès. Une bonne étanchéité est nécessaire pour que les émanations d'égout ne s'échappent pas du système. Placer les cordons solidement en place dans les tuyaux de caoutchouc, tel qu'illustré à la Figure 13 en prenant soin d'éviter que les cordons n'aient trop de jeu dans le système.

**IMPORTANT :** trois tuyaux à cordons sont fournis. Dans le cas des systèmes sans alarme facultative, seuls deux canaux seront utilisés et le troisième doit être bouché à l'aide d'un bouchon d'étanchéité de caoutchouc fourni. Voir la Figure 13 [droite]. S'il y a un cordon d'alarme, les trois canaux serviront. Tous les joints d'étanchéité en caoutchouc du couvercle sont fixés de manière permanente et n'ont pas besoin d'être remplacés.

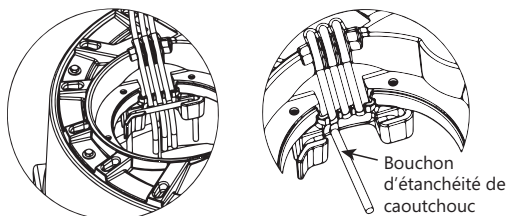


Figure 13. Bien assurer l'étanchéité des cordons, derrière la tige QuickTree

## Paramètres QuickTree

Tableau 1. Longueur de l'attache (position de l'interrupteur à la pince)

Position de la tige	Série Pro370		Série Pro380	
	Flotteur de l'alarme	Commande de flotteur	Flotteur de l'alarme	Commande de flotteur
1			8,9 cm (3,5 po)	
2	8,9 cm (3,5 po)			
3				7,6 cm (3,0 po)
4		8,9 cm (3,5 po)		

Pour effectuer l'entretien du QuickTree, placer le cordon de l'interrupteur dans le canal ou tuyau, puis faire glisser la tige d'acier inoxydable à travers la pince. Serrez la vis avec un tournevis cruciforme, en faisant attention de ne pas trop serrer. La tige a été aplatie pour désigner l'emplacement du flotteur. Il faut resserrer la vis pour qu'elle s'appuie sur la marque plate. La longueur de la sangle représente la longueur de cordon entre la pince et le flotteur.

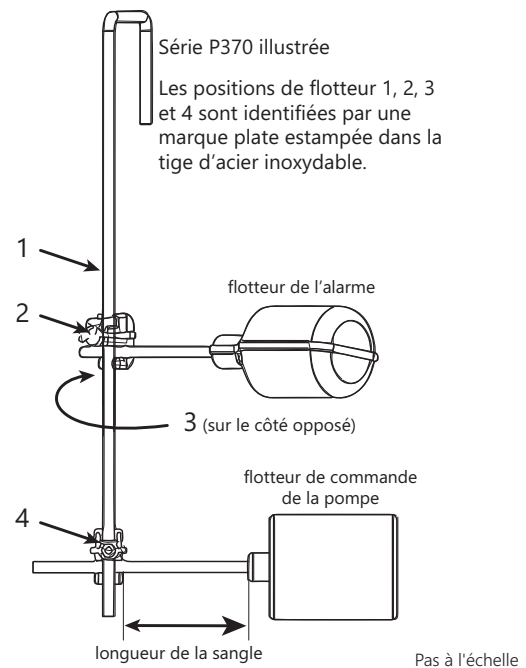


Figure 14. Exemple de paramètres de QuickTree

### Série 380 à décharge latérale

Le couvercle de la série 380 à décharge latérale contient l'accès au flotteur et aux joints d'entrée/de sortie du cordon d'alarme. Reportez-vous à la Figure 7. QuickTree n'est pas disponible sur les systèmes de la série 380 à décharge latérale. Les systèmes de la série 380 à décharge latérale sont équipés d'une pompe automatique. Le flotteur de commande de la pompe est attaché à la pompe pendant que le flotteur d'alarme (le cas échéant) se trouve sur le tuyau de décharge.

## Série 700

Le couvercle de la série 700 contient l'accès au flotteur et aux joints d'entrée/de sortie du cordon d'alarme. Reportez-vous à la Figure 8. QuickTree n'est pas disponible sur les systèmes de la série 700. Les systèmes de la série 700 sont équipés d'une pompe automatique. Le flotteur de commande de la pompe est attaché à la pompe pendant que le flotteur d'alarme (le cas échéant) se trouve sur le tuyau de décharge

## Instructions d'installation complémentaires

### Série de tests des bassins Pro370XL/Pro380XL-Series 10 pi

Les bassins d'évacuation de la série XL sont conçus pour supporter les tests de colonne de 10 pi exigés par certaines municipalités. La bride de couvercle doit être adéquatement installée pour assurer le respect des critères de test. Il est essentiel de respecter rigoureusement ces instructions. En aucun cas l'installation du couvercle ne doit différer de ces instructions.

### Types de systèmes

Plusieurs modèles de bassins de la série XL sont disponibles : système entièrement préassemblé avec pompe et conduite d'évacuation, système avec bassin et couvercle sans pompe ni tuyauterie, et bassin uniquement. Veuillez suivre les instructions ci-dessous selon le type de système que vous possédez.

### Installation du bassin

Indépendamment du système que vous possédez, vous devez en premier lieu vous référer aux instructions de base fournies avec le système d'évacuation complet ou le bassin pour tous les renseignements concernant l'excavation du puits, les raccords de tuyauterie et le remplissage.

Si le dessus du bassin est enfoui sous le niveau du sol, une colonne montante (modèle ARC18) est nécessaire. Le dessus du bassin doit se trouver à une profondeur maximale de 46 cm (18 po) sous le sol. Les systèmes de la série 370 et à décharge supérieure de la série 380 nécessitent un élévateur d'accès pour une utilisation en extérieur. Consultez Liberty Pumps au 1 800 543-2550 ou un distributeur local pour plus d'informations sur les colonnes montantes de la série ARC.

### Installation de la pompe dans le bassin de série XL ou de série XL avec système de couvercle

1. Les bassins de la série XL de Liberty Pumps achetés séparément devront être utilisés conjointement avec l'assemblage de couvercle de la série Pro (16 boulons) afin d'offrir un système d'évacuation parfaitement hermétique. Contactez le service à la clientèle de Liberty Pumps pour connaître la couverture adéquate pour l'application.

2. Assurez-vous que la conduite d'évacuation est de longueur suffisante pour être raccordée à la douille d'évacuation à étanchéité incorporée de la pompe, située sur la face intérieure du couvercle de la série Pro. Les pompes de relèvement Liberty Pumps utilisent des embouts filetés d'une longueur de 23,75 po pour les bassins de la série 370XL et de 17,50 po pour les bassins de la série 380XL. Raccordez le tuyau à la sortie fileté de la pompe.
3. Descendez la pompe dans le bassin en vous assurant d'insérer les pattes de la pompe dans les butées de torsion.
4. Glissez le cordon d'alimentation de la pompe (ainsi que le cordon de l'interrupteur siamois, le cas échéant) par la partie inférieure de l'orifice du couvercle d'inspection et placez le couvercle sur le mamelon tout en alignant les orifices des boulons. Le scellant (tel que le silicone) peut être appliqué des deux côtés de la surface du joint en caoutchouc pour assurer une bonne étanchéité. Utilisez 16 boulons et rondelles 20 UNC 1/4 po pour fixer le couvercle au bassin. Serrez les boulons à 40 pouces-livres. **Ne pas trop serrer les boulons.** Le joint souple intégré s'ajustera sur la paroi supérieure du réservoir. Vous pouvez resserrer les boulons à 60 pouces-livres pour colmater les fuites qui peuvent survenir lors d'un test de colonne de 10 pi.
5. Liberty Pumps recommande d'utiliser des pompes de type manuel avec une trousse Liberty QuickTree adaptée pour assembler la commande de la pompe et les flotteurs d'alarme. Contactez le service à la clientèle pour les informations concernant les commandes. Installez la trousse QuickTree selon les instructions fournies. Il est également possible d'utiliser les pompes Liberty Pumps de type automatique avec interrupteur à flotteur « siamois ». Placez le câble d'alimentation et le câble de l'interrupteur dans les rainures de l'orifice du couvercle d'inspection, tel qu'il est illustré dans les instructions de base fournies avec ce système. Fixez le couvercle d'inspection au couvercle principal en utilisant les boulons et les rondelles fournis. Le scellant (tel que le silicone) peut être appliqué des deux côtés de la surface du joint en caoutchouc pour assurer une bonne étanchéité. Serrez d'abord les boulons les plus éloignés des rainures du câble d'alimentation à 40 pouces-livres. **Ne pas trop serrer les boulons.** Le joint souple intégré s'ajustera sur la paroi supérieure du couvercle et des cordons d'alimentation. Vous pouvez resserrer les boulons à 60 pouces-livres pour colmater les fuites qui peuvent survenir lors d'un test de colonne de 10 pi.



Les lavabos de la série Pro370XL et Pro380XL classés par l'IAPMO, n° 4361

## Fonctionnement

---

Reportez-vous aux sections Démarrage et Utilisation fournies dans les manuels de la pompe, du panneau de commande et des alarmes fournis, le cas échéant.

## Entretien et dépannage

---

### **AVERTISSEMENT** **RISQUE DE CHOC ELECTRIQUE**

- Toujours débrancher la(les) pompe(s) de sa(leur) source d'alimentation avant de la(les) manipuler ou d'effectuer des réglages au niveau de la(des) pompe(s), du système de pompe ou du panneau de commande.

Reportez-vous aux sections Maintenance et Dépannage fournies dans les manuels de la pompe, du panneau de commande et des alarmes fournis, le cas échéant.

Pour d'autres questions, contactez le service clientèle au 800-543-2550 ou à l'adresse support@LibertyPumps.com.

## Garantie

---

### **Liberty Pumps Wholesale Products Garantie limitée**

---

Liberty Pumps, Inc. garantit que ses produits de gros sont exempts de tout défaut de matériau et de fabrication pour une période de trois (3) ans à partir de la date d'achat (à l'exception des batteries). La date d'achat est déterminée par un reçu de vente daté indiquant le modèle et le numéro de série de la pompe. Le reçu de vente daté doit accompagner la pompe retournée si la date de retour est supérieure de trois ans à la date de fabrication indiquée sur la plaque signalétique de la pompe.

L'obligation du fabricant en vertu de la présente garantie se limite à la réparation ou au remplacement de toute pièce jugée défectueuse par le fabricant, à condition que la pièce ou l'appareil soit retourné fret port payé au fabricant ou à son centre de service autorisé, et à condition qu'il n'y ait aucune preuve que les critères suivants annulant la garantie sont en cause:

Le fabricant ne sera pas responsable en vertu de la présente garantie si le produit n'a pas été installé, utilisé ou entretenu conformément aux instructions du fabricant; s'il a été démonté, modifié, dégradé ou altéré; si le cordon électrique a été coupé, endommagé ou épissé; si la sortie de la pompe a été réduite; si la pompe a été utilisée à des températures d'eau supérieures à celles d'un service normal, ou dans de l'eau contenant du sable, de la chaux, du ciment, du gravier ou autres abrasifs; si le produit a été utilisé pour pomper des produits chimiques, de la graisse ou des hydrocarbures; si un moteur non submersible a été soumis à une humidité excessive; ou si l'étiquette portant le modèle et le numéro de série a été retirée.

Liberty Pumps, Inc. ne sera pas responsable des pertes, dommages ou dépenses découlant de l'installation ou de l'utilisation de ses produits, ni des dommages indirects, accessoires et consécutifs, y compris les coûts de retrait, de réinstallation ou de transport.

**Il n'y a aucune autre garantie expresse. Toute garantie implicite, y compris celles de qualité marchande et d'aptitude à une fin particulière, sont limitées à une durée de trois ans à partir de la date d'achat. La présente garantie comprend le recours exclusif de l'acheteur et exclut, lorsque permis par la loi, toute responsabilité pour dommages consécutifs ou accessoires en vertu de toutes autres garanties.**

**Liberty Pumps®**

7000 Apple Tree Avenue  
Bergen, NY 14416  
téléphone: 800-543-2550  
télécopieur: 585-494-1839  
www.LibertyPumps.com