

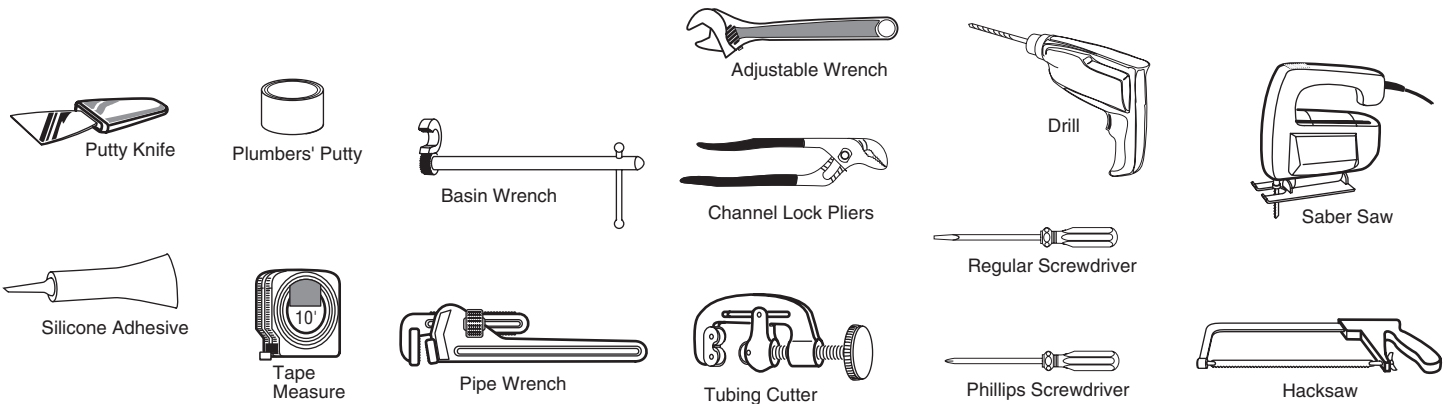
## UNDERCOUNTER SINKS

### Rectangular/Square Models: 0426, 0610, 0614, 0615, & 0618

**Introduction:** Thank you for selecting our products...products which have been the benchmarks of fine quality for years. To help ensure that the installation process will proceed smoothly, please read these instructions carefully before you begin. Also, review the recommended tools and materials list; carefully unpack and examine your new plumbing fixture.

#### Observe Local Plumbing and Building Codes.

#### Recommended Tools & Materials



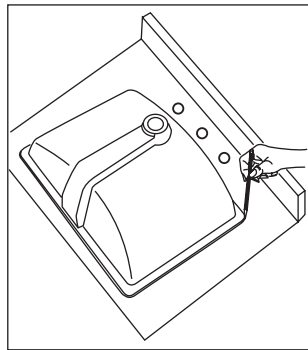
**NOTE:** More specialized tools may be necessary to install this sink to countertop materials other than wood or wood composites.

1

**NOTE:** To avoid damage to countertop, install sink such that future removal from underneath the countertop is possible.

First, make sure the clearance between the backsplash, faucet, fixtures and cabinets are acceptable for the new sink.

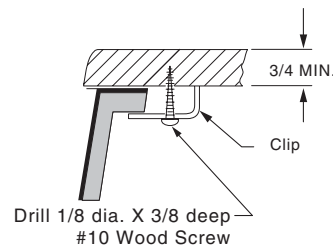
For Model 0426 to be ADA compliant the sink must be installed with the overflow in the rear.



3

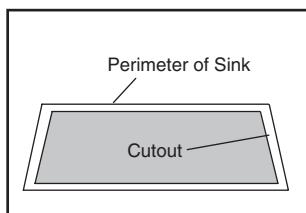
#### FOR WOOD COUNTERTOP

Mark and pre-drill the wood screw holes as located on the enclosed template. Waterproof any exposed areas of wood.



2

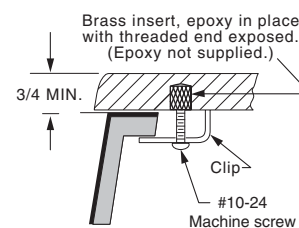
Carefully cut out the enclosed template, then position and trace the template on the countertop as shown on the template. Make a mark of the faucet hole centerline on the countertop. Drill a 1/2" pilot hole on the inside of the cut line. Use a saber saw or a keyhole saw to cut out the countertop opening.



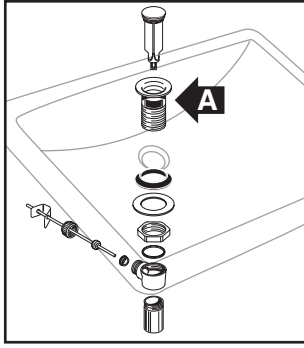
4

#### FOR MARBLE OR SOLID SURFACE COUNTERTOP

To protect countertop, place it on a foam padding and drill 3/8 Dia. X 1/2 deep hole as per location shown on template.

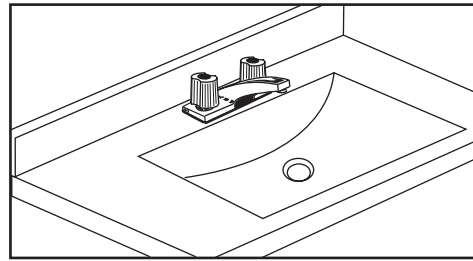


5



Mount the drain assembly (not included) on the sink, following faucet manufacturer's instructions. Be certain to apply a bead of sealing putty on the underside of the drain (Part "A") in order to ensure a watertight seal between the sink and drain. Remove excess putty after installing drain on sink.

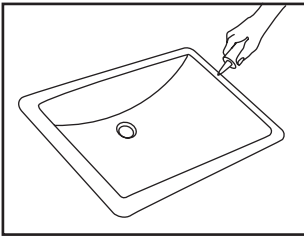
8



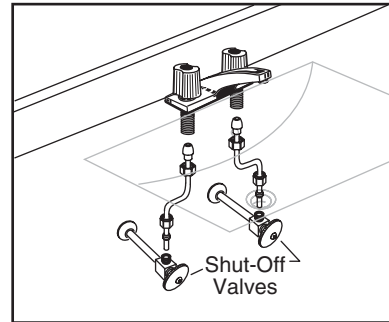
Install faucet (not included) and countertop (not included) following manufacturers instructions.

6

**NOTE:** Do not use adhesives or adhesive sealants. After checking fit and alignment of sink to cut out, apply a bead of silicone adhesive to rim of sink.



9

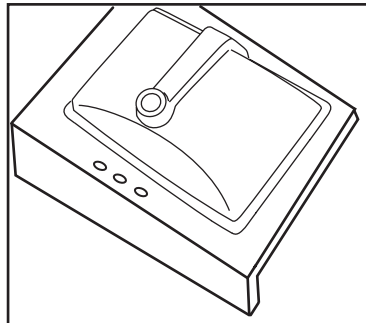


Connect supply line to faucet (finger tight) and carefully bend tubes to engage with the supply shut-off valves. Tighten connections at faucet and shut-off valves for water tight seal.

7

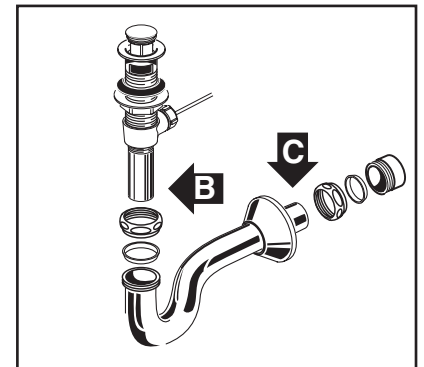
Center bowl over cutout and tighten screws (see 3 or 4) to secure bowl to countertop. Remove excess sealant from inside lip.

**NOTE:** The screws provided should be used on countertops with a minimum 1" thickness. For thinner countertops, use appropriate anchors and fasteners.



10

Connect trap to drain assembly hand tight to check alignment. It may be necessary to cut off part of the tailpiece (area "B") or part of the horizontal leg of the trap (area "C"). Secure joints for watertight assembly.



**In the United States:**

American Standard Brands  
P.O. Box 6820  
Piscataway, New Jersey 08855  
Attention: Director of Consumer Affairs

For residents of the United States, warranty information may also be obtained by calling the following toll free number: (800) 442-1902  
[www.americanstandard-us.com](http://www.americanstandard-us.com)

**In Canada:**

AS Canada ULC  
2480 Stanfield Rd.  
Mississauga, Ontario  
Canada L4Y 1S2

Toll Free: (800) 387-0369  
[www.americanstandard.ca](http://www.americanstandard.ca)

**In Mexico:**

Customer Service Manager  
AS Maquila, S.A. de C.V.  
Via Morelos #330  
Col. Santa Clara  
Ecatepec 55540 Edo. Mexico  
[www.americanstandard.com.mx](http://www.americanstandard.com.mx)