

American Standard

Installation Instructions

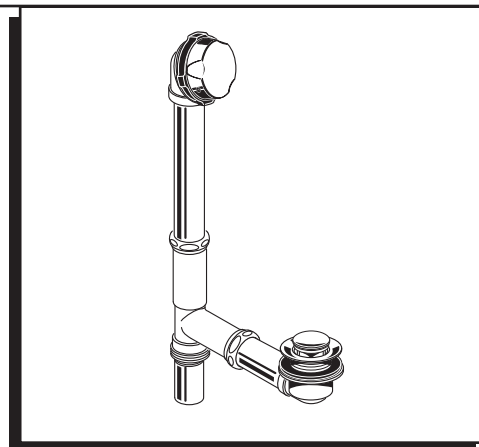
UNIVERSAL ROTARY DRAIN

- 1583.SERIES
- BATH-DRAIN SERIES

Rotary Bath Waste And Overflow with Pop-up Drain

Thank you for selecting American-Standard...the benchmark of fine quality for over 100 years.

To ensure that your installation proceeds smoothly--please read these instructions carefully before you begin.



U.S. Patent No. 4,294,289, Patents Pending

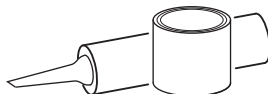
TOOLS REQUIRED



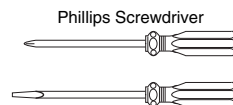
Channel Locks



Adjustable Wrench



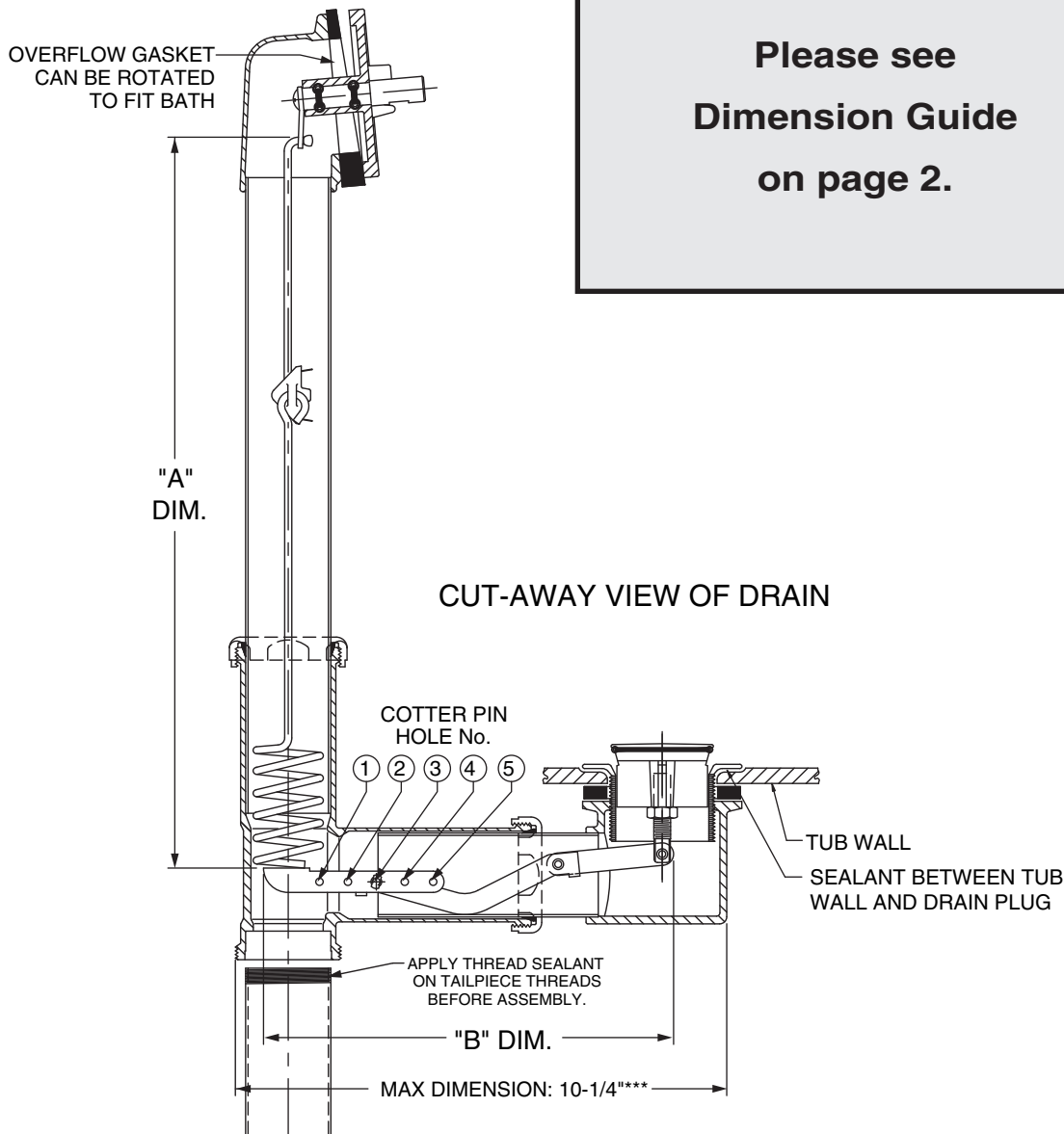
Plumbers' Putty or Caulking



Phillips Screwdriver

Regular Screwdriver

ROUGH-IN DIMENSIONS



UNIVERSAL DRAIN P/N	BATH / WHIRLPOOL MODEL	"A" DIM.	"B" DIM.	HOLE No.
1583.470	6060 & 6060L / V Cadenza Corner	18-3/8"	8-1/8"	5
1583.470	7242 Rondo	18-3/8"	7-5/8"	4
1583.470	7236 Virtuoso	17-3/4"	7-5/8"	4
1583.470	2703/05 Ellisee Built-In	17-1/2"	7-1/8"	3
1583.470	2806 Heritage 6'	17-5/8"	7-1/8"	3
1583.470	2711 & 2711L/LA Ellisse 6' x 48"	17-1/4"	8-1/8"	5
1583.470	2901 & 2901L Savona	18-1/8"	7-1/8"	3
1583.470	2902 Savona Corner	17-3/4"	8-1/8"	5
1583.470	2908 & 2908L/LA Reminiscence	17-1/2"	7-1/8"	3
1583.470 **	2805 & 2805L Heritage 5' x 42"	16-3/8"	6-1/8"	1
1583.470 Δ	2776 Cadet 5' x 32" Integral Apron	15-1/2"	6-1/8"	1
1583.470	2903 Savona Oval 5'	15-1/8"	7-1/8"	3
1583.470 •	2709 Ellisse Oval	15-1/8"	7-1/8"	3
1583.470 •	2715 Lexington	16-1/4"	7-1/8"	3
1583.470 •	2664 Scala Corner	16-1/4"	6-5/8"	2
1583.470 •	2663 Scala Oval 6'	16"	7-1/8"	3
1583.470 •	2645 & 2645L Scala Oval 5-1/2'	15-1/4"	7-1/8"	3
1583.470 •	2660 & 2734 Plebe	16-1/4"	7-1/8"	3
1583.470 •	2661 Scala Oval 5'	15-3/4"	7-1/8"	3
1583.470 •	2662 Scala 6'	16-1/4"	7-1/8"	3
1583.470 •	2460/61 Cambridge	15-1/2"	7-1/8"	3
1583.470 •	2470 Stratford	16-1/4"	8-1/8"	5
1583.470 •	2675 Colony / 2732 Renaissance	16-7/8"	7-1/8"	3
1583.470 •	2770 Cadet 5' x 32"	16-5/8"	7-1/8"	3
1583.470 •	2771 Cadet 5' x 36"	15-1/2"	7-1/8"	3
1583.470 •	2772 Cadet 5' x 42"	15-1/8"	7-1/8"	3
1583.470 •	2773 & 2773L Cadet 6' x 36"	16-1/8"	7-1/8"	3
1583.470 •	2774 & 2774L/LA Cadet 6' x 42"	15-3/4"	7-1/8"	3
1583.470 •	2775 & 2775L Cadet Corner	15-3/4"	7-1/8"	3
1583.470 ••	2740 Colony 5' x 30" Integral Apron	14-1/8"	6-1/8"	1

DRAIN-MODEL	BATH / WHIRLPOOL MODEL	"A" DIM.	"B" DIM.	HOLE No.	
BATH - DRAIN	••• 6060E Cadenza Elite Corner	18-3/8"	8-1/8"	5	
	••• 6060L/V Cadenza Lifetime/Evolution Corner				
		7242E Rondo Elite Oval	18-3/8"	7-5/8"	4
		7236E Virtuoso Elite	17-3/4"	7-5/8"	4
		2806E Williamsburg Elite 6' Oval	17-5/8"	7-1/8"	3
		2711E & 2711L Elite/Lifetime Ellisse 6'	17-1/4"	7-1/8"	5
		2901E & 2901L Elite/Lifetime Savona 6'	18-1/8"	7-1/8"	3
		2902E Savona Elite Corner	17-3/4"	8-1/8"	5
		2732 Renaissance	16-7/8"	7-1/8"	3
		2425E Williamsburg Elite 5' Drop-in	17-3/4"	7-1/8"	3
		• 2771E Cadet Elite 5' x 36"	15-1/2"	7-1/8"	3
		• 2772E Cadet 5' x 42"	15-1/8"	7-1/8"	3
		• 2773E & 2773L Cadet 6' x 36"	16-1/8"	7-1/8"	3
		• 2774E & 2774L/LA Cadet 6' x 42"	15-3/4"	7-1/8"	3
		2425E-RHO Williamsburg Elite Integral Apron	17-3/4"	6-5/8"	2
		2425E-LHO Williamsburg Elite Integral Apron	17-3/4"	6-5/8"	2
		2908E & 2908L Elite/Lifetime Reminiscence	17-1/2"	6-5/8"	2
		•• 2805E & 2805L Elite/Lifetime Williamsburg 5' x 42"	16-3/8"	6-1/8"	1
		• 2775E & 2775L Elite/Lifetime Cadet Corner	15-1/2"	7-3/4"	4
		• 2645L/LA/V/VA Lifetime/Evolution Oval	15-1/4"	7-1/8"	3

• OVERFLOW TUBE MUST BE CUT FROM 14" TO 11-1/2"

Δ OVERFLOW TUBE MUST BE CUT FROM 14" TO 13"

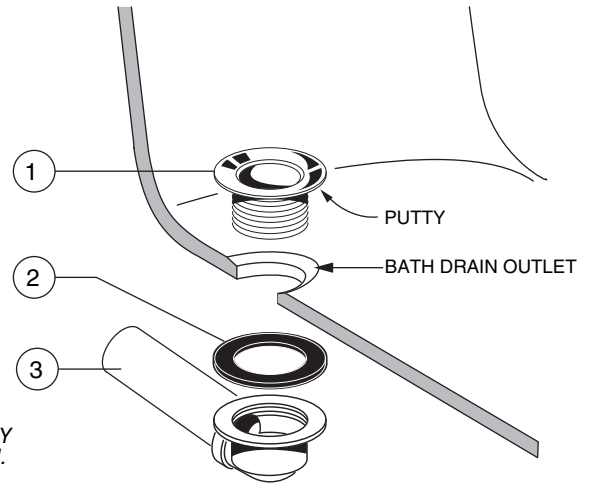
•• DRAINS USE SHORT WASTE TEE PROVIDED

FOR DISTANCES GREATER THAN MAX. DIMENSION, REQUEST:

••• ROCKER ARM EXTENSION KIT, PART # 752418-0070A

1 INSTALL DRAIN PLUG AND ELL

- Apply putty to underside of DRAIN PLUG (1) and drop into drain opening.
- Slip RUBBER WASHER (2) on from below and thread DRAIN PLUG (1) into DRAIN ELL ASSEMBLY (3).



NOTE: TUB IS SHOWN CUT AWAY FOR CLARITY OF INSTALLATION.

2 INSTALL OVERFLOW ASSEMBLY AND DRAIN TEE

- Loosen SLIP JOINT NUT & SEAL (1) and install onto OVERFLOW TUBE (2). Install OVERFLOW TUBE ASSEMBLY (2) into the appropriate leg of the DRAIN TEE (3). Apply sealant to threads of TAILPIECE (6) and thread into DRAIN TEE (3). Install OVERFLOW GASKET (7) to OVERFLOW TUBE ASSEMBLY (2). (Adjust OVERFLOW GASKET (7) to contour of tub. FIG.1.
- Loosen SLIP JOINT NUT & SEAL (4) and install onto DRAIN ELL ASSEMBLY (5). Install DRAIN ELL ASSEMBLY (5) into the horizontal leg of the DRAIN TEE (3). FIG 2.

NOTE: Use the guide on Page 2 of this instruction to adjust the rocker assembly to the proper length according to model tub and drain. (See Dimension B)

- Install DRAIN STOPPER (8) onto ROCKER STUD (9) and tighten NUT (10) to secure the DRAIN STOPPER (8). Install ROCKER ASSEMBLY (11) into DRAIN ELL ASSEMBLY (5). FIG. 3.

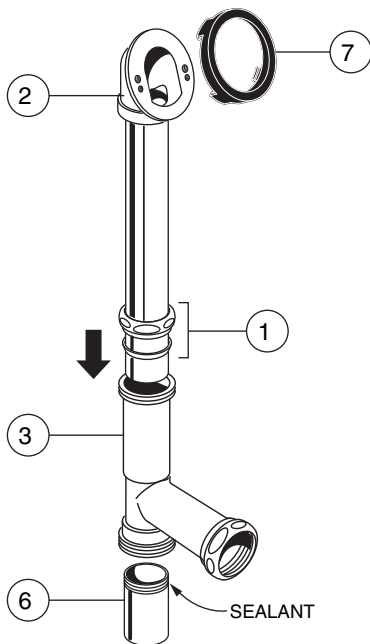


FIG. 1

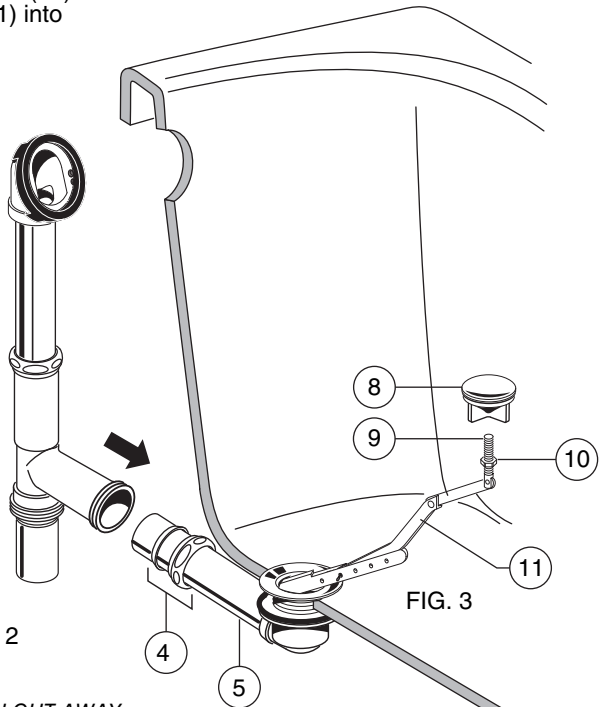


FIG. 2

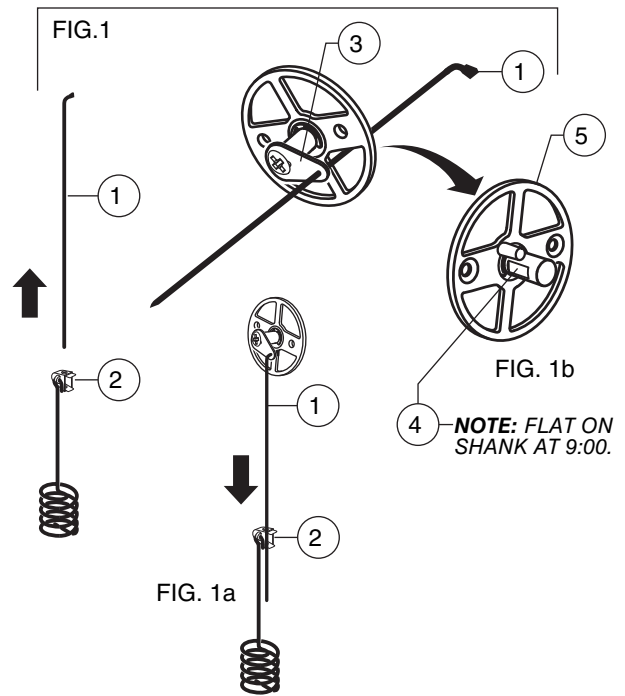
FIG. 3

NOTE: TUB IS SHOWN CUT AWAY FOR CLARITY OF INSTALLATION.

3 PREPARE UPPER LINKAGE ASSEMBLY

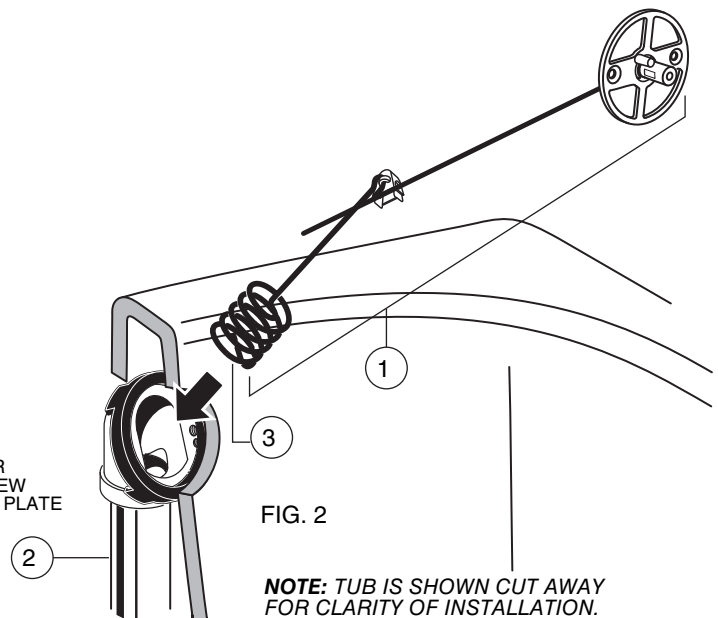
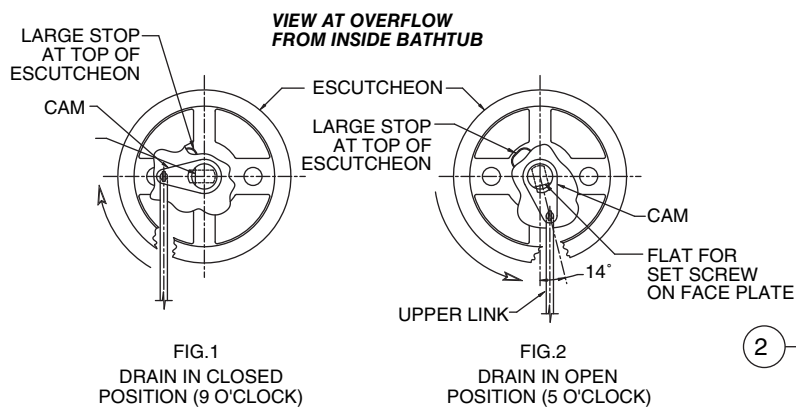
- Remove the UPPER LINK (1) from the SPRING CLIP (2) and slide the pointed end through the small hole in the CAM (3). Fig. 1.
- Re-insert the upper link into the spring clip. Fig 1a. Rotate the SHANK (4) on the ESCUTCHEON (5) so that the flat area on the SHANK (4) is at the 9 o'clock position. Fig. 1b. The drain will be in the closed position.

NOTE; Adjust the linkage length by using the guide on Page 1. (See Dimension A). This information is provided as an approximate dimension, as your tub may vary slightly.



4 INSTALL UPPER LINKAGE ASSEMBLY

- Slide the LINKAGE/ESCUTCHEON ASSEMBLY (1) into the OVERFLOW (2). The bottom of the STRIKER (3) will rest on the rocker assembly.



5 SECURE ESCUTCHEON AND FACE PLATE

- Align the holes in the ESCUTCHEON (1) with those in the overflow tube. Tighten SCREWS (2) snugly (do not over tighten). The overflow gasket (behind tub wall) will begin to seal as the ESCUTCHEON (1) becomes tighter. The overflow gasket can be rotated for desired fit.
- Align the SET SCREW (3) in the FACE PLATE (4) to the flat spot on the SHANK (5) and tighten. Adjust the stopper on the rocker assembly so that the stopper rises approximately 3/8" in the open position.
- When you are satisfied with the overall fit of the drain, go back and tighten all joints to make a water tight seal.

