

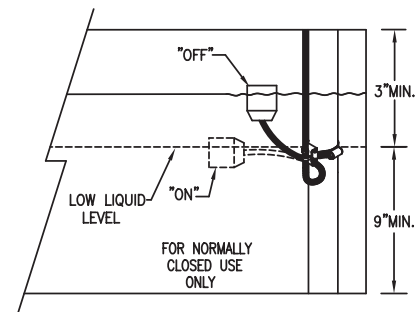
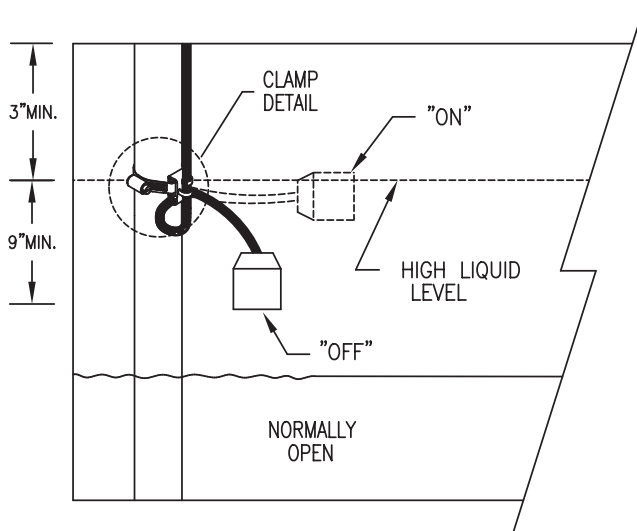
Product information presented here reflects conditions at time of publication. Consult factory regarding discrepancies or inconsistencies.

MAIL TO: P.O. BOX 16347 • Louisville, KY 40256-0347
 SHIP TO: 3649 Cane Run Road • Louisville, KY 40211-1961
 TEL: (502) 778-2731 • 1 (800) 928-PUMP • FAX: (502) 774-3624

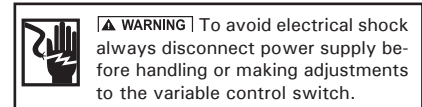
Visit our website:
 zoellerpumps.com

INSTALLATION INSTRUCTIONS FOR VARIABLE LEVEL CONTROL SWITCHES

NOTE: Switch not for use for direct "on/off" pump operation. Must be used with control panel.



SK1445



INSTALLATION INSTRUCTIONS

⚠ WARNING

All installation of controls, protection devices and wiring should be done by a qualified licensed electrician. All electrical and safety codes should be followed in addition to the most recent National Electric Code and the Occupational Safety and Health Act (OSHA).

1. Determine your "on" level. (See illustration above) For pump down (NORMALLY OPEN) application: The variable level control switch closes (turns on) when the float tips a few degrees above the horizontal position and opens (turns off) when the float drops a few degrees below the horizontal position. This mode is regularly used on pump applications.

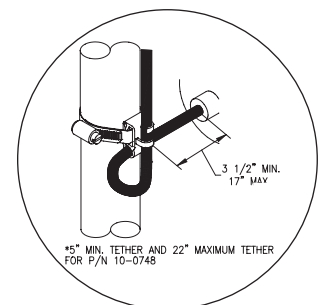
For normally closed applications only: The variable level control switch closes (turns on) when the float tips a few degrees below the horizontal position and opens (turns off) when the float tips a few degrees above the horizontal position. This mode is used to maintain a specific fluid level in container when pumping from another source. (i.e. stock watering tank)

2. If cable weights are not being used, strap variable level control switch to discharge pipe or similar mounting at determined on-off level. (See sketch #1) NOTE: Do not install cord under hose clamp. NOTE: Be sure float is positioned so that it will not be restricted in its movement by any item in the pit. The strap clamp should be a minimum of 3" from any top restriction (pit cover) or 9" from any bottom restriction (floor, pump, etc.).

3. If cable weights are used, adjust tether as shown in sketch. (See sketch #2)

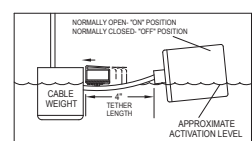
NOTICE: Do not adjust "OFF" level below discharge on pump.
 Use Control Switch in panel controlled pump applications only.

CLAMP DETAIL (Tether Length non-adjustable)



SK305C

SKETCH #1



SK1301A

SKETCH #2

CABLE WEIGHT (See Sketch #2)

1. Lay cable in weight channel.
2. Align clip with weight groove and slide towards cable.
3. Snap clip snugly up to cable, manually moving clip to the tightest possible position.
4. Wire cable leads directly into control device.
5. Suspend unit at desired activation level.

P/N 1008711C