



# HZ432 TrueZONE®



## Zone Panel Professional Installation Guide



## TABLE OF CONTENTS

Specifications .....	ii
Application.....	1
Accessories .....	1
Mounting.....	2
Wiring .....	3
Heat Pump.....	6
Dual Fuel.....	8
Basic Configuration.....	10
Advanced Configuration .....	12
Operation.....	13
Checkout.....	13
Warranty.....	14

## SPECIFICATIONS

### Input Ratings:

Voltage: 18-30 VAC 50/60 Hz transformer of 40 VA or more.

### Current Draw:

Zone Panel: 8.5 VA max.  
THM4000 Wireless Adapter: 2 VA max.  
All VA specifications at 24 VAC.

### Wiring:

18- or 20-gauge solid (not stranded) wire.

### Humidity Ratings:

5% to 90% RH non-condensing.

### Temperature Ratings:

Shipping: -20° to 150°F (-29° to 66°C)  
Operating: -40° to 165°F (-40° to 74°C)

### Dimensions:

See Fig. 1.

### Emissions:

Complies with FCC Class B, part 15 requirements.

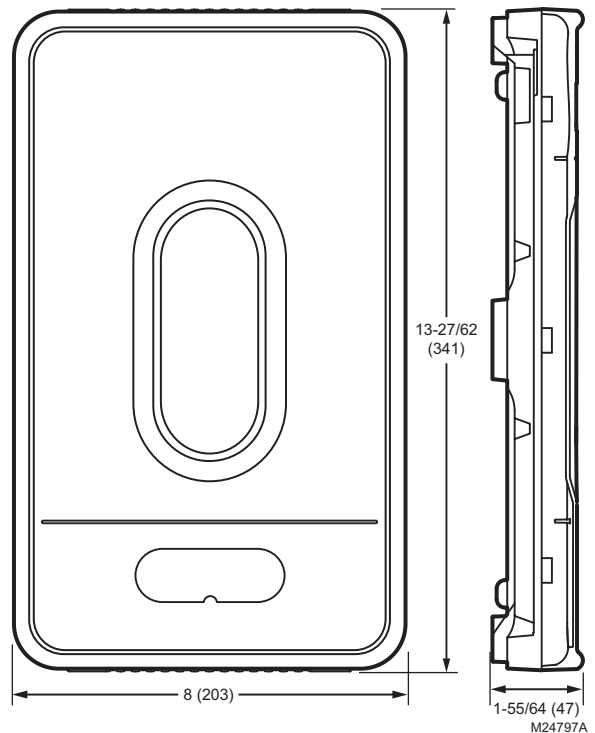


Fig. 1. HZ432 TrueZONE panel dimensions in in. (mm).

## Need Help?

For assistance with this product please visit [customer.resideo.com](https://customer.resideo.com)  
or call Zoning Hotline toll-free at **1-800-828-8367**

## Read and save these instructions.

## APPLICATION

The HZ432 TrueZONE® panel controls:

- Single-stage, multi-stage, conventional, or heat pump heat/cool HVAC equipment up to 3 stages of heat and 2 stages of cool;
- Dual-fuel systems with up to 2 heat pump stages and 2 fossil fuel stages;
- 2, 3, or 4 zones and is expandable to 32 zones using wired thermostats with the TotalZone® Add-A-Zone™ panel;
- 2, 3, or 4 zones with wireless thermostats when used with the wireless adaptor.

Please refer to TrueZONE Panel Frequently Asked Questions form 50-9694 for operating details, or see customer.resideo.com

## ACCESSORIES

**Table 1. Recommended Thermostats.**

System	Thermostat
Single stage	TH1110D2009 (non-programmable) TH4110U2005 (Programmable)
Multistage conventional	TH6220U2000 (Programmable) TH6220WF2006 (Programmable, Wi-Fi)
Heat pump	TH4210U2002 (2H/1C, Programmable) TH6210U2001 (2H/1C, Programmable) TH6220U2000 (2H/1C, Programmable) TH6220WF2006 (2H/1C, Programmable, Wi-Fi) TH6320WF2003 (3H/2C, Programmable, Wi-Fi)
All the above	TH6320WF2003 (Programmable, Wi-Fi) TH8321WF1001 (Programmable, Wi-Fi) THX321WFS2001W (Programmable, Wi-Fi)
Wireless *	TH5320R1002 TH6320R1004 TH8320R1003

\* For RedLINK™ wireless devices, a THM4000 is required. For more than 4 zones, see page 11.

**Table 2. Recommended Dampers.**

Type	Actuation	Round	Rectangular
Residential			
Zone	Spring-open/ power-closed	ARD (6 VA)	ZD (6 VA)
Zone	Power-open/ power-closed	RRD (2 VA)	—
Bypass	Barometric	Constant pressure regulating damper (CPRD)	—
Commercial			
Zone	Power-open/ power-closed	Modulating Automatic Round Damper (MARD) (2 VA)	—
Bypass	Power-open/ power-closed	Modulating Automatic Round Damper (MARD) (2 VA) with SPC	—

\* Or equivalent damper and actuator.

**Table 3. Maximum Dampers.\***

Ambient Temp.	Maximum Damper VA per Zone
100°F (38°C)	28.8
160°F (71°C)	16.8

\* Use an SDCR (Slave Damper Control Relay) for additional dampers to surpass the maximum damper VA per zone. Maximum dampers per panel is limited by transformer size. Ensure transformer is large enough to power the panel, thermostats, wireless adapter module, and dampers.

**Table 4. Accessories.**

Accessory	Description
40 VA transformer*	AT140A1042
75 VA transformer	AT175A1008
Discharge Air Temperature Sensor (DATS)*	C7735A1000
TAZ-4	TotalZone® Add-A-Zone™ Control Panel
SDCR**	Slave Damper Control Relay
Portable Comfort Control***	REM5000R1001
Wireless Adapter***	THM4000R1000
Wired Outdoor Air Temperature Sensor <sup>†</sup>	C7089U1006 (hard wired)
Wireless Outdoor Air Temperature Sensor*** <sup>†</sup>	C7089R1013 (wireless)
RedLINK Internet Gateway***	THM6000R7001**

\* Included in HZ432K kit.

\*\* Use an SDCR (Slave Damper Control Relay) to add additional dampers to a zone to surpass the maximum Damper VA rating per Zone.

\*\*\*For RedLINK™ wireless devices, a THM4000 is required.

<sup>†</sup> A wired or wireless outdoor sensor is required for Dual Fuel applications.

## MOUNTING

1

Mount the HZ432 TrueZONE panel near the HVAC equipment; locate it on a wall, stud, roof truss, or cold-air return.

**NOTE:** The HZ432 TrueZONE panel can be mounted in any orientation; level it for appearance only.

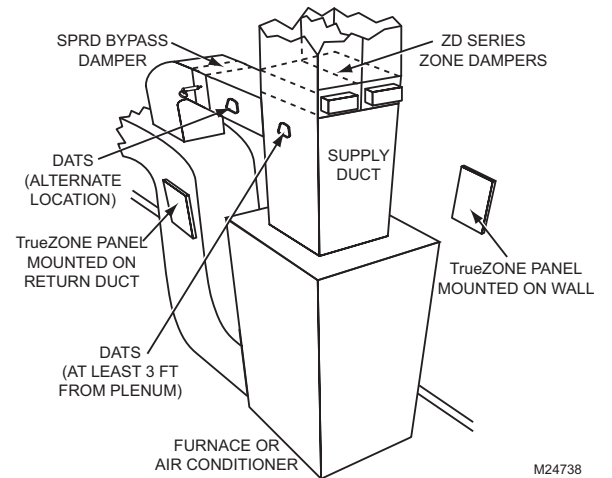


Fig. 2

2

Separate the zone panel cover from the base, and use the base as a template to drill mounting holes. Attach the base to the wall, stud, roof truss, or duct with appropriate screws (not included).

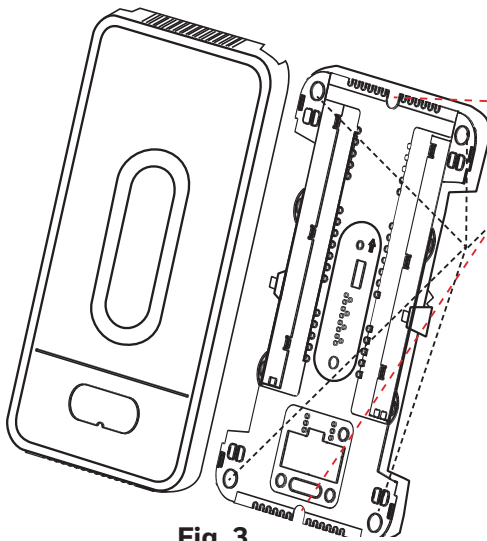


Fig. 3

## WIRING



**CAUTION: Voltage Hazard.**

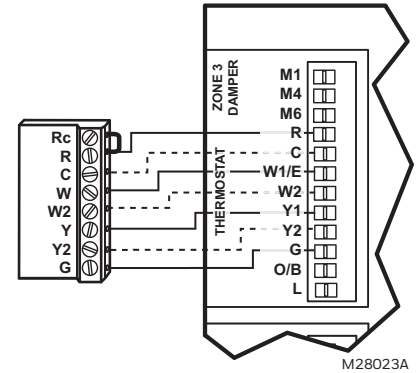
Can cause electrical shock or equipment damage. Disconnect power before beginning installation. Wire entire panel before applying transformer power.

Follow these steps for wiring all systems. However, wiring will vary depending on equipment. For conventional systems, see page 5. For heat pump systems, see pages 6 and 7. For dual fuel systems, see pages 8 and 9.

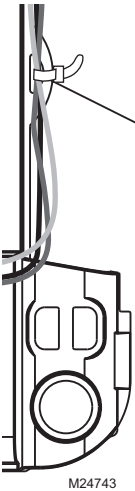
Wiring must comply with applicable codes, ordinances, and regulations. Use the following wiring diagrams to wire the zone panel to the thermostats and dampers.

3

Install thermostats using instructions provided with thermostats. If using wired thermostats, connect thermostat to zone panel. To connect wire to the panel, strip approximately 1/4 in. of insulation and push wire into terminal. To release wire, press the button on top of the terminal.



**Fig. 4**



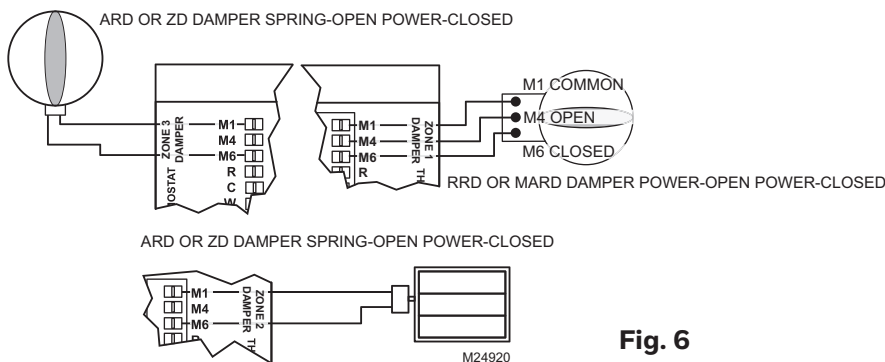
The HZ432 offers many innovations for wire management and organization: wires can be run behind the panel, through wire channels on its sides, and must be attached to a wiring anchor with a cable tie.

**Fig. 5**

4

Install dampers using instructions provided with dampers. Connect dampers to zone panel.

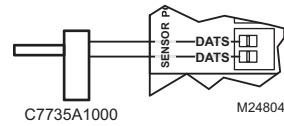
**NOTE:** Multiple dampers can be wired in parallel.



**Fig. 6**

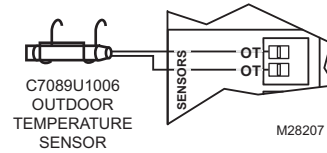
## WIRING

**5** Connect DATS as shown. See high and low limit settings in Table 5 "Advanced Configuration" on page 12.



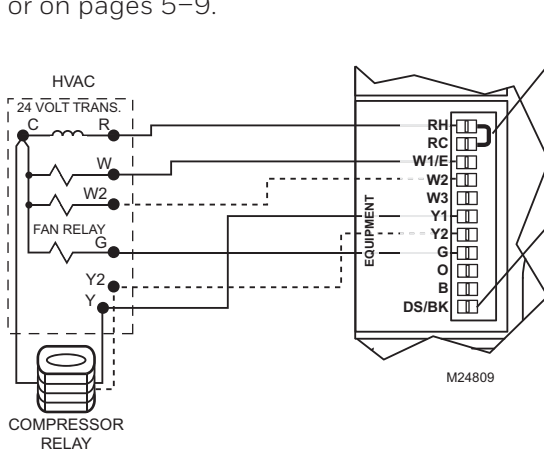
**Fig. 7**

**6** Connect outdoor air temperature sensor as shown. Required for dual fuel systems; optional for other multistage systems. If using the C7089R1013 wireless outdoor sensor and THM4000R wireless adapter on 2- to 4-zone systems, see page 11.



**Fig. 8**

**7** Connect equipment as shown here or on pages 5–9.



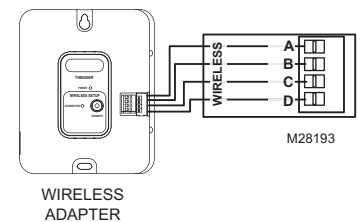
**Fig. 9**

For oil heat with a separate transformer for cooling, remove this jumper.

For other systems, leave jumper in place and wire to HVAC R terminal with 18 gauge solid copper wire.

The DS/BK terminal is used with a variable-speed fan. If the HVAC equipment has DS, BK, ODD, or DHUM terminals, wire that terminal to the DS/BK terminal. When greater than 25% of zones are calling for cooling, this terminal will be energized and the fan will operate at normal speed. When 1 zone or fewer than 25% of zones are calling for cooling, the terminal will be de-energized and the fan will run at a reduced rate, which will reduce the amount of air that needs to be bypassed. This reduces blower speed on most variable speed blowers. Refer to HVAC equipment manufacturer instructions.

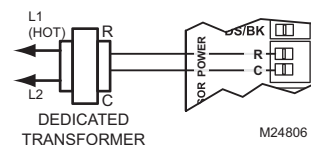
**8** When a wireless thermostat, Portable Comfort Control, wireless outdoor air temperature sensor, or other RedLINK™ wireless device is used on systems up to four zones, wire the THM4000 Wireless Adapter Module to the ABCD terminals on the zone panel. For systems with more than 4 zones, see page 11.



**Fig. 10**

**CAUTION:** Do not wire the A-B-C-D terminals of the THM5320R or THM5421R Wireless Equipment Interface Module to the A-B-C-D terminals on the HZ432 zone control panel. Doing so will damage the components.

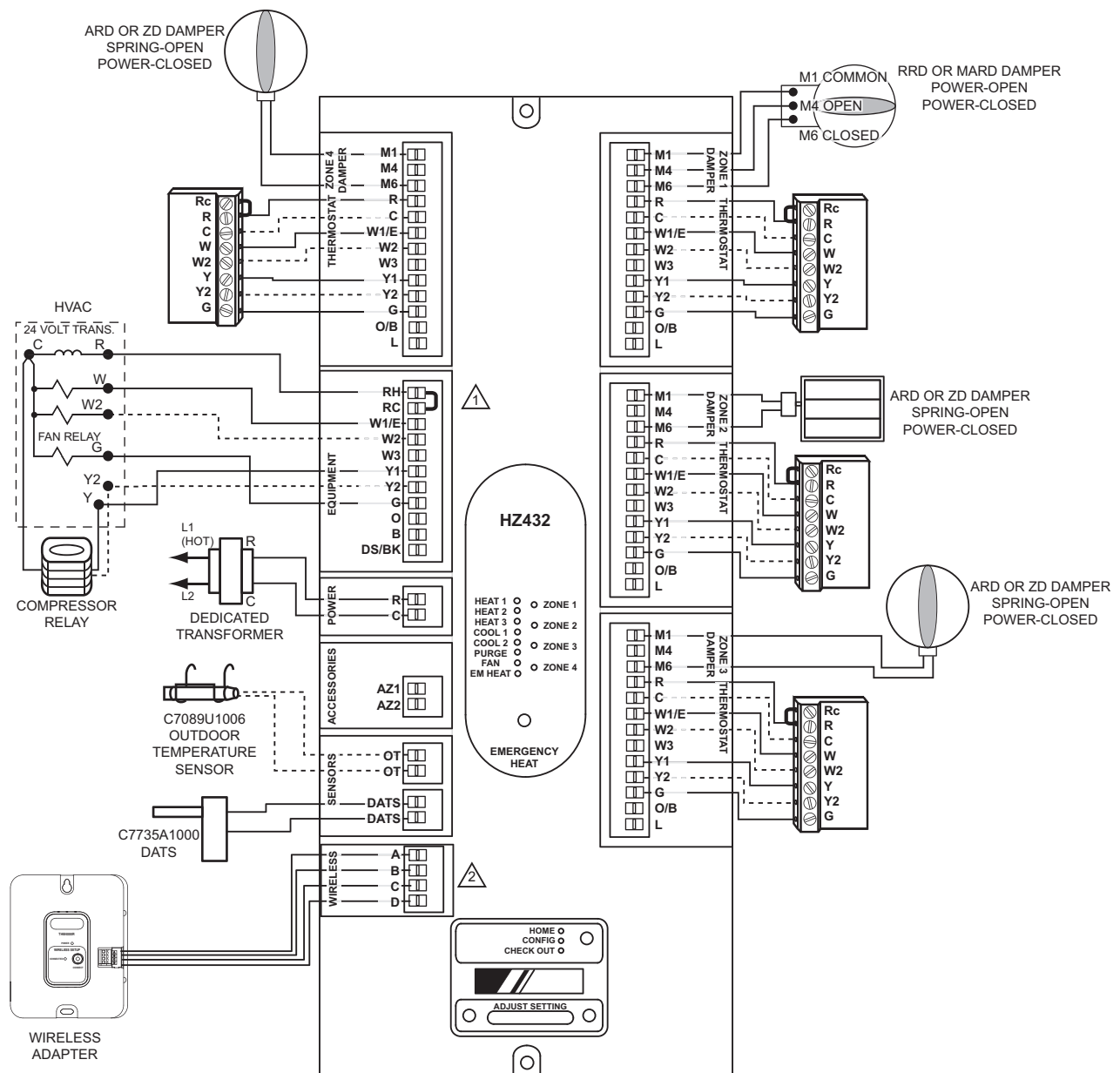
**9** Connect a dedicated transformer as shown.



**Fig. 11**

**CONVENTIONAL**

The following diagram is an overall view of wiring for a conventional system as depicted in steps 3–9.



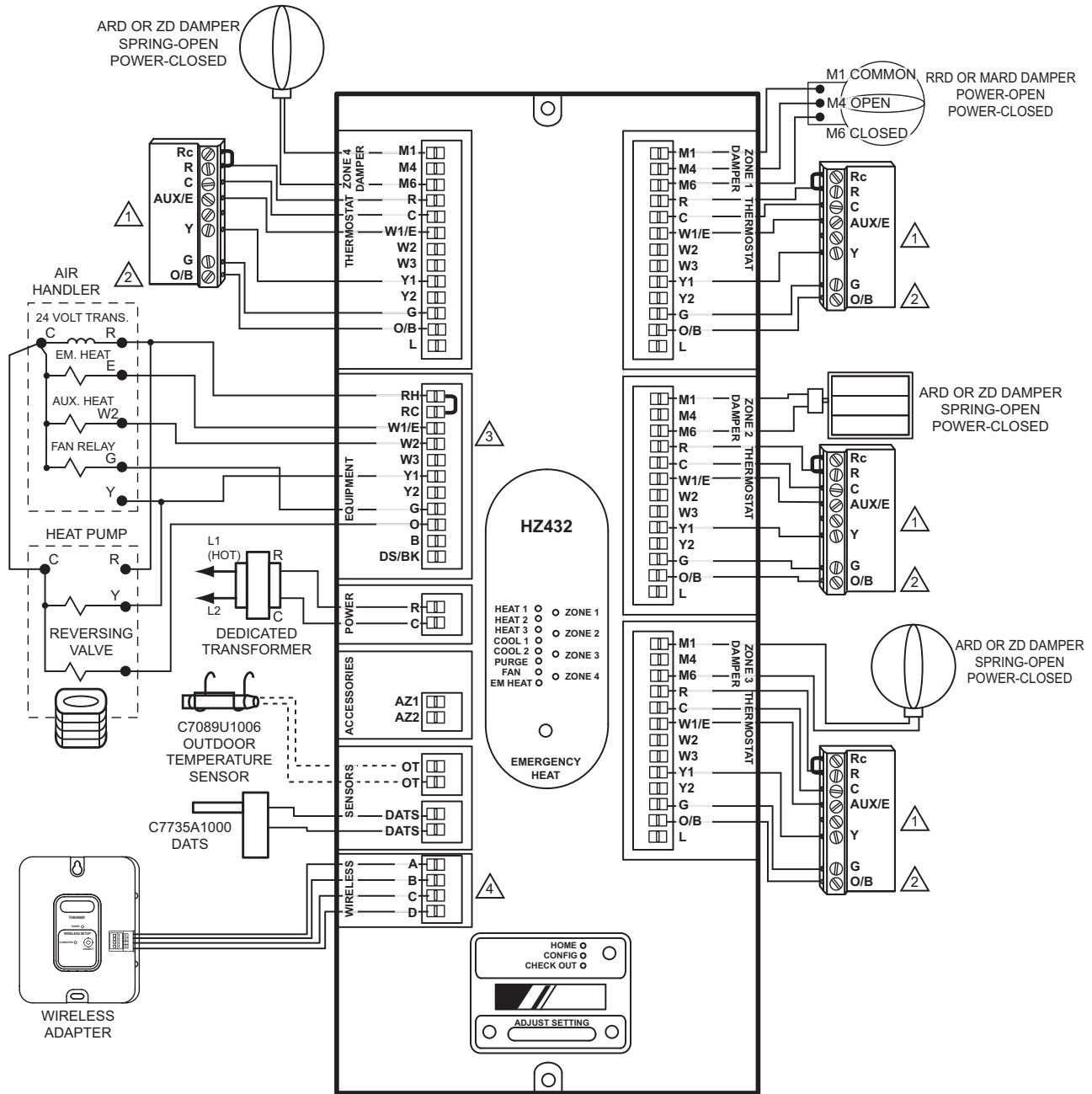
M28196A

**Fig. 12. Zone panel wiring—conventional.**

## HEAT PUMP

Use the following diagram for wiring a 2-heat/1-cool heat pump with electric auxiliary heat.

**NOTE:** You can use a conventional thermostat for a heat pump system; however, em heat can only be controlled by heat pump thermostats or by pressing the Emergency Heat button on the zone panel. The diagram below shows a heat pump thermostat used with a heat pump system.



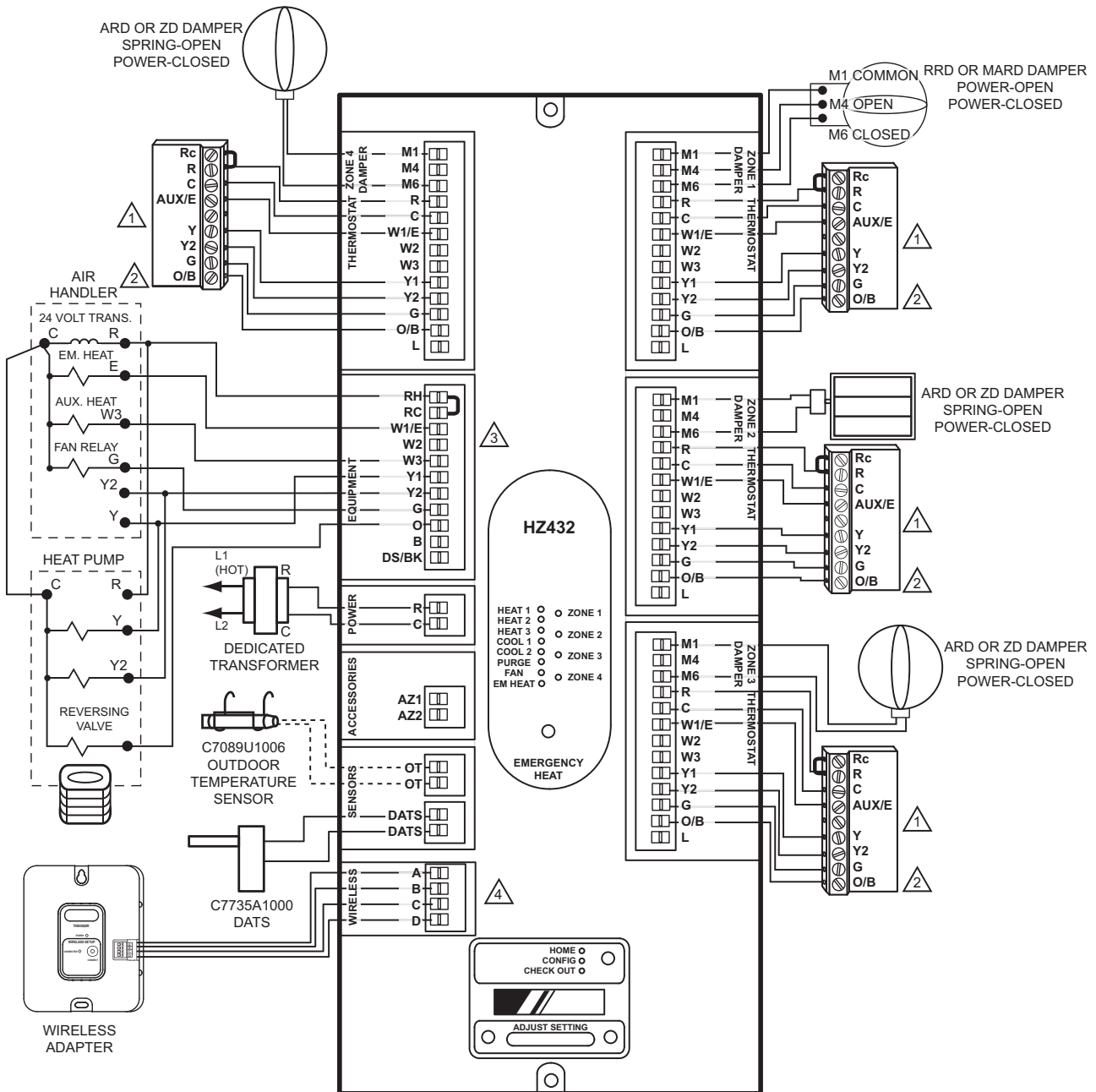
**Fig. 13. Zone panel wiring—heat pump, 2-heat/1-cool with electric auxiliary heat.**

M24794D



# HEAT PUMP

Use the following diagram for wiring a 3-heat/2-cool heat pump with electric stage 3 heat.



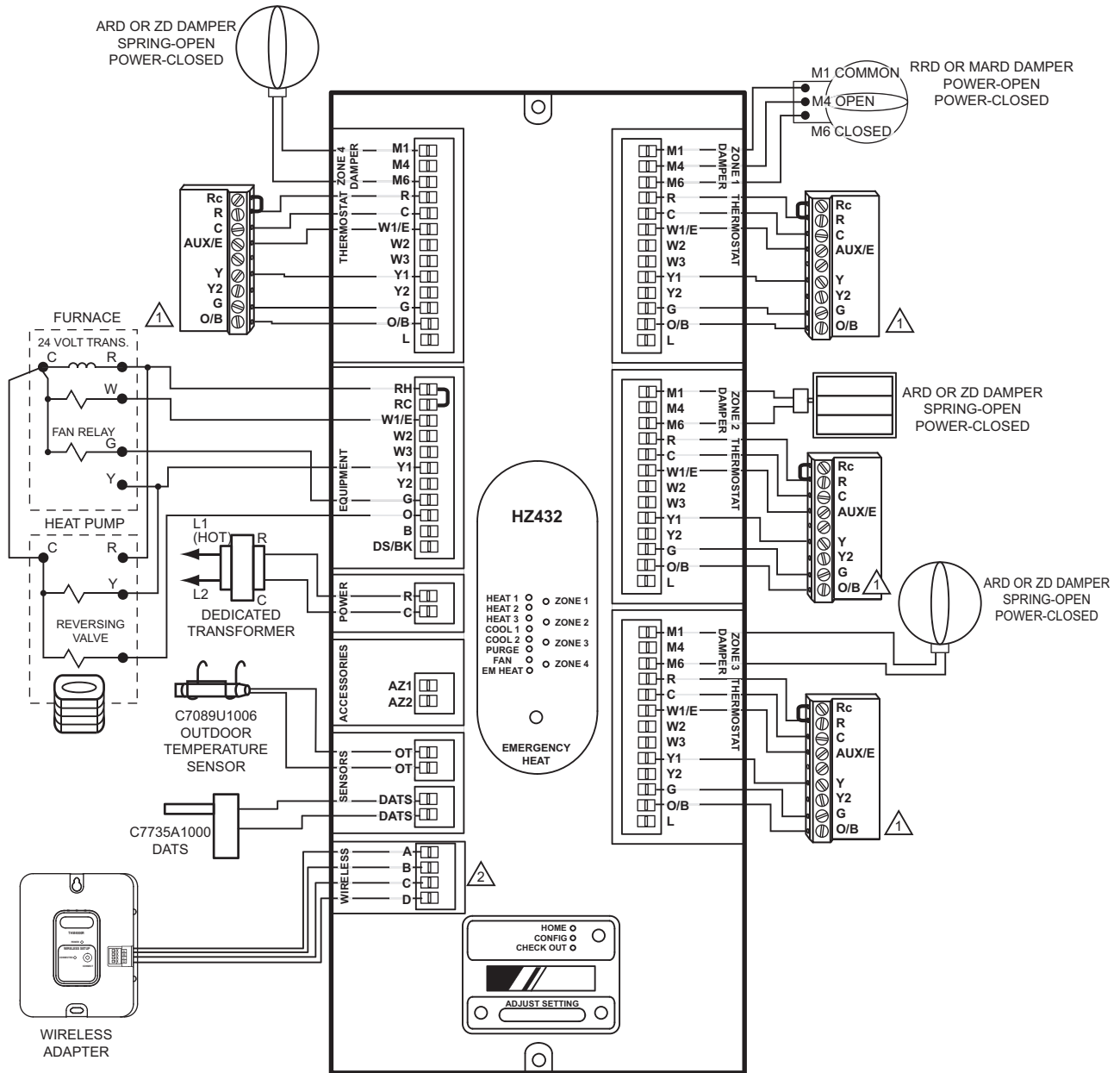
- 1 JUMP W1/E TO W3 AT THE THERMOSTAT CONNECTIONS ON ALL ZONES OF THE ZONE PANEL.
- 2 FOR THERMOSTATS WITH SEPARATE O AND B TERMINALS, ATTACH O FOR COOL CHANGEOVER VALVES OR ATTACH B FOR HEAT CHANGEOVER VALVES.
- 3 IF EQUIPMENT DOES NOT HAVE SEPARATE E AND AUXILIARY TERMINALS, JUMPER E TO W3 ON PANEL AND WIRE TO E.
- 4 ABCD TERMINALS FOR THE THM4000R WIRELESS ADAPTER ONLY. NEVER WIRE A THM5320R WIRELESS EIM TO THESE TERMINALS.

M24795D

**Fig. 14. Zone panel wiring—heat pump, 3-heat/2-cool with electric stage 3 heat.**

## DUAL FUEL

Use the following diagram for wiring a dual-fuel system with single-stage furnace and single-stage heat pump.



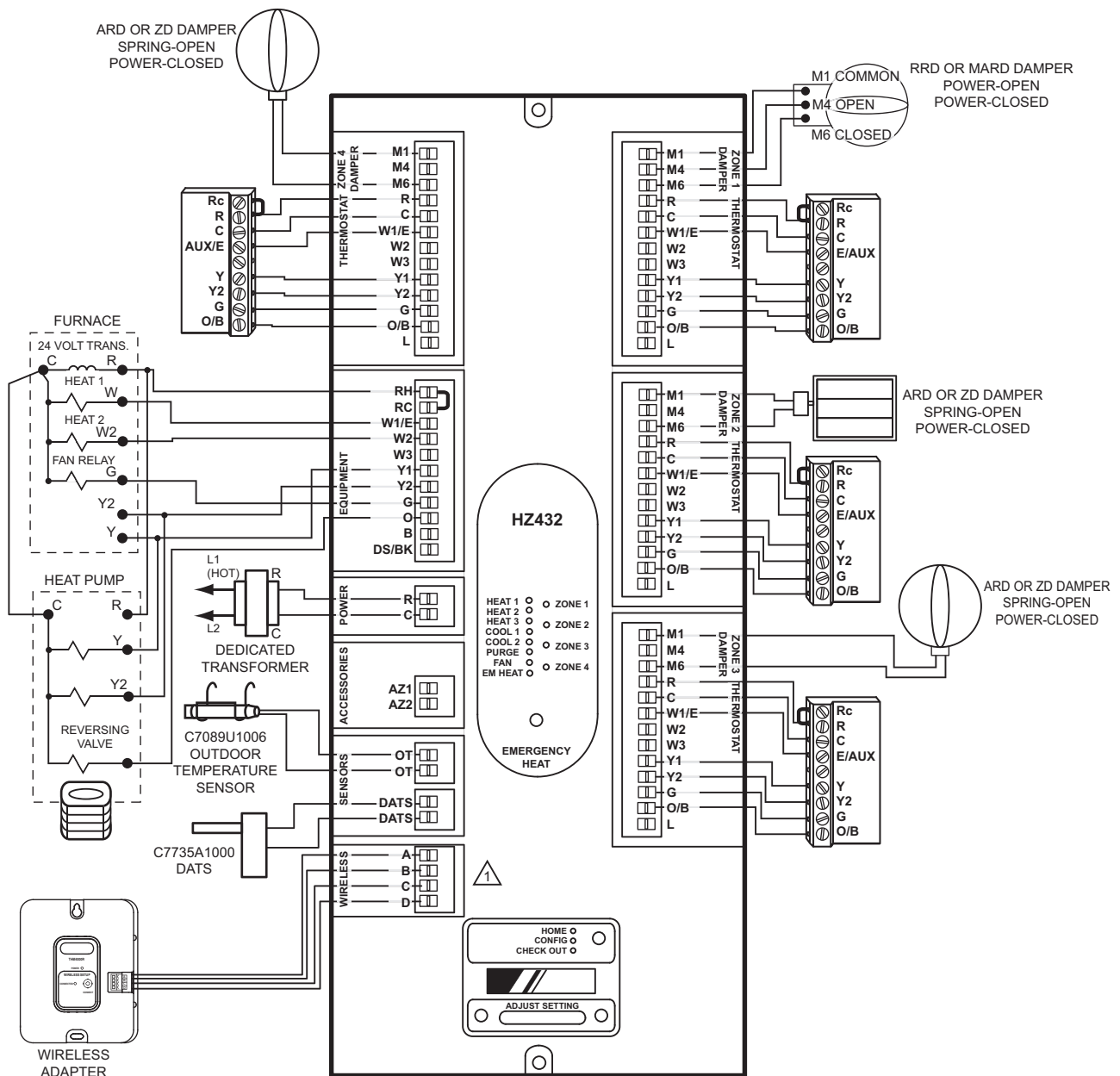
⚠ FOR OIL HEAT WITH A SEPARATE TRANSFORMER FOR COOLING, REMOVE JUMPER.

⚠ ABCD TERMINALS FOR THE THM4000R WIRELESS ADAPTER ONLY. NEVER WIRE A THM5320R OR THM5421R WIRELESS EIM TO THESE TERMINALS. M24796D

**Fig. 15. Zone panel wiring—dual fuel: single-stage furnace and single-stage heat pump.**

**DUAL FUEL**

Use the following diagram for wiring a dual-fuel system with two-stage furnace and two-stage heat pump.



⚠️ ABCD TERMINALS FOR THE THM4000R WIRELESS ADAPTER ONLY. NEVER WIRE A THM5320R WIRELESS EIM TO THESE TERMINALS.

M24793D

**Fig. 16. Zone panel wiring—dual fuel: two-stage furnace and two-stage heat pump.**

# CONFIGURATION

## To enter Configuration:

- 1 Press the Mode button (the Config LED will light up).
- 2 Use the Back and Next buttons to navigate through the configuration settings. Scroll through the selection choices by using the "Adjust Setting" Left and Right arrow buttons. Pressing Next enters the selected option for that menu item and advances to the next menu.
- 3 The flow chart below illustrates basic zone panel configuration. For additional configuration, see Advanced Configuration on page 12. The label on the inside cover of the HZ432 Zone Panel also contains configuration information.

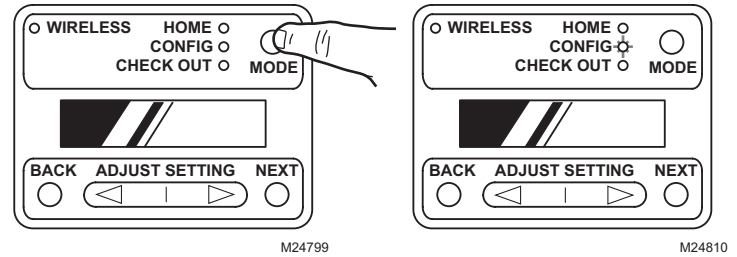
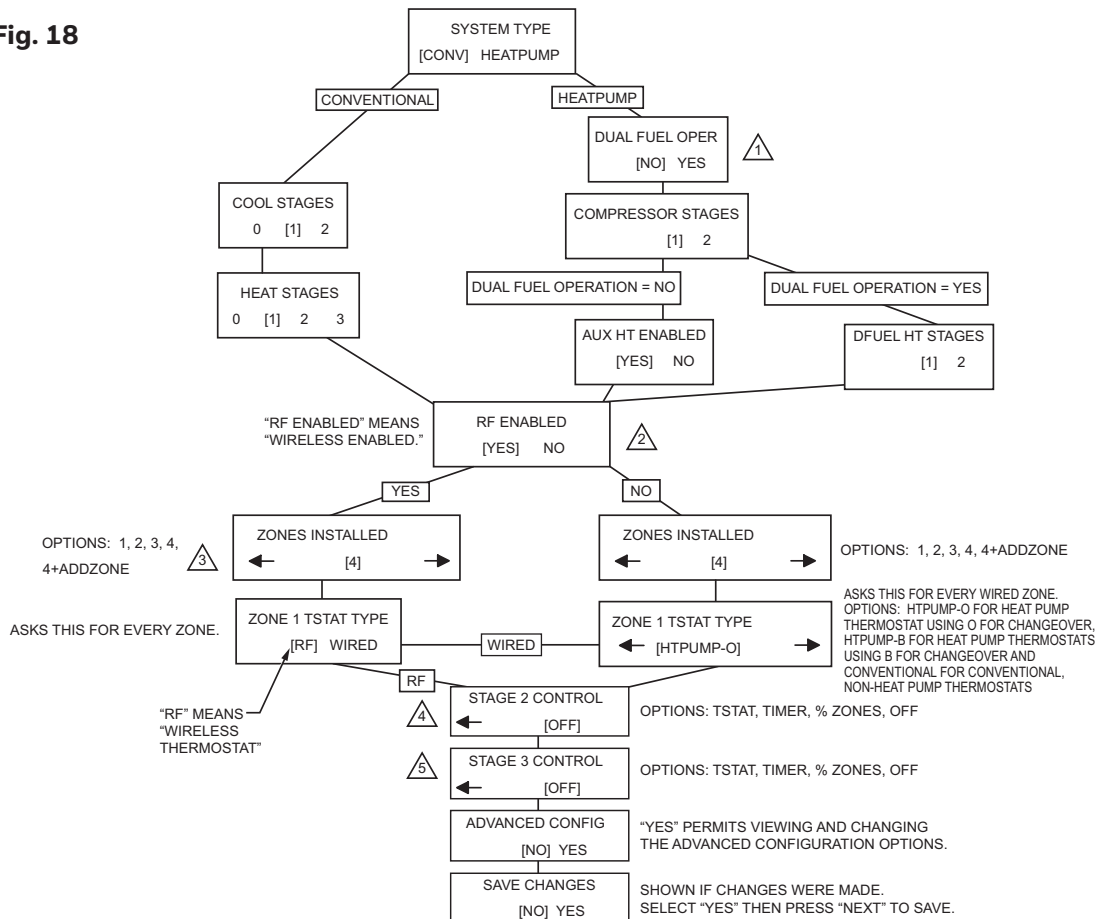


Fig. 17

Fig. 18



- 1 C7089U1006 WIRED OUTDOOR SENSOR, OR C7089R1013 WIRELESS OUTDOOR SENSOR AND THM4000R1000 WIRELESS ADAPTOR REQUIRED IF DUAL FUEL OPERATION IS SET TO YES.
- 2 SET TO "YES" IF WIRELESS (RADIO FREQUENCY) THERMOSTATS AND THM4000R ADAPTOR ARE USED. SET TO "NO" IF THE THM5320R IS USED AS DESCRIBED ON PAGE 11.
- 3 CANNOT USE TAZ-4 ADD-A-ZONE WITH THE HZ432 IF RF ENABLED IS SET TO "YES". SYSTEM IS LIMITED TO 4 ZONES WHEN THM4000 WIRELESS ADAPTER IS USED.
- 4 SHOWN IF COMPRESSOR STAGES, HEAT STAGES, OR DFUEL HT STAGES IS SET TO 2, OR AUX HT ENABLED IS SET TO "YES"
- 5 SHOWN ON NON DUAL FUEL HEAT-PUMPS IF COMPRESSOR STAGES IS SET TO 2 AND AUX HT ENABLED IS SET TO "YES", OR ON CONVENTIONAL APPLICATIONS IF HEAT STAGES IS SET TO 3.

M24812B

## CONNECT WIRELESS DEVICES

4

If connecting wireless devices, press the Mode button until the Wireless LED lights up. The TrueZONE must be configured for wireless devices to select Wireless mode.

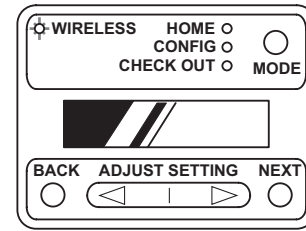
Press Next to add devices.

While the display alternates the Press Connect and Exit screens, push the Connect button(s) on the wireless device(s).

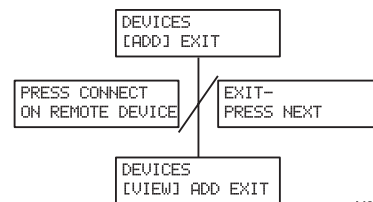
-OR-

Follow the instructions that came with the wireless device(s).

Press Next to exit.



M28194



M28195

**Fig. 19**

5

If using more than 4 zones, use the TAZ-4 Add-A-Zone™ Control Panel. Follow instructions with the TAZ-4 for installation (form 69-1366).

If using a THM4000R wireless adaptor, a maximum of 4 zones may be used. For applications using wireless thermostats and requiring more than 4 zones, do not use a THM4000R. Instead, wire a separate EIM (Equipment Interface Module) to the thermostat terminals of each zone on the zone panel. Then link each wireless thermostat to the corresponding EIM. Configure the HZ432 for RF Enabled = NO. The EIM used with RedLINK VisionPRO and Prestige models is THM5421R1021. The EIM used with RedLINK FocusPRO models is THM5320R1000.



### CAUTION

Do not wire the A-B-C-D terminals of the THM5320R to the A-B-C-D terminals of the HZ432 zone control panel. Doing so will damage the components.

## ADVANCED CONFIGURATION

Use the Adjust Setting, Next, and Back buttons to configure the zone panel. See the Configuration section on page 10 for instructions on using these buttons. Options/information displayed will vary by system type, control type, number of zones, and other settings.

**Table 5. Advanced Configuration.**

Menu Name	Menu Title (LCD top line)	Menu Options (LCD bottom line; defaults in bold)	Menu option description	Notes:
Heat Fan	HEAT FAN CONTROL	<b>[HVAC] PANEL</b>	Fan control by HVAC	In heat mode, fan controlled by HVAC or turned on by panel in call for heat.
		HVAC [PANEL]	Fan control by Panel	
Stage 2 Timer	STAGE 2 TIMER	<b>[5 MIN]</b> > - < [60 MIN] <b>[5 MIN]</b> >	5 minutes–60 minutes	Number of minutes to delay before engaging second stage.
Stage 3 Timer	STAGE 3 TIMER	<b>[5 MIN]</b> > - < [60 MIN] <b>[5 MIN]</b> >	5 minutes–60 minutes	Number of minutes to delay before engaging third stage.
Purge Timer	PURGE TIME	<b>[2] 3.5 5 MIN</b>	2.0 minutes	Number of minutes panel will purge following call for heat or cool.
		2 [3.5] 5 MIN	3.5 minutes	
		2 3.5 [5] MIN	5.0 minutes	
Purge Fan	FAN IN PURGE	<b>[HVAC] PANEL</b>	Fan control by HVAC	Fan controlled by HVAC or panel during purge.
		HVAC [PANEL]	Fan control by Panel	
Purge Dampers	PURGE DAMPERS	<b>[UNCHANGD] OPEN</b>	Dampers Unchanged	Damper position unchanged or all dampers open during purge.
		UNCHANGD [OPEN]	Dampers All Open	
Auto Changeover Delay	CHANGEOVER DELAY	[15] 20 30 MIN	15 minutes auto changeover timer	Number of minutes to delay auto changeover when one zone is calling for heat and another is calling for cooling.
		<b>15 [20] 30 MIN</b>	20 minutes auto changeover timer	
		15 20 [30] MIN	30 minutes auto changeover timer	
DATS Enabled	DISCHARGE SENSOR	[NO] YES	Disabled	Enables or disables DATS. If Disabled, the Multistage DATS Inhibit setting is Disabled.
		NO [YES]	Enabled	
DATS High Limit	DAT HIGH LIMIT	[110 F] > - < [180 F] < <b>[160 F]</b> >	110 deg F–180 deg F	For furnace systems, high limit should be set approximately 15 degrees below the furnace high limit setting.
DATS Low Limit	DAT LOW LIMIT	[30 F] > - < [60 F] < <b>[40 F]</b> >	30 deg F–60 deg F	Low temperature limit.
Multistage DATS Inhibit	DAT MSTG INHIBIT	<b>NO [YES]</b>	Enabled	Allow panel to downstage multistage equipment when near DATS high or low limit.
		[NO] YES	Disabled	
Dual Fuel Changeover	DUALFUEL CHGOVR	<b>[OT] MULTISTG</b>	Dual Fuel Changeover by OT Temp	Allow panel to changeover from heat pump to fossil fuel based on outdoor temperature, or allow second stage call to changeover panel to fossil fuel for a minimum of one hour when outdoor temperature is above OT balance temperature setting. Multistage changeover is only available on dual fuel applications configured for 2 heat pump stages.
		OT [MULTISTG]	Dual Fuel Changeover by OT Temp + multistage call	
Dual Fuel Mstage Changeover Time	CHANGEOVER DELAY	[15 MIN] > - < [180 MIN] <b>[30 MIN]</b> >	Sets fossil fuel changeover delay time.	Sets number of minutes to delay fossil fuel when calling for second stage heat.
OT Temp Enabled	OT SENSOR	<b>[NO] YES</b>	Disabled	Enables or disables outdoor temperature sensor. If Disabled, the Multistage OT Temp Lockout setting is Disabled.
		NO [YES]	Enabled	
Multistage OT Temp Lockout	MSTG OT LOCKOUT	<b>[NO] YES</b>	Disabled	When outdoor temperature is above OT Lockout temperature, locks out second and third stage (only for conventional and heat pump configurations), not dual fuel configurations.
		NO [YES]	Enabled	
OT Balance Temperature (Dual Fuel)	OT BALANCE TEMP	[0 F] > - < [50 F] < <b>[30 F]</b> >	0 deg F–50 deg F	Selects the temperature at which a dual fuel configuration will change from heat pump to fossil fuel.
OT Trip point for multi-stage lockout	OT LOCKOUT TEMP	[0 F] > - < [50 F] < <b>[50 F]</b> >	0 deg F–50 deg F	The temp that locks out second or third stage (only for conventional and heat pump configurations, not dual fuel systems).
LCD Contrast Adjust	LCD CONTRAST	[1] > - < [10] < <b>[5]</b> >	Contrast value 1–10	Sets LCD display contrast for ease of viewing. Lowest contrast is 1, highest contrast is 10.
Save Changes	SAVE CHANGES?	<b>[NO] YES</b>	Disabled	Saves or rejects the configuration settings.
		NO [YES]	Enabled	

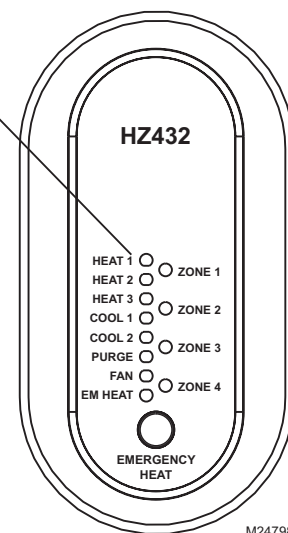
## OPERATION

The HZ432 TrueZONE panel contains an LED display that communicates system and zone status. The LEDs indicate the following information.

Much of this information, as well as configuration information, is listed on the label on the inside of the HZ432 cover. For users who prefer French or Spanish labels, they are provided in form 69-2198FS. Cut them out and attach them to the inside of the HZ432 cover.

**Table 6. LED Operation.**

LED	Description
HEAT 1	Solid when in heat stage 1. Blinking when DATS high limit mode has been reached.
HEAT 2, 3	Solid when in heat stage 2, 3. Blinking when stage 2, 3 locked out due to DATS or OT.
COOL 1	Solid when in cool stage 1. Blinking when DATS low limit mode has been reached.
COOL 2	Solid when in cool stage 2. Blinking when stage 2 locked out due to DATS.
PURGE	Solid when in purge (at power-up and after a call for heat or cool). Blinking when the DATS sensor has failed, or the wires are shorted or open. Will blink for 3 minutes at power-up if DATS is not present.
FAN	Solid with a call for fan.
EM HEAT	Solid when in emergency heat mode. This light does not indicate a call for heat. Emergency heat will only run when both HEAT and EM HEAT are lit.
ZONE 1, 2, 3, 4	Solid green when open or opening. Solid red when closed or closing. Blinking amber when the VA draw of the dampers exceeds the specified VA, or if there is a short circuit on the damper or thermostat wiring, causing that zone's breaker to trip.



**Fig. 20**

## CHECKOUT

To enter Checkout, with the zone panel cover off, press the Mode button until the Check out LED lights up. Use the Adjust Setting and Next buttons to work through the checkout menu as listed below. See the Configuration section on page 10 for instructions on using these buttons.

Steps 3–10 cycle through heating and cooling stages and open and close dampers to verify proper operation of the equipment and dampers. These steps energize the equipment and damper terminals.

Steps 11–14 verify thermostat operation and correct wiring. This is done by making the thermostats call for heat or cool and viewing the active wires as displayed on the LCD screen. This is a useful way to troubleshoot which thermostat terminals are actually energized on each zone.

**Table 7. Checkout.**

Checkout Step	Line 1 display	Line 2 Display	Notes:
1. Display shows OT	OT SENSOR VAL	current OT temp (dynamic)	All zone dampers open, all other relays OFF.
2. Display shows DATS	DAT SENSOR VAL	current DATS (dynamic)	
3. Heat stages test	TEST HEAT	[OFF] 1 2 3	Heat turns on (fan also turns on if configured for fan on in heat).
4. EM Heat stages test	TEST EMERG HEAT	[OFF] 1 2	Emergency heat turns on (fan also turns on).
5. Cool stages test	TEST COOL	[OFF] 1 2	Cooling turns on (fan also turns on).
6. Fan Test	TEST FAN	[OFF] ON	Fan cycles on and off.
7. Damper 1 test	TEST Z1 DAMPER	[OPEN] CLOSED	Cycles damper position with fan on.
8. Damper 2 test	TEST Z2 DAMPER	[OPEN] CLOSED	Cycles damper position with fan on.
9. Damper 3 test	TEST Z3 DAMPER	[OPEN] CLOSED	Cycles damper position with fan on.
10. Damper 4 test	TEST Z4 DAMPER	[OPEN] CLOSED	Cycles damper position with fan on.
11. View Tstat1 inputs	ZONE1 STAT INPTS	Displays active Tstat1 terminals or displays wireless thermostat operation	Tests thermostat connection with HVAC off.
12. View Tstat2 inputs	ZONE2 STAT INPTS	Displays active Tstat2 terminals or displays wireless thermostat operation	Tests thermostat connection with HVAC off.
13. View Tstat3 inputs	ZONE3 STAT INPTS	Displays active Tstat3 terminals or displays wireless thermostat operation	Tests thermostat connection with HVAC off.
14. View Tstat4 inputs	ZONE4 STAT INPTS	Displays active Tstat4 terminals or displays wireless thermostat operation	Tests thermostat connection with HVAC off.
15. Exit checkout mode?	EXIT CHECKOUT?	(NEXT = EXIT)	

---

## WARRANTY

Resideo warrants this product, excluding battery, to be free from defects in workmanship or materials, under normal use and service, for a period of five (5) years from the date of first purchase by the original purchaser. If at any time during the warranty period the product is determined to be defective due to workmanship or materials, Resideo shall repair or replace it (at Resideo's option).

If the product is defective,

(i) return it, with a bill of sale or other dated proof of purchase, to the place from which you purchased it; or

(ii) call Resideo Customer Care at 1-800-828-8367. Customer Care will make the determination whether the product should be returned to the following address: Resideo Return Goods, 1985 Douglas Dr. N., Golden Valley, MN 55422, or whether a replacement product can be sent to you.

This warranty does not cover removal or reinstallation costs. This warranty shall not apply if it is shown by Resideo that the defect was caused by damage which occurred while the product was in the possession of a consumer.

Resideo's sole responsibility shall be to repair or replace the product within the terms stated above. RESIDEO SHALL NOT BE LIABLE FOR ANY LOSS OR DAMAGE OF ANY KIND, INCLUDING ANY INCIDENTAL OR CONSEQUENTIAL DAMAGES RESULTING, DIRECTLY OR INDIRECTLY, FROM ANY BREACH OF ANY WARRANTY, EXPRESS OR IMPLIED, OR ANY OTHER FAILURE OF THIS PRODUCT.

Some states do not allow the exclusion or limitation of incidental or consequential damages, so this limitation may not apply to you.

THIS WARRANTY IS THE ONLY EXPRESS WARRANTY RESIDEO MAKES ON THIS PRODUCT. THE DURATION OF ANY IMPLIED WARRANTIES, INCLUDING THE WARRANTIES OF MERCHANTABILITY AND FITNESS FOR A PARTICULAR PURPOSE, IS HEREBY LIMITED TO THE FIVE YEAR DURATION OF THIS WARRANTY. Some states do not allow limitations on how long an implied warranty lasts, so the above limitation may not apply to you.

This warranty gives you specific legal rights, and you may have other rights which vary from state to state. If you have any questions concerning this warranty, please write Resideo Customer Care, 1985 Douglas Dr, Golden Valley, MN 55422 or call 1-800-828-8367.



Resideo Technologies, Inc.  
1985 Douglas Drive North, Golden Valley, MN 55422  
1-800-633-3991  
69-2198-09 M.S. Rev. 03-20 | Printed in United States