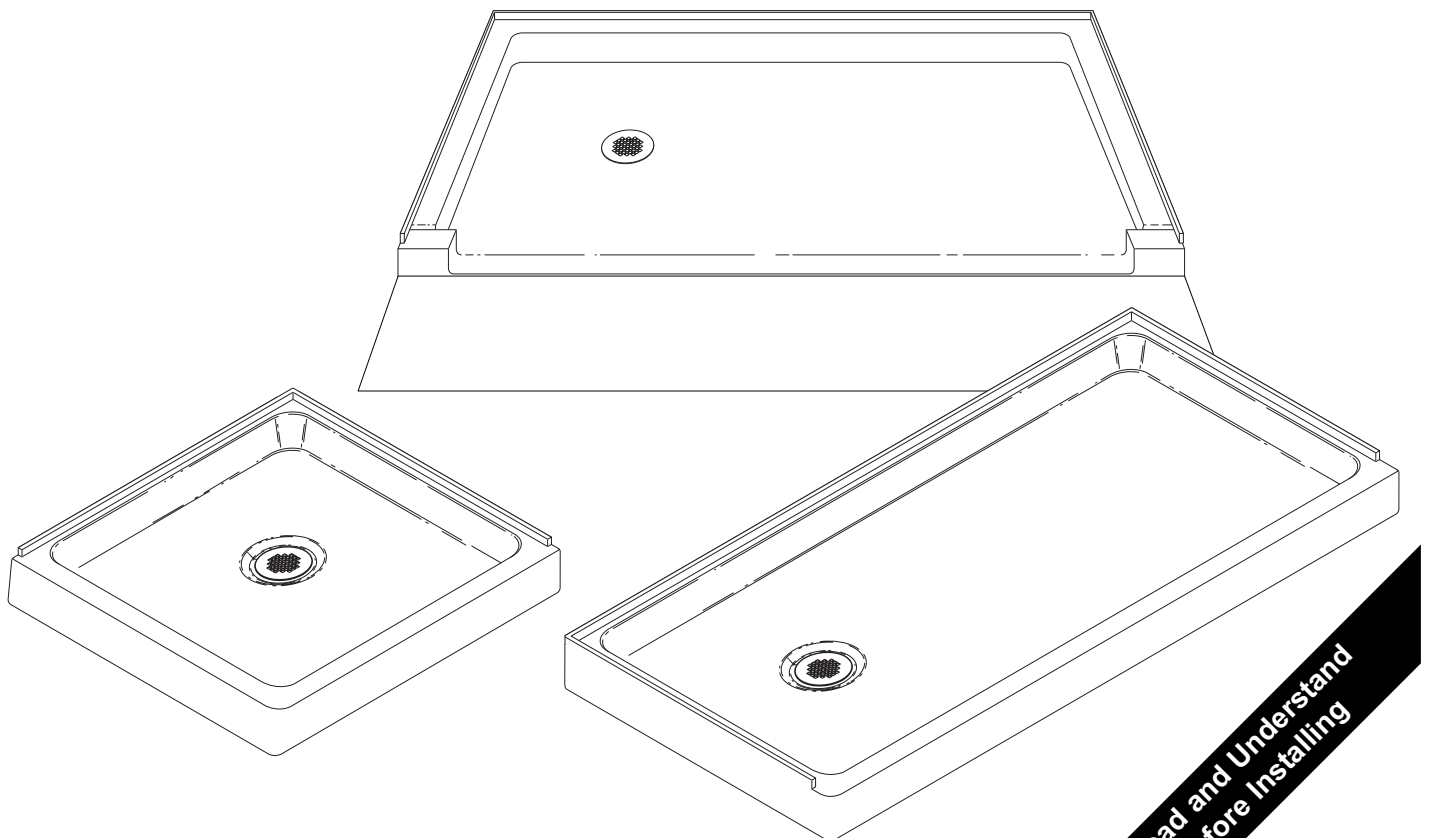




Shower Floors — Square, Rectangular, Neo-Angle, and Barrier-Free

- **Product Warnings**
- **Safety Guidelines**
- **General Information**
- **Installation Procedure**
- **Cleaning & Maintenance**
- **Surface Repair**
- **Warranty Information**



**Read and Understand
Before Installing**

The Swan Assurance — if our product is properly installed and maintained, as stated in these instructions, it will not leak.

Remember - Safety First

IMPORTANT NOTICE

The Swan Corporation, the makers of the Swan products, cannot anticipate every possible circumstance that might involve a potential hazard during the installation of our product(s). The warnings and instructions in this installation guide are, therefore, not all-inclusive. If a tool, installation procedure, or work method that is not specifically recommended by The Swan Corporation is used, you must satisfy yourself that it is safe. You should also make sure that the Swan product(s) will not be damaged by the methods you choose. The Swan Corporation will not be held responsible for water damage of any kind in connection with the installation of one of our Swan bath/shower/panel kits.

WARNING

To avoid product damage, personal injury, or even possible death, carefully read, understand, and follow all the instructions in this installation guide before installing this product(s). Do not use cleaning fluids or operate power tools unless you read and understand the instructions and warnings in this and all other applicable labels or manuals. Proper use of tools and the products described in this guide is your responsibility.

WARRANTY

This product is covered by a Limited Lifetime Warranty. Refer to the Warranty section in this manual for complete details.

Save this manual for future reference.

Important information on cleaning, maintenance, and repair is contained within.

Safety Guidelines

IMPORTANT NOTICE

IMPORTANT NOTICE: Indicates that equipment or property damage can result if instructions are not followed.



Read and Understand the Manual

It is the responsibility of any individual who installs or maintains this product to fully understand and follow proper installation and maintenance procedures. Be aware of the inherent dangers in the use of power tools when installing this product. Read and understand all Warnings, Cautions, and Important Notices in this manual.



Work Safely

DO NOT proceed if any doubt arises about the correct or safe method of performing anything found in this or other Swan manuals. The installation of this product can require using power tools. Do not use power tools without adequate training. If necessary, hire or consult a trained professional for expert assistance before continuing.



Use Proper Tools

Always use proper tools which are in good, working condition during the installation of the Swan products. Using tools other than those listed could adversely affect the integrity of floors, pipes, walls, or this product and could result in water damage, or other damage to floors, pipes, walls, or other portions of your building or home.



Do Not Use Nails

To prevent damage to the shower floor and possible water or other damage to floors, pipes, walls, or other portions of your building or home, do not nail or screw **through** the shower floor to secure it to the stud wall framework. Nails can be used, but are not necessary, to hold the shower floor in place. If nails are used, they must be installed **above** the shower flange and not through it. Refer to the specific instructions in this manual for the proper installation of these optional nails.



Inspect Before Cutting

Make sure no electrical wiring or plumbing is present before cutting into the floor for the floor drain.

CAUTION

CAUTION: Indicates a potentially hazardous situation which, if not avoided, may result in minor or moderate injury. It may also be used to alert against unsafe practices.



Lifting Hazard

According to the National Institute for Occupational Safety and Health, the recommended maximum safe lifting weight is 51 pounds, with all lifting conditions perfect—minimal forward reach, steady load close to the body, straight back, load between knees and shoulders, and good grips. To avoid personal injury, always use these proper lifting techniques and use two people to move heavy cartons. Use the appropriate lifting devices to move the load. Always use two people when lifting heavy or bulky cartons. **DO NOT** attempt to lift objects that are too heavy.

WHEN CARRYING A HEAVY LOAD—GET HELP!



Slipping Hazard

Do not install this product in the presence of water. Installing this product without drying all surfaces, or in the presence of water, could cause you to slip and fall due to wet floors or spilled fluids. Personal injury can result from slips or falls. Before installation, dry all surfaces, including the floor, with a cloth or paper towel. Clean up all water or spilled fluids immediately.



Tripping Hazard

Personal injury can result from tripping over power cords, tools, or other items. **DO NOT** leave items laying around the work area.



Personal Protection

Be sure to use all personal protective equipment, such as sturdy work boots, preferably with steel toes, gloves, and hard hat, if necessary, to ensure your own safety. To prevent possible damage to your hearing, always wear ear protection, such as earmuffs or earplugs, when working around power tools.



Cutting Hazard

The installation of the Swan product may require using power tools. Keep hands away from the cutting edge of any tool used in the installation of our product. Placing fingers in or around the cutting blades could result in serious personal injury.

! WARNING

WARNING: Indicates a potentially hazardous situation which, if not avoided, could result in serious injury or death.



Eye Protection

Be sure to use all personal protective equipment to ensure your own safety. To avoid eye injury, always wear protective glasses with side shields when using power tools. Also, make sure no one else can be injured by flying particles when using power tools.



Fire Hazard

Personal injury or death can result from a fire caused by flammable liquids or silicone. Cleaners or solvents can be highly explosive, resulting in personal injury or even death, when not used properly. Clean up any flammable substance immediately. Sparks or open flames can cause flammable substances to ignite. **DO NOT** smoke while working on or near any flammable substance.



Solvents Hazard

Follow all manufacturer's safety instructions for silicone and denatured alcohol. Alcohol vapors are both flammable and hazardous to breathe. Silicone vapors may irritate eyes and nose. Personal injury can result from improperly handling or use of products such as denatured alcohol. Always follow the manufacturer's recommendations for the safe use of these products. Ventilate any work area before beginning to apply silicone, cleaning agents, or solvents.



Fumes Hazard

The fumes from the silicone and solvents used by the installer can be harmful if used in an unventilated room. Always work in a well-ventilated area.



Dust Hazard

When cutting the hole for the floor drain, use a dust collection method which prevents dust particles from going into the air. Always work in a well-ventilated area. Always use an OSHA approved dust mask when cutting.



Power Tool Hazard

To prevent personal injury or possible death, always follow the electrical safety recommendations of the power tool's manufacturer. Do not use power tools in an unsafe manner. Power tools should only be connected to a circuit protected by a ground-fault circuit interrupter (GFI).



Shock Hazard

Never use electric power tools around water, condensation, or other liquids. Electric shock can cause severe burns, significant injuries, and even death. If an extension cord is required, always use an OSHA approved extension cord. Power cords should only be connected to a circuit protected by a ground-fault circuit interrupter (GFI).



Electrical Shock Hazard

Contacting live electrical wiring with power tools or hand tools can cause serious injury or death. Make sure all related circuit breakers are turned OFF. Test for live circuits or wiring inside any wall where installation of the Swan product requires cutting into a wall.



Electrocution Hazard

Water and other liquids conduct electric current and can create a short circuit, resulting in injury or death. Keep all liquids away from electrical cords and power tools. **DO NOT** create a short circuit between a source of electricity and a liquid by being in contact with both simultaneously.



Grab Bars

It is recommended that shower compartments be equipped with support grab bars that comply with the most recent edition of ANSI-A117.1 requirements. Grab bars must be anchored to structural support (wall studs) behind shower compartment panels. Do not rely on the panels only for grab bar support!

General Information

General Information

Followed carefully, these installation instructions will result in an easy, trouble-free installation of your Swan Corporation product. Any deviations, additions, and/or deletions from the prescribed installation, without prior written approval of our Customer Relations Department, will void the warranty covering this product. Not following the directions could also result in personal injuries, water damage, and other damage to floors, pipes, walls, and other portions of your building or home.

Important Information

- **If the shower floor is installed in conjunction with a Swanstone SA Series Alcove Wall Kit, please read both instruction manuals before proceeding. The SA Series Alcove Wall Kits do not require the installation of moisture-resistant wall board.**
- **If the shower floor is installed in conjunction with solid surface wall panels or ceramic tile, the stud wall framework must first have the appropriate 1/2" (13 mm) moisture-resistant wall board, marine grade plywood, or cement board installed.**

Note: Install the SA Series Alcove Wall Kit or other appropriate wall board material after installing the shower floor.

Required Tools

- Hammer
- Saber saw (for cutting 6" drain hole in subfloor)
- Tape measure
- Level
- Large head roofing nails (optional)
- Filler (thinset or mortar)
- Clean paper towels or shop towels

Unpackaging

- Use care when opening the box so that you do not damage the shower floor.
- This product is shipped to you or your retail center after careful inspection. After purchasing the kit, carefully unbox and inspect the product for any shipping damage that may have occurred. If damage is found, report it immediately to the store of purchase. Installation of a damaged product will void the warranty.
- Make sure the shower floor is the correct size and confirm that all parts of this kit have been included before beginning installation.
- During construction, protect the product from damage by moving it to another room or area until time to install the shower floor.
- Store the shower floor on a flat surface until the time of installation. Do not store the shower floor outside of the original packaging in a vertical position.
- Please use the model number located on the side of the box when contacting us with questions concerning the installation of this unit.

Helpful Hints

- Read all instructions carefully, BEFORE starting the installation. Familiarize yourself with the various parts of the kit.
- The variety of installations possible for this kit may require procedures other than those shown. Ensure that framework construction is correctly sized, plumb, and square.
- Save the large cardboard box for protection of the shower floor during the installation process.
- Store unused materials away from the work area to prevent accidental damage.
- If the shower is placed over a garage or on an outside wall, care must be taken to ensure that the shower plumbing is properly insulated from cold temperatures.

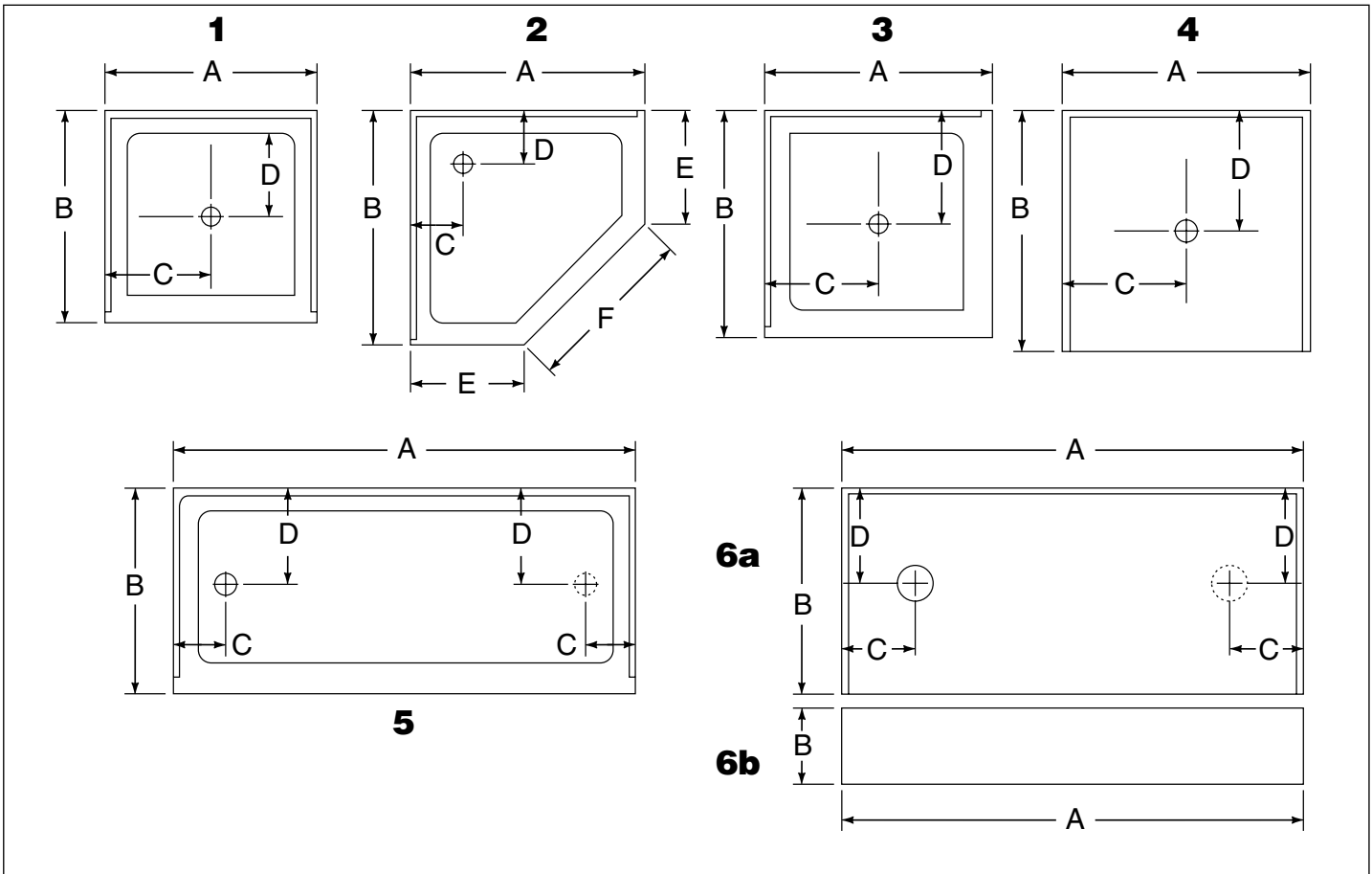
Installation Tips

- Measure the actual shower floor before building or modifying the stud wall framework. The recommended framework opening measurements are 3/8" wider and at least 3/16" deeper than the actual size of the shower floor.
- Turn off the hot and cold water supply during construction.
- Never install our products directly on any surface that is or may become, wet or damp.
- Ensure all plumbing or electrical work inside the walls or subfloor is finished prior to installation of the shower floor and wall panels.
- Make sure the drain hole in the subfloor or slab is large enough (6" diameter recommended) and aligns with the hole in the shower floor.
- Make sure the subfloor under the shower floor is level in both directions. The shower floor must be level when installed. Improper installation will void the warranty.
- The subfloor under the shower floor must be free of dirt, film, waxes, or any other residues.

Disclaimer

- The information contained in this Installation Manual is given free of charge. It is based upon technical data which we believe to be reliable and is intended for use, by persons having knowledge of this technical area, at their own discretion and risk. Swan assumes no responsibility for results obtained or damage incurred from the use of this material either in whole or in part by the buyer.
- This manual will give you basic step-by-step instructions for the installation of the product that will work in most types of installations. If you have an installation application that is not covered in this manual, **before beginning the installation**, please call your local Swan distributor or contact the Swan Corporation directly for additional information about your application.
- Follow all installation instructions. Failure to follow these instructions could result in personal injuries, water damage, or other damage to floors, pipes, walls, or other portions of your building or home.

General Information



These dimensions are approximate sizes only. For proper fit, measure the actual shower floor prior to building the framework to determine the exact size. Add 3/8" to the width measurement and at least 3/16" to the depth measurement of the actual shower floor to create the size of the framework opening needed.

Shower Floor and Drain Opening - Approximate Construction Dimensions

| Item | Nominal Size | Dimension A | Dimension B | Dimension C | Dimension D |
|-----------------|--------------|-------------|-------------|-------------|-------------|
| 1 ¹ | 32" x 32" | 32-3/8" | 32-3/16" | 16-3/16" | 16-3/16" |
| 1 | 32" x 48" | 48-3/8" | 32-3/16" | 24-3/16" | 16-3/16" |
| 1 | 32" x 60" | 60-3/8" | 32-3/16" | 30-3/16" | 16-3/16" |
| 1 | 34" x 42" | 42-3/8" | 34-3/16" | 21-3/16" | 17-3/16" |
| 1 | 34" x 48" | 48-3/8" | 34-3/16" | 24-3/16" | 17-3/16" |
| 1 | 34" x 54" | 54-3/8" | 34-3/16" | 27-3/16" | 17-3/16" |
| 1 | 34" x 60" | 60-3/8" | 34-3/16" | 30-3/16" | 17-3/16" |
| 1 | 36" x 36" | 36-3/8" | 36-3/16" | 18-3/16" | 18-3/16" |
| 1 | 42" x 36" | 36-3/8" | 42-3/16" | 18-3/16" | 21-3/16" |
| 1 | 42" x 42" | 42-3/8" | 42-3/16" | 21-3/16" | 21-3/16" |
| 2 ² | 36" x 36" | 36-1/8" | 36-1/8" | 12-3/16" | 12-3/16" |
| 2 ³ | 38" x 38" | 38-1/8" | 38-1/8" | 12-3/16" | 12-3/16" |
| 3 | 36" x 36" | 36-1/16" | 36-1/16" | 18-1/16" | 18-1/16" |
| 4 | 38" X 37" | 38-3/8" | 37-3/16" | 19-3/16" | 18-9/16" |
| 5 | 32" x 60" | 60-3/8" | 32-3/16" | 8-3/16" | 15-3/16" |
| 6a ¹ | 30" X 60" | 60-3/8" | 30-3/16" | 8-3/16" | 15-3/16" |
| 6b | 12" X 60" | 60" | 12" | — | — |

Footnote 1—Shower floor area does not meet code for commercial applications. Footnote 2—Dimension E is 18-3/16" and F is 25-1/8".

Footnote 3—Dimension E is 20-3/16" and F is 25-1/8".

Understanding Framework Construction

Swan Corporation cannot anticipate every possible installation situation or condition. The variety of installations possible for this shower floor may require procedures other than those shown. Plan ahead to ensure that stud wall framework construction is correctly sized, plumb, and square.

The key to a good shower floor installation is proper fit within the stud wall framework. Remember these important points to ensure a smooth installation.

- Completely read and understand this manual and the appropriate shower solid surface wall panel installation manual prior to beginning the project.
- Measure the actual shower floor and use these dimensions to build or modify the stud wall framework to fit. A 3/16" gap between the framework and the Swanstone shower floor flange is acceptable.

Installation Options

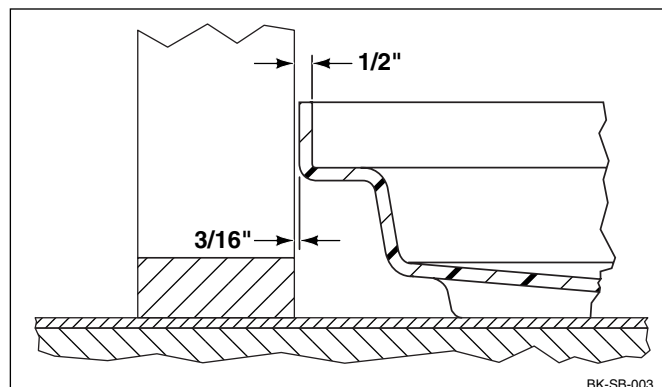
- The shower floor can be installed with the flange directly against the stud wall framework and 1/2" moisture-resistant wall board installed above the shower floor flange.
- The shower floor can be installed with the flange directly against the stud wall framework and a Swan Corporation SA Series Alcove Wall Kit can be installed directly onto the wall stud framework. Refer to the alcove wall kit manual for more information, prior to building/modifying the framework.
- The shower floor can be installed with the flange against existing moisture-resistant wall board with a second layer of 1/2" moisture-resistant wall board added above the shower floor flange.

IMPORTANT NOTICE

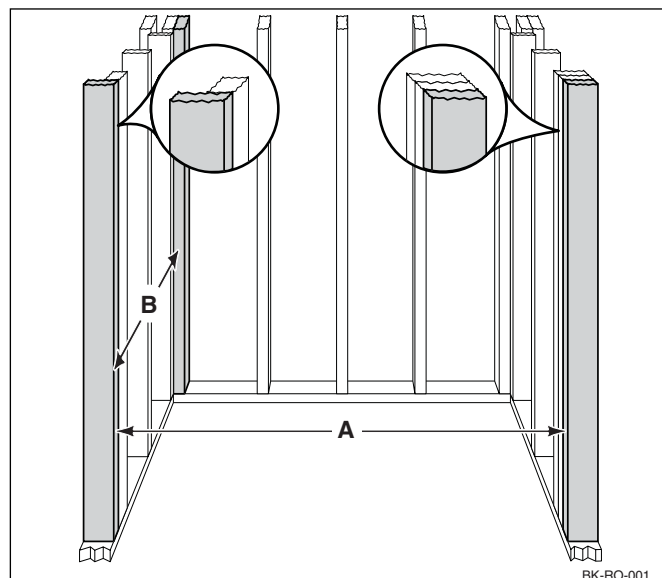
If installing a Swan Corporation Alcove Wall Kit in conjunction with the shower floor, note that the alcove side panels are designed to extend out past the edge of the shower floor. Read the Alcove Wall Kit installation manual and build the framework to the specifications outlined in that publication.

Framework Construction

1. Measure the actual shower floor prior to building or modifying the stud wall framework to determine the exact size required.
2. Add 3/8" to width measurement (B) and at least 3/16" or more to depth measurement (A) of the shower floor to correctly size the framework opening.
- 3a. For new construction, build a wood or steel stud framework for the shower enclosure. Dry fit the shower floor. The ideal gap between the shower floor flange, each side wall framework and the back wall framework is 3/16", as shown below.

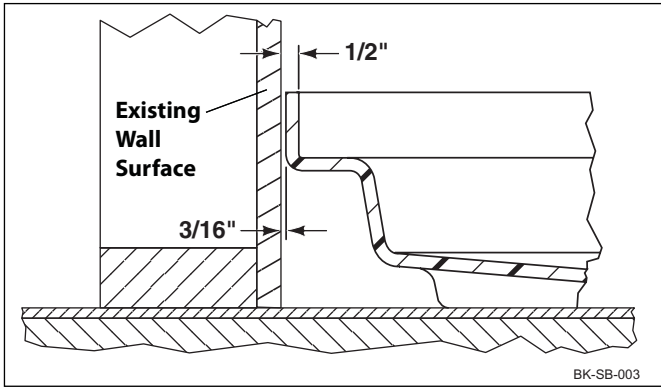


Note: When constructing or modifying stud wall framework, make sure to install (gang) multiple studs to provide support for any required moisture resistant wall board, solid surface panel attachment flanges, or filler boards, etc. Framework depth (B) must be at least 3/16" more than the actual depth measurement of the shower floor.



Installation Procedure

3b. For existing construction, dry fit the shower floor to make sure it fits correctly in the shower enclosure framework. If necessary, modify the framework to achieve the proper shower floor fit. The illustration below shows the ideal shower floor flange to existing wall surface gap of 3/16"

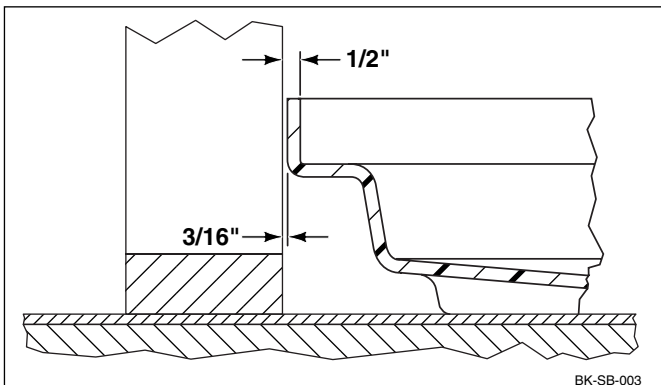


Note: Barrier-free shower floor and ramp installation instructions are provided in a separate section in this manual. If installing a barrier-free shower floor, refer to the following examples for information on constructing the appropriate framework, then, refer to the Barrier-Free Shower Floor and Ramp Installation section in this manual.

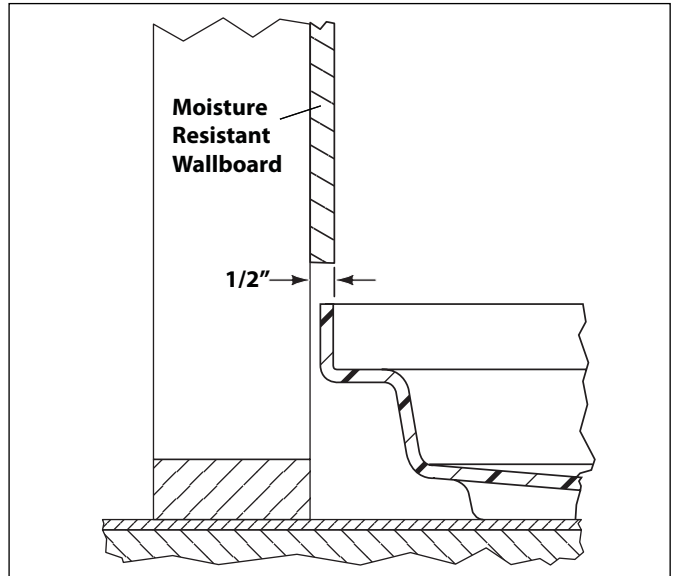
Example 1

If the shower floor is to be installed in conjunction with Swan Corporation solid surface wall panels or alternate wall panels/ceramic tile, the following procedures must be followed.

1. Install the shower floor following the appropriate instructions in the Standard Shower Floor Installation or Barrier-Free Shower Floor and Ramp Installation section in this manual. The illustration below shows the ideal shower floor flange to frame work gap of 3/16".

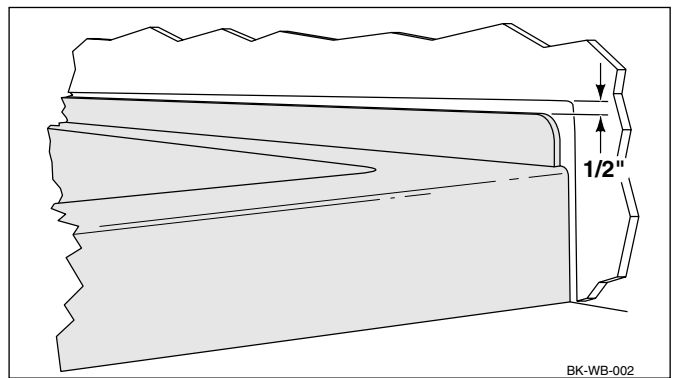


2. After the shower floor installation is complete, install 1/2" moisture-resistant wall board, as shown. The ideal installation results when the outside surface of the wall board and shower floor flange are flush, as shown in the illustration below.

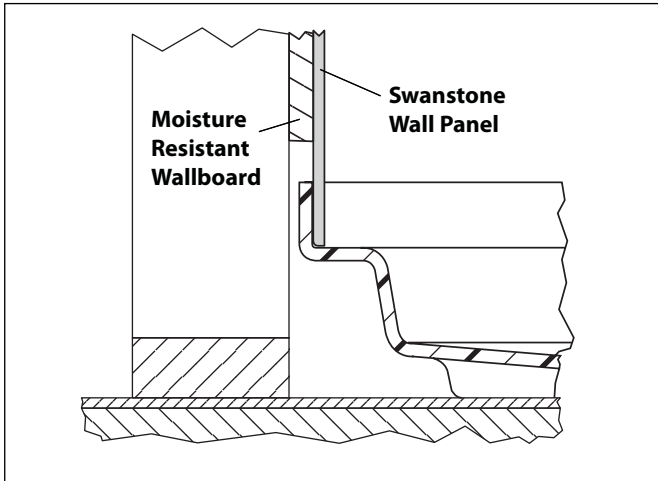


IMPORTANT NOTICE

To prevent possible water (wicking affect) damage to the wall, the wall board must have a 1/2 inch gap above the shower floor flange, as shown in the illustration below.



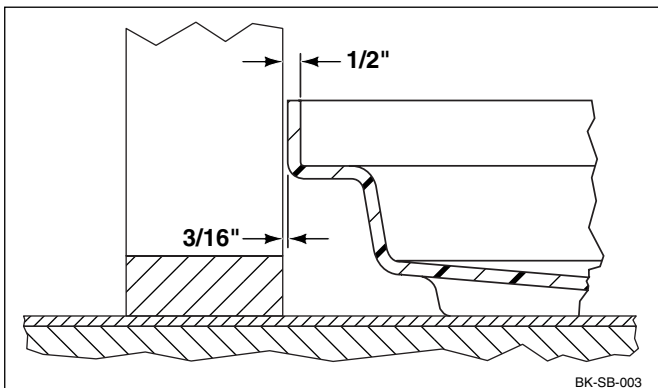
3. The Swanstone or alternate shower wall material will be installed over the 1/2" moisture-resistant wall board and shower floor flange, as shown in the illustration below.



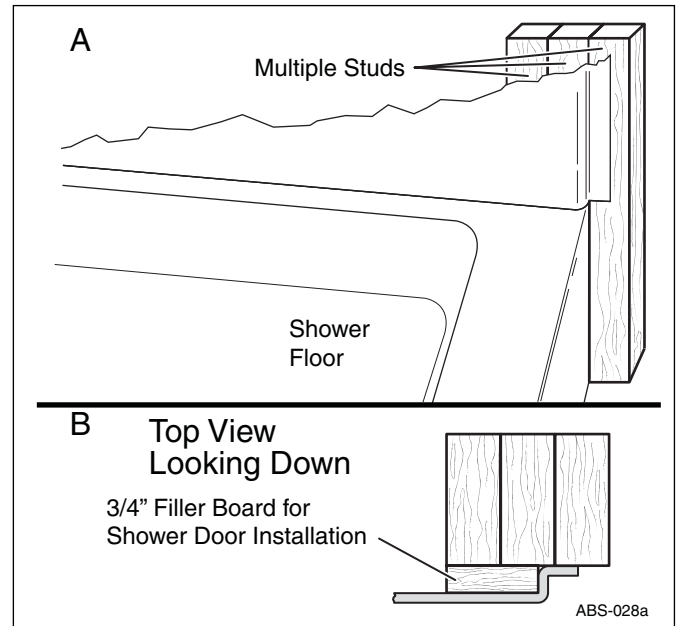
Example 2

If the shower floor is to be installed in conjunction with a Swan Corporation Alcove Wall Kit, the following procedures must be followed.

1. Install the shower floor following the appropriate instructions in the Standard Shower Floor Installation or Barrier-Free Shower Floor and Ramp Installation section in this manual. The illustration below shows the ideal shower floor flange to frame work gap of 3/16".



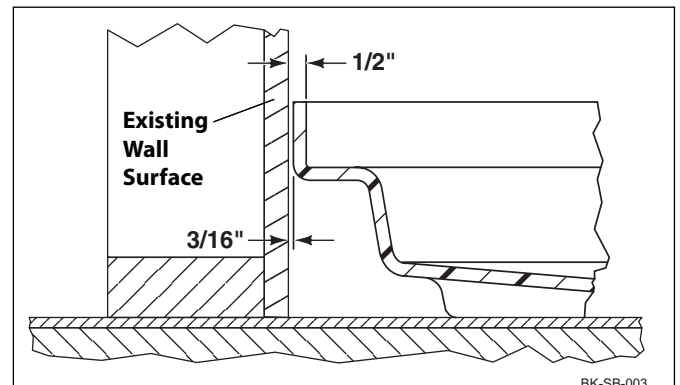
2. After shower floor installation is complete, refer to the alcove wall kit manual for more information on installing alcove wall kits. Follow those instructions to install the Swan Corporation Alcove Wall Kit directly to the stud wall framework.



Example 3

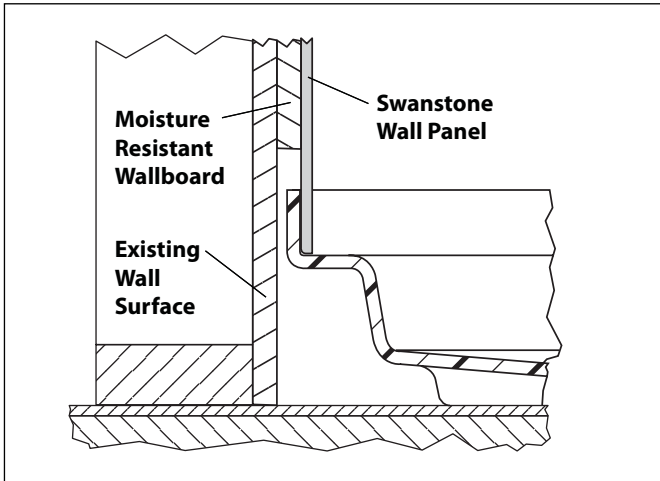
If the shower floor is to be installed in conjunction with existing moisture-resistant wall board, the following procedures must be followed.

1. Install the shower floor following the appropriate instructions in the Standard Shower Floor Installation or Barrier-Free Shower Floor and Ramp Installation section in this manual. The illustration below shows the ideal shower floor flange to existing wall surface gap of 3/16".



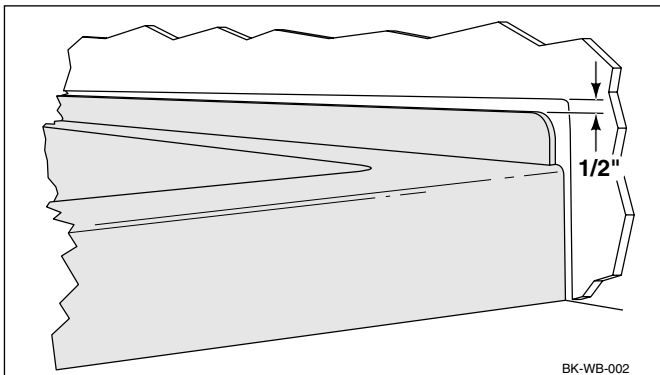
Installation Procedure

2. After the shower floor installation is complete, install 1/2" moisture-resistant wall board over the existing wall surface, as shown.
3. The Swanstone or alternate shower wall material will be installed over the new layer of 1/2" moisture-resistant wall board and the shower floor flange, as shown.



IMPORTANT NOTICE

To prevent possible water (wicking affect) damage to the wall, the wall board must have a 1/2 inch gap above the shower floor flange, as shown in the illustration below.

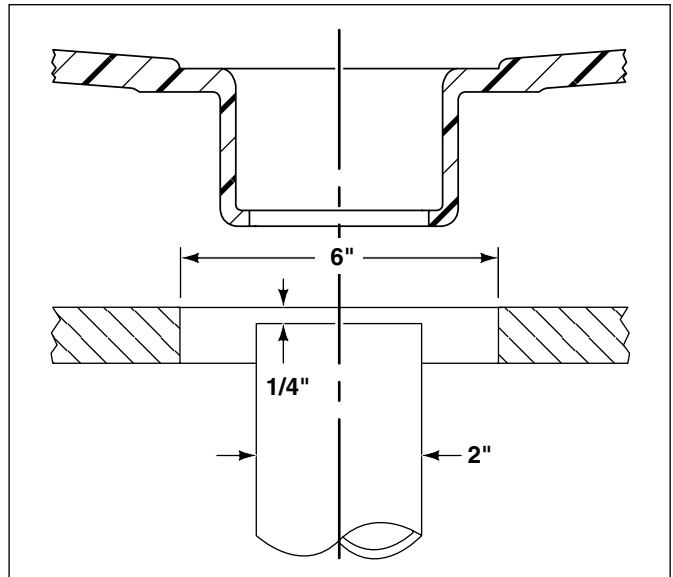


Drain Location

Using the Shower Floor and Drain Opening Rough-In Dimensions chart in this manual, make sure the drain hole is properly located. The recommended size of the hole in the floor for the drain pipe is approximately 6" in diameter.

The drain of the shower floor is designed for 2" cast-iron (no-hub) or plastic drain pipes.

1. Dry fit the shower floor to ensure a proper fit and correct alignment of the shower drain and the hole in the floor. The top of the drain pipe must be 1/4" below the floor level.



2. Temporarily remove the shower floor and proceed with the installation instructions.

Standard Shower Floor Installation

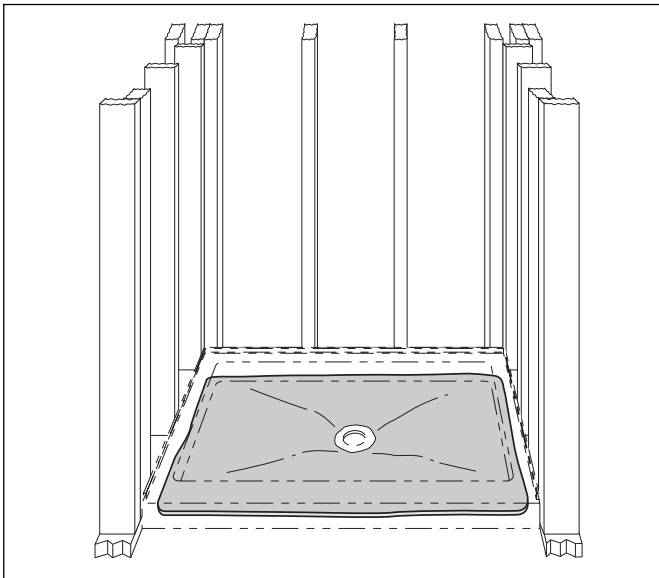
These instructions cover the installation of any square, rectangular, or neo-angle shower floor. The shower floor is designed to be installed directly on the subfloor and should rest loosely against the stud wall framework maintaining the recommended 3/16" gap.

Note: Barrier-free shower floor and ramp installation instructions are provided in a separate section in this manual.

IMPORTANT NOTICE

The shower floor must be set in a bed of mortar to properly hold it in place. Install the shower floor using a mortar mixture or an equivalent material, such as thinset.

1. Place up to a 1/2" thick layer of mortar/thinset on the floor. Mix enough material to cover the area under the shower floor. This will ensure complete contact and support by the existing subfloor, eliminating shower floor flex during normal use. Taper the mortar/thinset to 1/4" thick around the floor drain. Do not place the material closer than 2" to the edge of the shower floor or the floor drain opening.



2. Place the shower floor into the rough opening and firmly press it into the mortar/thinset. The exposed front bottom edge(s) of the shower floor should contact the subfloor.

Note: Make sure the side and back flanges of the shower floor are parallel with the framework, with an even gap (recommended 3/16") between the framework and the shower floor flanges.

! WARNING

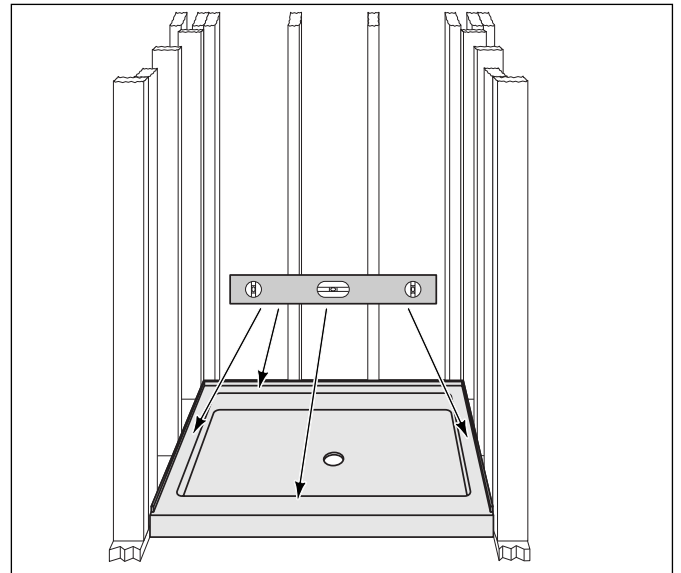


Do Not Use Nails

To prevent damage to the shower floor and possible water or other damage to floors, pipes, walls, or other portions of your building or home, do not nail or screw **through** the shower floor to secure it to the framework. Nails are not necessary to hold the shower floor in place, but if nails are used they must be installed **above** the shower flange and not through it. Refer to the specific instructions in this manual for the proper installation of these optional nails.

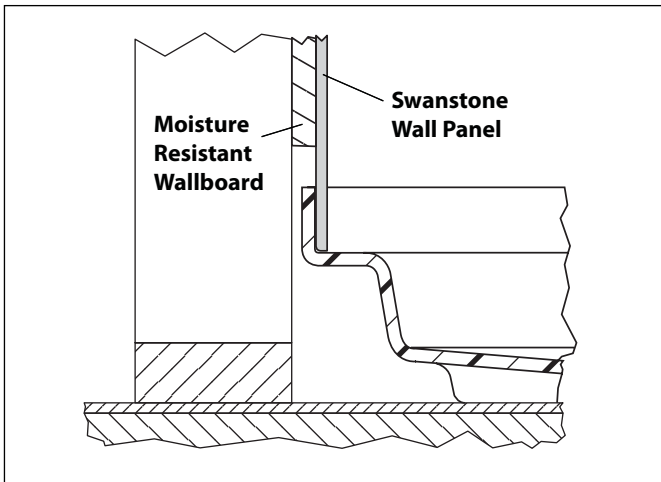
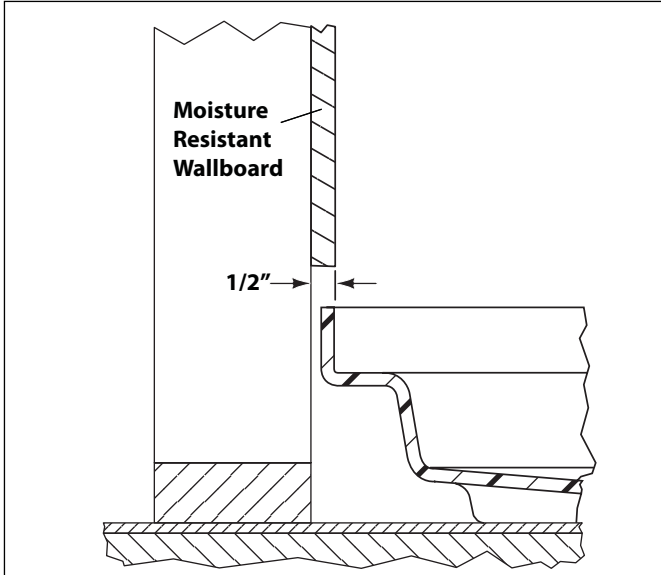
3. Level the shower floor in both directions, and allow the mortar/thinset to cure for 24 hours. Once cured, the mortar/thinset will prevent the shower floor from moving without the use of any mechanical fasteners.

Note: For optional, but not required, fastening of the shower floor to the framework by toe-nailing, refer to the Optional Shower Floor Toe-nailing Procedure section in this manual.



Installation Procedure

Note: The ideal installation results when the outside surface of the wall board and shower floor flange are flush, as shown in the illustration below. This dimension allows the Swan wall panels or alternate shower wall material, to rest against the lip of the shower floor once the moisture-resistant wall board is installed, as shown in the second illustration below.



4. Refer to Floor Drain Installation section in this manual to complete the shower floor installation procedure.

Barrier-Free Shower Floor and Ramp Installation

The barrier-free shower floor is designed to be installed directly on the subfloor and should fit in the rough opening with a recommended 3/16" gap between the shower floor and the framework.

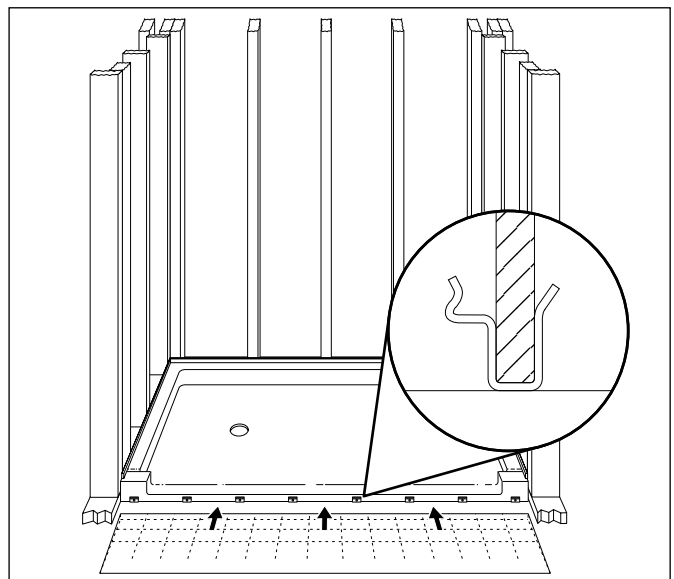
If the installation of the barrier-free shower floor requires the attachment of the barrier-free shower ramp, it is essential that the eight stainless steel clips, included with the ramp, be attached to the threshold of the barrier-free shower floor **before** final installation.

IMPORTANT NOTICE

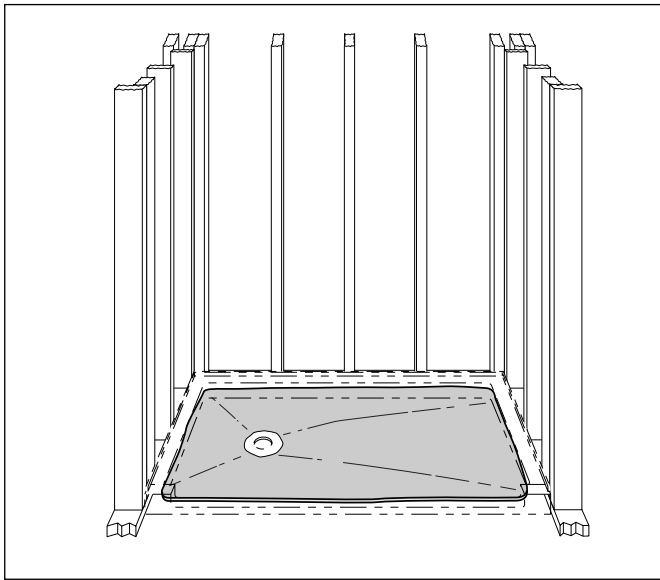
The shower floor must be set in a bed of mortar to properly hold it in place. Install the barrier-free shower floor and shower ramp using a mortar mixture or an equivalent material, such as thinset.

1. Attach each of the eight stainless steel clips to the underside of the shower floor threshold, positioned so they will be located between alternating structural ribs on the underside of the shower floor ramp.
2. Dry fit the shower floor to ensure the recommended 3/16" gap exists between the shower floor, the side wall framework, and the back wall framework.

Note: The bottom of the clips must contact the subfloor. If necessary, shim under the barrier-free shower floor for subfloor contact to prevent the clips from being dislodged.



- Place up to a 1/2" thick layer of mortar/thinset on the floor. This will ensure complete contact and support by the existing subfloor, eliminating shower floor flex during normal use. Taper the mortar/thinset to 1/4" thick around the floor drain. Mix enough material to cover the area under the shower floor. Do not place the material closer than 2" to the edge of the shower floor or the drain opening.



- With the stainless steel clips installed on the threshold, place the barrier-free shower floor into the framework and firmly press it into the mortar/thinset. The outer perimeter of the shower floor should contact the subfloor.

Note: Make sure the side and back flanges of the shower floor are parallel with the framework, with an even gap (recommended 3/16") between the framework and the shower floor flanges.

! WARNING

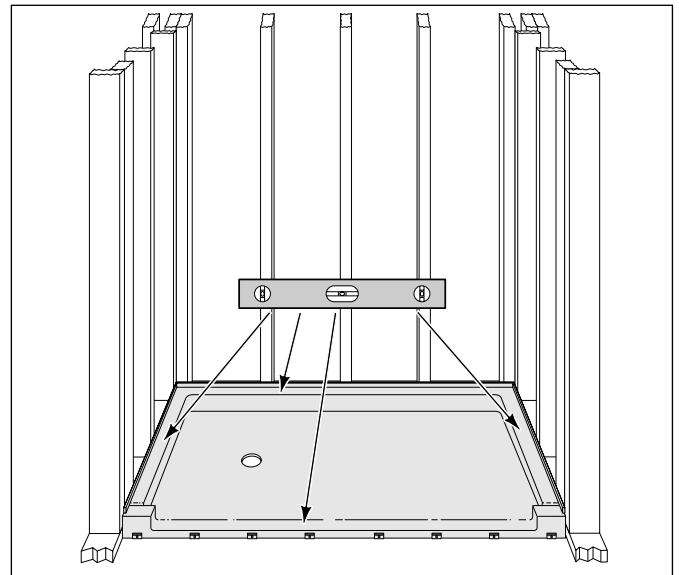


Do Not Use Nails

To prevent damage to the shower floor and possible water or other damage to floors, pipes, walls, or other portions of your building or home, do not nail or screw **through** the shower floor to secure it to the framework. Nails are not necessary to hold the shower floor in place, but if nails are used they must be installed **above** the shower flange and not through it. Refer to the specific instructions in this manual for the proper installation of these optional nails.

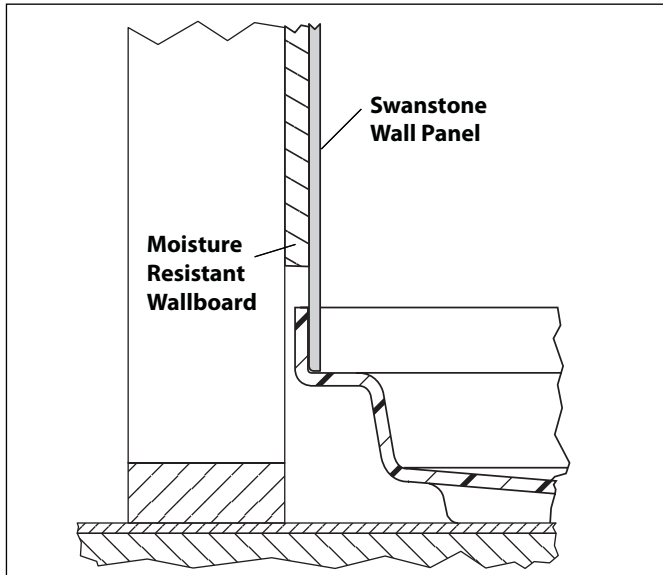
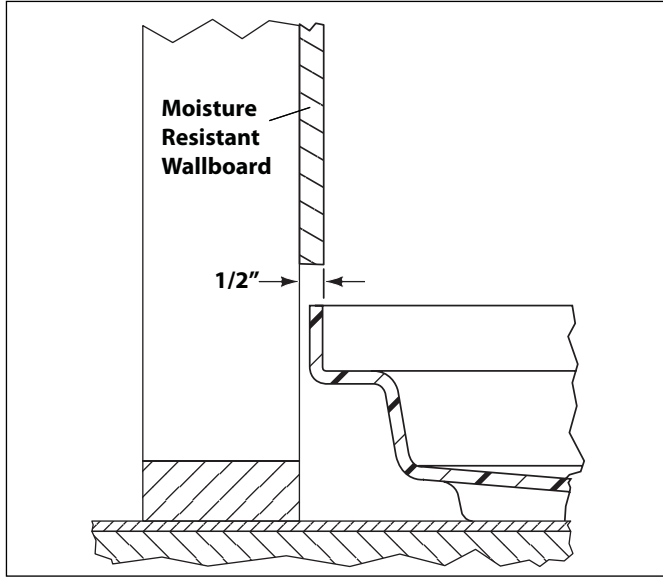
- Level the barrier-free shower floor in both directions, and allow the mortar/thinset to cure for 24 hours. Once cured, the mortar/thinset will prevent the shower floor from moving without the use of any mechanical fasteners.

Note: For optional, but not required, fastening of the shower floor to the framework by toe-nailing, refer to the Optional Shower Floor Toe-nailing Procedure section in this manual.

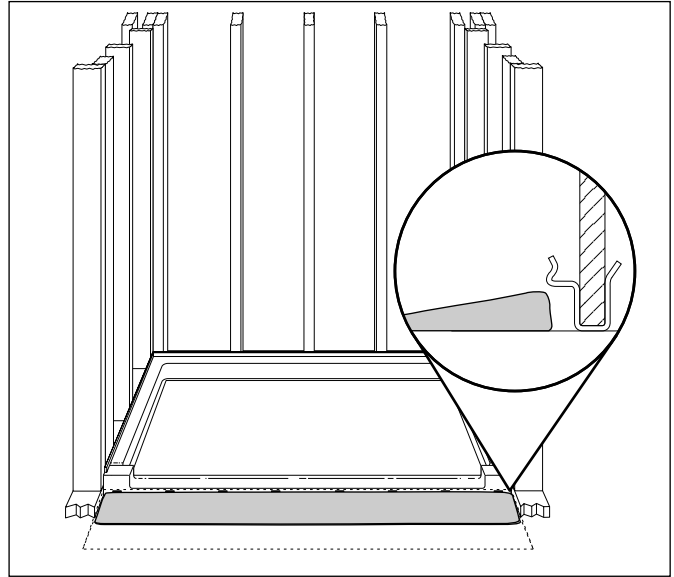


Installation Procedure

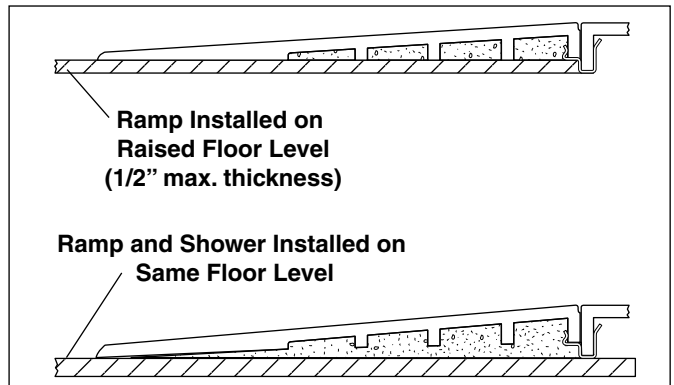
Note: The ideal installation results when the outside surface of the wall board and shower floor flange are flush, as shown in the illustration below. This dimension allows the Swan wall panels or alternate shower wall material, to rest against the lip of the shower floor once the moisture-resistant wall board is installed, as shown in the second illustration below.



6. Place a layer of mortar/thinset on the floor. This will ensure complete contact and support by the existing floor surface, eliminating shower floor ramp flex during normal use. Taper the mortar/thinset toward the front (thin) edge of the shower ramp. Do not place the mortar/thinset material close to the front edge of the shower ramp.

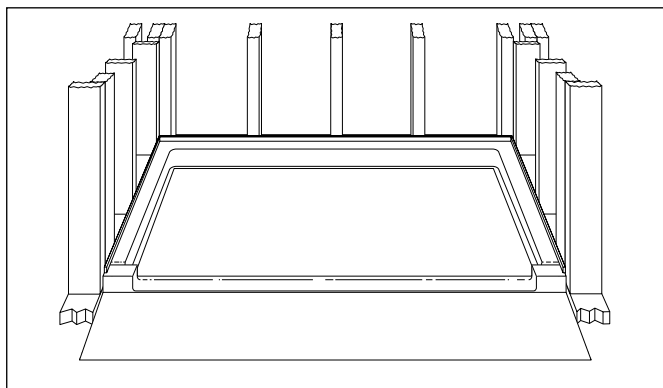


Note: The barrier-free shower floor ramp can be installed on the same floor surface as the shower floor or can be installed on raised floor surface (up to 1/2" thick), as shown below.



7. Firmly press the barrier-free shower floor ramp into the mortar/thinset. The back (tall) edge of the shower ramp must engage all eight of the stainless steel clips to prevent the shower ramp from moving. The front (thin) edge of the shower floor ramp must completely contact the floor surface.

Note: Clean up any excess mortar/thinset and allow the mortar/thinset under the barrier-free shower floor ramp to cure for 24 hours.



8. Apply a bead of 100% silicone sealant to seal the joint between the shower floor and shower floor ramp.

Note: If the shower walls extend past the shower floor, apply a bead of silicone sealant at the joint where the walls and shower floor ramp meet.

Floor Drain Installation

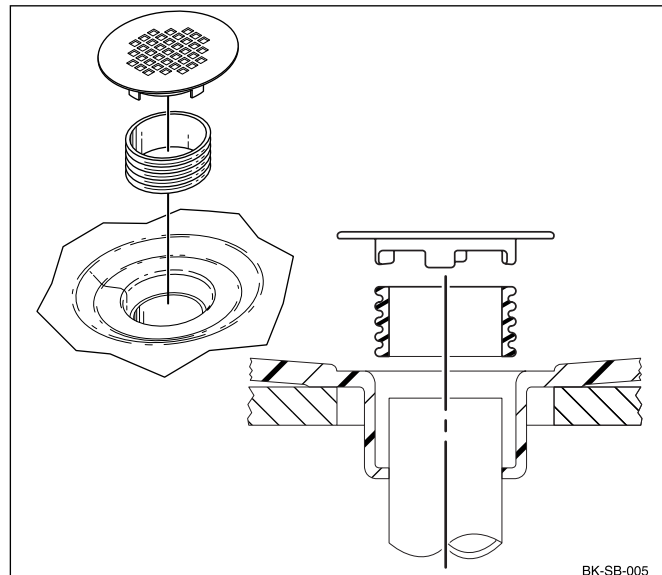
IMPORTANT NOTICE

If no-hub, cast-iron drain pipe is used, make sure the end of the pipe is free of nicks, cuts, or burrs. To ensure a proper seal, lightly sand the outside of the drain pipe with emery paper or "0000" steel wool.

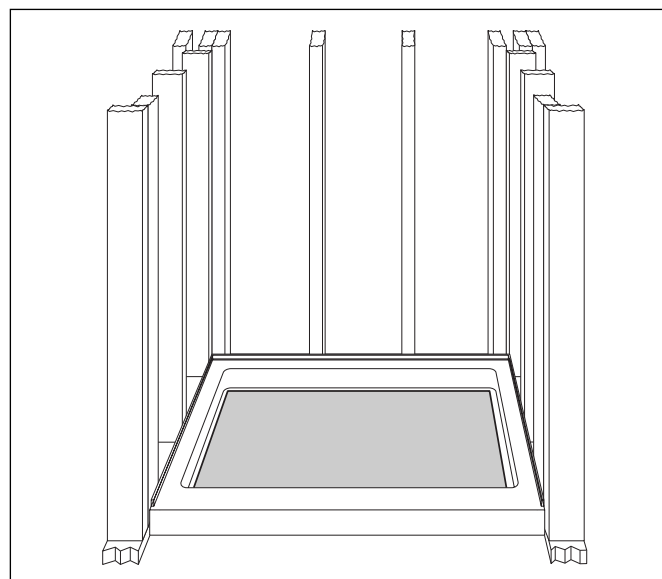
1. Lubricate both caulk seal gasket (1) and drain pipe (2) with either liquid hand soap or dishwashing liquid, and slide the caulk seal gasket over the drain pipe.

2. Complete the installation by snapping strainer plates (3) into place. With metal strainers, it may be necessary to bend the strainer tines slightly outward.

Note: If you need to pry the strainer up from the drain, you have a proper fit.



3. Place cardboard, or similar scratch resistant material, in the bottom of the shower floor to prevent possible damage during further construction.



The shower floor/floor installation is now complete. DO NOT discard these installation instructions. PLEASE LEAVE THEM WITH THE HOMEOWNER.

Optional Shower Floor Toe-nailing Procedure

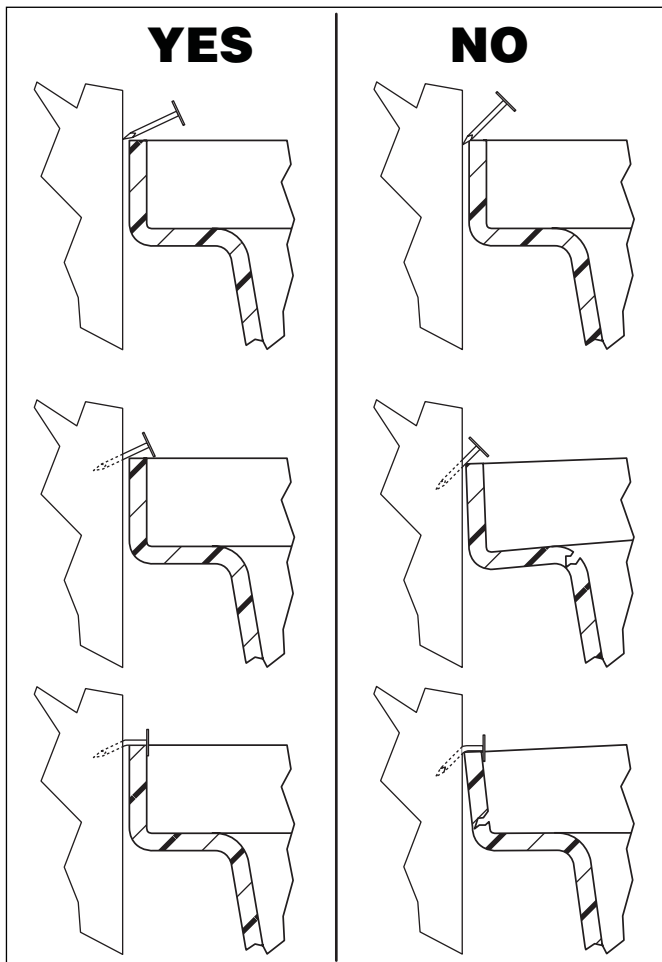
If desired, after the shower floor has been set into a mortar base and leveled, follow this optional procedure for toe-nailing the shower floor to the framework.

WARNING



The shower floor must be set in a bed of mortar to properly hold it in place. Nails may also be added, but are not necessary to hold the shower floor in place. To prevent damage to the shower floor and possible water or other damage to floors, pipes, walls, or other portions of your building or home, do not nail or screw **through** any part of the shower floor. If nails are used, they must be installed **above** the shower floor flange and not through it.

1. Drive large head (roofing) nails into the studs **just above** the top of the shower floor flange, at a slight downward angle until the head is flush with the edge of the shower floor lip.
2. Tap the head of the nail downward so it is just above the flange. **Do not** put side or downward pressure against the flange.



Care and Cleaning

Swan products are stain and abrasion resistant; however, the finish requires reasonable care.

IMPORTANT NOTICE

Because cleaning products change over time, always check the manufacturer's instructions to make sure it is compatible with plastic. **DO NOT** use a cleaner if the label indicates it should not be used on plastics. **DO NOT** use spray-on cleaners that require daily use without immediately rinsing with water to stop the chemical cleaning reaction because damage will result and void the warranty.

Day-To-Day Cleanup

Simply wipe the surfaces with a clean towel to remove watermarks and residues. All Swan products can be cleaned with warm water, a soft cloth, and normal household detergents or cleansers, such as Fantastic, Formula 409, Clorox Clean-up, Handy Andy, Mr. Clean, or Lestoil. Always rinse off cleaners within five minutes of application.

If necessary, use an abrasive cleaner such as Ajax or Comet with a nylon brush or pad to remove build up on the shower floor pebble surface. **Do Not** use steel wool or a wire brush. This will damage the surface.

Caulking Joints

If silicone caulking was applied after installation of the wall panels or tile, inspect the caulking joints monthly for damage or any signs of separation from the mating surface. Cracks in the caulking will allow water to leak into the surrounding surfaces. **Reapply caulking to any joint showing signs of wear or cracking.** Failure to inspect and repair caulking joints will void the warranty.

Surface Repair

Light Scratches

Use 400 grit sandpaper to remove light scratches in the surface.

Deep Scratches or Gouges

For deeper scratches or gouges, use 220 or 320 grit sandpaper. A "Scotchbright pad" can be used to blend the repair into the surrounding area.

LIMITED WARRANTY FOR RESIDENTIAL APPLICATIONS

If a Swan product covered by this warranty is found to be defective in materials or workmanship, after inspection by an authorized Swan Corporation representative, we will repair, or at our option, exchange the product for a similar model. This warranty extends for a designated period of time, so long as it remains in use in its original place of installation.

This warranty covers products installed in accordance with the Swan Corporation's installation instructions, used as recommended, and not damaged due to misuse, abuse, or improper installation. It does not apply to any seams or changes made to the product by professional tradesmen or fabricators.

The warranty applies only to the original purchaser and installation of these products in residential applications. It does not apply to commercial applications.

The Swan Corporation's option to repair or exchange the products under this warranty does not cover any labor or other costs of removal or installation, nor shall the Swan Corporation be responsible for any other incidental or consequential damages attributable to a product defect or to the repair or exchange of a defective product.

Limited Lifetime Warranty

Swanstone Shower Floors

LIMITED WARRANTY FOR COMMERCIAL APPLICATIONS

If a Swan product covered by this warranty is found to be defective in materials or workmanship, after inspection by an authorized Swan Corporation representative, we will repair, or at our option, exchange the product for a similar model. This warranty extends for a designated period of time, so long as it remains in use in its original place of installation.

This warranty covers only products installed in accordance with the Swan Corporation's installation instructions, used as recommended, and not damaged due to misuse, abuse, or improper installation. It does not apply to any seams or changes made to the product by professional tradesmen or fabricators.

The warranty applies only to the original purchaser and installation of these products in commercial applications.

The Swan Corporation's option to repair or exchange the products under this warranty does not cover any labor or other costs of removal or installation, nor shall the Swan Corporation be responsible for any other incidental or consequential damages attributable to a product defect or to the repair or exchange of a defective product.

10-Year Limited Warranty

Swanstone Shower Floors

Save these Installation Instructions for future reference. They provide important information on cleaning, maintenance, and surface repair of the Swan Wall Systems and Panels.

