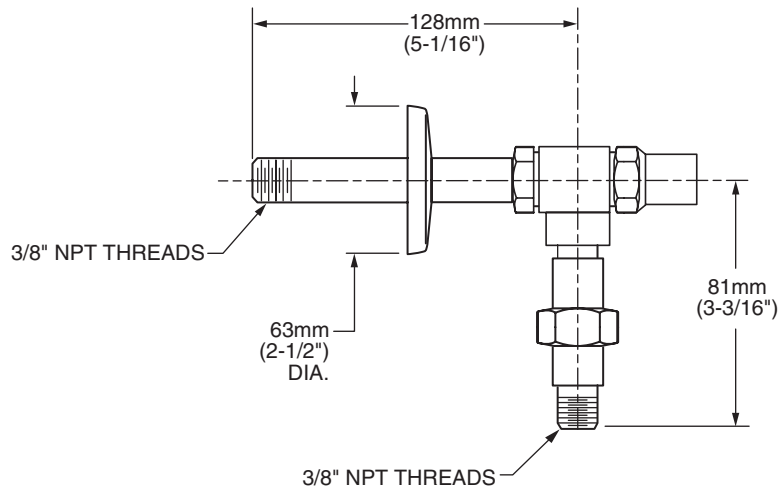


**MODEL NUMBER:**

- ❑ **7544.200 Wall Supply - 3/8"**  
With screwdriver stop. For use on inlet of 7679.112 pedal valve.



**GENERAL DESCRIPTION:**

Brass wall supply with screwdriver stop, union, 3/8" NPT nipples. Wall mounted. Chrome finish. Can be used on inlet of pedal valve 7679.112.

**PRODUCT FEATURES:**

**Brass Construction:** Durable - excellent in high use applications.

**Brass Supply Valve:** Brass screwdriver stop valve. Wall mounted.

**Polished Chrome Finish:** Excellent in commercial applications.

**SUGGESTED SPECIFICATION**

Wall mounted brass supply valve shall feature a screwdriver stop, union and nipples. Shall feature Polished Chrome finish. Fitting shall be American Standard Model# 7544.200.

*American Standard*

Style That Works Better

---