

*American Standard*

# Installation Instructions

1640.305.XXX

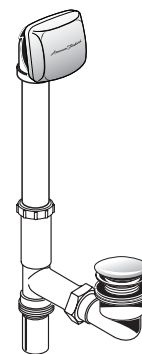
## DEEP SOAK™ BATH DRAIN

BATH WASTE AND OVERFLOW  
WITH TOE TAPPER DRAIN PLUG

*Note: THIS DRAIN IS INTENDED FOR USE WITH BATH DRAINS ONLY!*

*Thank you for selecting American-Standard...the benchmark of fine quality for over 100 years.*

*To ensure that your installation proceeds smoothly—please read these instructions carefully before you begin.*

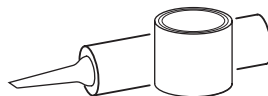


754096-100 Rev. A

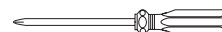
### RECOMMENDED TOOLS



Channel Locks

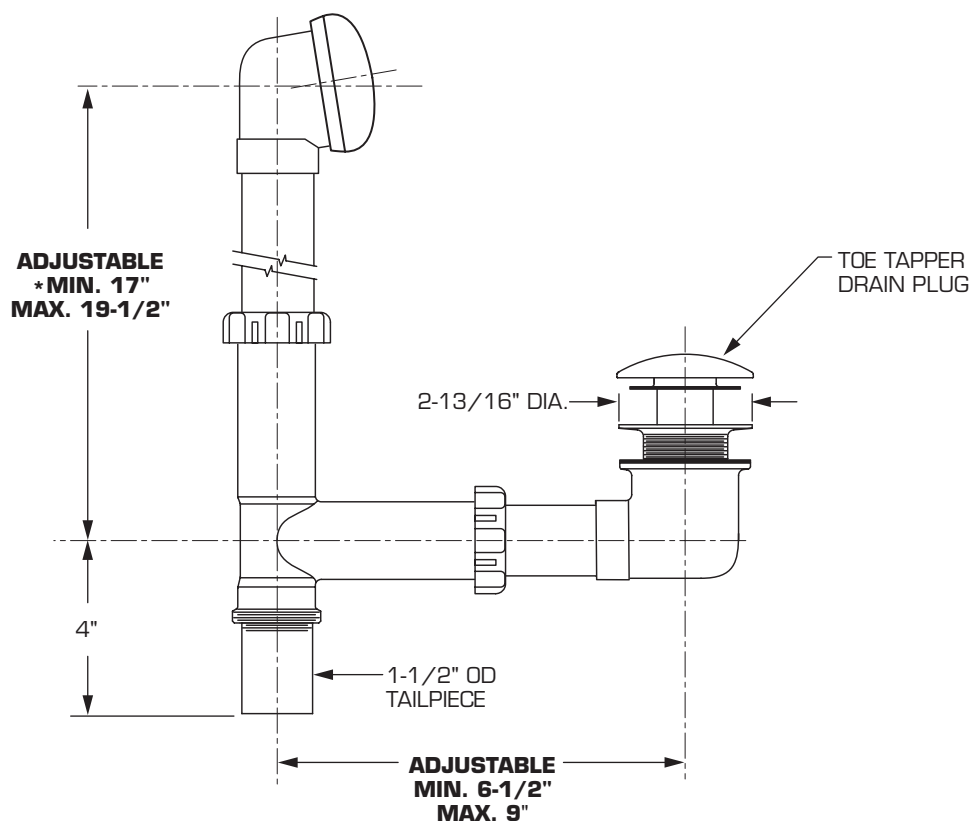


Plumbers' Putty or Caulking



Phillips Screwdriver

### ROUGH-IN DIMENSIONS

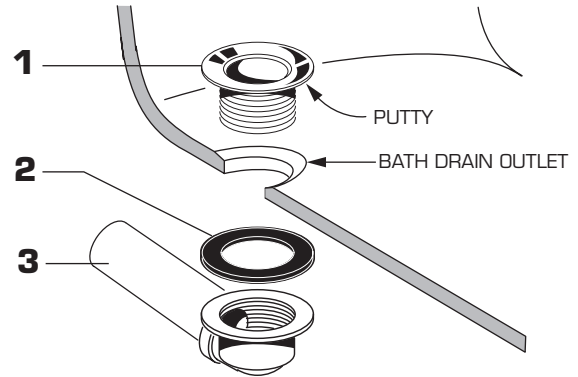


\* NOTE: A smaller dimension can be accommodated by cutting pipe.

# 1 INSTALL DRAIN PLUG AND ELL (STANDARD AND OVER-THE-RIM DRAINS)

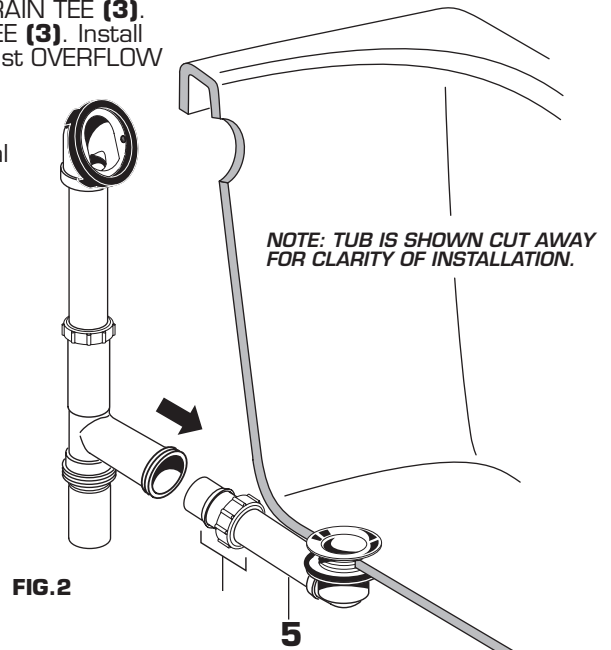
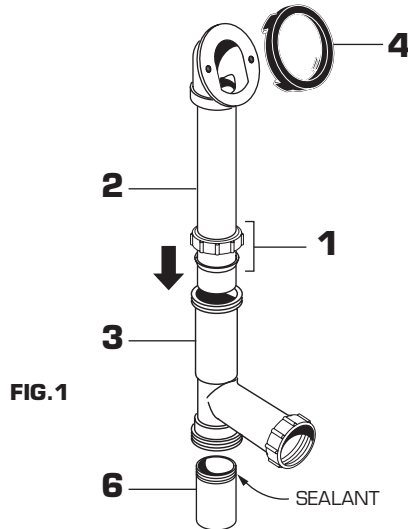
- Apply putty to underside of DRAIN PLUG (1) and drop into drain outlet.
- Slip RUBBER WASHER (2) on from below and thread DRAIN PLUG (1) into DRAIN ELL ASSEMBLY (3).

*NOTE: TUB IS SHOWN CUT AWAY FOR CLARITY OF INSTALLATION.*



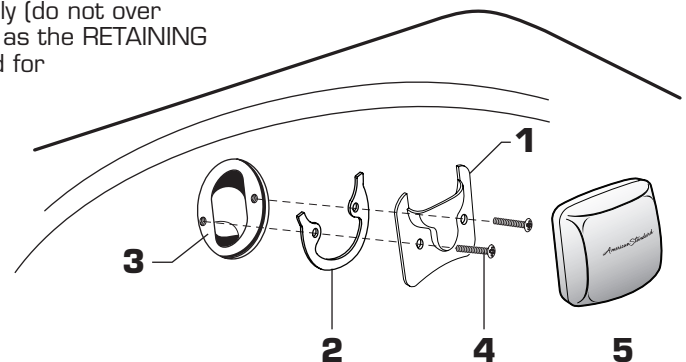
# 2 INSTALL OVERFLOW ASSEMBLY AND DRAIN TEE (STANDARD DRAIN)

- Loosen SLIP JOINT NUT & SEAL (1) and install onto OVERFLOW TUBE (2). Install OVERFLOW TUBE ASSEMBLY (2) into the appropriate leg of the DRAIN TEE (3). Apply sealant to threads of TAILPIECE (6) and thread into DRAIN TEE (3). Install OVERFLOW GASKET (4) to OVERFLOW TUBE ASSEMBLY (2). (Adjust OVERFLOW GASKET (4) to contour of tub. FIG. 1.
- Loosen SLIP JOINT NUT & SEAL (5) and install onto DRAIN ELL ASSEMBLY (6). Install DRAIN ELL ASSEMBLY (6) into the horizontal leg of the DRAIN TEE (3). FIG. 2.



# 3 SECURE OVERFLOW ASSEMBLY TO TUB (STANDARD DRAIN)

- Align the holes in the RETAINING PLATE (1) with those in the GASKET (2) and OVERFLOW FLANGE (3). Install SCREWS (4), tighten snugly (do not over tighten). The overflow gasket (behind tub wall) will begin to seal as the RETAINING PLATE (1) becomes tighter. The overflow gasket can be rotated for desired fit.
- Align the ESCUTCHEON (5) with the RETAINING PLATE (1) and push onto RETAINING PLATE (1) until the ESCUTCHEON (5) snaps into place.
- When you are satisfied with the overall fit of the drain, go back and tighten all joints to make a water tight seal.

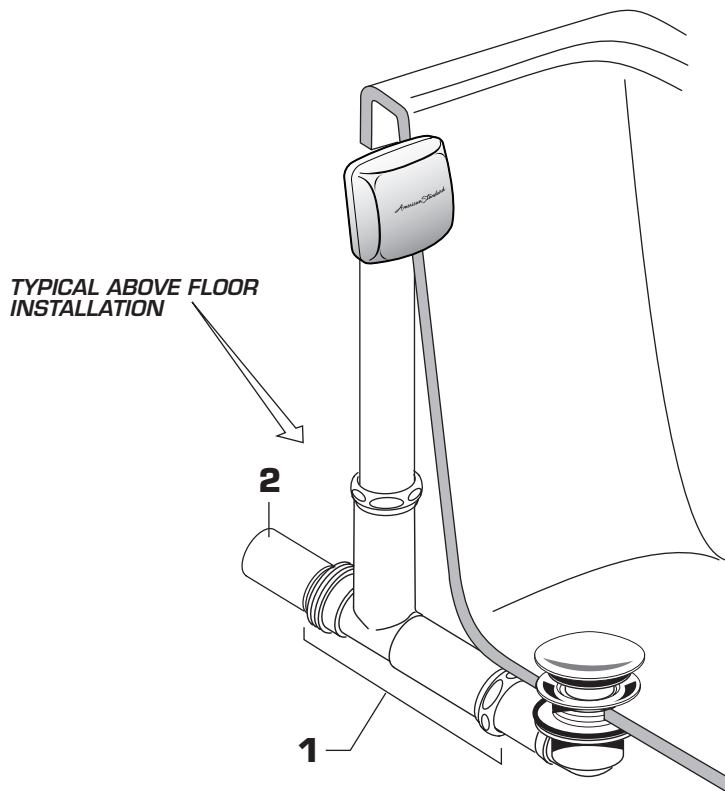
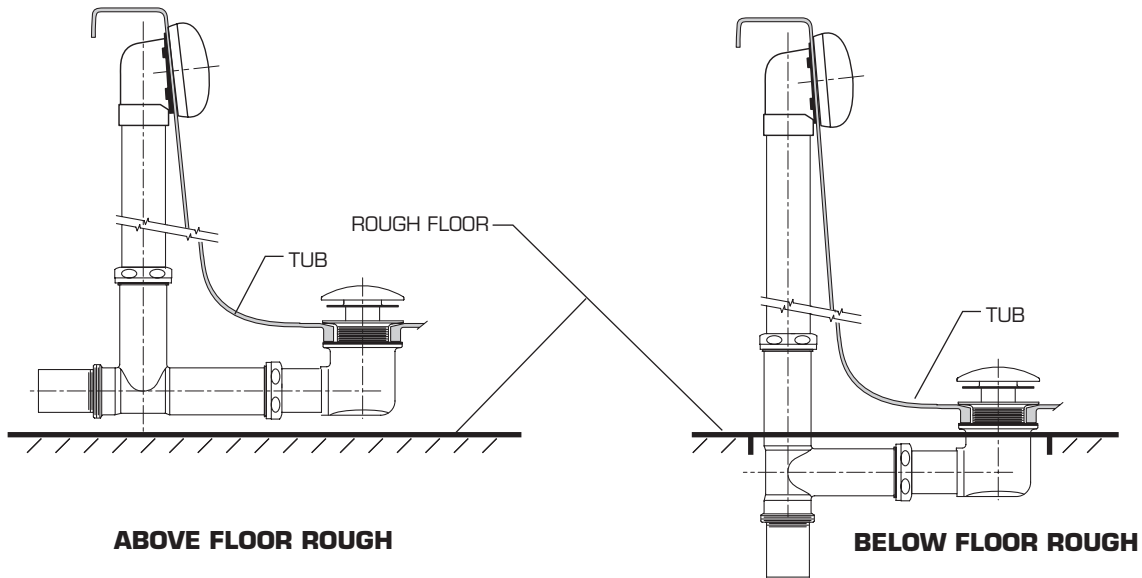


# 4

## ABOVE FLOOR OUTLET INSTALLATION (STANDARD DRAIN)

*Note: Waste outlet can be installed either above the floor or below floor. Fig. 1.*

- For above floor drain outlet, Rotate DRAIN TEE ASSEMBLY **(1)** 90 degrees so TAILPIECE **(2)** faces out the back from tub as shown.



**NOTE: TUB IS SHOWN CUT AWAY FOR CLARITY OF INSTALLATION.**

### CARE INSTRUCTIONS:

**DO: SIMPLY RINSE THE PRODUCT CLEAN WITH CLEAR WATER. DRY WITH A SOFT COTTON FLANNEL CLOTH.**

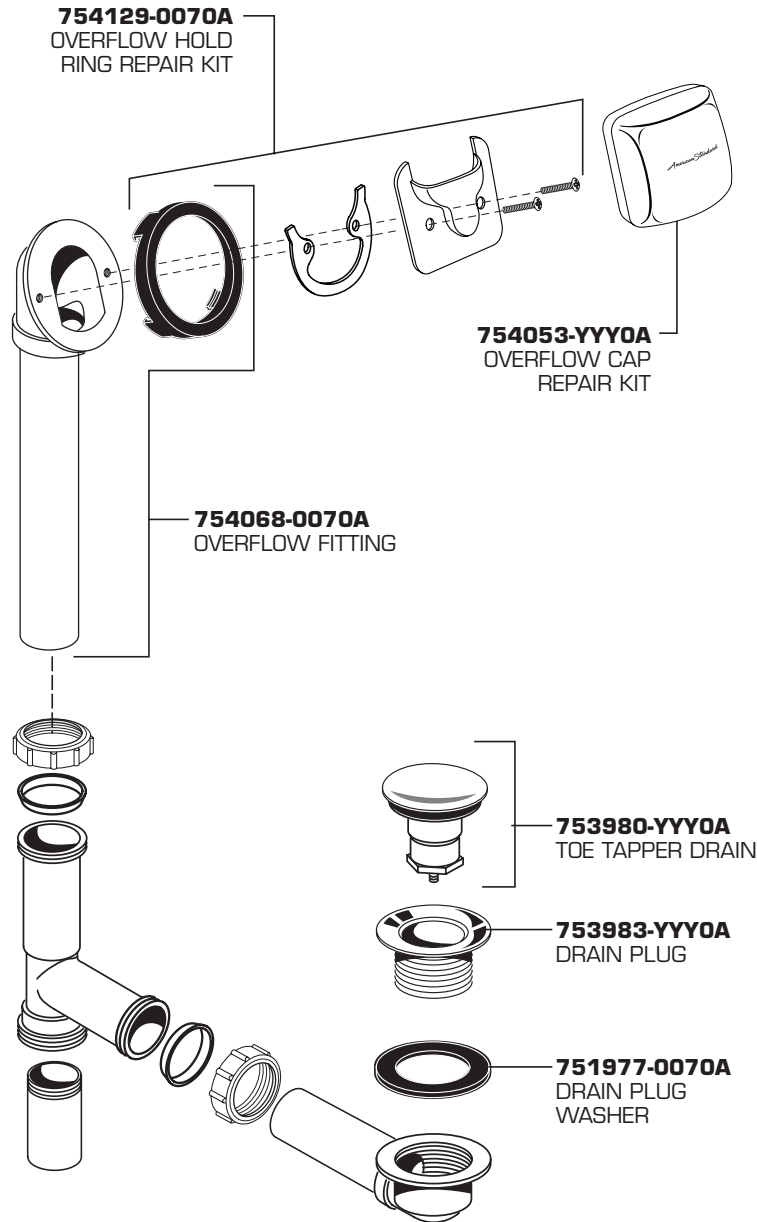
**DO NOT: DO NOT CLEAN THE PRODUCT WITH SOAPS, ACID, POLISH, ABRASIVES, HARSH CLEANERS, OR A CLOTH WITH A COARSE SURFACE.**

**DEEP SOAK™ BATH DRAIN**

**BATH WASTE AND OVERFLOW  
WITH TOE TAPPER DRAIN PLUG**

PRODUCT NUMBER

**1640.305.XXX**



Replace the "YYY" with appropriate finish code

CHROME	002
ARCTIC	011
WHITE	020
BLACKEND BRONZE	068
LINEN	222
POL. BRASS	099
BRUSHED SATIN	295



HOT LINE FOR HELP  
For toll-free information and answers to your questions, call:  
1 (800) 442-1902  
Weekdays 8:00 a.m. to 6:00 p.m. EST  
IN CANADA 1-800-387-0369 (TORONTO 1-905-306-1093)  
Weekdays 8:00 a.m. to 7:00 p.m. EST  
IN MEXICO 01-800-839-12-00

Product names listed herein are trademarks of American Standard Inc.  
© American Standard Inc. 2007