

PF1400T Series

Dual Flush Two Piece Toilet




Product Features

- Choose either 1.6 or 1.1 gallons per flush
- HET, High Efficiency Toilet
- Two piece vitreous china
- 2" fully glazed trapway
- 8" x 9" water surface
- Anti-siphon fill valve
- Gravity fed, Box rim
- Close coupled tank with cover
- Quick connect, 2 bolt tank to bowl installation
- 2" Flush valve
- Comes standard with a color matching trip lever
- Sanitary bar on all bowls
- Seat and supply not included
- Available in 10" or 12" RI
- Available with RH trip lever
- Available with insulated tank
- Available round front, elongated, and ADA
- EPA WaterSense Certified
- Meets ANSI ASME A112.19.14-2006 and ASME A112.19.2M



PF1401T/PF9312

Model Numbers

* PF1400TWH	1.1-1.6 12 RI RF UNIV BOWL WHIT
* PF1401TWH	1.1-1.6 12 RI EL UNIV BOWL WHIT
 PF1403TWH	1.1-1.6 12 RI ADA UNIV BOWL WHIT
PF9312WH	Tank HET Dual Flush 1.1/1.6 gpf, 12" Rough-in, White
PF9310WH	Tank HET Dual Flush 1.1/1.6 gpf, 10" Rough-in, White
PF9312RWH	Tank HET Dual Flush 1.1/1.6 gpf, Right Hand, White
PF9312UWH	Tank HET Dual Flush 1.1/1.6 gpf, Insulated Tank, White

* = complies with CSA B651

 = complies with ADA & CSA B651

Available Parts

PF9312FLPK	Fill valve assembly
PF9312FVPK	Dual flush tower assembly (includes white trip lever)
PFTGPK	Tank gasket w/bolts
PF5112LIDWH	Tank lid white

Detailed Use Instructions

The Dual Flush enables a 1.1 gallon flush by pushing the flush lever back for liquid or light waste. The 1.6 gallon flush can be utilized by pulling forward on the trip lever providing a strong flushing action for bulk or solid waste.

Warranty and Codes

This product comes complete with installation, operating, care and maintenance instructions. All PROFLO fixtures carry a 1- year limited warranty. In an effort to continually improve our products, we will make design changes from time to time. We reserve the right to ship newly designed product to fill any order unless we agree in writing to do otherwise.



Distributed Exclusively by Ferguson and Wolseley Canada

PF1400T Series

Dual Flush Two Piece Toilet

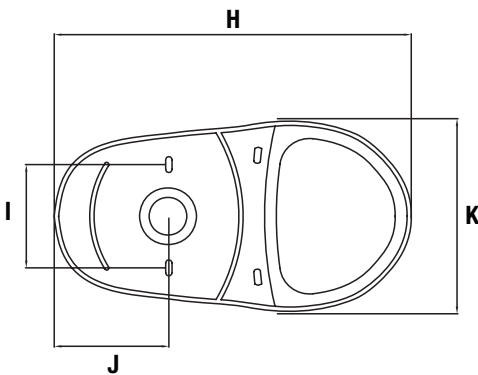


Certifications

Meets strict flushing performance guidelines established by the EPA (Environmental Protection Agency) WaterSense program. Leadership in Energy and Environmental Design (LEED) Compliant. Los Angeles Department of Water and Power (LADWP) Compliant.

	PF9310 /1400T	PF9310 /1401T	PF9310 /1403T
A	26-1/2"	28-1/2"	28-1/2"
B	16-1/2"	18-1/2"	18-1/2"
C	15"	15"	17"
D	29-3/4"	29-3/4"	31-3/4"
E	6-1/4"	6-1/4"	6-1/4"
F	10"	10"	10"
G	17-1/2"	17-1/2"	17-1/2"

	PF9312 /1400T	PF9312 /1401T	PF9312 /1403T
A	28-1/2"	30-1/2"	30-1/2"
B	16-1/2"	18-1/2"	18-1/2"
C	15"	15"	17"
D	29-3/4"	29-3/4"	31-3/4"
E	8-1/2"	8-1/2"	8-1/2"
F	12"	12"	12"
G	15-3/4"	15-3/4"	15-3/4"



Footprint

	RF	EL	ADA
	PF1400T	PF1401T	PF1403T
H	18-1/2"	18-1/2"	18-1/2"
I	6"	6"	6"
J	6-1/8"	6-1/2"	6-1/2"
K	9"	9"	9"

