

*** For seat installation, see instructions included with seat.**

⚠ WARNING:
Overtightening of water supply line nuts could result in breakage and potential flooding. If the connection leaks after hand tightening, replace the supply line. Do not use any type of sealant on the water supply connection.

⚠ Use of plumber's putty, pipe dope, or any other type of sealant will void the warranty.

11

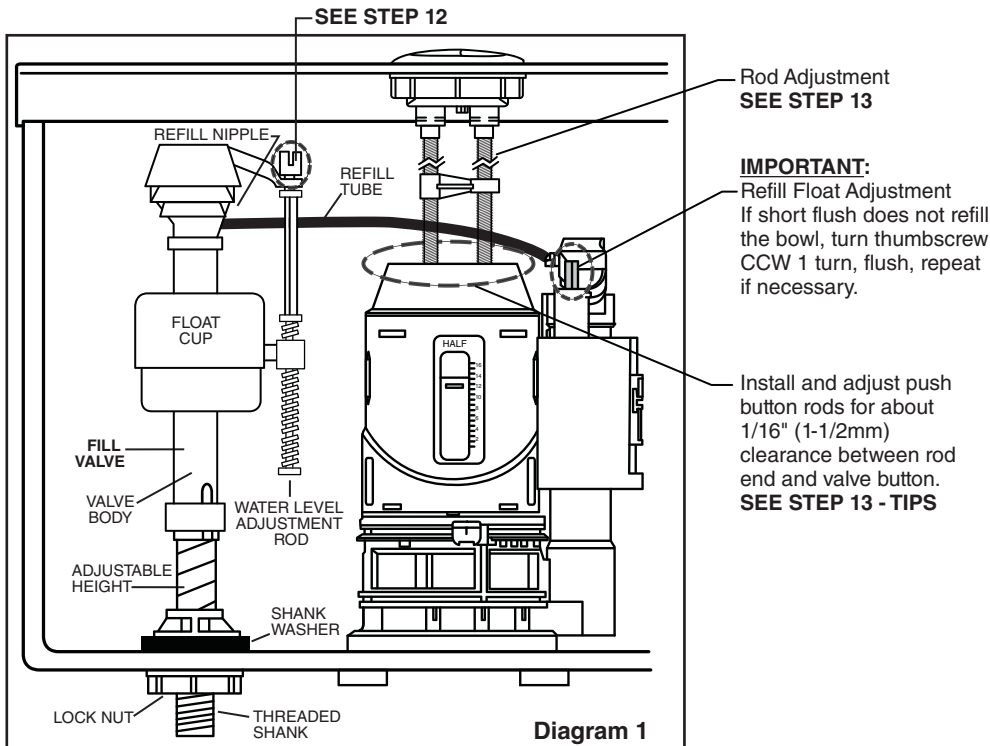
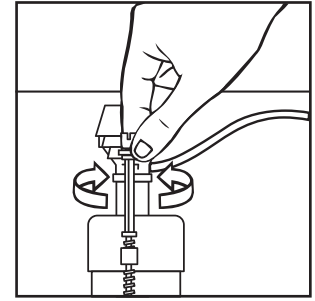


Diagram 1

12



Turn on water supply. Submerge the FLOAT CUP under the water for 30 seconds. Adjust the water to desired level by turning WATER LEVEL ADJUSTMENT ROD and moving FLOAT CUP up or down.

Rod Adjustment
SEE STEP 13

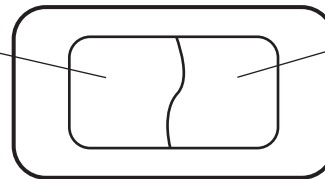
IMPORTANT:
Refill Float Adjustment
If short flush does not refill the bowl, turn thumbscrew CCW 1 turn, flush, repeat if necessary.

Install and adjust push button rods for about 1/16" (1-1/2mm) clearance between rod end and valve button.
SEE STEP 13 - TIPS

13 FLUSH PUSH BUTTONS

- The large flush button should line up over the white actuator on the flush tower in the tank.
- The small flush button should line up over the gray actuator on the flush tower in the tank.
- Pressing both buttons at once will result in a short flush.

LARGE FLUSH BUTTON FOR SOLID WASTE
1.6 gal/flush
6 Liter/flush

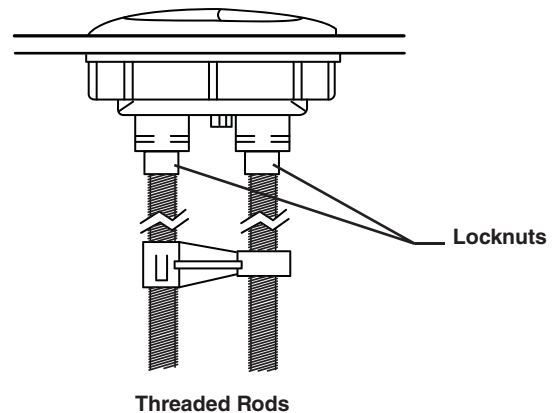


SMALL FLUSH BUTTON FOR LIQUID WASTE
1.1 gal/flush
4.1 Liter/flush

TIPS:

With the lid removed, directly press the flush button in the tank to confirm that the toilet is working properly. If not, follow troubleshooting guide.

1. Install Threaded Rods into holes in bottom of push buttons approximately 1/2" (12mm).
2. Lightly snug Locking Nut.
3. Place Lid on Tank.
4. Push Button to test flush. If more stroke is needed, loosen Locknut and turn Threaded Rod counterclockwise one (1) turn.
5. Replace Lid. Repeat until flush action is achieved.
6. If Valve stays open, turn Threaded Rod clockwise one (1) turn and lightly snug Locknut.

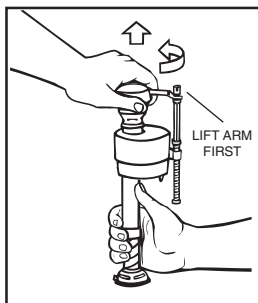


14 CARE AND CLEANING

When cleaning your toilet, wash it with mild, soapy water, rinse thoroughly with clear water and dry with a soft cloth. Avoid detergents, disinfectants, or cleaning products in aerosol cans. NEVER use abrasive scouring powders or abrasive pads on your toilet seat. Some bathroom chemicals and cosmetics may damage the seat's finish.

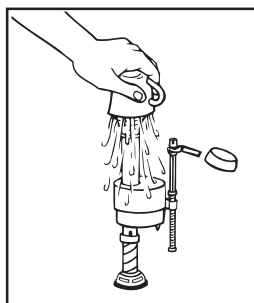
⚠ WARNING: Do not use in-tank cleaners. Products containing chlorine (calcium hypochlorite) can seriously damage fittings in the tank. This damage can cause leakage and property damage.
American Standard shall not be responsible or liable for any tank fitting damage caused by the use of cleaners containing chlorine (calcium hypochlorite).

NOTE: Pictures are representative and may not exactly depict the flush valve.

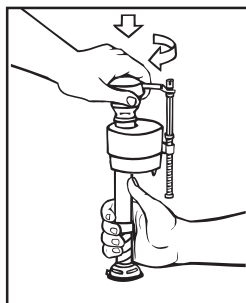


IMPORTANT: Always clear sand and rust from system.

• Make sure water supply is off. Remove valve TOP by lifting arm and rotating top and arm 1/8 turn counterclockwise, pressing down slightly on cap.



• While holding a container over the uncapped VALVE to prevent splashing, turn water supply on and off a few times. Leave water supply off.



• Replace TOP by engaging lugs and rotating 1/8 turn clockwise. MAKE CERTAIN TIP IS TURNED TO THE LOCKED POSITION. VALVE MAY NOT TURN ON IF TOP IS NOT FULLY TURNED TO THE LOCKED POSITION.

Always use quality Fluidmaster repair parts when maintaining your Fluidmaster products. Fluidmaster shall not be responsible or liable for any damages caused by products used with Fluidmaster valves that were not manufactured by Fluidmaster, Inc.

TROUBLESHOOTING

IF FILL VALVE SHUTS OFF BUT CONTINUES TO LEAK SLOWLY, repeat Step 15.

IF FILL VALVE TURNS OFF AND ON DURING PERIODS OF NON-USE, it is a signal you are wasting water because:

- The end of the refill tube is inserted into overflow pipe, below water level in tank. Attach refill tube to overflow pipe using "S" clip provided.
- The flush valve is leaking because it's worn, dirty or misaligned with tank ball or flapper (replace with a new flapper).

IF FILL VALVE WON'T TURN ON OR SHUT OFF or REFILL OF TANK WATER IS SLOW after valve has been in use for some time, Fluidmaster Model 242 Replacement Seal may be needed.

Go to our website at www.fluidmaster.com for more solutions to toilet problems.

For troubleshooting information please contact:

Fluidmaster Inc
 30800 Rancho Viejo Road
 San Juan Capistrano, CA 92675
 (949) 728-2000 (800) 631-2011
www.fluidmaster.com

© 2001 Fluidmaster, Inc.
 ® Registered trademark of Fluidmaster, Inc.

REPAIR PARTS LIST

Repair parts are determined by toilet tank number which can be found marked inside tank.

NOTE: "XXX" represents color or trim finish options. Specify when ordering.

BOWL NUMBER

PART NUMBER	DESCRIPTION	BOWL NUMBER	
		3053	3075
738168-XXX	TANK COVER	✓	✓
7301540-200.XXX0A	BOLT CAP KIT	✓	✓
738565-457.0070A	FLUIDMASTER INLET VALVE	✓	✓
7381205-400.0070A	DUAL FLUSH VALVE ASSEMBLY	✓	✓
7381213-200.0070A	FLUSH VALVE SEAL	✓	✓
7381147-200.0070A	EZ TANK COUPLING KIT	✓	✓
7381203-201.0070A	PUSH BUTTON ASSEMBLY	✓	✓
738570-1040A	REFILL TUBE	✓	✓
5121.110.XXX	SEAT ROUND FRONT	✓	
5218.110.XXX	SEAT ELONGATED		✓

TROUBLESHOOTING GUIDE

PROBLEM	POSSIBLE CAUSE	CORRECTIVE ACTION
Does not flush	a. Water supply valve closed. b. Water supply line blocked. c. Sand or debris lodged in water control.	a. Open valve and allow water to fill tank. b. Shut off water supply, disconnect supply line and inspect all gaskets and washers. Reassemble. c. See Fluidmaster maintenance. (see Step 15)
Poor or sluggish flush	a. Tank water too low. b. Bowl water too low. c. Water supply valve partly closed. d. Partially clogged trapway and/or drain pipe and/or vent. e. Supply pressure too low.	a. Check that the water level is set to the mark inside the tank. b. Check that the refill tube is connected to the water control and flush valve port. Adjust refill float down until bowl water is restored. (see Step 11) c. Open water supply valve fully. Be sure that proper supply tube size is used. d. Remove obstruction. Consult a plumber if necessary. e. Minimum water supply pressure - 20psi. Wait for tank to refill.
Toilet leaks	a. Poor supply line connection. b. Poor bowl to floor connection.	a. Review Step 9. b. Review Step 6.
Toilet does not shut off	a. Flush valve seal leaking or deformed. b. Sand or debris lodged in water control. c. Water level set too high.	a. Clean debris from seal surface. Replace flush valve seal as needed. b. See Step 15 Fluidmaster maintenance. c. Set water level to mark on back of tank.

In the United States:

American Standard Brands
 P.O. Box 6820
 Piscataway, New Jersey 08855
 Attention: Director of Consumer Affairs

For residents of the United States, warranty information may also be obtained by calling the following toll free number: (800) 442-1902 www.americanstandard.com

In Canada:

AS Canada ULC
 5900 Avebury Rd.
 Mississauga, Ontario
 Canada L5R 3M3

Toll Free: (800) 387-0369
www.americanstandard.ca

In Mexico:

American Standard B&K Mexico
 S. de R.L. de C.
 Via Morelos #330
 Col. Santa Clara
 Ecatepec 55540 Edo. Mexico
 Toll Free: 01-800-839-1200
www.americanstandard.com.mx