

INSTALLATION INSTRUCTIONS CARE AND MAINTENANCE

American Standard

Style That Works Better

Cadet® 3 Concealed Trapway Studio® Concealed Trapway

Right Height®, Elongated Model 2985, 2989, 2794
Right Height®, Round Front Model 2984, 2988, 2795

Thank you for selecting American Standard - the benchmark of fine quality for over 100 years. To ensure this product is installed properly, please read these instructions carefully before you begin. (Certain installations may require professional help.) Also be sure your installation conforms to local codes.



▲ CAUTION: PRODUCT IS FRAGILE. TO AVOID BREAKAGE AND POSSIBLE INJURY HANDLE WITH CARE!
NOTE: Pictures may not exactly define contour of china and components.

RECOMMENDED TOOLS AND MATERIALS

Putty Knife	Regular Screwdriver	Adjustable Wrench	Sealant	Tape Measure
Hacksaw	Wax Ring/Gasket	Flexible Supply Tube	Closet Bolts	Carpenters Level

1 REMOVE OLD TOILET

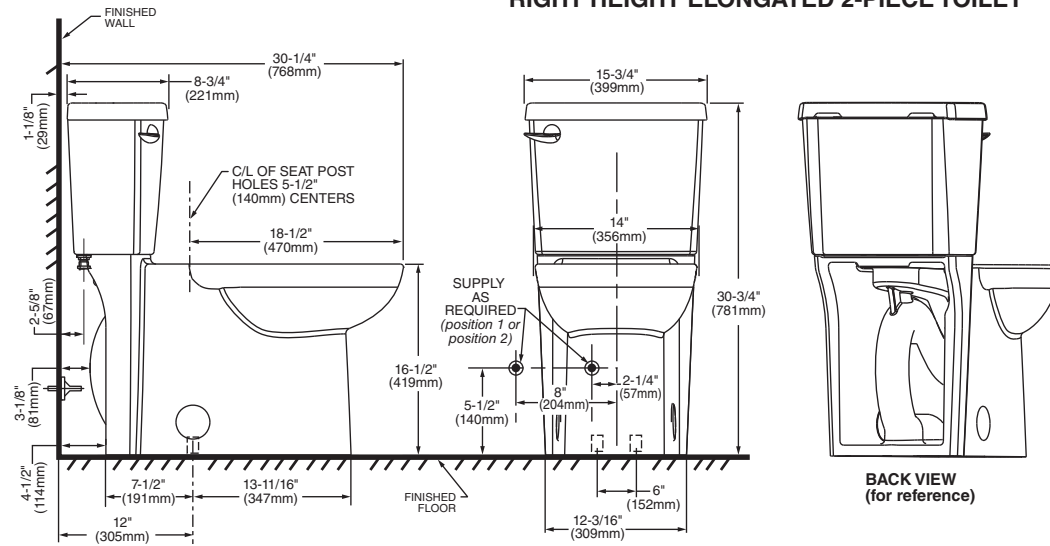
- Close toilet supply valve and flush tank completely. Towel or sponge remaining water from tank and bowl.
- Disconnect and remove supply line. NOTE: *If replacing valve, first shut off main water supply!*
- Remove old mounting hardware, remove toilet and plug floor waste opening to prevent escaping sewer gases.
- Remove closet bolts from flange and clean away old wax, putty, etc. from base area.

NOTE: Mounting surface must be clean and level **before** new toilet is installed!

2 ROUGHING-IN DIMENSIONS:

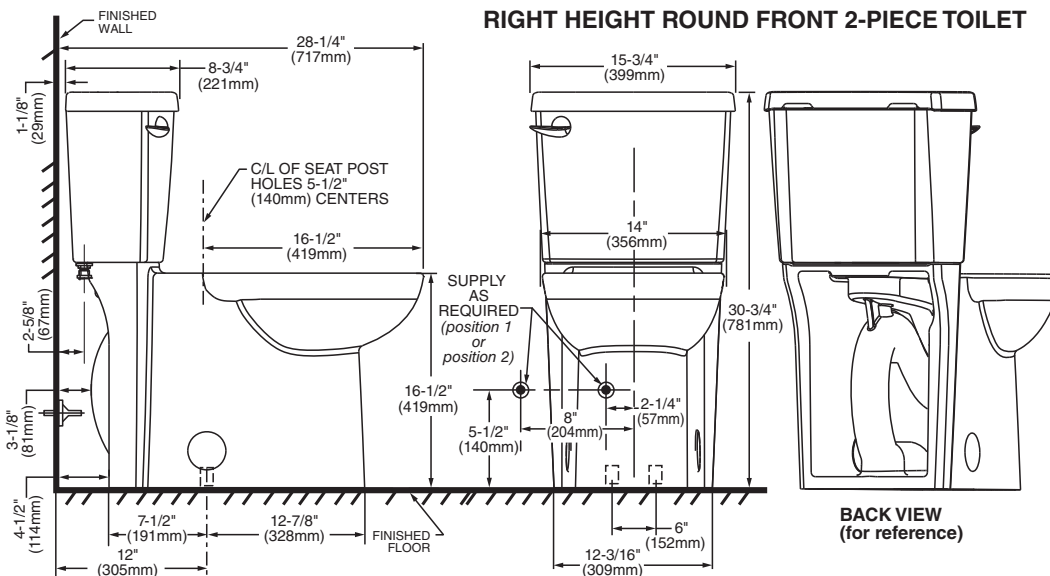
NOTE: Distance from wall to closet flange centerline must be as listed below:

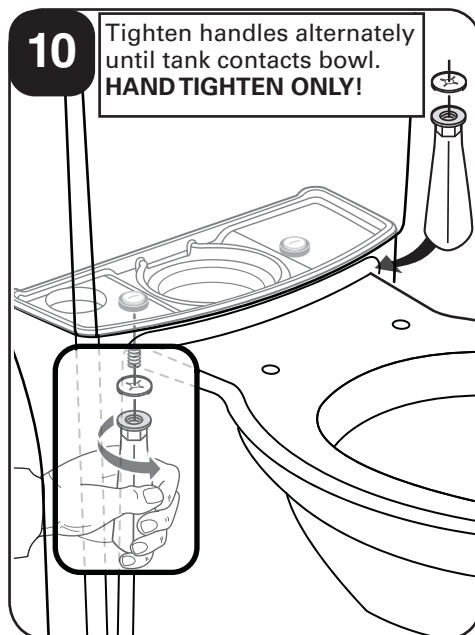
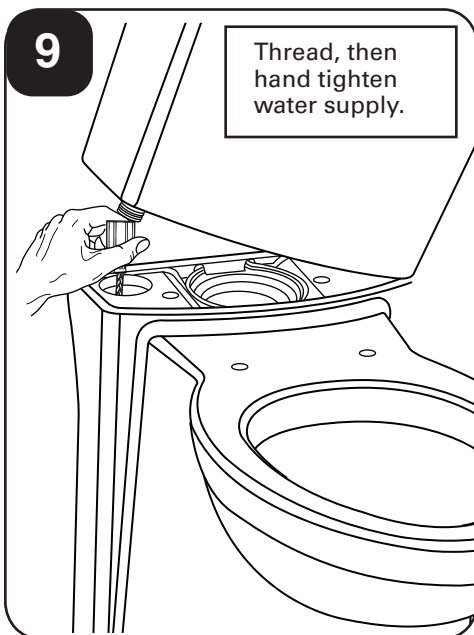
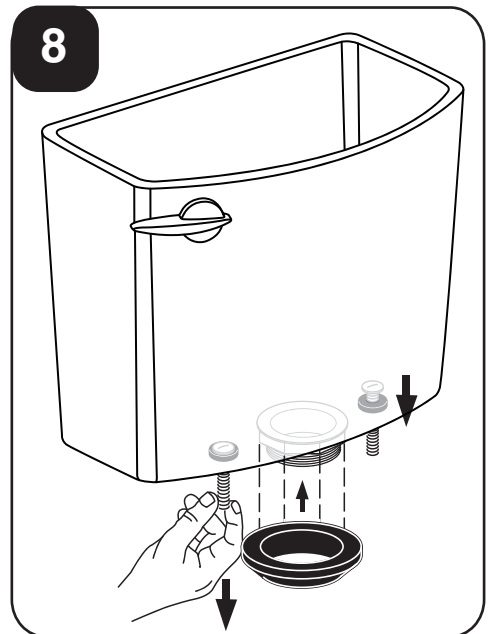
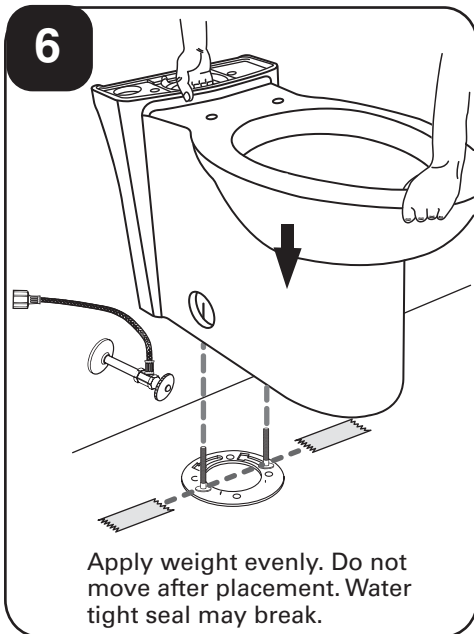
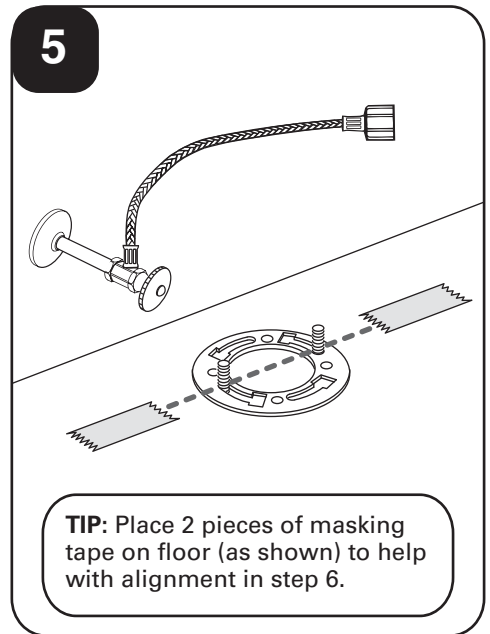
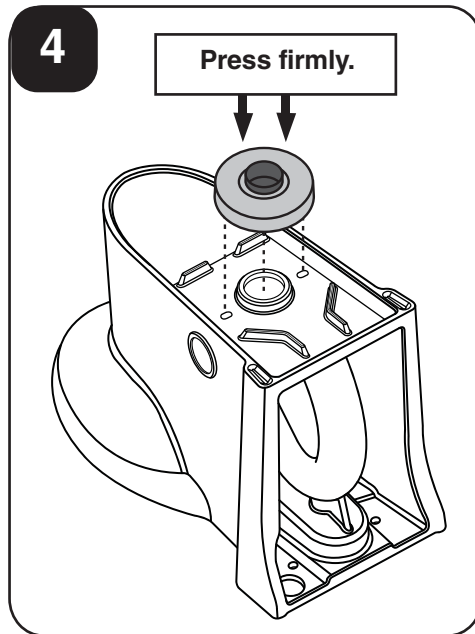
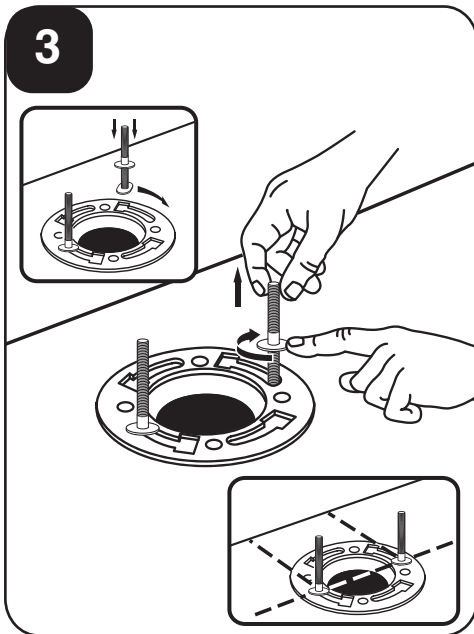
RIGHT HEIGHT ELONGATED 2-PIECE TOILET



IMPORTANT: Water supply on the wall is required at 2-1/4" or 8" from centerline of the toilet (see rough-in). First suggested position is hidden behind the toilet. The geometry of the toilet gives space for this installation. The second suggested position is next to the toilet. Between these two positions, the space for the supply between wall and toilet is limited to 4-1/2". In this case, check your supply and hose dimensions.

RIGHT HEIGHT ROUND FRONT 2-PIECE TOILET





*** For seat installation, see instructions included with seat.**

⚠ WARNING:
Overtightening of water supply line nuts could result in breakage and potential flooding. If the connection leaks after hand tightening, replace the supply line. Do not use any type of sealant on the water supply connection.

⚠ Use of plumber's putty, pipe dope, or any other type of sealant will void the warranty.

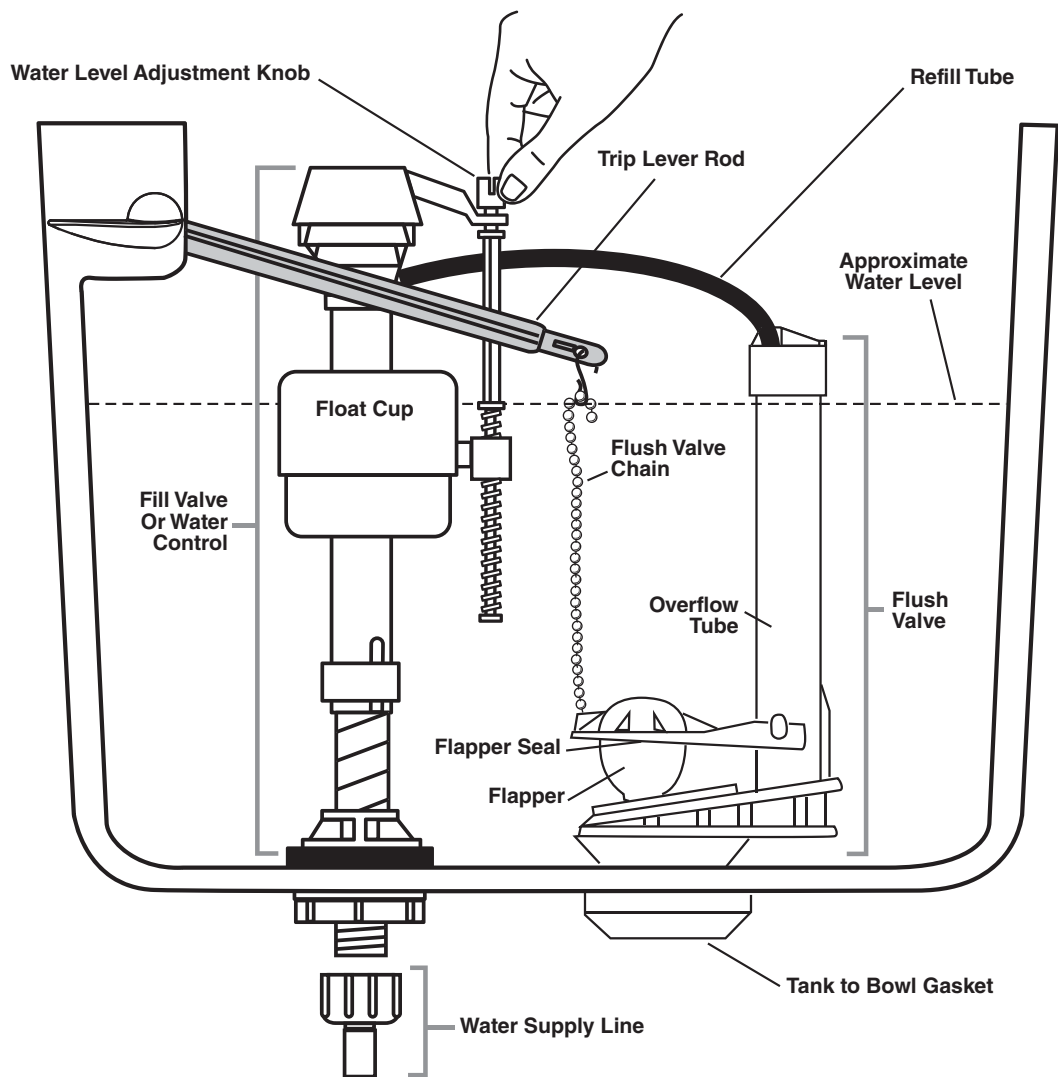
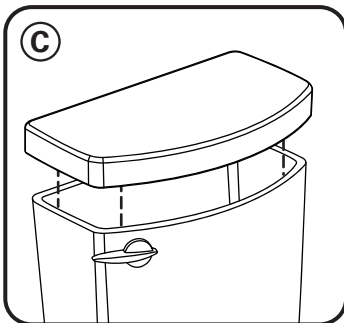
A

Turn on water supply.

B

Adjust water level to level indicated on tank by turning water level adjustment knob to move float cup up or down.

C



CARE AND CLEANING:

When cleaning your toilet, wash it with mild, soapy water, rinse thoroughly with clear water and dry with a soft cloth.

WARNING: Do not use in-tank cleaners. These products can seriously corrode fittings in the tank. This damage can cause leakage and property damage.

American Standard shall not be responsible or liable for any damage caused by the use of in-tank cleaners.

REPAIR PARTS LIST

Repair parts are determined by toilet tank number which can be found marked inside tank.

NOTE: "XXX" represents color or trim finish options. Specify when ordering.

		TANK			
		4000.001 1.6 gpf/ 6.0 Lpf	4000.101 1.28 gpf/ 4.8 Lpf	4000.004 1.6 gpf/ 6.0 Lpf	4000.104 1.28 gpf/ 4.8 Lpf
PART NUMBER	DESCRIPTION				
738903-XXX0A	Tank Lever LH	√	√		
7381064-XXX0A	Tank Lever LH			√	√
7301540-200.XXX0A	Bolt Cap Kit (consists of 2 caps, 2 sleeves, & 2 retaining rings)	√	√	√	√
7381125-400.0070A	Fluidmaster 400A Inlet Valve	√	√	√	√
7381146-401.0070A	Flushvalve Assembly - 3 inch (includes flapper)	√			
7381193-201.0070A	Flapper Assembly - 3 inch	√			
7381146-406.0070A	Flushvalve Assembly (HET) - 3 inch (includes flapper)		√		
7381193-203.0070A	Flapper Assembly (HET) - 3 inch		√		
7381147-200.0070A	EZ-Install Tank Coupling Kit	√	√	√	√
735154-400.XXX	Tank Cover - 12 inch rough	√	√		
735158-400.XXX	Tank Cover - 12 inch rough			√	√
5283.110.XXX	Elongated Rim Seat - Slow Close	√	√		
5281.110.XXX	Round Front Rim Seat - Slow Close	√	√		
5218.110.XXX	Elongated Rim Seat - Slow Close			√	√
5121.110.XXX	Round Front Rim Seat - Slow Close			√	√
738570-100.0070A	Refill Tube	√	√	√	√
7381146-408.0070A	Flushvalve Assembly - 3 inch (includes flapper)			√	
7381146-409.0070A	Flushvalve Assembly (HET) - 3 inch (includes flapper)				√
7381193-205.0070A	Flapper Assembly - 3 inch			√	
7381193-206.0070A	Flapper Assembly (HET) - 3 inch				√
7381211-200.0070A	Silicone Flapper Seal	√	√	√	√
7381167-200.0070A	Bowl to Floor Knobs	√	√	√	√

TROUBLESHOOTING GUIDE

See Step 11 For Diagram

Problem	Possible Cause	Corrective Action
Does not flush	a. Water supply valve closed. b. Supply line blocked. c. Flush valve chain too loose or disconnected. d. Sand or debris lodged in water control.	a. Open valve and allow water to fill tank. b. Shut off water supply, disconnect supply line and inspect all gaskets and washers. Reassemble. c. Readjust chain length as required. d. Shut off water supply. Remove cap and clean as per Fluidmaster maintenance instructions at: www.americanstandard-us.com/enews/fluidmasterguide.pdf
Poor or sluggish flush	a. Bowl water level too low. b. Supply valve partly closed. c. Partially clogged trapway and/or drain pipe and/or vent. d. Supply pressure too low.	a. Check that refill tube is connected to water control and inserted into overflow tube without being kinked or damaged. b. Open supply valve fully. Be sure that proper supply tube size is used. c. Remove obstruction. Consult a plumber if necessary. d. Normal supply pressure must be at least 20 psi.
Toilet leaks	a. Poor supply line connection. b. Poor bowl to tank/floor connection.	a. Review Step 10 of installation procedure. b. Review Step 3 through 8 of installation procedure.
Toilet does not shut off	a. Flapper seal leaking or deformed. b. Sand or debris lodged in water control. c. Flush valve chain too tight, holding flapper open.	a. Clean debris from seal surface. Replace flapper seal as needed. b. Shut off water supply. Remove cap and clean as per Fluidmaster maintenance instructions at: www.americanstandard-us.com/enews/fluidmasterguide.pdf c. Readjust chain length as needed.
Toilet bowl rocks after installation	a. Wax ring not fully compressed. b. Floor not level.	a. Retighten bowl-to-floor knobs. b. Use toilet shims and /or place a bead of caulk around the base of the toilet.

For Repair Parts List, See Under Tank Lid.

In the United States:

American Standard Brands
 P.O. Box 6820
 Piscataway, New Jersey 08855
 Attention: Director of Consumer Affairs

For residents of the United States, warranty information may also be obtained by calling the following toll free number: (800) 442-1902
www.americanstandard.com

In Canada:

AS Canada ULC
 5900 Avebury Rd.
 Mississauga, Ontario
 Canada L5R 3M3

Toll Free: (800) 387-0369
www.americanstandard.ca

In Mexico:

American Standard B&K Mexico
 S. de R.L. de C.
 Via Morelos #330
 Col. Santa Clara
 Ecatepec 55540 Edo. Mexico
 Toll Free: 01-800-839-1200
www.americanstandard.com.mx