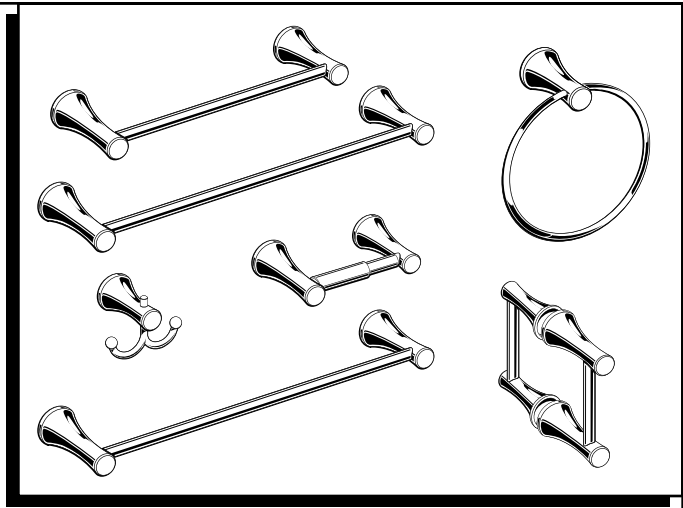


C SERIES
Casual Bath Accessories

| | |
|-------------------------------|-----------------|
| 18" TOWEL BAR | 8337.018 |
| 24" TOWEL BAR | 8337.024 |
| TOWEL RING | 8337.190 |
| DOUBLE ROBE HOOK | 8337.210 |
| TOILET PAPER HOLDER | 8337.230 |
| 24" SHOWER DOOR HANDLE | 8337.524 |
| 6" SHOWER DOOR HANDLE | 8337.506 |

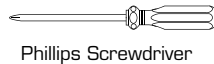
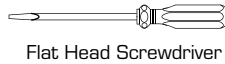
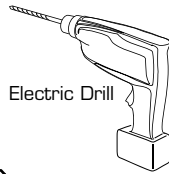
Thank you for selecting American-Standard...the benchmark of fine quality for over 100 years.

To ensure that your installation proceeds smoothly--please read instructions carefully before you begin.



M965366 REV. 1.2 (12/14)

Recommended Tools



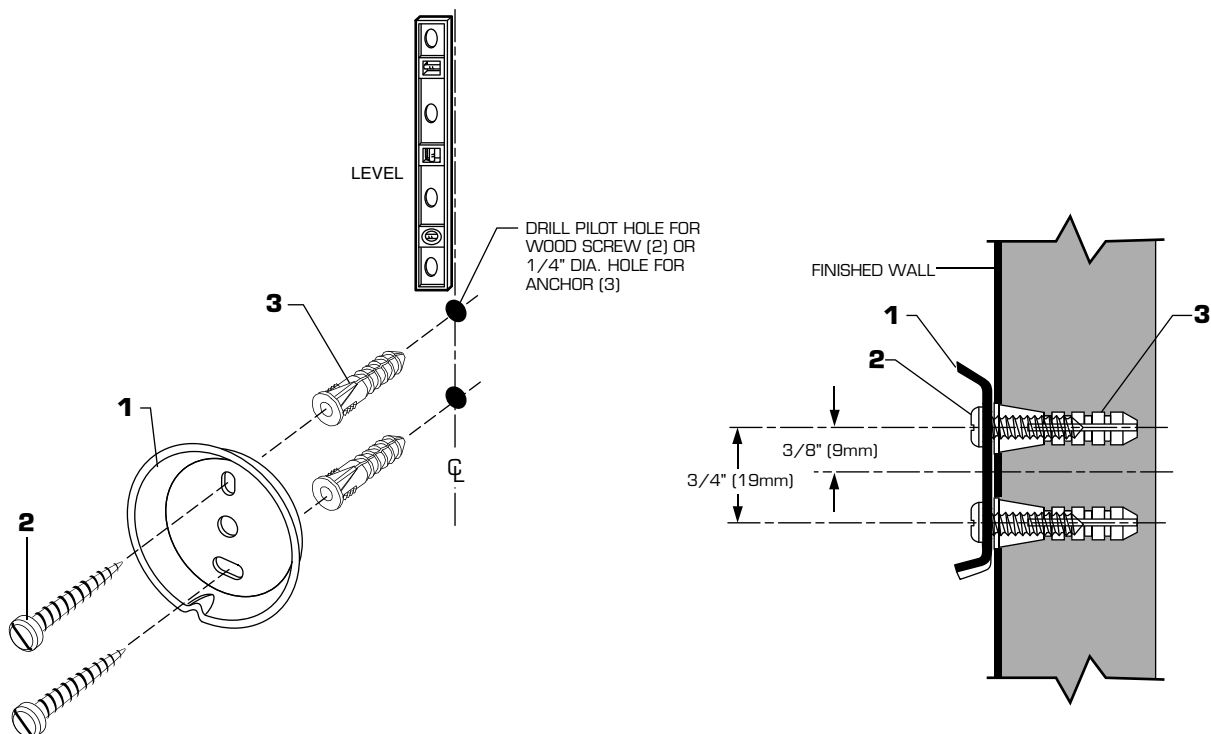
CARE INSTRUCTIONS:

DO: CLEAN WITH CLEAR WATER. DRY WITH A SOFT COTTON FLANNEL CLOTH.

DO NOT: DO NOT CLEAN THE PRODUCT WITH SOAPS, ACID, POLISH, ABRASIVES, HARSH CLEANERS, OR A CLOTH WITH A COARSE SURFACE.

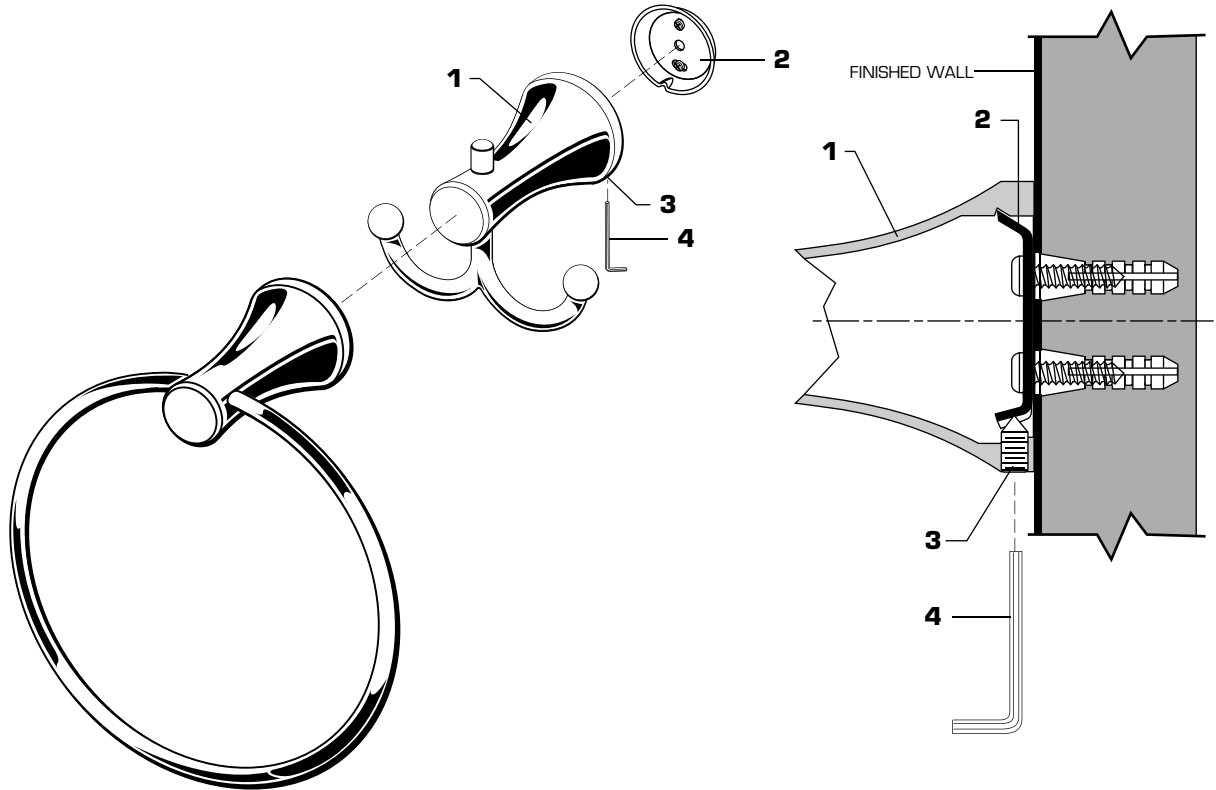
1 INSTALLATION OF MOUNTING BRACKETS FOR ALL WALL MOUNTED ACCESSORIES

- The WALL MOUNTED ACCESSORIES work best if secured to a wall stud or cross brace within the wall, using the SCREWS (2) supplied.
- If the ACCESSORY is to be installed on a tile or plaster wall, the ANCHORS (3) and SCREWS (2) should be used.
- Determine desired height and location (optional) and mark a center line. Make sure the centerline is level. Using the MOUNTING BRACKET (1) as a template, mark the two spots for the mounting holes. If MOUNTING BRACKET (1) is secured to a stud or cross brace, drill small pilot holes for SCREWS(2).
- For installations on tiled walls or drywall, use TILE ANCHORS (3) and SCREWS (2) for securing MOUNTING BRACKET (1) to wall. Drill two 1/4" diameter holes a minimum of 1-1/4" deep. Insert the two TILE ANCHORS (3) flush with face of finished wall. Place MOUNTING BRACKET (1) over TILE ANCHORS (3) and insert SCREWS (2) provided with a flat blade screwdriver. See illustration below.
- Secure MOUNTING BRACKET (1) to wall with SCREWS (2).



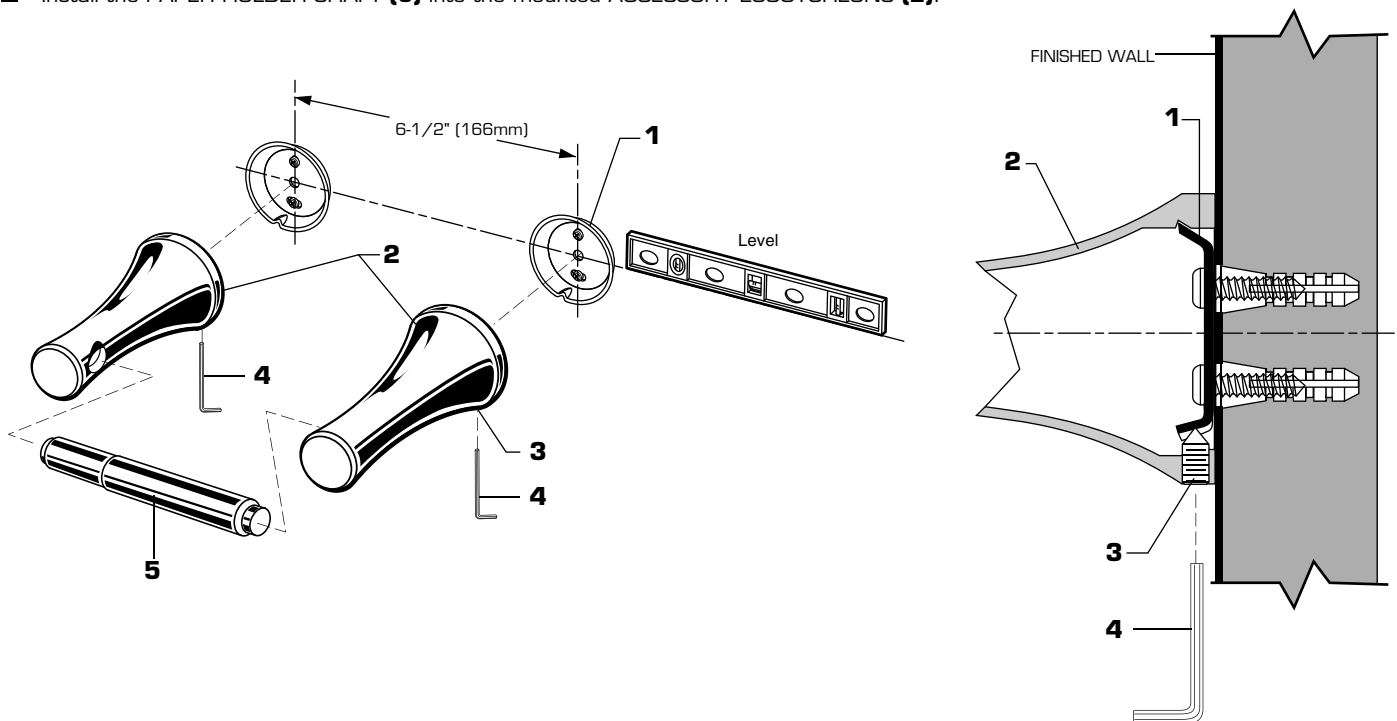
2 TOWEL RING and ROBE HOOK INSTALLATION

- Refer to **Step 1** for installation of MOUNTING BRACKETS (2). Align accessory and place ACCESSORY ESCUTCHEON (1) onto MOUNTING BRACKET (2). Secure accessory with SET SCREW (3) using a 4mm HEX WRENCH (4).



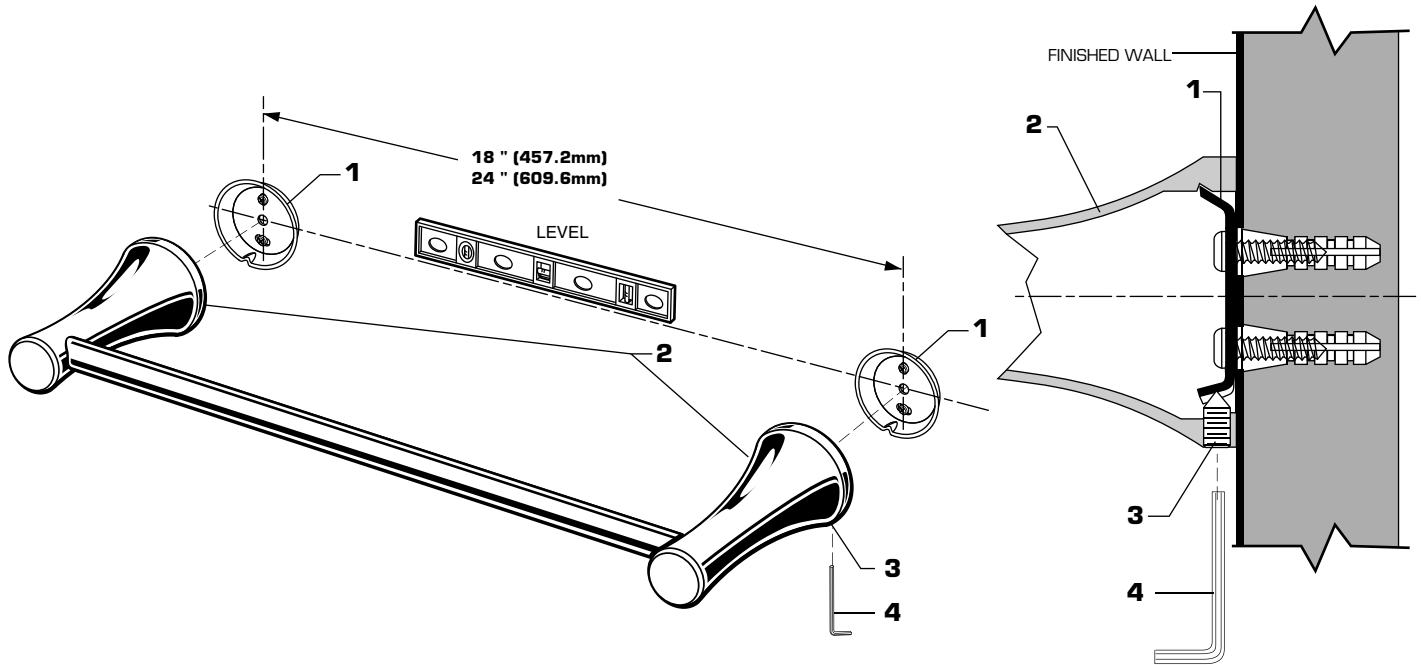
3 INSTALL TOILET PAPER HOLDER

- Refer to **Step 1** for installation of MOUNTING BRACKETS (1). **NOTE: The center line distance between the two MOUNTING BRACKETS is 6-1/2" (166mm). Make sure the two MOUNTING BRACKETS (1) are level.**
- Install the ACCESSORY ESCUTCHEONS (2) on the MOUNTING BRACKETS (1). Make sure the ACCESSORY ESCUTCHEONS (2) with holes for the horizontal shaft are facing inward. Secure ACCESSORY ESCUTCHEONS (2) with SET SCREW (3) using a 4mm HEX WRENCH (4).
- Install the PAPER HOLDER SHAFT (5) into the mounted ACCESSORY ESCUTCHEONS (2).



4 18" and 24" TOWEL BAR INSTALLATION

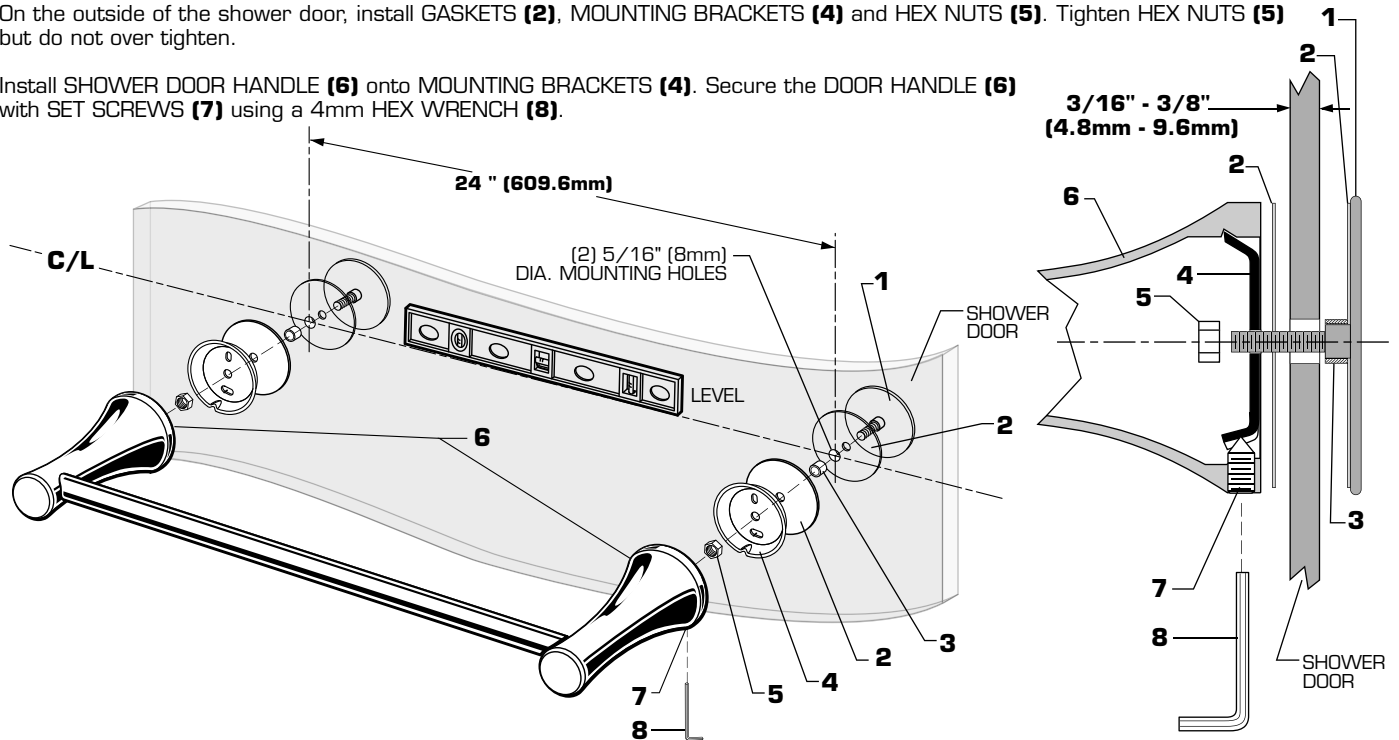
- Refer to **Step 1** for installation of MOUNTING BRACKETS (1). **NOTE: The center line distance between the two MOUNTING BRACKETS is 18" (457.2mm) or 24" (609.6mm). Make sure the two MOUNTING BRACKETS (1) are level.**
- Install the ACCESSORY ESCUTCHEONS (2) on the MOUNTING BRACKETS (1). Secure ACCESSORY ESCUTCHEONS (2) with SET SCREW (3) using a 4mm HEX WRENCH (4).



5 24" SHOWER DOOR HANDLE INSTALLATION

Note: Professional installation is required for this product. The warranty does not cover damage to the shower door due to improper installation.

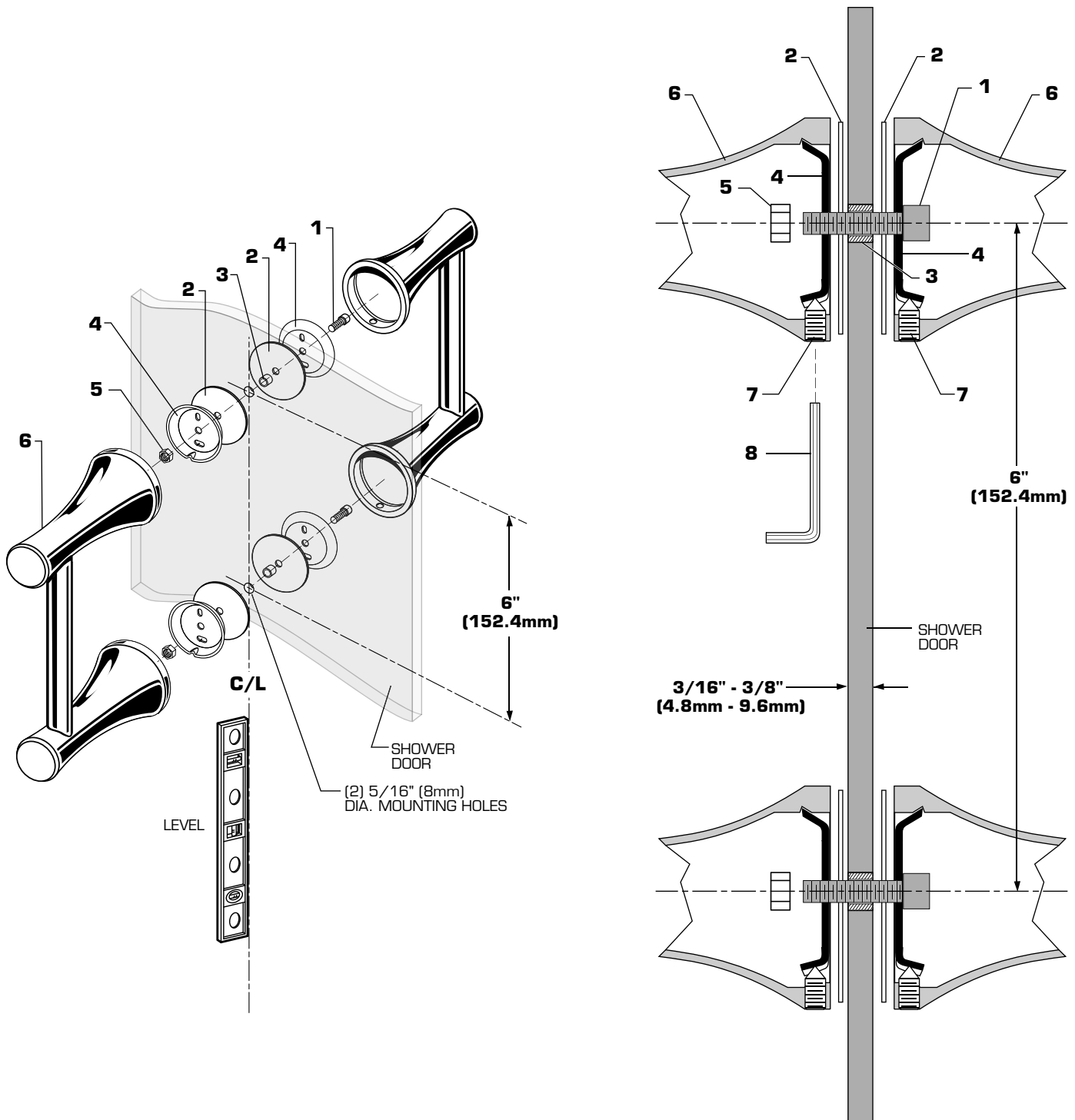
- Determine the desired height and location and mark a horizontal centerline. Make sure the centerline is level.
- Drill two 5/16" (8mm) diameter mounting holes through the shower door 24" (609.6mm) apart. Insert BOLTS (1), GASKETS (2) and INSERTS (3) on the inside of the shower door.
- On the outside of the shower door, install GASKETS (2), MOUNTING BRACKETS (4) and HEX NUTS (5). Tighten HEX NUTS (5) but do not over tighten.
- Install SHOWER DOOR HANDLE (6) onto MOUNTING BRACKETS (4). Secure the DOOR HANDLE (6) with SET SCREWS (7) using a 4mm HEX WRENCH (8).



6 6" SHOWER DOOR HANDLE INSTALLATION

Note: Professional installation is required for this product. The warranty does not cover damage to the shower door due to improper installation.

- Determine the desired height and location and mark a vertical centerline. Make sure the centerline is level.
- Drill two 5/16" (8mm) diameter mounting holes through the shower door 6" (152.4mm) apart. Insert BOLTS (1), GASKETS (2), INSERTS (3) and MOUNTING BRACKETS (4) on the inside of the shower door.
- On the outside of the shower door, install GASKETS (2), MOUNTING BRACKETS (4) and HEX NUTS (5). Tighten HEX NUTS (5) but do not over tighten.
- Install SHOWER DOOR HANDLE (6) onto MOUNTING BRACKETS (4). Secure the DOOR HANDLE (6) with SET SCREWS (7) using a 4mm HEX WRENCH (8).



C SERIES
Casual Bath Accessories

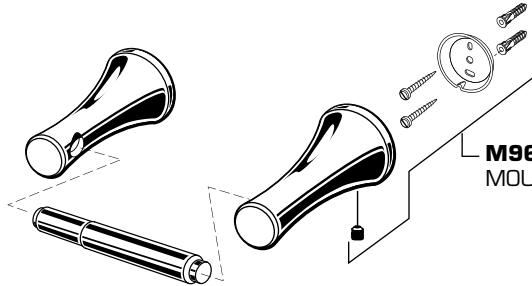
- 18" TOWEL BAR
- 24" TOWEL BAR
- TOWEL RING
- DOUBLE ROBE HOOK
- TOILET PAPER HOLDER
- 24" SHOWER DOOR HANDLE
- 6" SHOWER DOOR HANDLE

MODEL NUMBERS

8337.018
8337.024
8337.190
8337.210
8337.230
8337.524
8337.506



DOUBLE ROBE HOOK
8337.210



M964248-0070A
MOUNTING KIT

TOILET PAPER HOLDER
8337.230

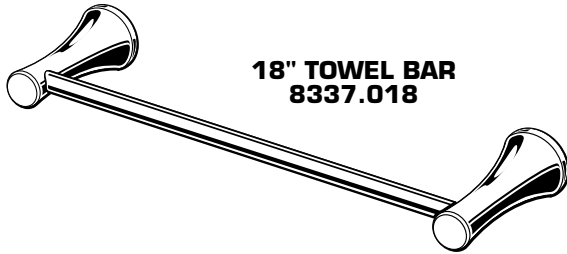


TOWEL RING
8337.190



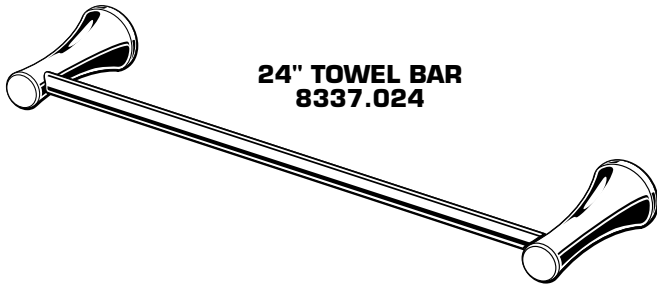
24" SHOWER DOOR HANDLE
8337.524

M964300-0070A
MOUNTING KIT

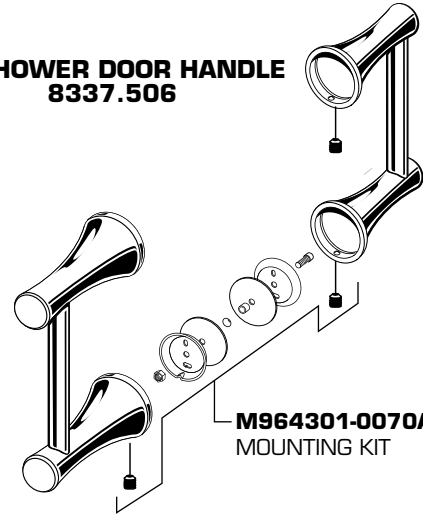


18" TOWEL BAR
8337.018

6" SHOWER DOOR HANDLE
8337.506



24" TOWEL BAR
8337.024



M964301-0070A
MOUNTING KIT

Replace the "YYY" with appropriate finish code

| | |
|-------------------|-----|
| CHROME | 002 |
| OIL RUBBED BRONZE | 224 |
| SATIN NICKEL | 295 |



HOT LINE FOR HELP
 For toll-free information and answers to your questions, call:
 1-800 442-1902
 Weekdays 8:00 a.m. to 8:00 p.m. EST
 IN MEXICO 01-800-839-12-00

IN CANADA 1-800-387-0369 (TORONTO 1-905-306-1093)
 Weekdays 8:00 a.m. to 7:00 p.m. EST

Product names listed herein are trademarks of American Standard Inc.
 © AS America, Inc. 2012