

AUTOMATIC ICE MAKER INSTALLATION INSTRUCTIONS

WARNING

Ice maker kit should be installed only by an authorized service technician.

WARNING

- To avoid electric shock, which can cause death or severe personal injury, disconnect the refrigerator from electrical power before connecting a water supply line to the refrigerator.
- Connect the ice maker to a potable water supply only.

CAUTION

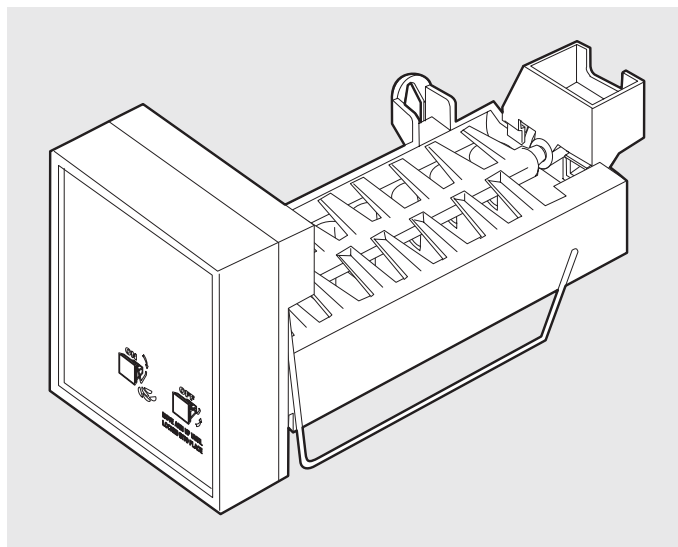
To Avoid Property Damage:

- Copper tubing is recommended for the water supply line. Water supply tubing made of ¼ inch plastic should not be used since it greatly increases the potential for water leaks. The manufacturer will not be responsible for any damage if plastic tubing is used for the supply line.
- DO NOT install water supply tubing in areas where temperatures fall below freezing.
- Chemicals from a malfunctioning water softener can damage the ice maker. If the ice maker is connected to softened water, ensure that the softener is maintained and working properly.

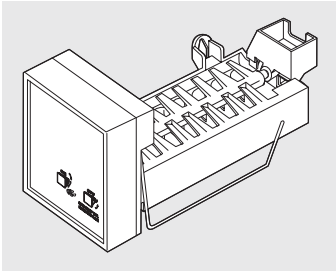
The following items will be required to install the ice maker kit:

- ¼ inch copper supply line with shut off valve
- ¼ inch brass compression nut and ferrule
- Freezer shelf (Some models not equipped with shelf). If your model does not have one, contact your dealer to order one.

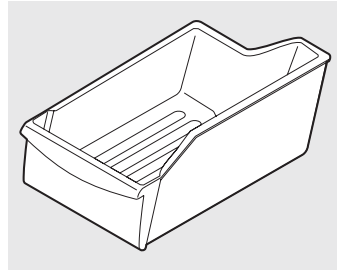
The copper tubing and shut off valve are available in a kit from your local hardware or plumbing supply store. Coil enough tubing at the back of the unit to allow movement for cleaning.



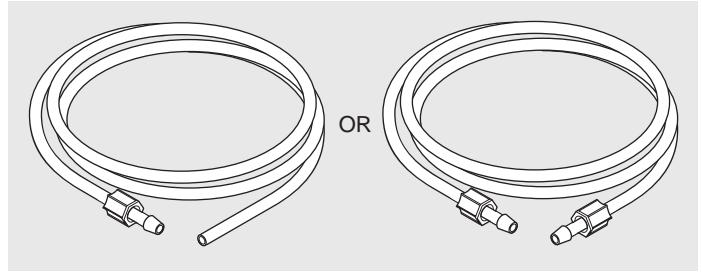
Use This Page to Identify Parts



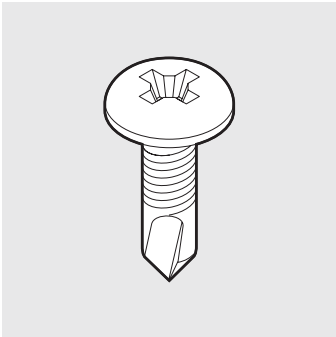
1. Ice Maker



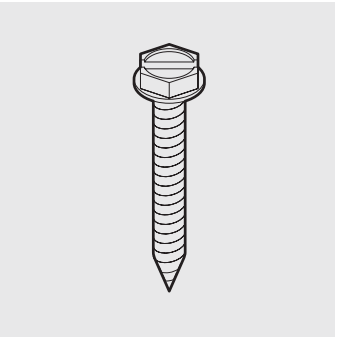
2. Ice Container



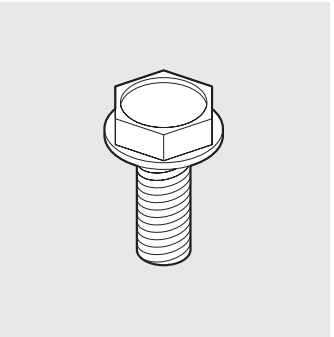
3. Plastic Water Supply Tubing



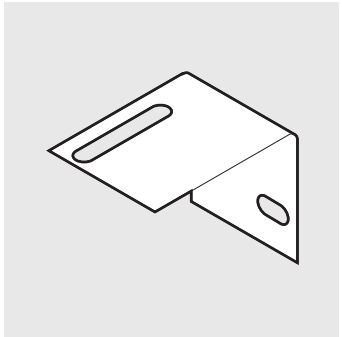
4. Screws - Qty 2



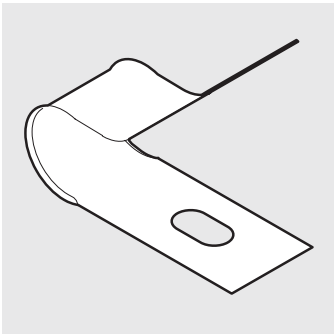
5. Screws - Qty 2



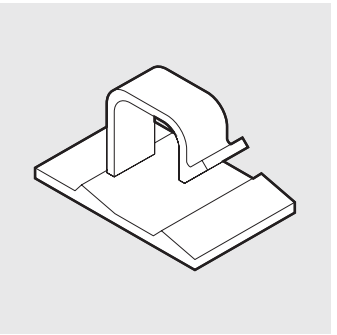
6. Leveling Bracket Screw - Qty 1



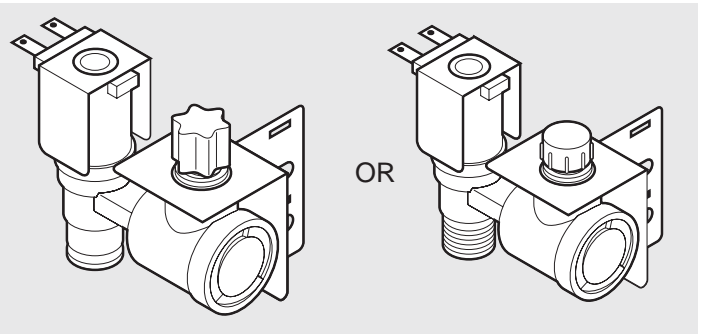
7. Leveling Bracket - Qty 1



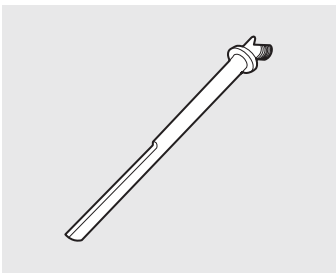
8. Steel Clamp - Qty 1



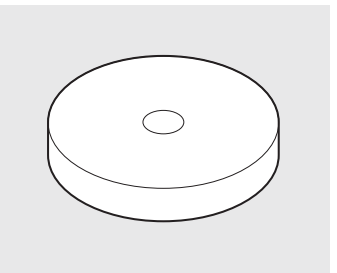
9. Plastic Clamp - Qty 2



10. Water Valves - Qty 1



11. Water Inlet Tube - Qty 1



12. Tube Seal - Qty 1

Tools Required:

• Plastic Putty Knife	• Phillips™ Screwdriver
• ¼ inch Socket Wrench or Nut Driver	• Needle Nose Pliers
• Adjustable Wrench	• Power Drill with Phillips™ bit
• Small Kitchen Knife	

ICE MAKER INSTALLATION INSTRUCTIONS

1. Unplug refrigerator from electrical outlet.
2. Remove ice tray rack from freezer (some models).
3. Remove spacer. Remove freezer shelf (some models) by pushing shelf to left until right side of shelf comes free from holes. Then slowly lift up and pull shelf free from holes on right side.

NOTE

On some models, there are two plugs on the left freezer wall that must be removed. These holes will be used to mount the Ice Maker (1). (There is also a plug on the back wall where the water inlet tube (11) will be inserted.)

4. Use a plastic putty knife to remove plugs from inside freezer compartment. (See Figure 1.)
5. Remove the harness connector cover, where the ice maker will plug into, by removing the 1/4 inch hex head screw. (See Figure 1.)

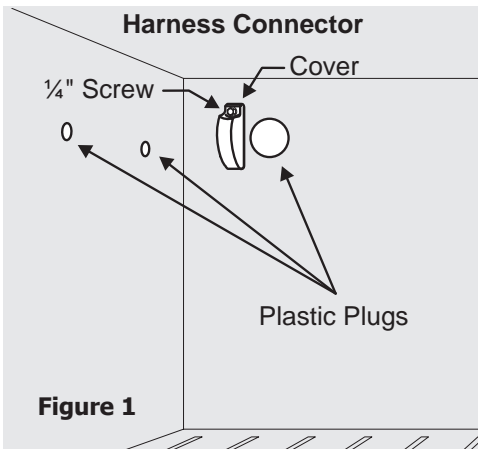


Figure 1

NOTE

Your refrigerator may have an exterior condenser, as shown in Figure 2A, or an interior condenser, shown in figure 2B. If your refrigerator has an exterior condenser, it may be necessary to loosen the two brackets on the right side of the condenser. Then the condenser can be pulled away from the back of the refrigerator far enough to gain easy entry during the installation process.

Figure 2C shows the location of the screws and the cutout on the access cover.

6. Remove screws securing Access Cover to cabinet (interior condensers only - see figure 2C).

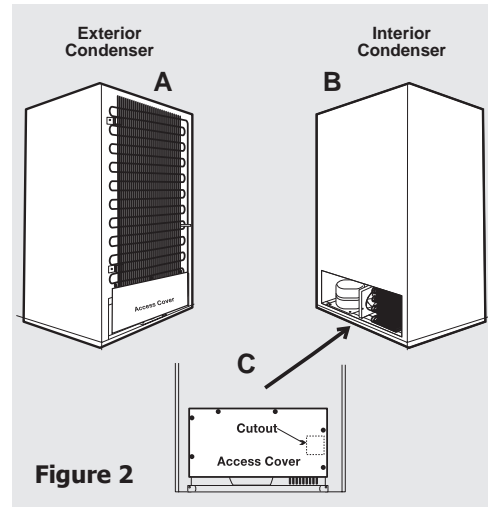


Figure 2

7. Use small kitchen knife to cut Ice Maker Installation label on dashed lines located on outside rear panel of refrigerator in top, right corner. See Figure 3. Push flaps inward until they stick to unit.

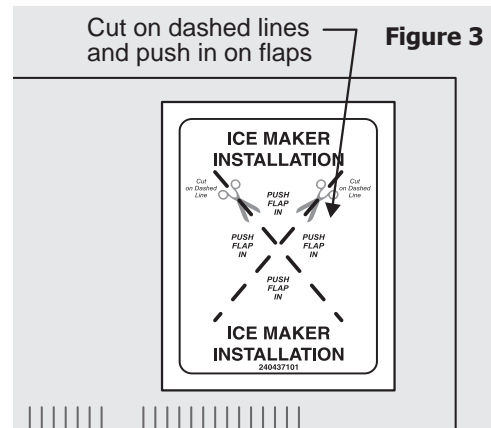


Figure 3

8. If necessary, remove any foam from within access hole with needle nose pliers.

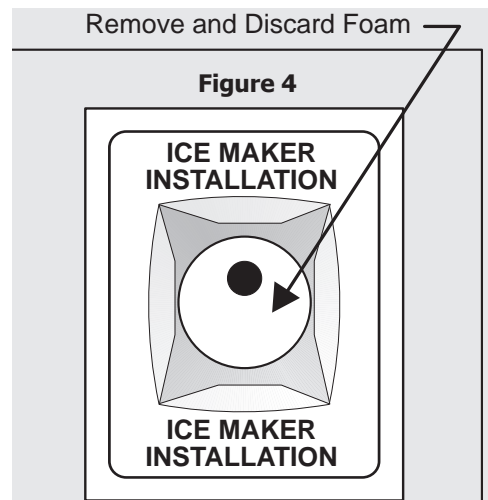
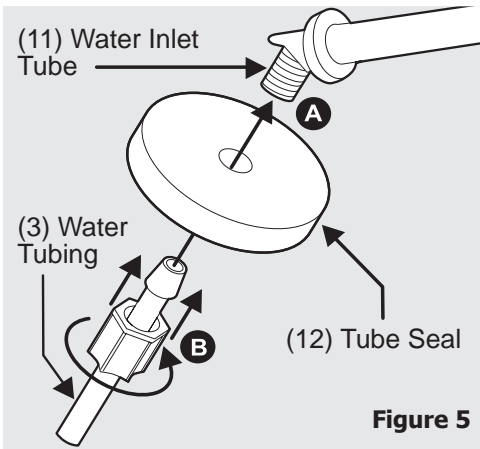
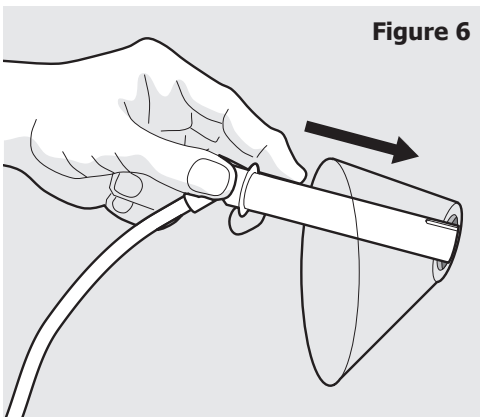


Figure 4

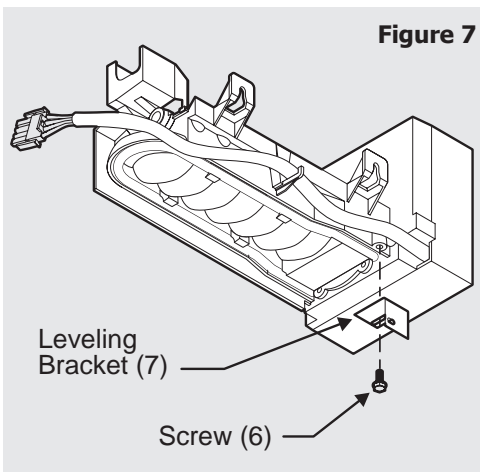
- Push tube seal (12) over threads (Figure 5). Push plastic water supply tubing (3) into water inlet tube (11) as far as it will go and finger tighten nylon compression nut onto threaded end of inlet tube. Tighten another 1/2 turn with a wrench. DO NOT over-tighten.



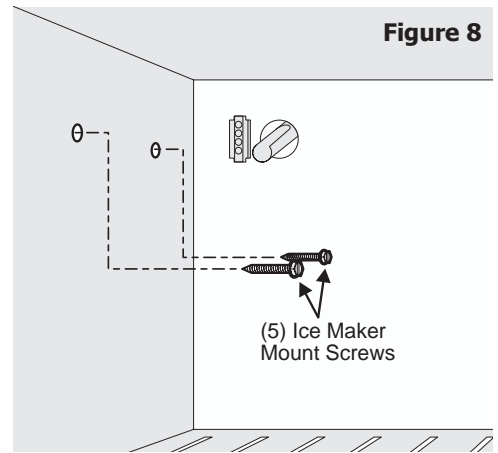
- Push water inlet tube (11) through small hole where Installation label was (Figure 6). Rotate while inserting tube until flat surface of inlet tube is tight against back of refrigerator.



- Install adjustable leveling bracket (7) on bottom of Ice Maker (1) with screw (6) (Figure 7). DO NOT tighten bracket. It will be tightened later in this procedure.



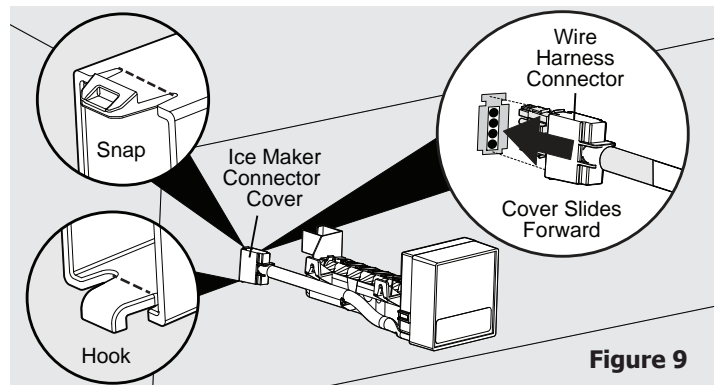
- Start two, long, Ice Maker mounting screws (5) into freezer wall where plugs were removed in Step 4. Turn each screw clockwise five turns (Figure 8).



NOTE

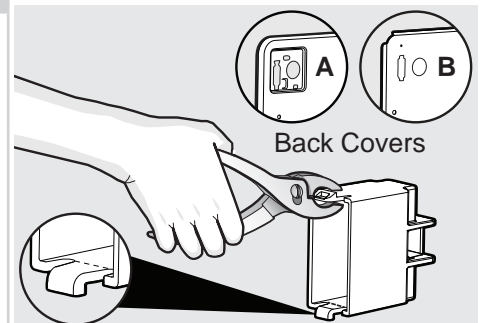
It requires the use of both hands to hook up and secure the Ice Maker to the freezer wall. DO NOT let the Ice Maker dangle free after the wiring harness is plugged into the connector on the back freezer wall.

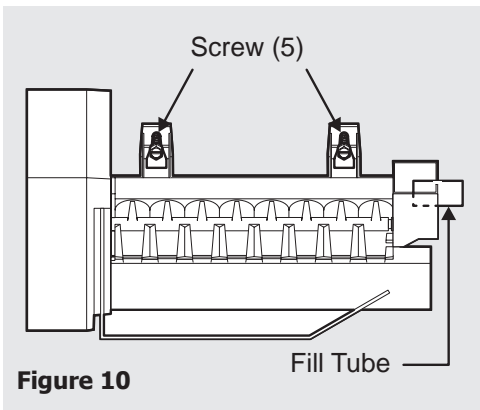
- Connect wiring harness into connector mounted on the back freezer panel, just to the left of where the water inlet tube comes through. The harness connector is keyed so it will only fit one way. Next, slide Ice Maker connector cover over connector, noting the orientation in Figure 9. (Snap on top, hook on bottom). The Ice maker connector cover can then be snapped into place into the back panel or slid up tight to back panel depending on which version of back panel you have (see note below). Then, mount Ice Maker to the two screws (5) you started earlier from Step 12. (See figure 10.) Tighten screws. Make sure water inlet tube (11) is sitting inside fill cup.



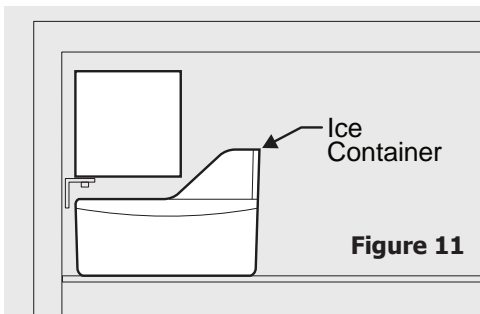
NOTE

If your back cover looks like (A) proceed to installing ice maker. If your back cover looks like (B), break off snap and hook on connector cover using pliers, then proceed to installing ice maker.

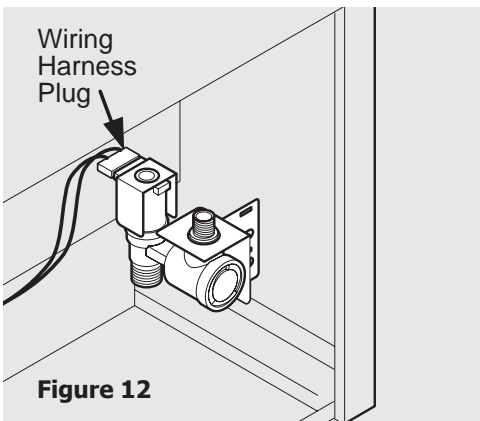




14. Adjust leveling bracket (7) on Ice Maker (1). When the gap between freezer wall and Ice Maker is the same at top and bottom, then Ice Maker is level. Tighten screw (6) when level.
15. Reinstall freezer shelf in lower position. Set ice container (2) on shelf.

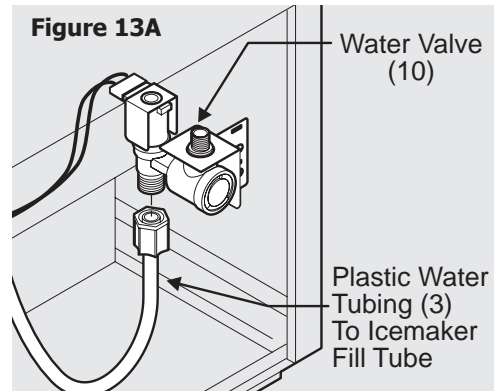


16. Connect wiring harness to water valve. Make sure connection is tight.

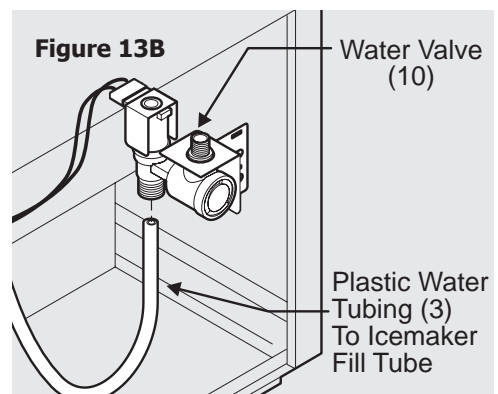


17. Two types of water valves can be used with this kit. Follow the instructions which applies to the type of valve supplied with your kit. See Figures 13A and 13B.

For valves with a threaded outlet (Figure 13A), push the bullet-shaped end of the green tube into the valve and tighten the plastic nut (finger tight). Then tighten it an additional 1/2 turn with a wrench. DO NOT overtighten.



For valves with a push-in connection with no threads (Figure 13B), check the green hose to see if it has a small black mark near the end without the formed tip and plastic nut. If there is not a mark, use a measuring tape and marker to place a mark 11/16 inch from the end. The valve seals against the outside surface of the tube with an o-ring, so be sure the end of the tube is clean and not scratched. Grasp the tube just above the mark and push it firmly into the valve until it bottoms out. When pushed in to the proper depth, the mark will line up with the end of the valve fitting. If the mark is not even with the end of the fitting, the tube is not pushed in all the way. To remove the tube, push inward on the collar at the end of the fitting while pulling on the tube.



NOTE

If your refrigerator has an interior condenser, it's a good idea to connect the plastic water supply tubing and the wiring harness to the water valve prior to mounting the valve to the rear panel because of space constraints. Once the valve is mounted, it's very hard to get your hands in there to make the necessary connections. Additionally, the metal tubing may have to be bent slightly out of the way for the water valve to fit in the space. Do Not kink tubing.

18. Locate factory drilled holes at bottom right corner of rear panel. Align water valve bracket with factory drilled holes. You may have to bend the metal tubing slightly out of the way. Use a power drill with a Phillips® head bit to drive two self tapping screws (4) through bracket and into cabinet.

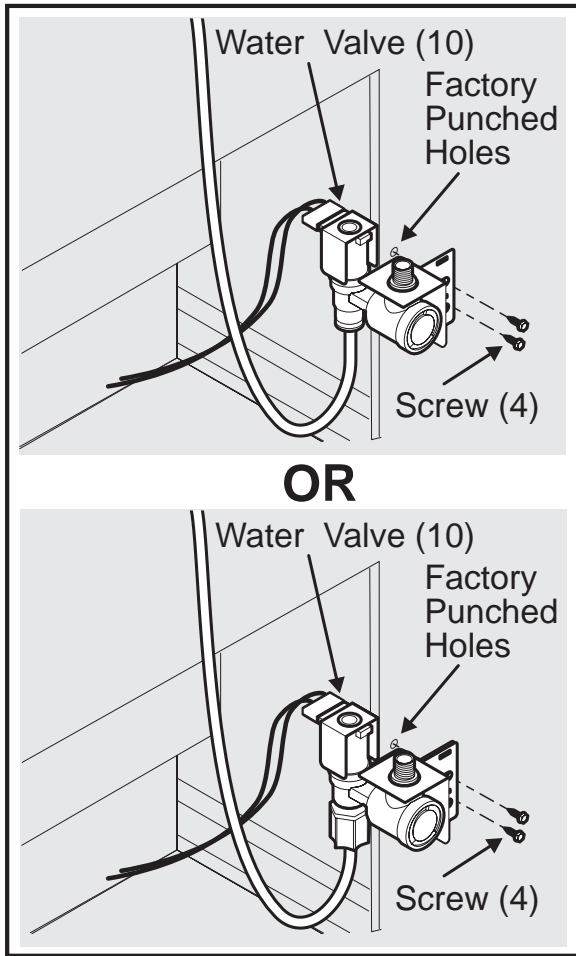
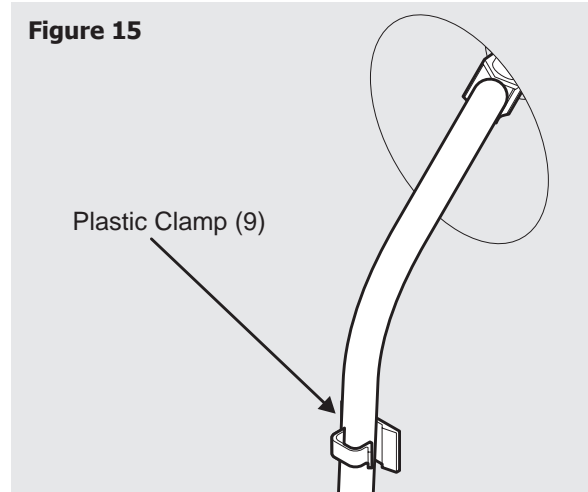


Figure 14

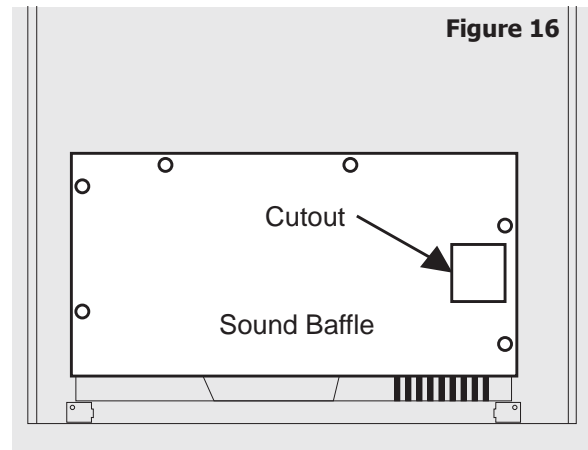
NOTE

Clean back of cabinet with a commercial household cleaner, ammonia or alcohol before applying plastic clamps to water tubing.

19. Secure plastic water tubing to rear of cabinet with two plastic clamps (9).



20. Punch out cutout on access cover to allow for water valve (interior condenser models only).



21. Remount access cover (interior condenser models only) and condenser, if it was pulled out of the way because of space constraints.

Connecting Ice Maker to Water Supply

WARNING

Ice maker kit should be installed only by an authorized service technician.

WARNING

- To avoid electric shock, which can cause death or severe personal injury, disconnect the refrigerator from electrical power before connecting a water supply line to the refrigerator.
- Connect the ice maker to a potable water supply only.

IMPORTANT

Ensure that your water supply line connections comply with all local plumbing codes.

Before Installing The Water Supply Line, You Will Need:

Basic tools: adjustable wrench, 1/4 inch nut driver, and Phillips™ screwdriver.

- Access to a household cold water line with water pressure between 30 and 100 psi. (2 and 6.9 bar)
- A water supply line made of 1/4 inch (6.4 mm) OD, copper tubing. To determine the length of copper tubing needed, you will need to measure the distance from the ice maker inlet valve at the back of the refrigerator to your cold water pipe. Then add approximately 7 feet (2.1 meters), so the refrigerator can be moved out for cleaning.
- A shutoff valve to connect the water supply line to your household water system. DO NOT use a self-piercing type shutoff valve.
- A compression nut and ferrule (sleeve) for connecting the water supply line to the ice maker inlet valve.

To Connect Water Supply Line To Ice Maker Inlet Valve

1. Disconnect refrigerator from electric power supply.
2. Place end of water supply line into sink or bucket. Turn ON water supply and flush supply line until water is clear. Turn OFF water supply at shutoff valve.
3. Remove plastic cap from water valve inlet and discard cap.
4. Slide brass compression nut, then ferrule (sleeve), onto water supply line, as shown.
5. Push water supply line into water valve inlet as far as it will go (1/4 inch). Slide ferrule (sleeve) into valve inlet and finger tighten compression nut onto valve. Tighten another half turn with a wrench; DO NOT over tighten.
6. With steel clamp and screw, secure water supply line to rear panel of refrigerator at location as shown.
7. Coil excess water supply line (about 2 1/2 turns) behind refrigerator as shown and arrange coils so they do not vibrate or wear against any other surface.
8. Turn ON water supply at shutoff valve and tighten any connections that leak.
9. Reconnect refrigerator to electric power supply.
10. To turn ice maker on, lower wire signal arm. (See ice maker front cover for on/off position of arm.)

CAUTION

To Avoid Property Damage:

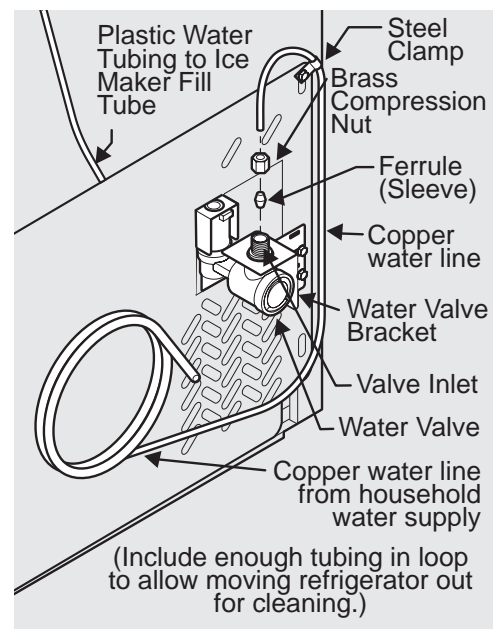
- Copper tubing is recommended for the water supply line. Water supply tubing made of 1/4 inch plastic should not be used since it greatly increases the potential for water leaks. The manufacturer will not be responsible for any damage if plastic tubing is used for the supply line.
- DO NOT install water supply tubing in areas where temperatures fall below freezing.
- If the water source uses a water softener, ensure that the softener is maintained and working properly. Chemicals from a malfunctioning softener can damage the ice maker.

NOTE

A water line kit is available from your appliance dealer at additional cost. It contains 25 feet (7.6 meters) of 1/4 inch OD copper tubing, a saddle type shutoff valve (non-piercing), (2) 1/4 inch brass compression nuts, (2) ferrules/sleeves, and instructions for installing a water supply line.

IMPORTANT

It takes approximately 24 hours for the ice maker to begin producing ice. Air in new plumbing lines may cause ice maker to cycle two or three times before making a full tray of ice. New plumbing may cause ice to be discolored or have poor flavor. Discard ice made during the first 24 hours.



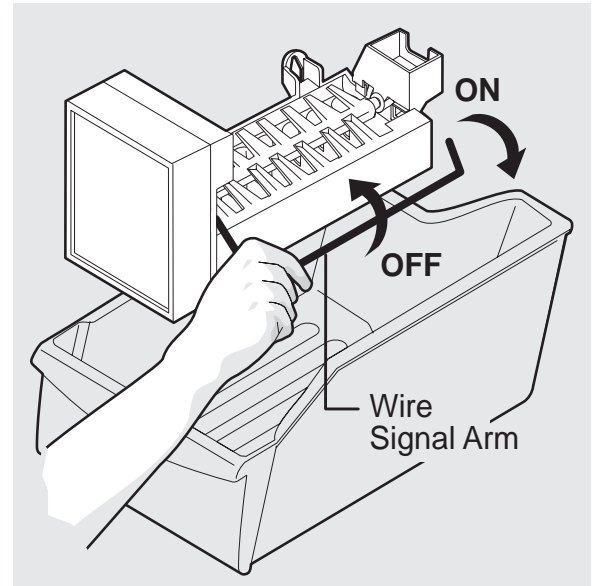
Automatic Ice Maker Tips

Remember that water quality determines your ice quality. If the water source uses a water softener, ensure that the softener is maintained and working properly. Chemicals from a malfunctioning softener can damage the ice maker.

To stop the ice maker, lift the wire signal arm until it clicks and locks in the "up" or OFF position. The ice maker turns off automatically when the ice container is full. If your model has an adjustable freezer shelf, place the shelf so the wire signal arm will hit the ice when the ice container is full.

Ice Maker Tips

- Ice stored too long may develop an odd flavor. Empty the container and be sure the wire signal arm is in its "down" or ON position. The ice maker will then produce more ice.
- Occasionally shake the container to keep ice separated.
- Keep the wire signal arm in its "up" or OFF position until the refrigerator is connected to the water supply or whenever the water supply is turned off.
- The following sounds are normal when the ice maker is operating.
 - Motor running
 - Ice loosening from tray
 - Ice dropping into ice container
 - Running water
 - Water valve opening or closing



CAUTION

Do Not place the ice container in your dishwasher.

- Wash ice container in warm water with mild detergent. Rinse well and dry.
- Stop the ice maker when cleaning the freezer or for short vacations.
- If the ice maker will be turned off for a long period of time, turn the water supply valve to the closed position.

FABRICADOR AUTOMÁTICO DE HIELO

INSTRUCCIONES DE INSTALACIÓN

ADVERTENCIA

El juego de la máquina de hielo debe ser instalado sólo por un técnico autorizado de servicio.

ADVERTENCIA

- Para evitar choques eléctricos, los cuales pueden causar la muerte o lesiones personales graves, desconecte el refrigerador del suministro eléctrico antes de conectar una tubería de suministro de agua al refrigerador.
- Conecte la máquina de hielo a un abastecimiento de agua potable sólo.

PRECAUCIÓN

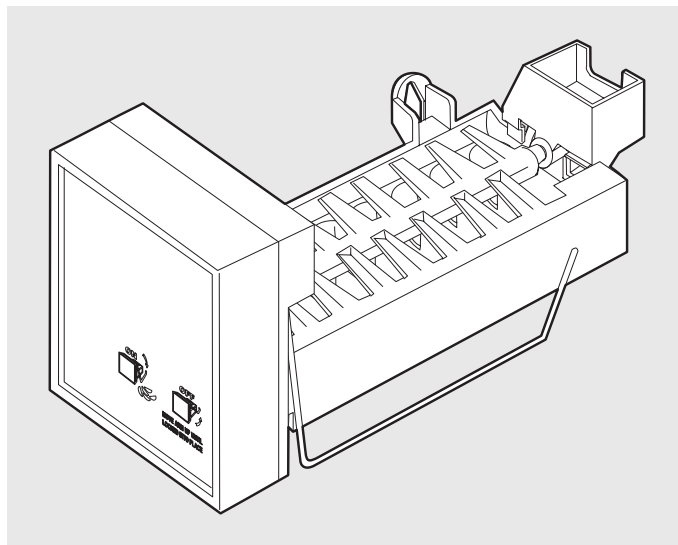
A fin de evitar daños a la propiedad:

- Se recomienda el uso de tuberías de cobre para el suministro de agua. Riegue tubería de suministro hecha de ¼ plástico de pulgada no debe ser utilizado desde que aumenta mucho el potencial para filtraciones de agua. El fabricante no se hace responsable por los daños causados si se utiliza una tubería de plástico para el suministro de agua.
- NO instale la tubería de suministro de agua en áreas donde las temperaturas puedan llegar a estar por debajo del nivel de congelación (es decir, 32°F / 0°C).
- Conecte el fabricante de hielo a una tubería de suministro de agua potable que no esté conectada a un suavizador de agua. Los químicos del suavizador pueden dañar el fabricante de hielo y causar fallas de funcionamiento.

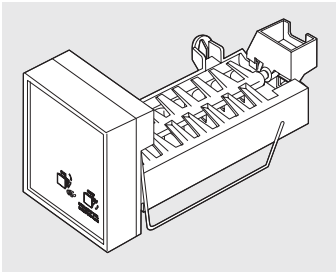
Se requieren las siguientes piezas para instalar el kit del fabricante de hielo.

- Tubería de ¼ de pulgada de cobre para el suministro de agua, con válvula de cierre
- Guarnición (manguito) y tuerca de compresión de latón de ¼ de pulgada
- Bandeja del congelador (algunos modelos no están equipados con bandejas). Si su modelo no la incluye, póngase en contacto con su proveedor para adquirir una.

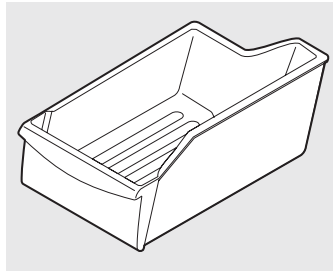
La tubería de cobre y la válvula de cierre pueden obtenerse como parte de un kit a través de su tienda de ferretería o plomería local. Forme un bucle de tubería lo suficientemente largo en la parte trasera de la unidad para permitir moverla con el fin de limpiarla.



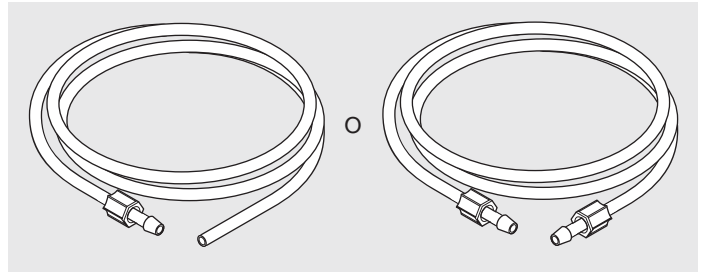
Use esta página para identificar las piezas



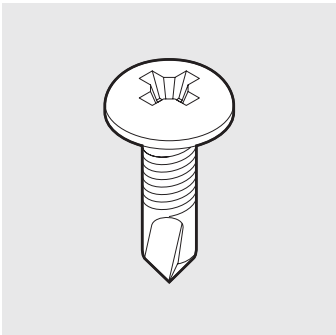
1. Fabricador de hielo



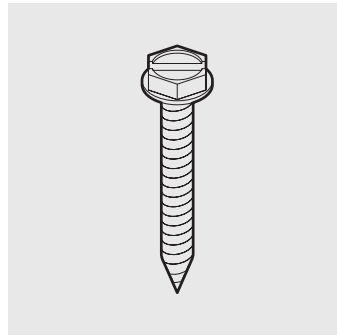
2. Depósito de hielo



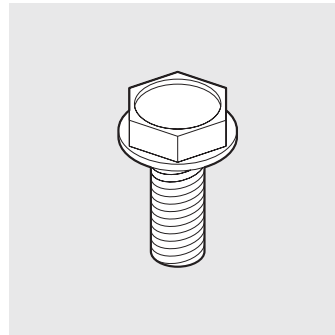
3. Tubería plástica de suministro del agua



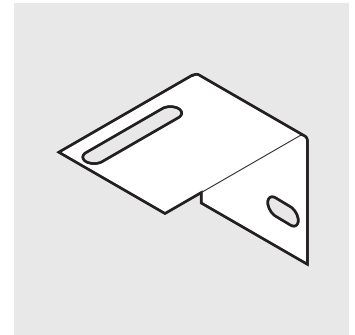
4. Tornillos (2 unidades)



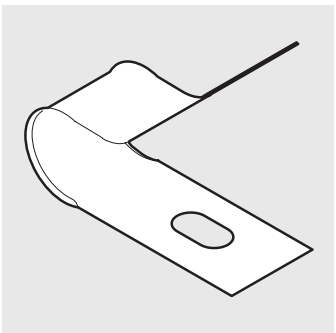
5. Tornillos (2 unidades)



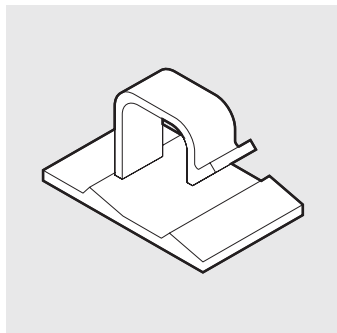
6. Tornillo del soporte de nivelación (1 unidad)



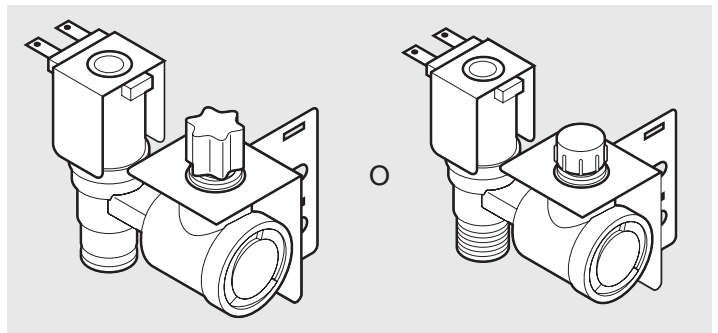
7. Soporte de nivelación (1 unidad)



8. Sujetador de acero (1 unidad)



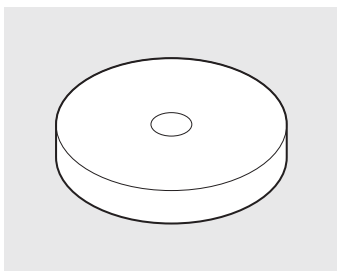
9. Sujetador de plástico (2 unidades)



10. Válvula de agua (1 unidad)



11. Tubería de entrada del agua (1 unidad)



12. Junta de tubería (1 unidad)

Herramientas necesarias:

- | | |
|--|--|
| • Cuchillo plástico para masilla | • Destornillador Phillips ^{MR} |
| • Llave de cubo de ¼ de pulgada o una llave para tuercas | • Pinzas de punta fina |
| • Llave ajustable | • Taladradora eléctrica con punta de destornillador Phillips ^{MR} |
| • Cuchillo pequeño de cocina | |

INSTALACIÓN DEL FABRICADOR DE HIELO

1. Desconecte el refrigerador del tomacorriente.
2. Retire el portabandejas de hielo del congelador (algunos modelos).
3. Retire el espaciador. Retire la bandeja del congelador (algunos modelos) presionándola hacia la izquierda hasta que su lado derecho se suelte de sus ranuras. A continuación, levántela lentamente y tire de ella hasta soltarla de las ranuras de la derecha.

NOTA

En el caso de algunos modelos, existen dos tapones a la izquierda del congelador que deben ser extraídos. Los agujeros correspondientes se utilizarán para montar el fabricante de hielo (1). (También existe un tapón en la parte trasera donde se insertará la tubería de entrada del agua (11).)

4. Utilice un cuchillo plástico para masilla para extraer los tapones del interior del congelador. (vea la Fig. 1.)
5. Para retirar la cubierta del conector de cableado, donde irá conectado el fabricante de hielo, desenrosque el tornillo de 1/4" de cabeza hexagonal. (vea la Fig. 1.)

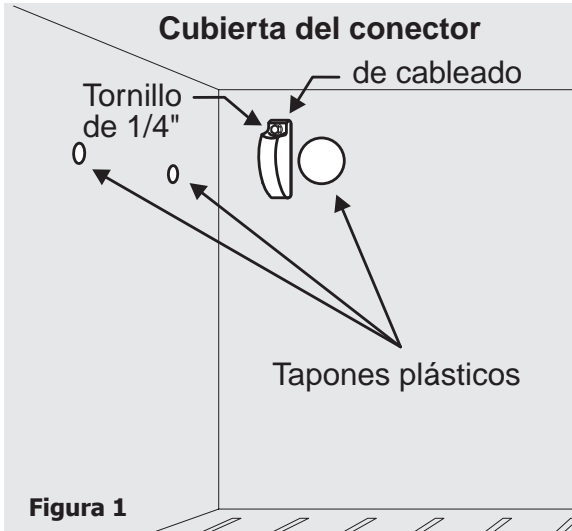


Figura 1

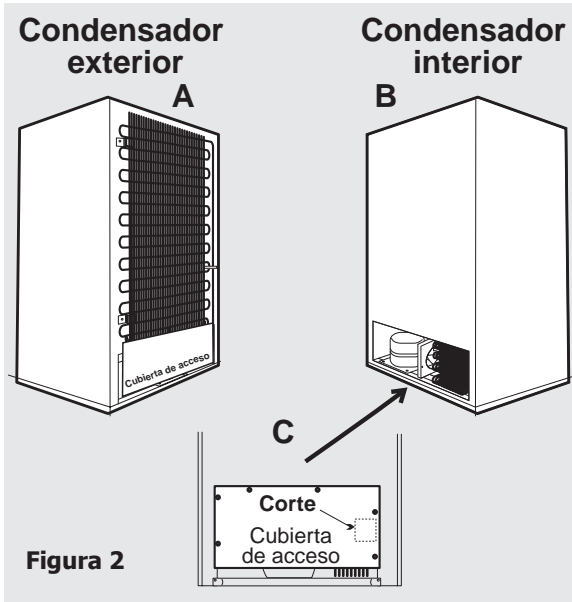


Figura 2

6. Extraiga los tornillos que sujetan la cubierta de acceso al gabinete. (Sólo para condensadores interiores, vea la figura 2C).

NOTA

Es posible que su refrigerador tenga un condensador exterior, como se muestra en la figura 2A, o bien un condensador interior, como se muestra en la figura 2B. Si su refrigerador tiene un condensador exterior, puede que sea necesario soltar los dos soportes del lado derecho del condensador. A continuación, puede extraer el condensador de la parte trasera del refrigerador lo suficiente para facilitar el acceso durante el proceso de instalación.

En la figura 2C se muestra la ubicación de los tornillos y el corte en la cubierta de acceso.

7. Utilice un cuchillo pequeño de cocina para cortar la etiqueta de instalación del fabricante de hielo por las líneas discontinuas; la etiqueta se encuentra en el panel trasero del refrigerador, en la esquina superior derecha. Vea la figura 3. Presione hacia dentro las aletas recortadas hasta que se adhieran a la unidad.

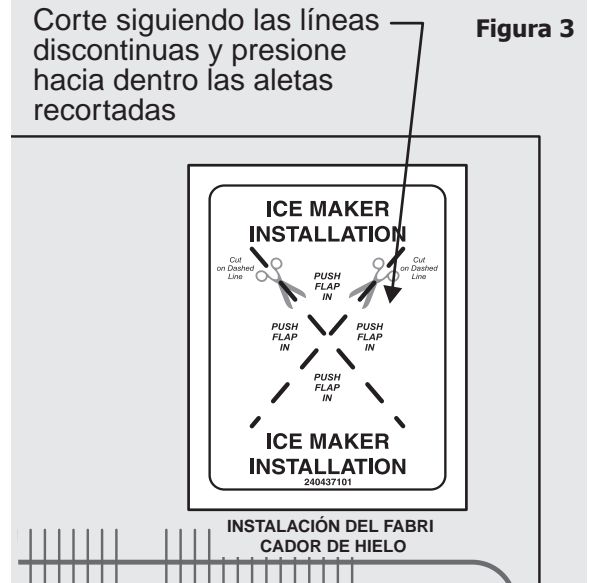


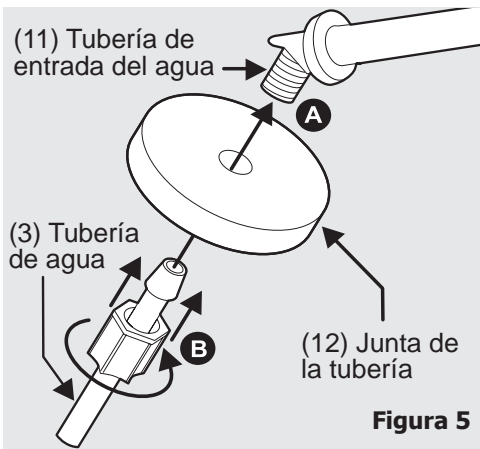
Figura 3

8. En caso necesario, retire la goma espuma que se encuentra en el agujero de acceso, utilizando las pinzas de punta fina.

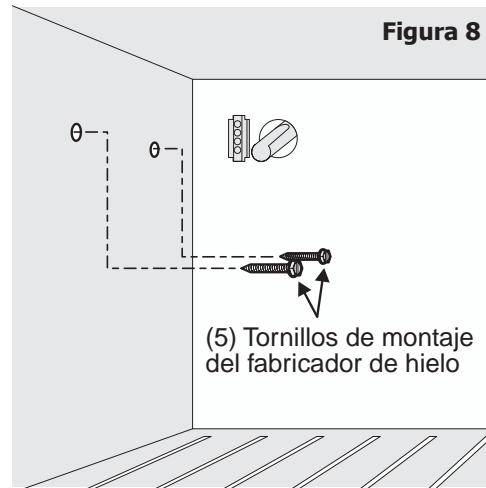


Figura 4

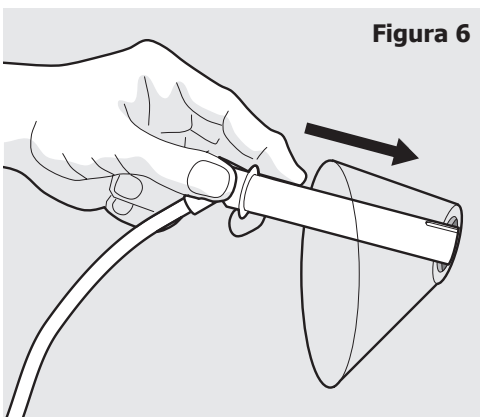
9. Inserte la junta de la tubería (12) en la rosca del tubo. Inserte la tubería plástica de suministro de agua (3) en la tubería de entrada del agua (11) hasta donde sea posible y enrosque y apriete con la mano la tuerca de compresión de nylon en el extremo roscado de la tubería de entrada. Apriete media vuelta más con una llave. **NO** apriete demasiado.



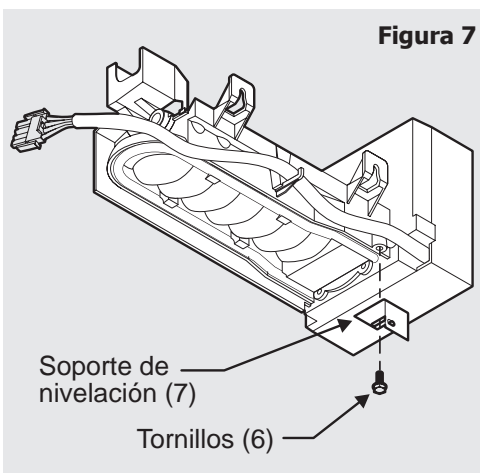
12. Inserte dos de los tornillos largos (5) en la pared del congelador, en los agujeros donde se encontraban los tapones que se extrajeron en el paso 4. Gire cada tornillo hacia la derecha cinco veces.



10. Inserte el tubo de entrada del agua (11) a través del agujero pequeño donde se encontraba la etiqueta de instalación. Gire el tubo mientras lo inserta hasta que la superficie plana del tubo de entrada quede apretada contra la parte trasera del refrigerador.



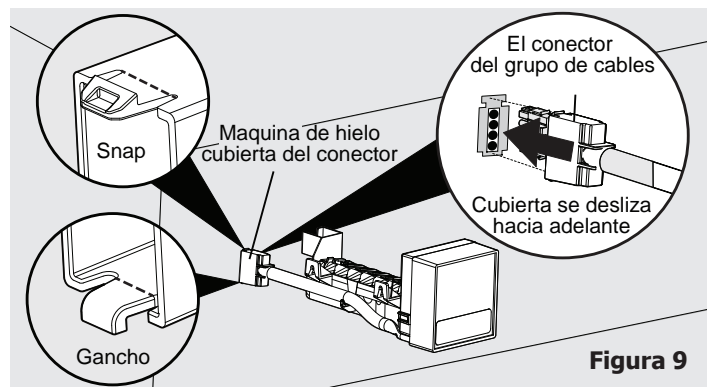
11. Instale el soporte de nivelación (7) en la parte inferior del fabricante de hielo (1) utilizando un tornillo (6). **NO** apriete demasiado. Más adelante deberá apretar completamente el tornillo.



NOTA

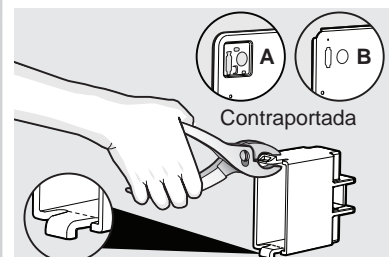
Se requiere utilizar ambas manos para enganchar y fijar el fabricante de hielo en la pared del congelador. **NO** deje que el fabricante de hielo cuelgue descontroladamente tras haber conectado el cableado al conector situado en la pared trasera del congelador.

13. Conecte alambros en el conector montado en el panel de atrás de congelador, sólo a la izquierda de donde el tubo de agua viene por. El conector de arreos es adaptado tan sólo quedará de un solo sentido. Luego, cobertura de conector de Máquina de hielo de resbaladero sobre conector, notando la orientación en la Figura 9. (Encaje a presión parte superior, el gancho en el fondo). La cobertura del conector de la máquina de hielo entonces puede ser chasqueada en el lugar en el panel de atrás o deslizado arriba apretado apoyar panel que depende de cuál versión de atrás panel que usted tiene (vea nota abajo). Entonces, monte Máquina de hielo a los dos tornillos (5) comenzó antes de Paso 12. (Vea figura 10.) Apriete tornillos. Asegúrese de tubo de cala de agua (11) se sienta adentro llena taza.

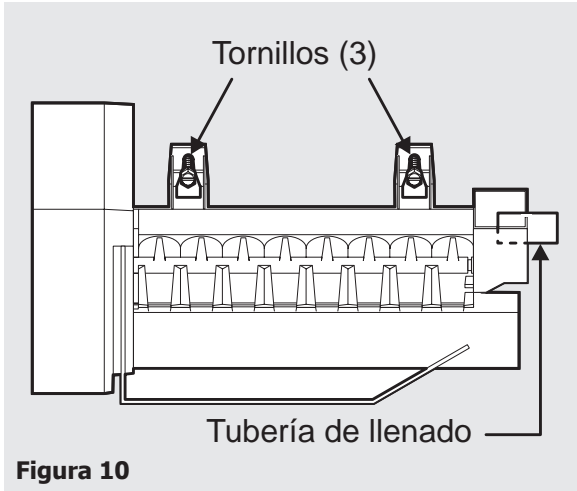


NOTA

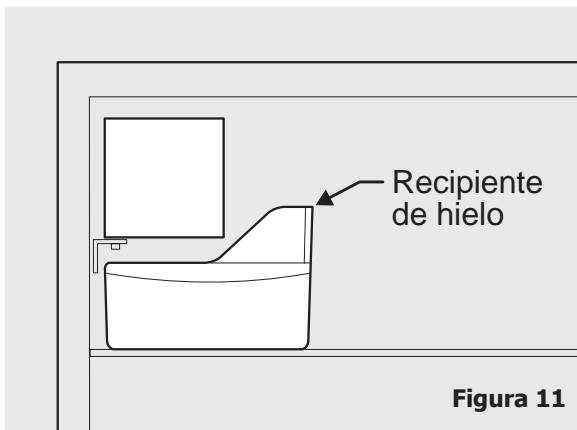
Si su contraportada se parece a (A) continúe a instalar máquina de hielo. Si su contraportada se parece a (B), interrupción del cierre y el gancho en alicates de utilizar de cobertura de conector, entonces continúe a instalar máquina de hielo.



14. Ajuste el soporte de nivelación (7) al fabricante de hielo (1). Cuando el espacio entre la pared del congelador y el fabricante de hielo sea el mismo en la parte superior y en la parte inferior, el fabricante estará nivelado. Apriete el tornillo (6) una vez que el fabricante quede nivelado.



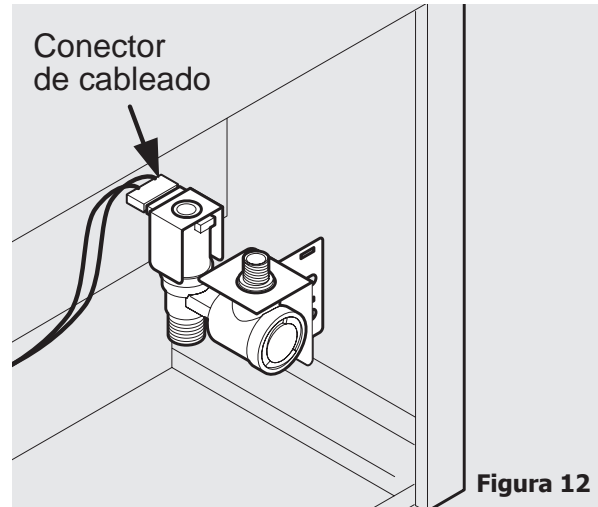
15. Reinstale la bandeja del congelador en la posición más baja. Ajuste el depósito de hielo (2) a la bandeja.



NOTA

Si el refrigerador tiene un condensador interior, se recomienda conectar la tubería plástica de suministro de agua y el conector de cableado a la válvula de agua antes de montar la válvula al panel trasero, debido a las limitaciones de espacio. Una vez montada la válvula, le resultará muy difícil introducir sus manos en este espacio para realizar las conexiones necesarias. Adicionalmente, es posible que la tubería de metal se deba apartar doblándola ligeramente, para que la válvula de agua encaje en el espacio. NO tuerza la tubería.

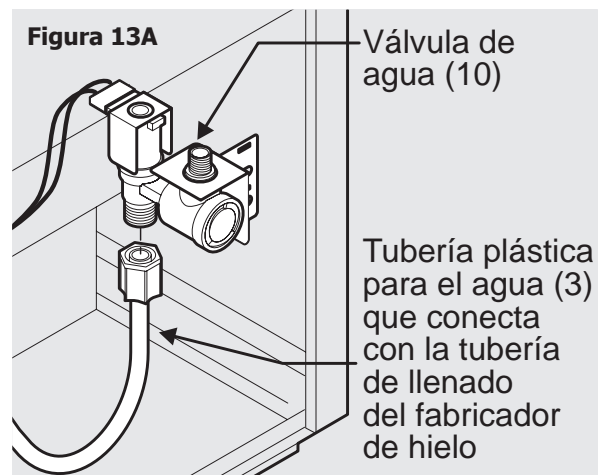
16. Conecte el conector de cableado a la válvula de agua. Asegúrese de que la conexión quede apretada.

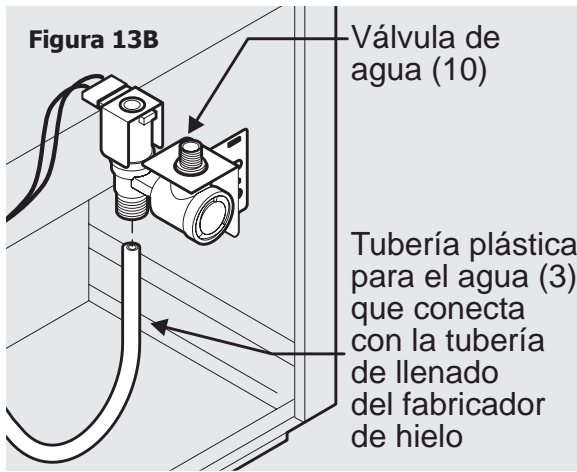


17. Este kit se puede utilizar con dos tipos de válvulas de agua. Siga las instrucciones que aplican al tipo de válvula suministrada con su kit. Vea las figuras 13A y 13B.

En el caso de válvulas con una toma roscada (figura 13A), empuje el extremo con forma de bala (cúpula) de la tubería verde hacia el interior de la válvula y apriete la tuerca de plástico (apriete con la mano). A continuación, apriete $\frac{1}{2}$ vuelta más con una llave. NO apriete demasiado.

En el caso de válvulas con una conexión a presión sin rosca (figura 13B), observe si la manguera verde tiene una pequeña marca de color negro cerca del extremo que no tiene el borde moldeado y la tuerca plástica. Si no hay ninguna marca, utilice una cinta métrica y un marcador para trazar una marca a $\frac{11}{16}$ de pulgada (1,75 cm) del extremo. La válvula se mantiene aislada (sellada) de la superficie exterior de la tubería mediante una junta tórica, así que asegúrese de que el extremo de la tubería está limpio y que no tiene ningún rasguño. Sujete la tubería justo por encima de la marca y empujela firmemente hacia el interior de la válvula, hasta que toque fondo. Si se empuja la tubería hasta el fondo apropiado, la marca quedará alineada con el extremo del acoplamiento de la válvula. Si la marca no queda alineada con el extremo del acoplamiento, esto indica que la tubería no se ha empujado lo suficiente hasta el fondo. Para retirar la tubería, empuje hacia adentro el anillo al extremo del acoplamiento mientras tira de la tubería hacia afuera.





18. Localice los agujeros perforados de fábrica situados en la esquina inferior derecha del panel trasero. Alinee el soporte de la válvula de agua a dichos agujeros. Es posible que tenga que doblar ligeramente la tubería de metal para que no estorbe. Utilice la taladradora eléctrica con una punta de destornillador Phillips® para insertar los tornillos autorroscantes (4) a través del soporte y el gabinete. (Si su refrigerador tiene un condensador interior, vea la NOTA a la izquierda.)

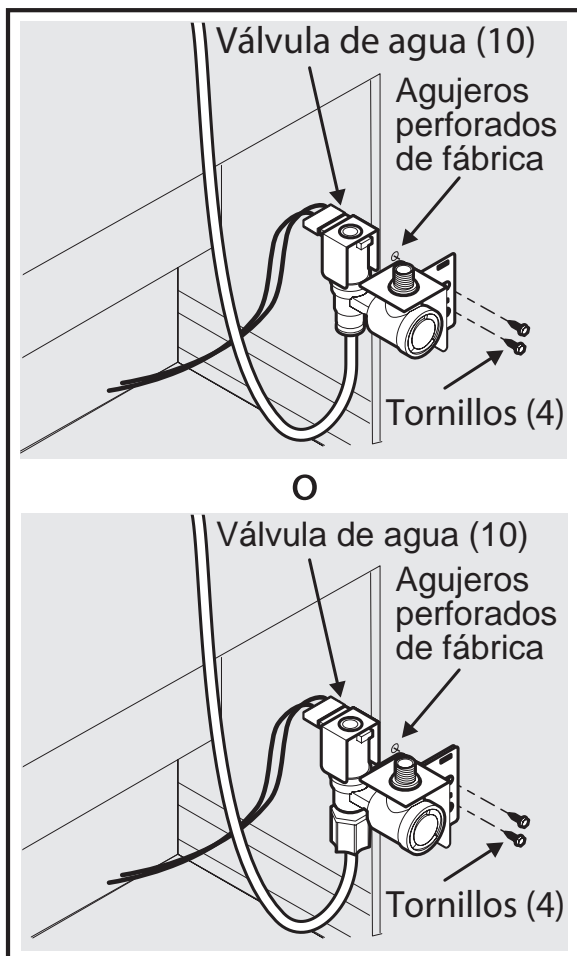
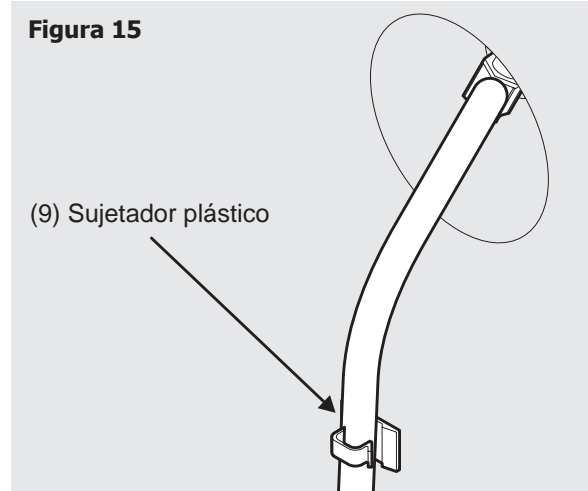


Figura 14

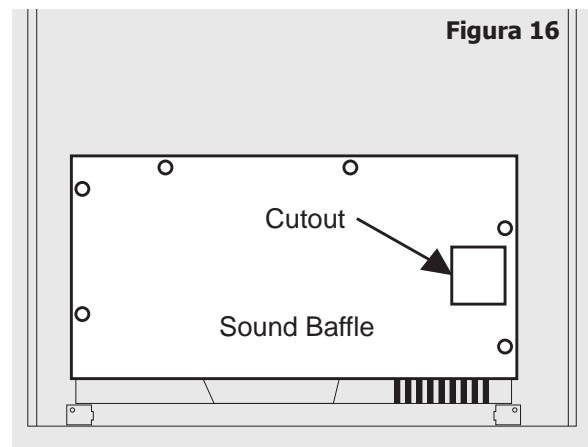
NOTA

Antes de fijar los sujetadores a la tubería de agua, limpie la parte trasera del gabinete con un limpiador comercial de uso doméstico, amoníaco o alcohol.

19. Fije la tubería plástica de agua a la parte trasera del gabinete con dos sujetadores plásticos (9).



20. Retire la parte recortada de la cubierta de acceso para dejar espacio para la válvula de agua. (Sólo modelos con condensador interior).



21. Vuelva a montar la cubierta de acceso (sólo modelos con condensador interior) y el condensador, en caso de haberlos desplazado debido a las limitaciones del espacio.

Conexión del fabricante de hielo al suministro de agua

ADVERTENCIA

El juego de la máquina de hielo debe ser instalado sólo por un técnico autorizado de servicio.

ADVERTENCIA

- Para evitar choques eléctricos, los cuales pueden causar la muerte o lesiones personales graves, desconecte el refrigerador del suministro eléctrico antes de conectar una tubería de suministro de agua al refrigerador.
- Conecte máquina de hielo a una fuente potable de la agua sólo.

IMPORTANTE

Asegúrese de que las conexiones de la tubería de suministro de agua cumplan con todos los códigos locales de plomería.

Antes de instalar la tubería de suministro de agua, necesitará lo siguiente:

- Herramientas básicas: llave ajustable, llave de tuercas de 1/4", destornillador Phillips^{MR}.
- Acceso a una tubería de agua fría de la vivienda con presión entre 30 y 100 psi.
- Una tubería de cobre de suministro de agua de 1/4" (6,4 mm) de diámetro externo. Para determinar la longitud de la tubería de cobre necesaria, deberá medir la distancia desde la válvula de admisión del fabricante de hielo en la parte trasera del refrigerador hasta la tubería de agua fría. Luego agregue aproximadamente 7 pies (2,1 m) de tubería para poder sacar el refrigerador para limpiarlo.
- Una válvula de cierre para conectar la tubería de suministro de agua al sistema de tuberías de la vivienda. NO use una válvula autopercutor.
- Una tuerca de compresión y una guarnición (manguito) para conectar la tubería de suministro de agua a la válvula de entrada del fabricante automático de hielo.

Para conectar la tubería de suministro de agua a la válvula de entrada del fabricante de hielo

1. Desconecte el refrigerador del suministro eléctrico.
2. Coloque el extremo de la tubería de suministro de agua en un fregadero o un cubo. ABRA el suministro de agua y limpie la tubería hasta que salga agua limpia. CIERRE el suministro de agua con la válvula de suministro.
3. Retire la tapa de plástico de la entrada de la válvula de agua y deje a un lado la tapa.
4. Deslice la tuerca de compresión de latón y la guarnición (manguito) en la tubería de suministro de agua, como se muestra.
5. Inserte la tubería de suministro de agua en la entrada de la válvula de agua tan adentro como sea posible (1/4 de pulgada o 0,64 cm). Deslice la guarnición (el manguito) en la entrada de la válvula y apriete con la mano la tuerca de compresión en la válvula. Apriete media vuelta adicional con una llave. NO apriete demasiado.
6. Con un sujetador de acero y un tornillo, fije la tubería de suministro de agua al panel trasero del refrigerador, en la ubicación que se muestra en la figura.
7. Enrolle en forma de bucle (aproximadamente 2 1/2 vueltas) la tubería de suministro de agua detrás del refrigerador, como se muestra, colocándola de forma que no cause ninguna vibración o desgaste de las superficies cercanas.
8. ABRA la válvula de suministro de agua y apriete cualquier conexión que cause escapes de agua.
9. Vuelva a conectar el refrigerador al suministro eléctrico.
10. Para encender el fabricante de hielo, baje el brazo de alambre. (Para saber cómo utilizar el brazo para encender/apagar el fabricante de hielo, vea la cubierta delantera del mismo).

PRECAUCIÓN

A fin de evitar daños a la propiedad:

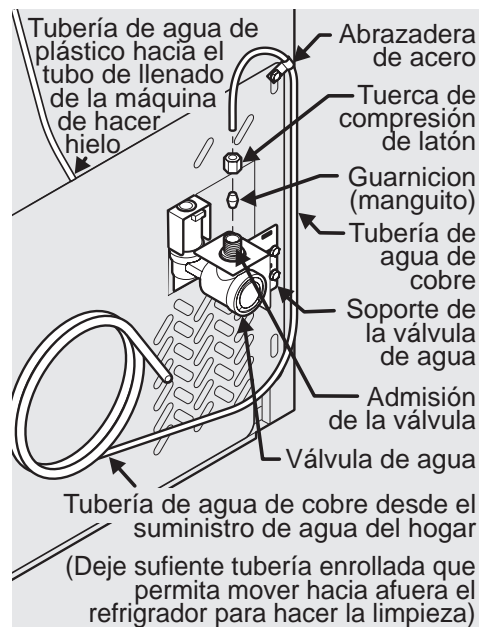
- Se recomienda el uso de tuberías de cobre para el suministro de agua. Riegar tubería de suministro hecha de 1/4 pulgada de plástico no debe ser utilizado desde que aumenta mucho el potencial para filtraciones de agua. El fabricante no se hace responsable de cualquier daño que ocurra si se usa una tubería de plástico para el suministro de agua.
- NO instale la tubería de suministro de agua en áreas donde las temperaturas puedan llegar a estar por debajo del nivel de congelación (32°F o 0°C).
- Conecte el fabricante de hielo a una tubería de suministro de agua potable que no esté conectada a un suavizador de agua. Las sustancias químicas del suavizador pueden dañar el fabricante de hielo y causar fallas de funcionamiento.

NOTA

Puede adquirir un kit de tubería de agua por un costo adicional en su proveedor local de electrodomésticos. Contiene 25 pies (7.6 metros) de tubería de cobre con diámetro interno de 1/4 de pulgada, una válvula de cierre de tipo asiento (no autopercutor), (2) tuercas de compresión de latón de 1/4 de pulgada, (2) guarniciones (manguitos) e instrucciones para la instalación de la tubería de suministro de agua.

IMPORTANTE

El fabricante comience a producir hielo. El aire presente en las tuberías de agua puede hacer que el fabricante de hielo pase por dos o tres ciclos antes de fabricar una cantidad completa de hielo. La tubería nueva puede hacer que el hielo quede descolorido o con mal sabor. Deseche el hielo producido durante las primeras 24 horas.



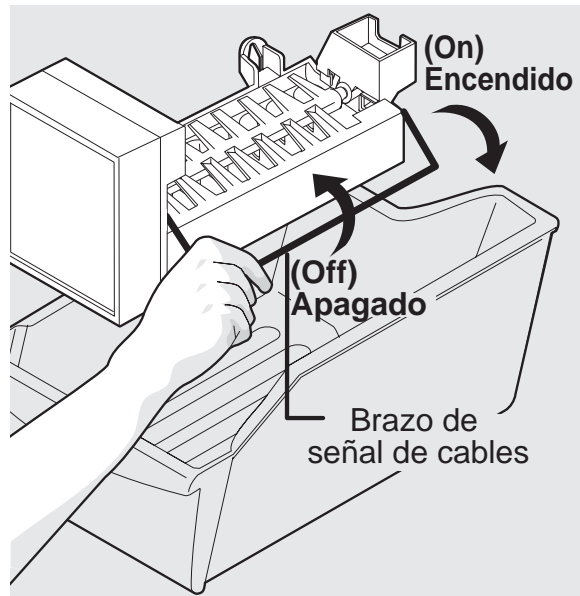
Sugerencias para el fabricante automático de hielo

Recuerde que la calidad del agua determina la calidad del hielo. No conecte el fabricante de hielo a un suministro de agua con sistema suavizador. Las sustancias químicas provenientes de un suavizador de agua defectuoso pueden dañar el fabricante de hielo.

Para apagar el fabricante de hielo, levante el brazo de alambre hasta que se bloquee en la posición superior o "APAGADO". El fabricante de hielo también se apaga automáticamente cuando se llena el depósito de hielo. Si su modelo cuenta con una bandeja ajustable para congelador, colóquela de modo que el brazo de alambre haga contacto con el hielo una vez que el depósito esté lleno.

Sugerencias para el fabricante de hielo

- El hielo almacenado durante un tiempo prolongado puede adquirir un sabor extraño. Vacíe el depósito de hielo y asegúrese de que el brazo de alambre esté en la posición inferior o "ENCENDIDO". El fabricante de hielo producirá más hielo
- Sacuda ocasionalmente el depósito del hielo para mantener separados los cubos de hielo.
- Mantenga el brazo de alambre en la posición superior o "APAGADO" hasta que el refrigerador sea conectado al suministro de agua o cada vez que cierre el suministro de agua.
- Los siguientes sonidos son normales cuando el fabricante de hielo está en funcionamiento.
 - Motor en funcionamiento
 - El hielo que se suelta de la bandeja
 - El hielo al caer en el depósito de hielo
 - Agua que fluye
 - Apertura o cierre de la válvula de agua



PRECAUCIÓN

No lave el depósito de hielo en el lavavajillas.

- Lávelo a mano en agua tibia con detergente suave. Enjuague bien y seque.
- Apague el fabricante de hielo cuando limpie el congelador o durante los períodos de vacaciones.
- Si el fabricante de hielo va a permanecer apagado durante un período prolongado de tiempo, cierre la válvula de suministro de agua.

MACHINE À GLAÇONS AUTOMATIQUE

INSTRUCTIONS D'INSTALLATION

AVERTISSEMENT

La trousse de distributeur de glaçons devrait être seulement installée par un technicien d'entretien autorisé.

AVERTISSEMENT

- Pour éviter un choc électrique qui pourrait causer de graves blessures ou même la mort, coupez l'alimentation électrique du réfrigérateur avant de le raccorder à l'alimentation en eau.
- Connecter le distributeur de glaçons à une source d'eau potable seulement.

ATTENTION

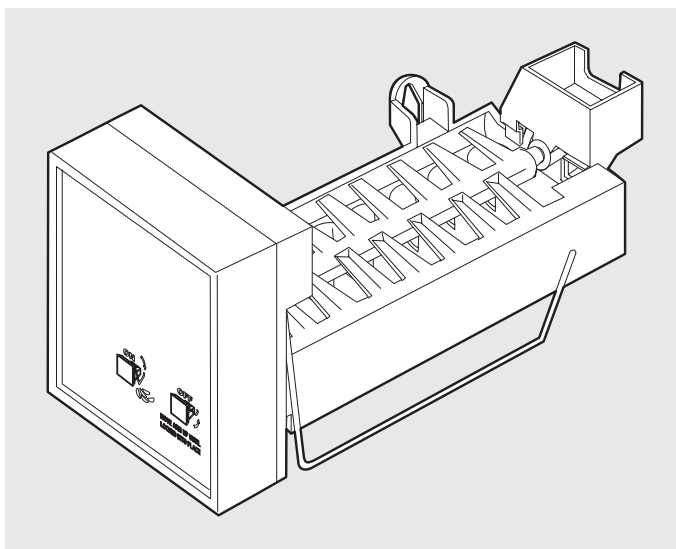
Pour éviter des dommages matériels :

- Il est recommandé d'utiliser une conduite en cuivre pour l'alimentation en eau. Arroser les tuyaux de provision faits de ¼ le plastique de pouce ne devrait pas être utilisé puisque il augmente fort le potentiel pour les fuites d'eau. Le fabricant n'est pas responsable des dommages causés par l'utilisation d'un tuyau en plastique pour l'alimentation en eau.
- N'INSTALLEZ PAS un tuyau d'alimentation en eau en plastique dans les régions où les températures descendent sous le point de congélation.
- Raccordez la machine à glaçons à une source d'eau potable qui n'est pas reliée à un système d'adoucisseur d'eau. Les produits chimiques provenant d'un adoucisseur d'eau peuvent endommager la machine à glaçons et entraîner son mauvais fonctionnement.

Les articles suivants seront requis durant l'installation de l'ensemble de machine à glaçons.

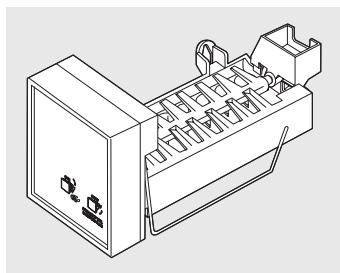
- Conduite d'alimentation en eau en cuivre de 6,4 mm (¼ po) munie d'un robinet d'arrêt manuel.
- Écrou et bague à compression en laiton de 6,4 mm (¼ po).
- Clayette de congélateur (certains modèles n'en possèdent pas). Si votre modèle n'en possède pas, communiquez avec votre fournisseur pour en commander une.

La conduite en cuivre et le robinet d'arrêt manuel peuvent être achetés dans une quincaillerie ou dans un magasin de plomberie de votre région. Prévoyez une longueur suffisante de conduite à l'arrière de l'appareil pour permettre d'effectuer l'entretien.

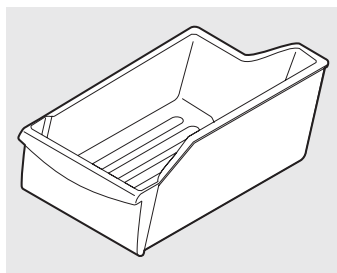


PIÈCE N° : 240394908

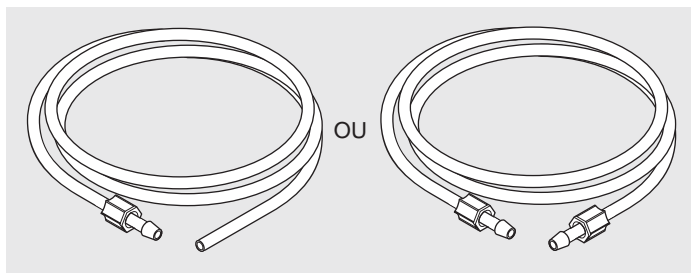
Servez-vous de cette page pour repérer les pièces



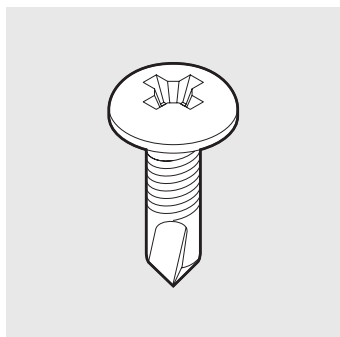
1. Machine à glaçons



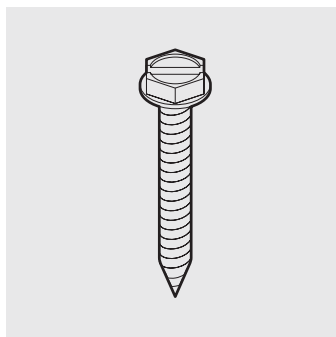
2. Bac à glaçons



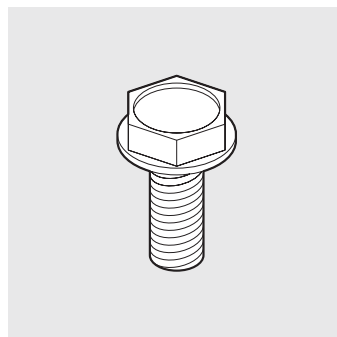
3. Tuyau d'alimentation en eau en plastique



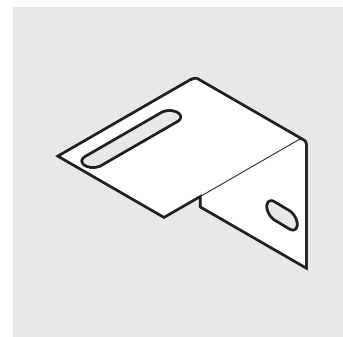
4. Vis - Qté 2



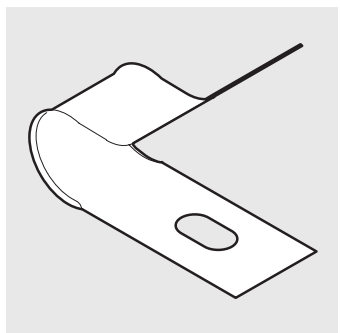
5. Vis - Qté 2



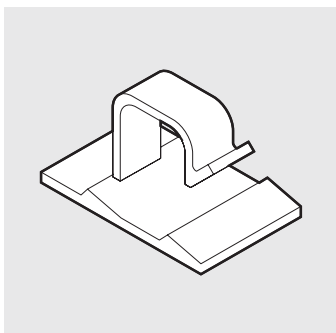
6. Vis du support de mise à niveau - Qté 1



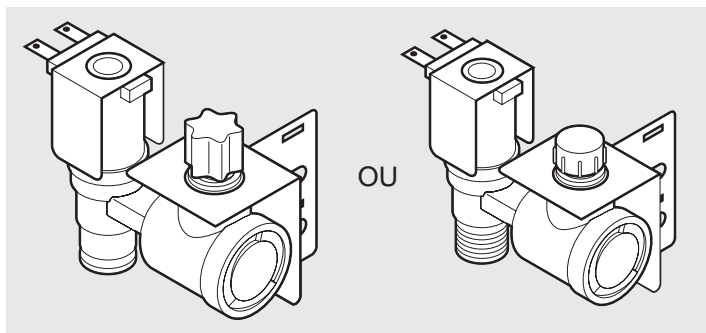
7. Support de mise à niveau - Qté 1



8. Collier en acier - Qté 1



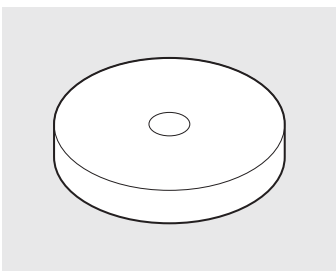
9. Collier en plastique - Qté 2



10. Robinet d'eau - Qté 1



11. Tuyau d'arrivée d'eau - Qté 1



12. Joint de tuyau - Qté 1

Outils nécessaires:

- | | |
|---|--|
| • Couteau à mastiquer en plastique | • Tournevis PhillipsMC |
| • Clé ou tournevis à douille de 0,6 cm (1/4 po) | • Pince à bec effilé |
| • Clé à molette | • Perceuse électrique munie d'une mèche PhillipsMC |
| • Petit couteau de cuisine | |

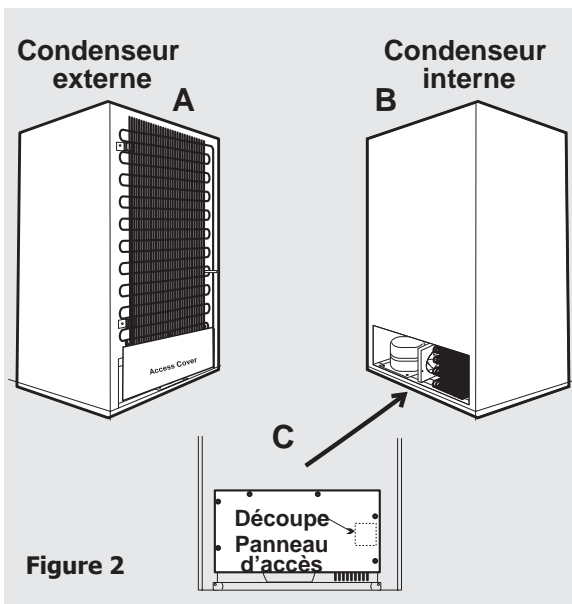
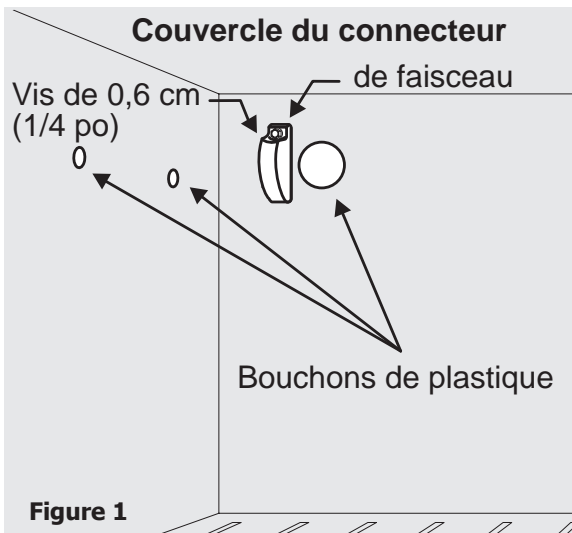
ICE MAKER INSTALLATION INSTRUCTIONS

1. Débranchez le réfrigérateur de la prise électrique.
2. Enlevez le support du moule à glaçons du congélateur (sur certains modèles seulement).
3. Retirez l'espaceur. Enlevez la clayette du congélateur (sur certains modèles seulement) en la poussant vers la gauche, jusqu'à ce que son côté droit sorte des trous. Ensuite, soulevez lentement la clayette et tirez dessus pour la libérer des trous qui se trouvent du côté droit.

REMARQUE

Certains modèles possèdent deux bouchons qui doivent être enlevés de la paroi gauche du congélateur. Ces trous serviront à l'installation de la machine à glaçons (1). (Il y a aussi un bouchon dans la paroi arrière du congélateur qui marque l'endroit où sera inséré le tuyau d'arrivée d'eau (11).)

4. Utilisez un couteau à mastiquer en plastique pour enlever les bouchons qui se trouvent dans le compartiment congélateur. (Voir la figure 1.)
5. Enlevez le couvercle du faisceau de fils situé à l'endroit où la machine à glaçons sera branchée, en retirant la vis à tête hexagonale de 6,4 mm (1/4 po). (Voir la figure 1.)

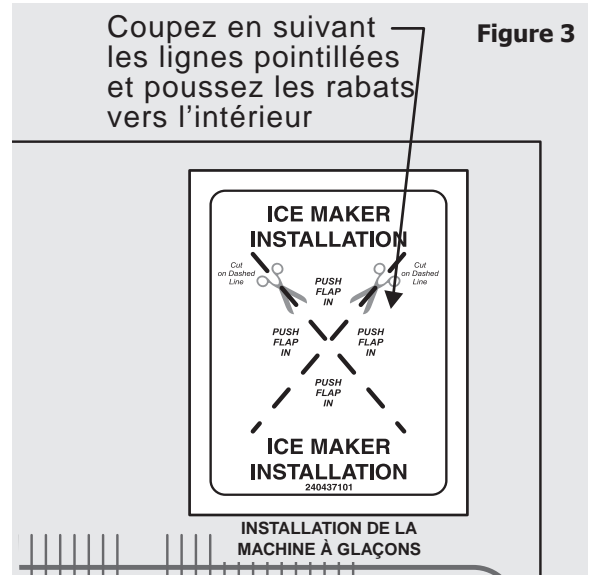


REMARQUE

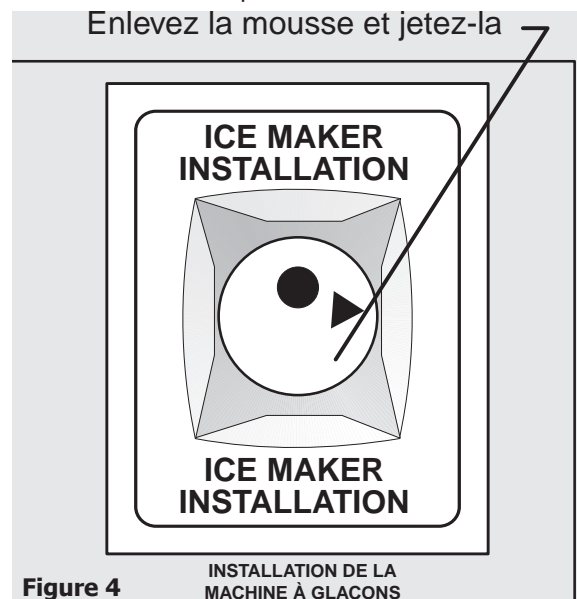
Votre réfrigérateur est muni d'un condenseur externe, comme sur la figure 2A, ou d'un condenseur interne, comme sur la figure 2B. S'il est muni d'un condenseur externe, il se peut que vous deviez desserrer les deux supports de montage situés à la droite du condenseur. De cette façon, le condenseur pourra être suffisamment éloigné de l'arrière du réfrigérateur, ce qui facilitera l'installation de la machine à glaçons.

La figure 2C montre l'emplacement des vis et de la découpe du panneau d'accès.

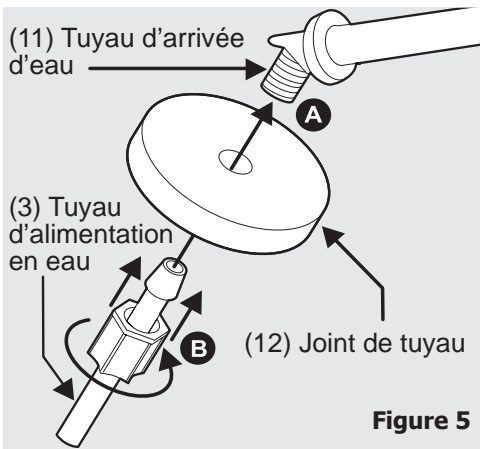
6. Enlevez les vis qui retiennent le panneau d'accès à la caisse. (Dans le cas des réfrigérateurs munis d'un condenseur interne seulement - reportez-vous à la figure 2C.)
7. Utilisez un petit couteau de cuisine pour couper l'étiquette « Ice Maker Installation » qui se trouve dans le coin supérieur droit du panneau arrière extérieur du réfrigérateur, en suivant les lignes pointillées. Reportez-vous à la figure 3. Poussez les rabats de l'étiquette vers l'intérieur jusqu'à ce qu'ils collent à l'appareil.



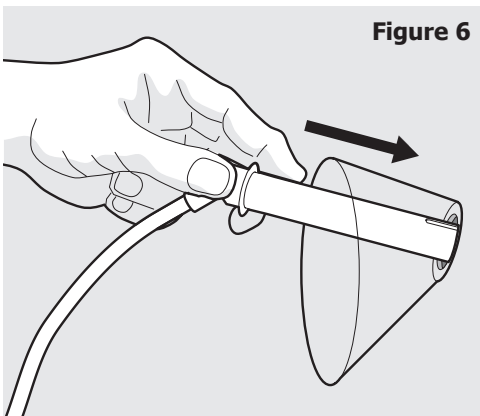
8. Au besoin, enlevez la mousse qui se trouve à l'intérieur du trou d'accès à l'aide de pince à bec effilé.



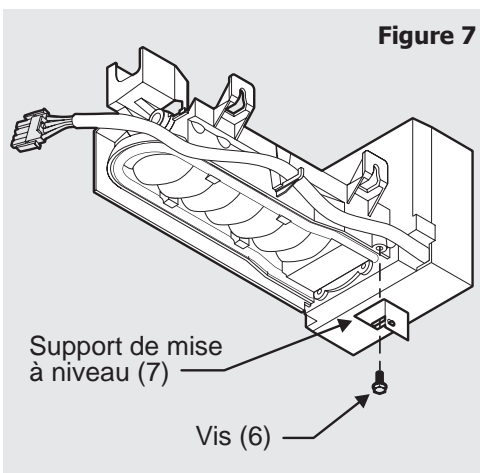
9. Vissez le joint de tuyau (12) sur les filets. Insérez le tuyau d'alimentation en eau en plastique (3) dans le tuyau d'arrivée d'eau (11) aussi profondément que possible et serrez avec vos doigts l'écrou à compression en nylon sur l'extrémité fileté du tuyau d'arrivée. Serrez d'un autre demi-tour à l'aide d'une clé. **NE SERREZ PAS** trop.



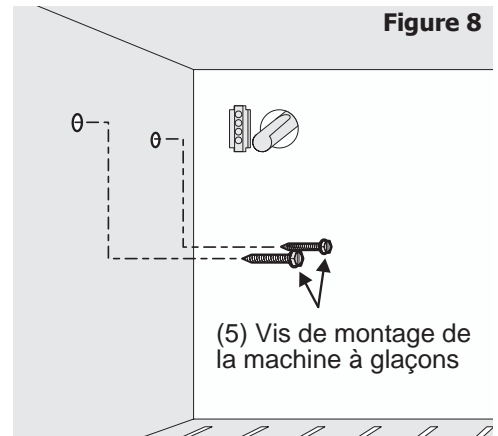
10. Insérez le tuyau d'arrivée d'eau (11) dans le petit trou où se trouvait l'étiquette « Ice Maker Installation ». Lorsque vous l'insérez, faites tourner le tuyau d'arrivée jusqu'à ce que sa surface plane soit bien serrée contre l'arrière du réfrigérateur.



11. Installez le support de mise à niveau réglable (7) sur la partie inférieure de la machine à glaçons (1) à l'aide de la vis (6). **NE SERREZ PAS** le support. Vous pourrez le serrer plus tard au cours de l'installation.



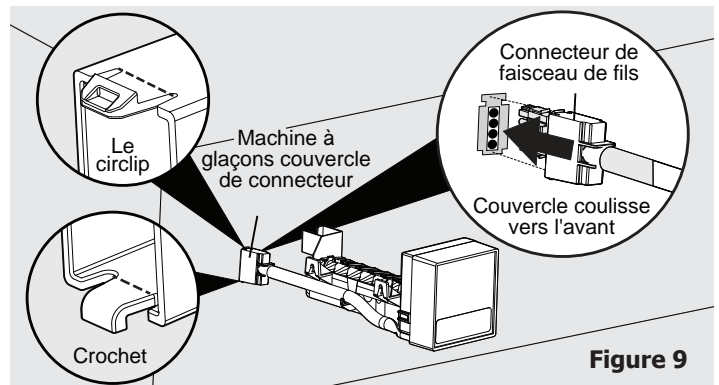
12. Commencez à insérer les deux longues vis de montage (5) de la machine à glaçons dans la paroi du congélateur à l'endroit où les bouchons ont été enlevés à l'étape 4. Faites faire cinq tours à chaque vis dans le sens des aiguilles d'une montre.



REMARQUE

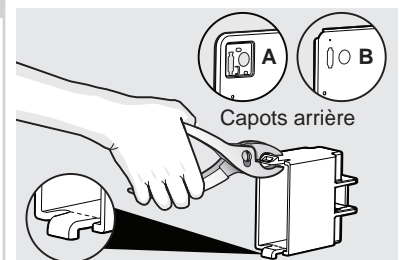
Il est nécessaire d'utiliser vos deux mains pour installer et fixer la machine à glaçons à la paroi du congélateur. **NE LAISSEZ PAS** la machine à glaçons pendre après avoir branché le faisceau de fils au connecteur qui se trouve sur la paroi arrière du congélateur.

13. Connecter télégraphiant le harnais dans le connecteur monté sur le panneau de congélateur arrière, juste à la gauche d'où le tube d'arrivée d'eau vient passé. Le connecteur de harnais est si saisi il ajustera seulement à sens unique. Après, glisser la couverture de connecteur de Distributeur de Glaçons sur le connecteur, notant l'orientation dans la Figure 9. (Le fermoir sur le sommet, le crochet sur le fond). La couverture de connecteur de distributeur de Glaçons peut être fait rentrer alors dans le panneau arrière ou a glissé sur tendu pour soutenir le panneau qui dépend de lequel version de de retour panneau que vous avez (voit la note au dessous). Alors, monter Distributeur de Glaçons aux deux vis (5) vous avez commencé plus tôt d'Etape 12. (Voir la figure 10.) Resserrer des vis. Assurer du tube d'arrivée d'eau (11) s'assied à l'intérieur remplit la tasse.

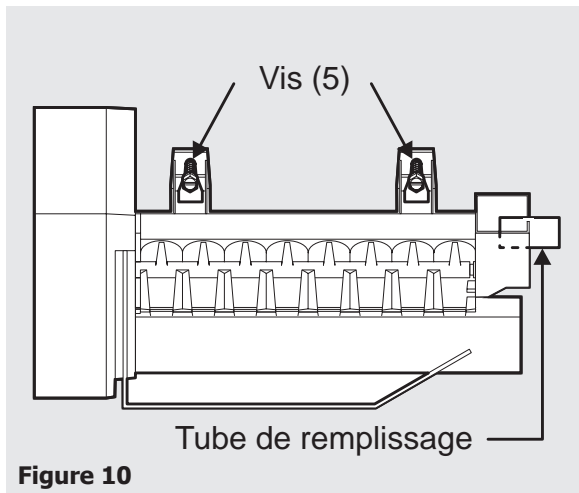


NOTE

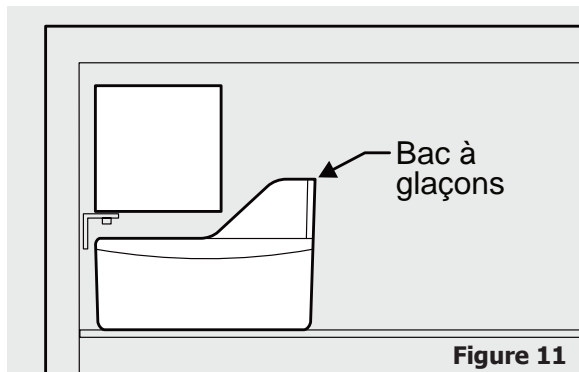
Si votre couvercle arrière a l'air de (A) les bénéficés à l'installation de distributeur de glaçons. Si votre couvercle arrière a l'air de (B), la coupure du fermoir et le crochet sur les pinces d'utilisation de couverture de connecteur, alors procéder à l'installation de distributeur de glaçons.



14. Réglez le support de mise à niveau (7) sur la machine à glaçons (1). La machine à glaçons est au niveau lorsque l'espace entre la paroi du congélateur et la machine à glaçons est le même en haut et en bas. Serrez la vis (6) lorsque la machine à glaçons est au niveau.



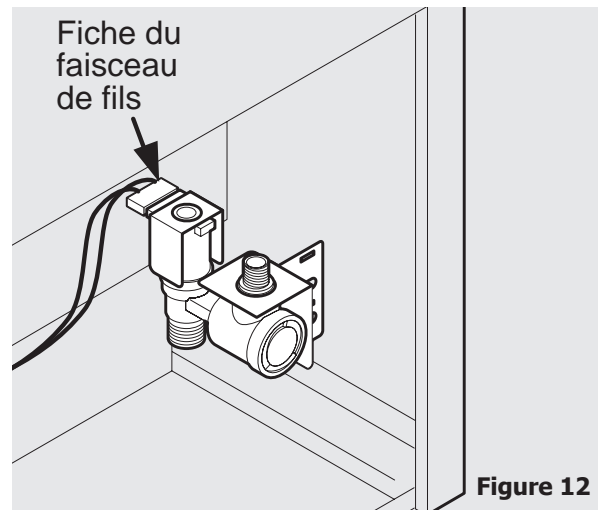
15. Réinstallez la clayette du congélateur à la position inférieure. Mettez le bac à glaçons (2) sur la clayette.



REMARQUE

Si votre réfrigérateur est muni d'un condenseur interne, il est recommandé de raccorder le tuyau d'alimentation en eau en plastique et le faisceau de fils au robinet d'eau avant d'installer le robinet au panneau arrière en raison des contraintes d'espaces. Une fois que le robinet est monté, il est très difficile d'atteindre cet endroit avec les mains pour effectuer les raccordements nécessaires. De plus, il se peut que vous deviez plier légèrement le tube en métal pour créer l'espace nécessaire à l'installation du robinet d'eau. Ne le pliez pas trop.

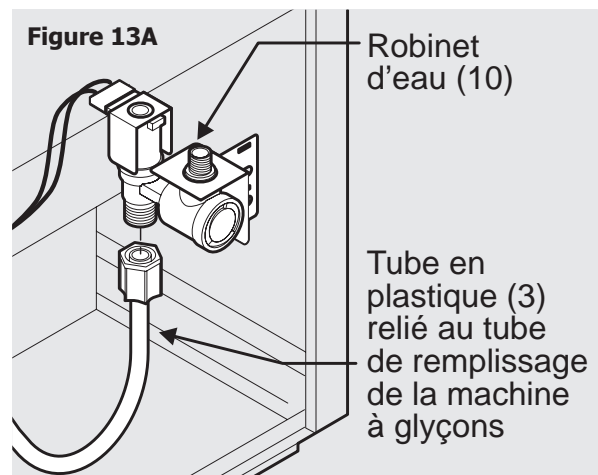
16. Branchez le faisceau de fils au robinet d'eau. Assurez-vous que le faisceau est bien branché.

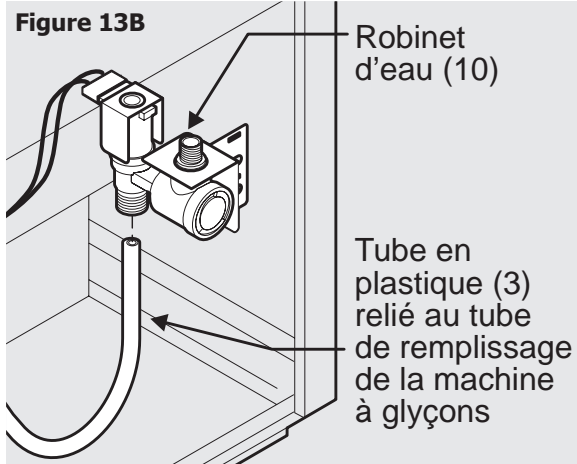


17. Deux types de robinets d'eau sont utilisés avec ce nécessaire. Suivez les instructions qui s'appliquent au type de robinet fourni avec votre nécessaire. Reportez-vous aux figures 13A et 13B.

Pour les robinets munis d'une sortie fileté (figure 13A), enfoncez l'extrémité cylindrique du tube vert dans le robinet, puis serrez l'écrou en plastique (avec les doigts). Ensuite, serrez l'écrou d'un autre demi-tour à l'aide d'une clé. Ne serrez pas trop.

Pour les robinets sans filetage munis d'un raccord à enfoncer (figure 13B), vérifiez si le tube vert possède une petite marque noire près de son extrémité lorsque l'embout moulé et l'écrou en plastique ne sont pas installés. S'il n'y a pas de marque, utilisez un ruban à mesurer et un marqueur pour en faire une à 1,7 cm (11/16 po) de l'extrémité du tube. L'étanchéité du raccord entre le robinet et la paroi externe du tube étant assurée par un joint torique, assurez-vous que l'extrémité du tube est propre et ne présente aucune égratignure. Tenez le tube juste au-dessus de la marque et enfoncez-le fermement dans le robinet jusqu'à ce qu'il atteigne le fond. Lorsque le tube est enfoncé à la bonne profondeur, la marque du tube est alignée sur l'extrémité du raccord du robinet. Si la marque n'est pas à la même hauteur que l'extrémité du raccord du robinet, cela signifie que le tube n'est pas bien enfoncé. Pour retirer le tube, appuyez sur la bague se trouvant à l'extrémité du raccord tout en tirant sur le tube.





18. Repérez les trous percés à l'usine situés dans le coin inférieur droit du panneau arrière. Alignez le support du robinet d'eau sur les trous percés à l'usine. Il se peut que vous deviez plier légèrement le tube en métal pour libérer l'espace. Utilisez une perceuse électrique munie d'une mèche PhillipsMD pour insérer deux vis autotaraudeuses (4) dans le support et la caisse. (Reportez-vous à la remarque ci-contre si votre réfrigérateur est muni d'un condenseur interne.)

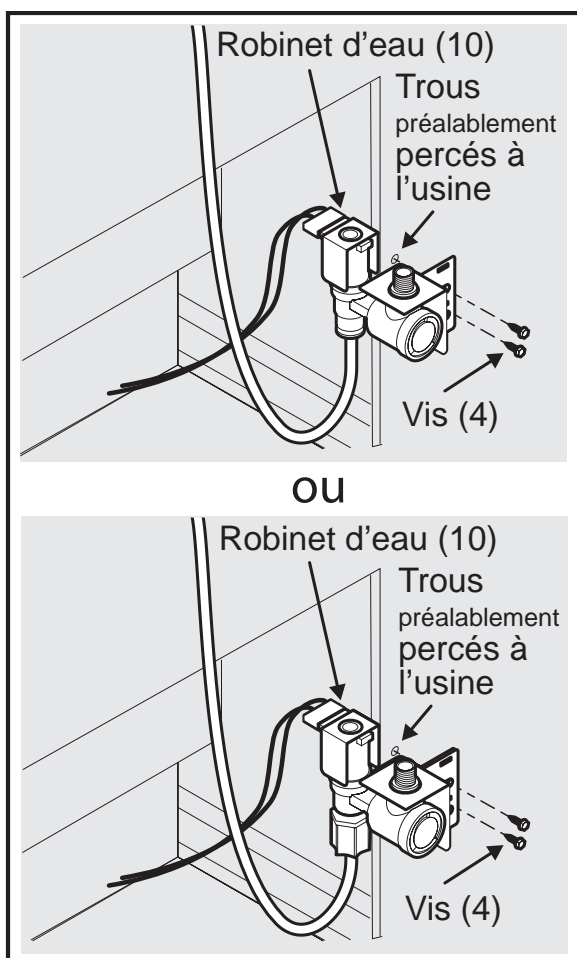
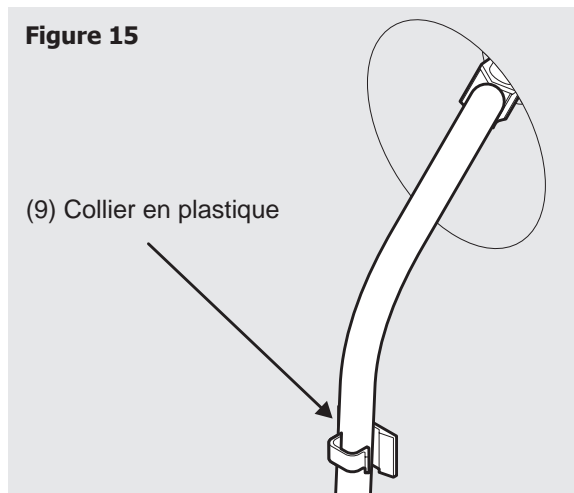


Figure 14

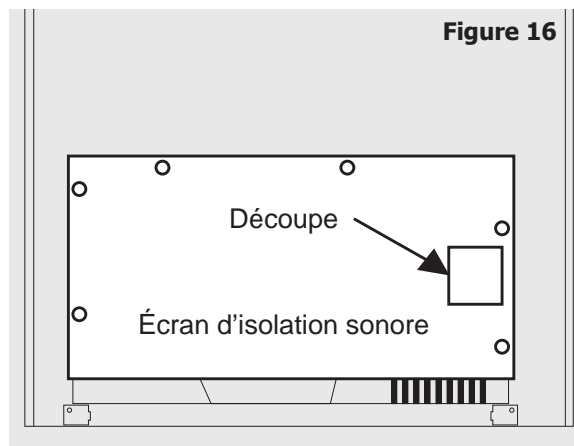
REMARQUE

Nettoyez l'arrière de la caisse avec un nettoyant ménager commercial, de l'ammo-niaque ou de l'alcool avant de mettre les colliers en plastique sur le tuyau d'alimentation en eau..

19. Fixez le tuyau d'alimentation en eau en plastique à l'arrière de la caisse au moyen des deux colliers en plastique (9).



20. Poussez la découpe du panneau d'accès vers l'extérieur pour permettre d'insérer le robinet. (Cette étape n'est nécessaire que sur les modèles munis d'un condenseur interne.)



21. Remettez le panneau d'accès (sur les modèles munis d'un condenseur interne seulement) ainsi que le condenseur en place, si ce dernier a dû être enlevé en raison d'un manque d'espace.

Raccordement de la machine à glaçons à l'alimentation en eau



AVERTISSEMENT

La trousse de distributeur de glaçons devrait être seulement installée par un technicien d'entretien autorisé.



AVERTISSEMENT

Pour éviter un choc électrique qui pourrait causer de graves blessures ou même la mort, coupez l'alimentation électrique du réfrigérateur avant de le raccorder à l'alimentation en eau. Connecter le distributeur de glaçons à une source d'eau potable seulement.



IMPORTANT

Assurez-vous que l'alimentation en eau est conforme aux codes de plomberie locaux.

Avant d'installer l'alimentation en eau, vous aurez besoin :

- Outils de base : clé à molette, tournevis à douille de 0,6 cm (1/4 po) et tournevis Phillips^{MC}.
- Un accès à une canalisation d'eau froide domestique d'une pression qui se situe entre 30 et 100 lb/po² (137,9 kPa et 827,3 kPa).
- Une conduite en cuivre pour l'alimentation en eau d'un diamètre extérieur de 6,4 mm (1/4 po). Pour déterminer la longueur de conduite de cuivre nécessaire, vous devez mesurer la distance qui sépare l'arrivée du robinet d'eau de la machine à glaçons située à l'arrière du réfrigérateur et le tuyau d'eau froide. Puis, ajoutez approximativement 2,1 mètres (7 pieds) afin de pouvoir déplacer le réfrigérateur lors de son entretien.
- Un robinet d'arrêt qui raccorde l'alimentation en eau à votre système de distribution d'eau domestique. NE PAS utiliser de robinets d'arrêt de type auto-perceur.
- Un écrou à compression et une bague (un raccord) pour raccorder la conduite d'alimentation en eau au robinet d'arrivée d'eau de la machine à glaçons.

Pour raccorder l'alimentation en eau à l'arrivée du robinet d'eau de la machine à glaçons

1. Débranchez le réfrigérateur de sa source d'alimentation.
2. Placez l'extrémité de la conduite en cuivre dans un évier ou dans un seau. Ouvrez l'alimentation en eau et laissez couler l'eau jusqu'à ce qu'elle soit propre. Fermez l'alimentation en eau au niveau du robinet d'arrêt.
3. Enlevez le capuchon en plastique du robinet d'arrivée d'eau et jetez-le.
4. Faites glisser l'écrou à compression en laiton puis la bague sur la conduite en cuivre de l'alimentation en eau, tel qu'indiqué sur l'image.
5. Poussez la conduite d'alimentation en eau dans le robinet d'arrivée d'eau aussi loin que possible (6,4 mm ou 1/4 po). Faites glisser la bague (raccord) sur le robinet d'arrivée d'eau et serrez l'écrou à compression sur le robinet avec vos doigts. Continuez de serrer en donnant un autre demi-tour au moyen d'une clé; NE SERREZ PAS trop.
6. Fixez la conduite d'eau au panneau arrière du réfrigérateur à l'aide du collier en acier et d'une vis à l'endroit indiqué sur l'image.
7. Enroulez la partie de la conduite d'eau en trop (2 1/2 tours environ) derrière votre réfrigérateur tel qu'indiqué sur l'image et disposez les serpentins pour ne pas qu'ils vibrent ou s'usent contre d'autres surfaces.
8. OUVREZ le robinet d'arrêt de l'alimentation en eau et serrez toute connexion qui fuit.
9. Rebranchez le cordon d'alimentation du réfrigérateur.
10. Pour mettre la machine à glaçons en marche, abaissez la manette. (Vérifiez sur le couvercle avant de la machine à glaçons pour connaître la position MARCHE/ARRÊT de la manette.)



ATTENTION

Pour éviter des dommages matériels :

- Il est recommandé d'utiliser une conduite en cuivre pour l'alimentation en eau. Arroser les tuyaux de provision faits de 1/4 le plastique de pouce ne devrait pas être utilisé puisque il augmente fort le potentiel pour les fuites d'eau. Le fabricant n'est responsable d'aucun dommage causé par l'utilisation d'un tube en plastique pour l'alimentation en eau.
- N'INSTALLEZ PAS un tuyau d'alimentation en eau en plastique dans les régions où les températures descendent sous le point de congélation.
- Raccordez la machine à glaçons à une source d'eau potable qui n'est pas reliée à un système d'adoucisseur d'eau. Les produits chimiques provenant d'un adoucisseur d'eau peuvent endommager la machine à glaçons et entraîner son mauvais fonctionnement.



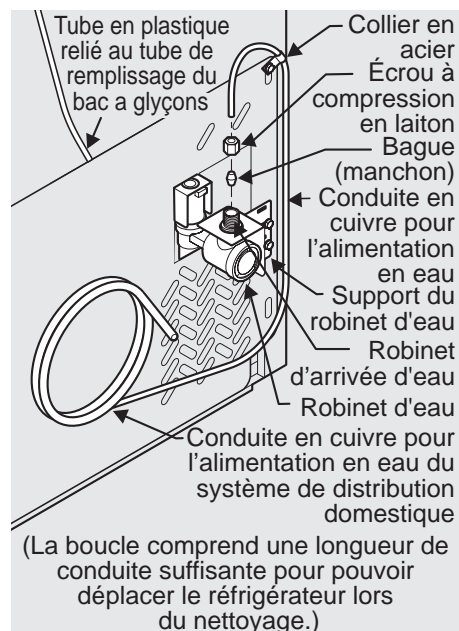
REMARQUE

Il est possible de se procurer un nécessaire de conduite en cuivre auprès de votre marchand d'électroménagers moyennant des frais supplémentaires. Ce nécessaire contient une conduite en cuivre d'un diamètre extérieur de 6,4 mm (1/4 po) et d'une longueur de 7,6 m (25 pi), un robinet à étrier (sans perçage), deux écrous à compression en laiton de 6,4 mm (1/4 po), deux bagues (raccords) et des instructions pour l'installation d'une conduite d'alimentation en eau.



IMPORTANT

La machine à glaçons commence à produire de la glace approximativement 24 heures suivants sa mise en marche initiale. L'air contenu dans la tuyauterie neuve peut provoquer deux ou trois cycles à vide avant que la machine à glaçons ne produise un plein bac à glaçons. La tuyauterie neuve peut également produire de la glace décolorée et lui donner un goût étrange. Jetez la glace qui a été fabriquée durant les 24 premières heures.



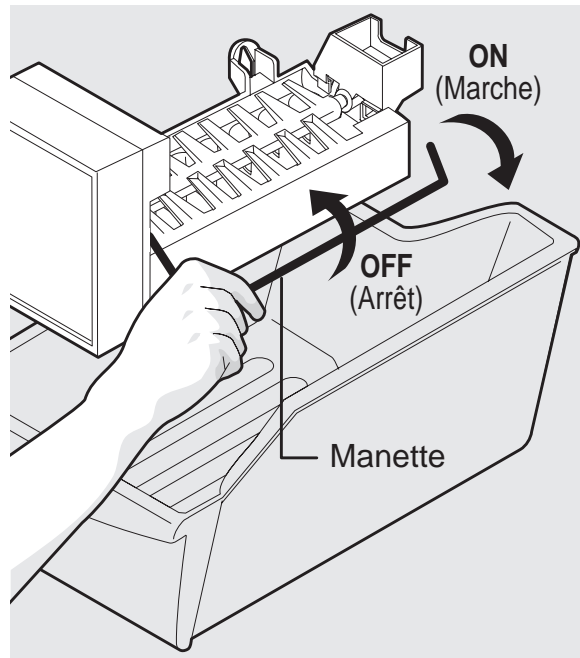
Conseils concernant l'utilisation de la machine à glaçons automatique

Rappelez-vous que la qualité de l'eau détermine la qualité de la glace. Ne raccordez pas la machine à glaçons à une source d'eau adoucie. Les produits chimiques provenant d'un adoucisseur fonctionnant mal peuvent endommager la machine à glaçons.

Pour éteindre la machine à glaçons, soulevez la manette jusqu'à ce qu'elle s'enclenche dans la position « haute » ou ARRÊT. La machine à glaçons arrête automatiquement la production de glaçons lorsque le bac est plein. Si votre modèle est doté d'une clayette de congélateur réglable, placez-la de manière à ce que la manette touche aux glaçons lorsque le bac est plein.

Conseils sur la production de glaçons

- Les glaçons conservés trop longtemps peuvent développer un mauvais goût. Videz le bac et assurez-vous que la manette est en position « basse » ou MARCHÉ. La machine à glaçons produira alors d'autres glaçons.
- Secouez le bac de temps en temps pour séparer les glaçons.
- Gardez la manette en position « haute » ou ARRÊT tant que le réfrigérateur n'est pas raccordé à une source d'alimentation en eau ou tant que l'alimentation en eau est coupée.
- Certains bruits de fonctionnement sont normaux. Ils sont produits par :
 - le fonctionnement du moteur;
 - les glaçons qui se décollent du moule;
 - les glaçons qui tombent dans le bac;
 - l'eau qui coule;
 - le robinet d'eau qui s'ouvre ou se ferme.



ATTENTION

Ne mettez pas le bac à glaçons au lave-vaisselle.

- Lavez le bac à glaçons à l'eau tiède additionnée de savon doux. Rincez bien et séchez.
- Arrêtez la machine à glaçons lorsque vous nettoyez le congélateur ou lorsque vous partez en vacances durant une courte période.
- Fermez le robinet d'arrivée d'eau si vous prévoyez arrêter la machine à glaçons pendant une longue période.