

Installation Instructions

7186.201 7186.211



FLUENT™ Centerset Lavatory Faucet with Speed Connect® Drain

Congratulations on purchasing your American Standard faucet with Speed Connect drain, a feature found only on American Standard faucets.

Speed Connect Drain*

- Fewer parts, installs in less time
- Never needs adjustment
- Guaranteed to seal properly the first time, every time.

*Your new American Standard faucet is designed to work only with the Speed Connect drain. Helpful tips for removing your current drain can be found in the Troubleshooting section of these instructions.

To ensure that your installation proceeds smoothly-please read these instructions carefully before you begin.

Certified to comply with ANSI A112.18.1
M965624

Recommended tools



Flat Head Screwdriver



Slip Jaw Pliers



Adjustable Wrench



Tubing Cutter

1

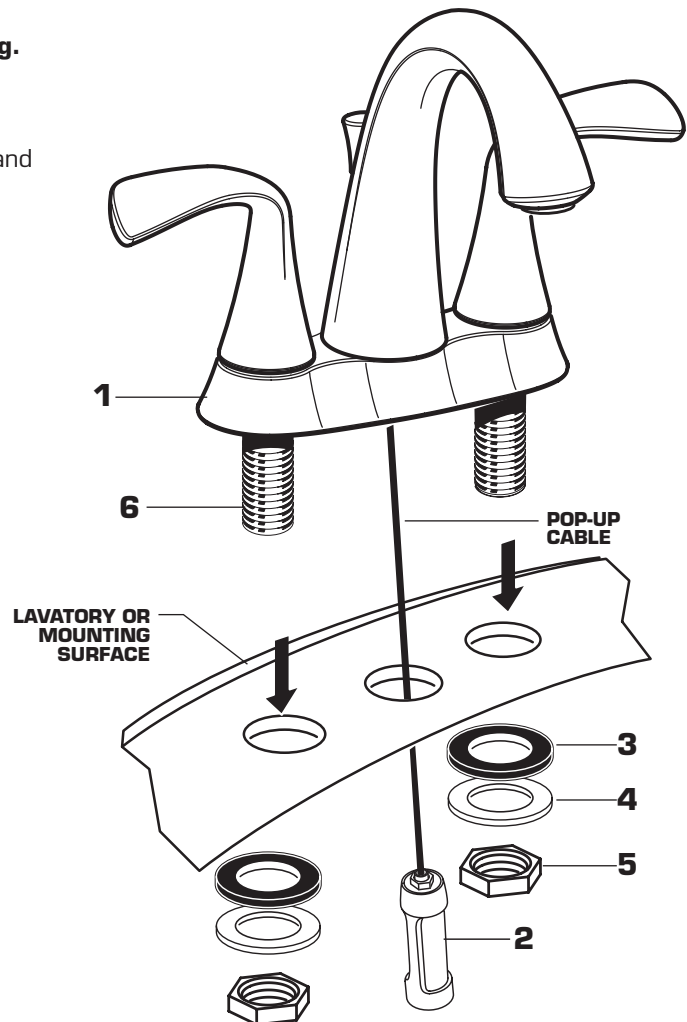
INSTALL FAUCET

CAUTION

Turn off hot and cold water supplies before beginning.

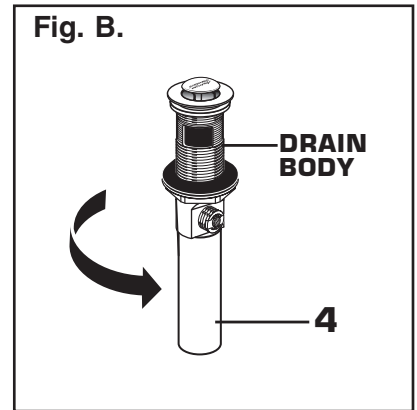
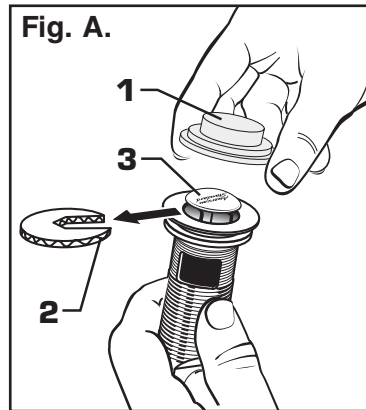
Turn off hot and cold water supplies before beginning.

- Insert FAUCET (1) and CABLE CONNECTOR (2) through mounting holes of Sink or Mounting Surface.
- Assemble RUBBER WASHER (3), METAL WASHER (4) and LOCKNUTS (5) onto SHANKS (6) from under side of Sink. Center FAUCET (1) and tighten LOCKNUTS (5) firmly.



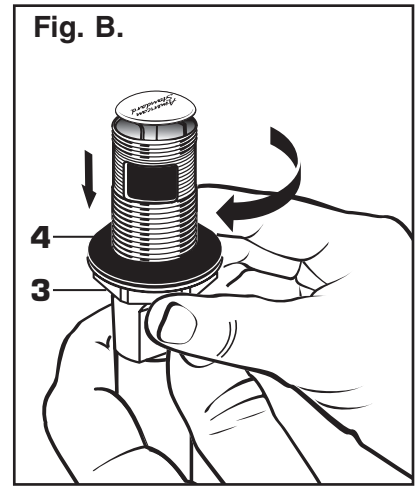
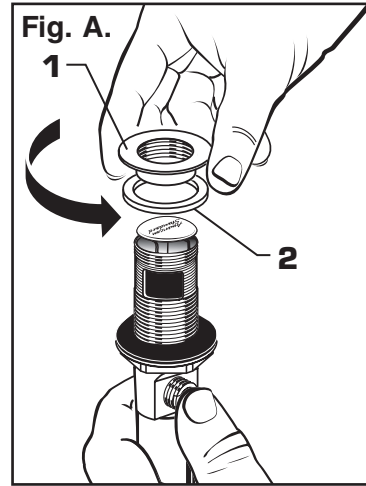
2 POP-UP DRAIN

- Remove CLEAR PLASTIC COVER (1).
- Remove CARDBOARD SPACER (2) from under DRAIN POP-UP (3).
- Tighten TAILPIECE (4) on DRAIN BODY before installing DRAIN BODY. Fig. B.



3 REMOVE FLANGE

- Thread FLANGE (1) counter-clockwise and remove FLANGE (1) and FOAM GASKET (2) from drain body. Fig. A.
- Thread LOCKNUT (3) clockwise to bottom of drain body. Push GASKET (4) down against LOCKNUT (3). Fig. B.

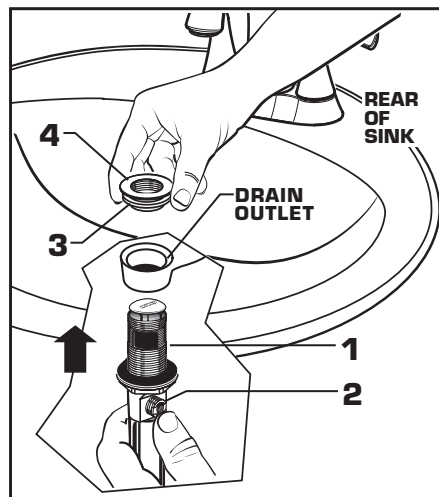


4 INSTALL DRAIN FROM BELOW FIXTURE

- From under side of SINK install DRAIN BODY (1) up through drain outlet.

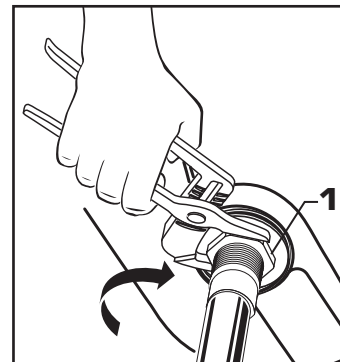
Note: No plumber's putty or caulk is required. The CABLE ATTACHMENT POINT (2) must face towards the rear of the SINK.

- Install FOAM GASKET (3) and FLANGE (4) onto drain body from above SINK and tighten FLANGE (4) firmly.



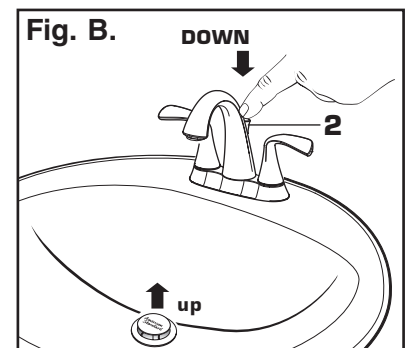
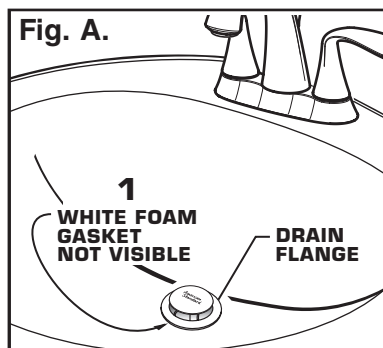
5 TIGHTEN LOCKNUT

- Tighten LOCKNUT (1) firmly with Adjustable Wrench or Slip Jaw Pliers.



6 FLANGE GASKET AND POP-UP KNOB

- Check DRAIN FLANGE in SINK to ensure that WHITE FOAM GASKET (1) is fully compressed and not visible. Fig. A.
- POP-UP KNOB (2) must be fully down. Fig. B.

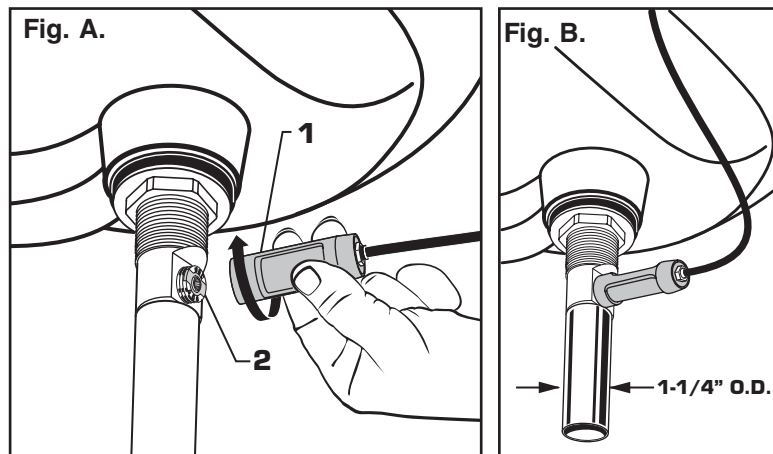


7 ATTACH CABLE CONNECTOR

- Thread CABLE CONNECTOR (1) clockwise onto CABLE ATTACHMENT POINT (2) and hand tighten. Fig. A.

Your new POP-UP DRAIN installation is now complete. Fig. B.

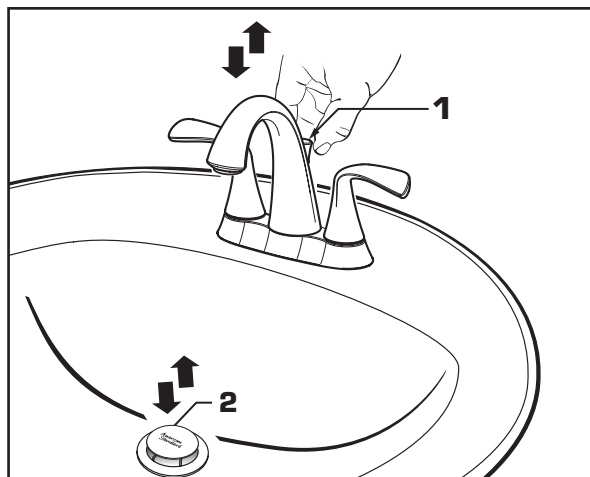
Note: Tailpiece on pop-up drain is 1-1/4" O.D. Fig. B.



8 CHECK OPERATION OF POP-UP

- Operate LIFT KNOB (1) to verify that STOPPER (2) opens and closes.

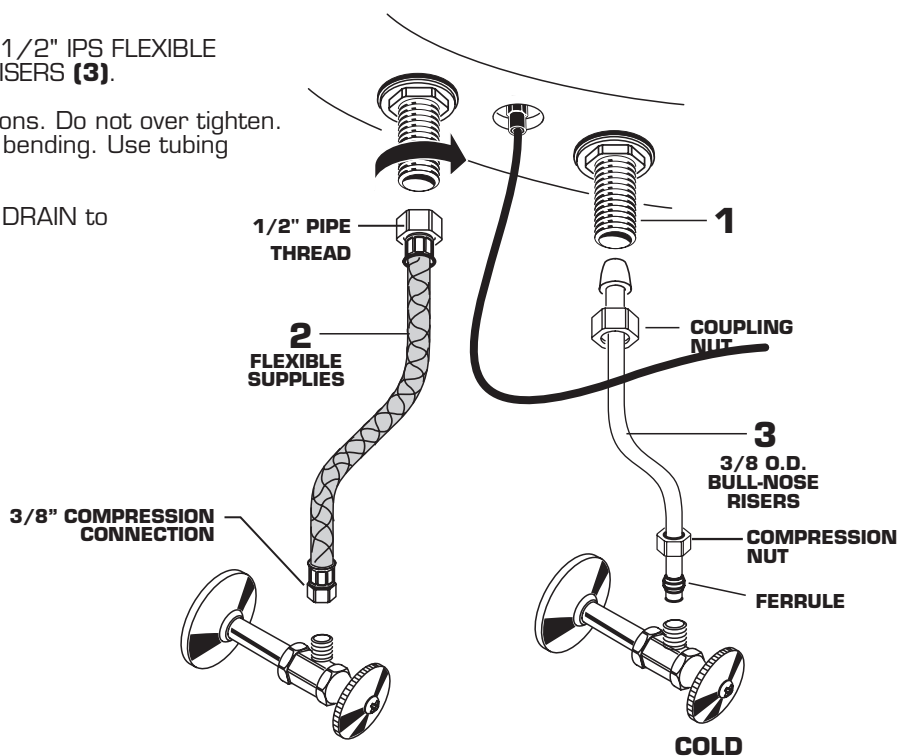
Note: If STOPPER (2) does not open and close properly, refer to the "troubleshooting section" of these instructions.



9 MAKE WATER SUPPLY AND WASTE CONNECTIONS

NOTE: FLEXIBLE SUPPLIES OR BULL-NOSE RISERS MUST BE PURCHASED SEPARATELY.

- Connect water supply to FAUCET (1) with 1/2" IPS FLEXIBLE SUPPLIES (2) or 3/8" O.D. BULL-NOSE RISERS (3).
- Use adjustable wrench to tighten connections. Do not over tighten. Be careful not to kink copper supply when bending. Use tubing cutter to cut to proper length.
- Connect 1-1/4" O.D. tailpiece on POP-UP DRAIN to waste outlet.

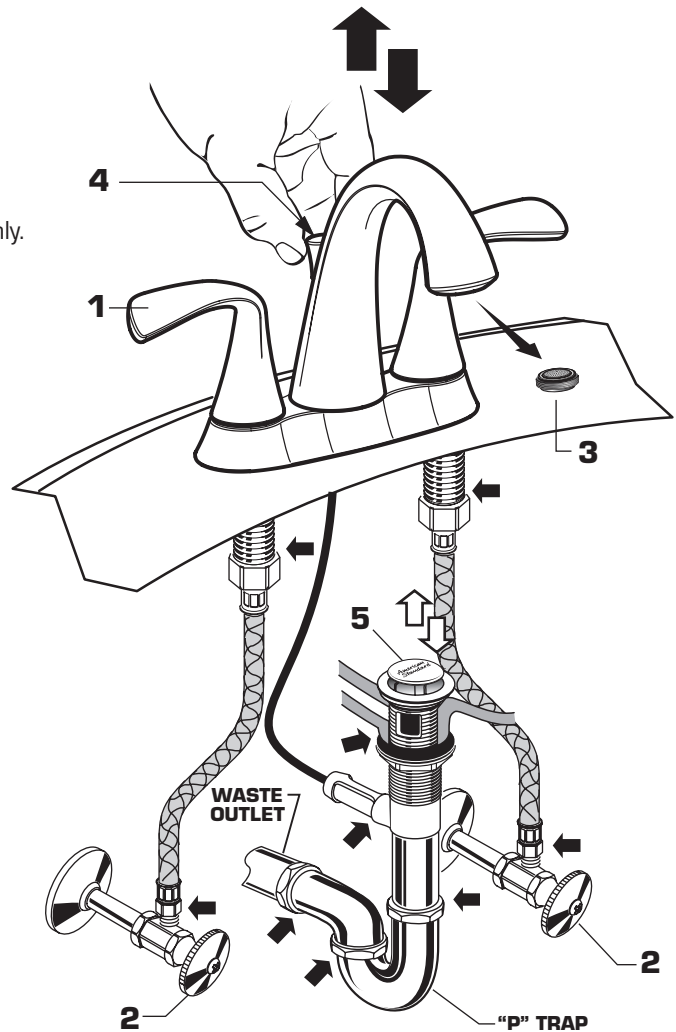


10 TEST INSTALLED FITTING

- With HANDLES (1) in OFF position, turn on WATER SUPPLIES (2) and check all connections for leaks. ➡
- Remove AERATOR (3).
- Operate both HANDLES (1) to flush water lines thoroughly.
- Replace AERATOR (3).

CHECK DRAIN CONNECTIONS

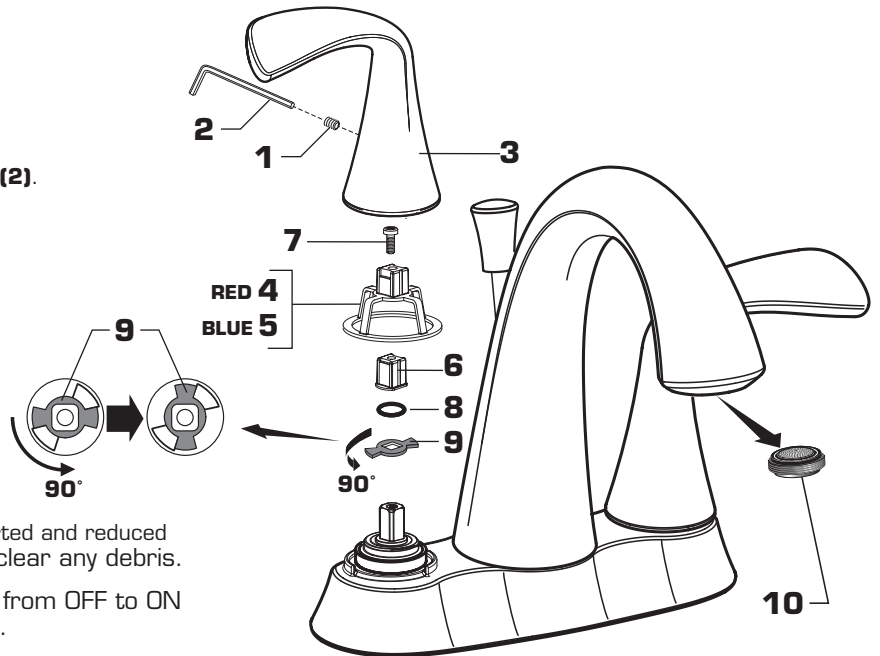
- Operate POP-UP KNOB (4) and fill lavatory with water. Check that DRAIN STOPPER (5) makes a good seal and retains water in SINK. If DRAIN STOPPER (5) does not seal properly, please refer to Troubleshooting section in these instructions.
- Release POP-UP KNOB (4) down and check all drain connections and "P" trap for leaks. ➡ Tighten if necessary.



11 SERVICE

To change direction of handle:

- Turn valves to OFF position.
- Turn off water supplies.
- Loosen SET SCREW (1) with 5/64" HEX WRENCH (2).
- Pull HANDLE (3) "UP" firmly to release from PLASTIC INSERT (4, 5 or 6).
- Remove SCREW (7) and pull off PLASTIC INSERT (4, 5 or 6).
- Remove RETAINING O-RING (8).
- Lift and turn STOP WASHER (9) 90°. Replace RETAINING O-RING (8).
- Re-install HANDLE ASSEMBLY.
- AERATOR (10) may accumulate dirt causing distorted and reduced water flow. Remove AERATOR (10) and rinse to clear any debris.
- If spout drips, operate handles several times from OFF to ON position. Do not force - handles turn only 90°.



12 CARE INSTRUCTIONS:

DO: CLEAN WITH CLEAR WATER. DRY WITH A SOFT COTTON FLANNEL CLOTH.

DO NOT: CLEAN THE PRODUCT WITH SOAPS, ACID, POLISH, ABRASIVES, HARSH CLEANERS, OR A CLOTH WITH A COARSE SURFACE.

M965624

Speed Connect™ Drain Troubleshooting Guide

If sink does not hold water even though Stopper is in the “down” position:

- Follow CABLE ADJUSTMENT PROCEDURE.

If Stopper does not raise up fully or sink drains too slowly:

- Follow CABLE ADJUSTMENT PROCEDURE.

If you need to remove the Stopper:

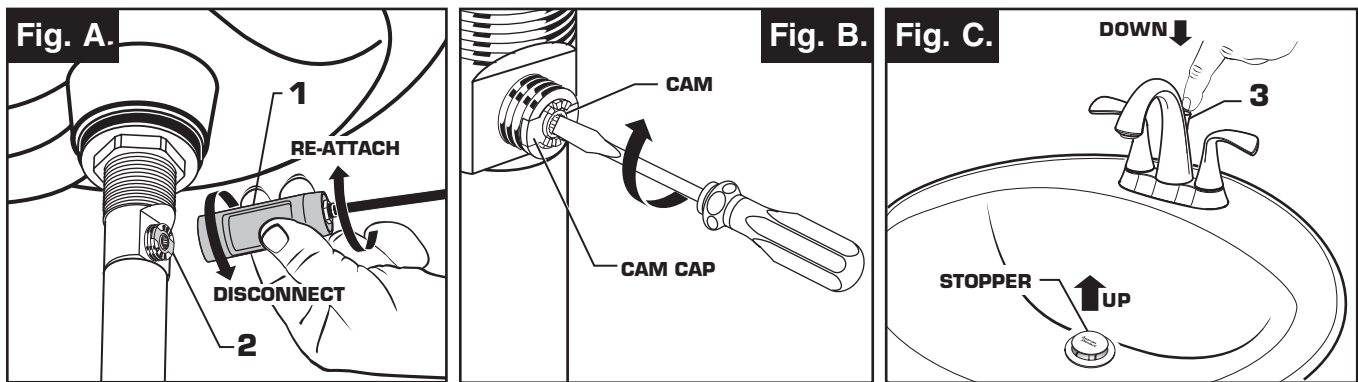
- Follow STOPPER REMOVAL PROCEDURE.

If you would like the ability to remove your Stopper simply by lifting it out of the drain:

- Follow STOPPER INSTALLATION PROCEDURE for “Unlocked” mode.

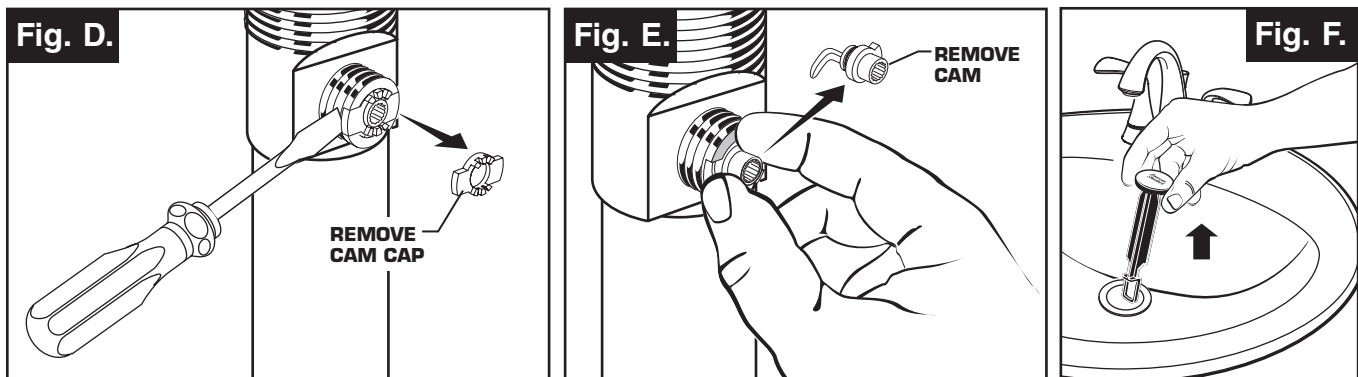
CABLE ADJUSTMENT PROCEDURE

- Disconnect the Cable from the Drain by threading the CABLE CONNECTOR (1) counter-clockwise. Fig. A.
- Look at the area on the Drain Body where the Cable was attached and locate the component labeled as “Cam” in the illustration. Fig. B.
- Use a small flat head screwdriver to fully rotate the Cam in the clockwise direction. At this point the Stopper should be in the UP position. Fig. B, C.
- Make sure the LIFT KNOB (3) it is fully down. Fig. C.
- Re-attach the CABLE CONNECTOR (1) to the CABLE ATTACHMENT POINT (2) by threading the CABLE CONNECTOR (1) clockwise onto the CABLE ATTACHMENT POINT (2) and hand-tighten. Fig. A.



STOPPER REMOVAL PROCEDURE

- Disconnect the Cable from the Drain by threading the Cable Connector (1) counter-clockwise. Fig. A.
- Look at the area on the Drain Body where the Cable was attached and locate the component labeled as “Cam” and “Cam Cap” in the illustration. Fig. B.
- Use fingers or small screwdriver under either side of the Cam Cap to pry it out from the Drain. Fig. D.
- Remove the Cam by pulling it straight out while wiggling gently to loosen the Rubber Seal. Fig. E.
- The Stopper can now be removed by lifting it out of the Drain. Fig. F.

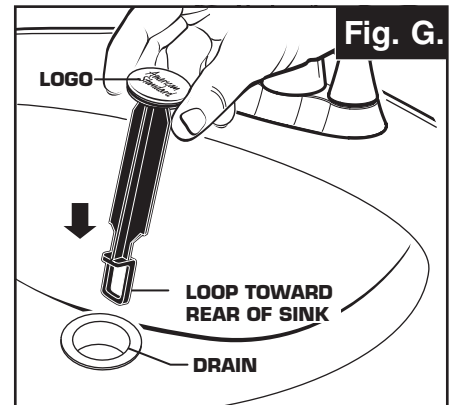


STOPPER INSTALLATION PROCEDURE

The Stopper can be installed two ways, “Locked” Mode (Stopper cannot be removed) or “Unlock” Mode (Stopper is removable).

Locked Mode:

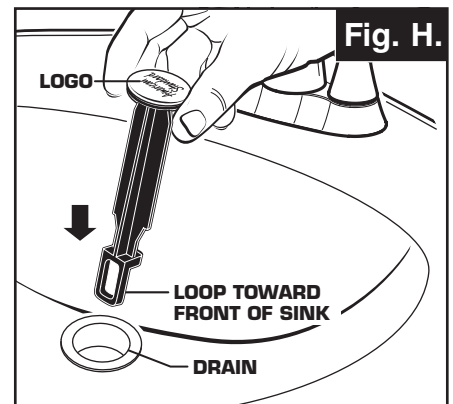
- Look at the Plastic Loop at the bottom of the Stopper and notice that the Loop is on one side of the Stopper. **Fig. G.**
- To install the stopper in “Locked” mode, insert the Stopper into the Drain so that the Plastic Loop is facing toward the rear of the Sink and the American Standard logo is facing front. Rotate Stopper slightly if necessary so that the Stopper slides all the way down. **Fig. G.**
- Re-install the Cam into the Drain, rotating the Cam if necessary to make sure it is fully inserted. **Fig. J.**
- Re-install the Cam Cap, making sure the guide teeth are facing outward. If the Cam Cap does not “snap” into place, then rotate the Cam to make sure it is fully inserted. **Fig. K.**
- Re-attach Cable. See “CABLE ADJUSTMENT PROCEDURE” in Troubleshooting Guide to complete installation. Stopper will be in “Locked” mode and not be removable.



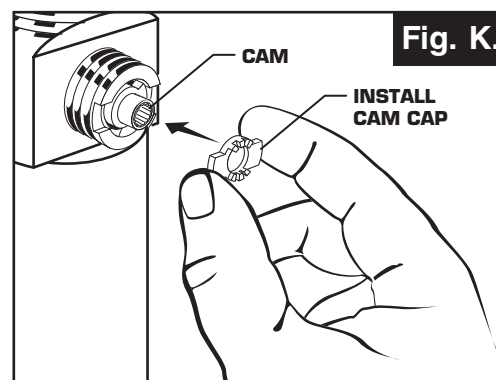
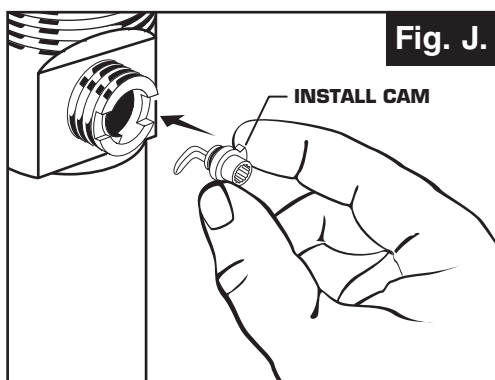
**Locked Mode
(Vandal Proof)**

Unlocked Mode:

- Look at the Plastic Loop at the bottom of the Stopper and notice that the Loop is on one side of the Stopper. **Fig. H.**
- To install the stopper in “Unlocked” mode, insert the Stopper into the Drain so that the Plastic Loop is facing toward the front of the Sink and the American Standard logo is facing rear. Rotate Stopper slightly if necessary so that the Stopper slides all the way down. **Fig. H.**
- Re-install the Cam into the Drain, rotating the Cam if necessary to make sure it is fully inserted. **Fig. J.**
- Re-install the Cam Cap, making sure the guide teeth are facing outward. If the Cam Cap does not “snap” into place, then rotate the Cam to make sure it is fully inserted. **Fig. K.**
- Re-attach Cable. See “CABLE ADJUSTMENT PROCEDURE” in “Troubleshooting Guide” to complete installation. Stopper will be in “Unlocked” mode and removable.



Unlocked Mode



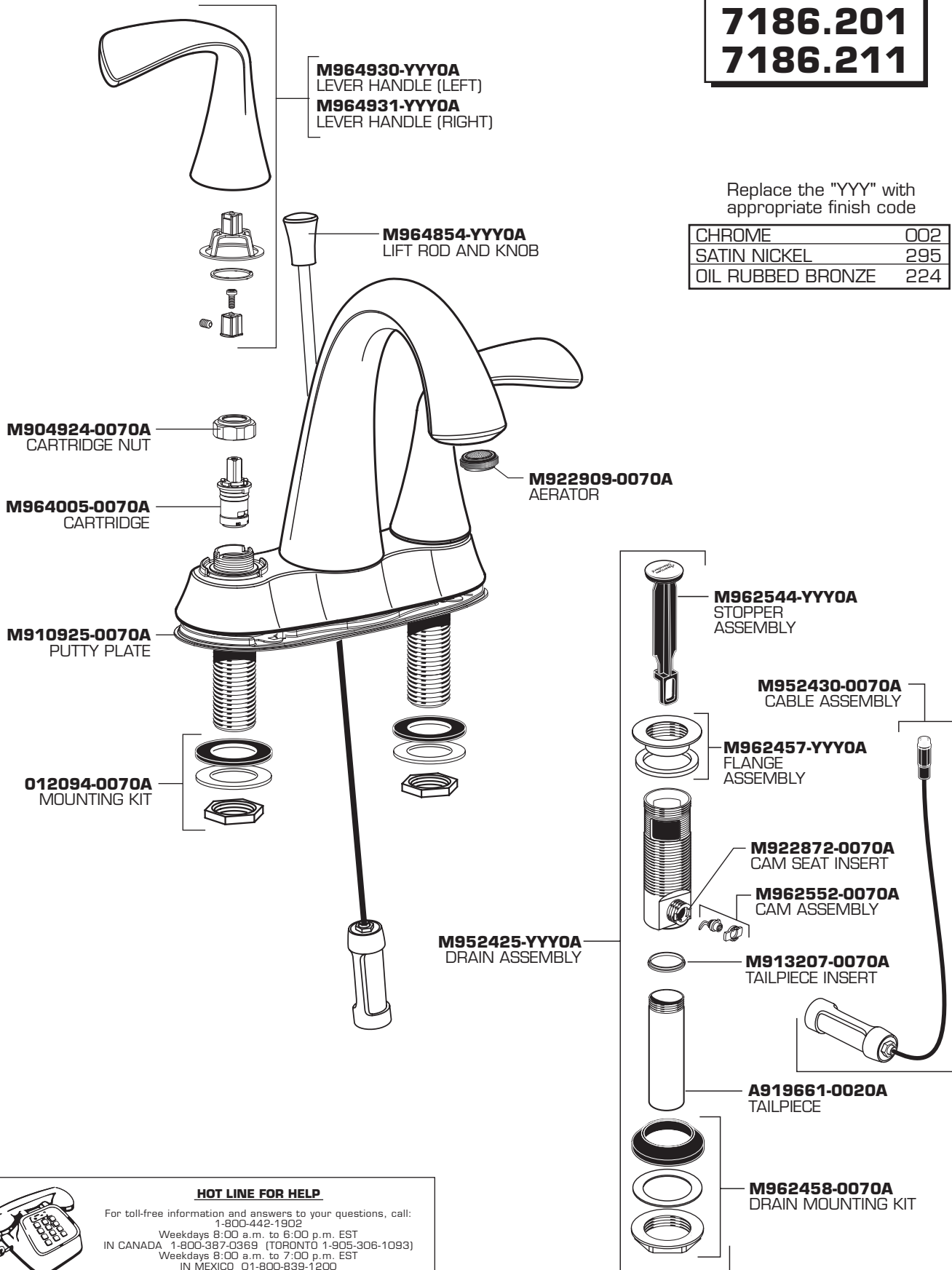
FLUENT™
Centerset Lavatory Faucet
with Speed Connect® Drain

MODEL NUMBERS

7186.201
7186.211

Replace the "YYY" with appropriate finish code

CHROME	002
SATIN NICKEL	295
OIL RUBBED BRONZE	224



HOT LINE FOR HELP

For toll-free information and answers to your questions, call:
 1-800-442-1902
 Weekdays 8:00 a.m. to 6:00 p.m. EST
 IN CANADA 1-800-387-0369 (TORONTO 1-905-306-1093)
 Weekdays 8:00 a.m. to 7:00 p.m. EST
 IN MEXICO 01-800-839-1200

Product names listed herein are trademarks of American Standard Inc.
 © AS America, Inc. 2014

M965624