

OPTIMA SYSTEMS

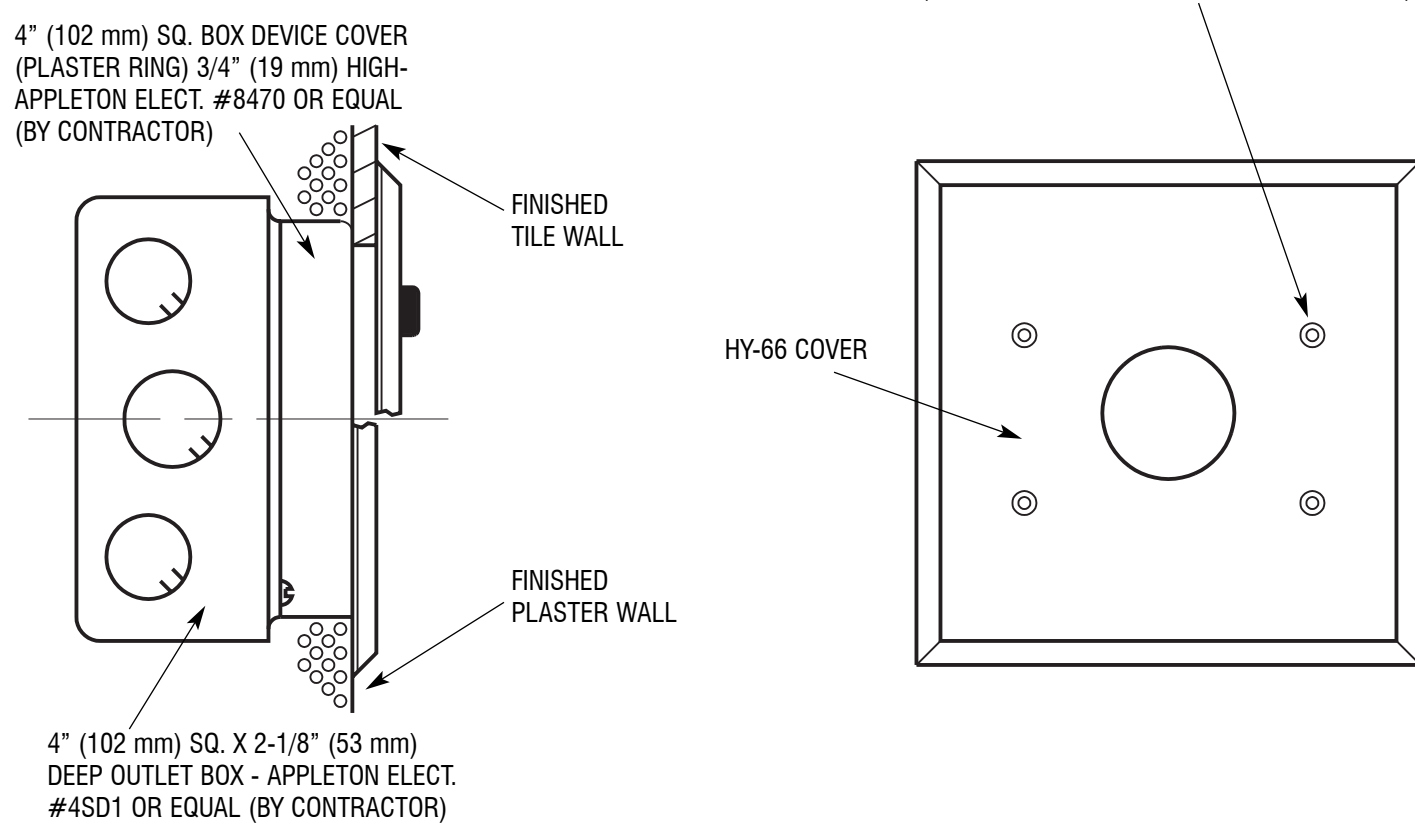
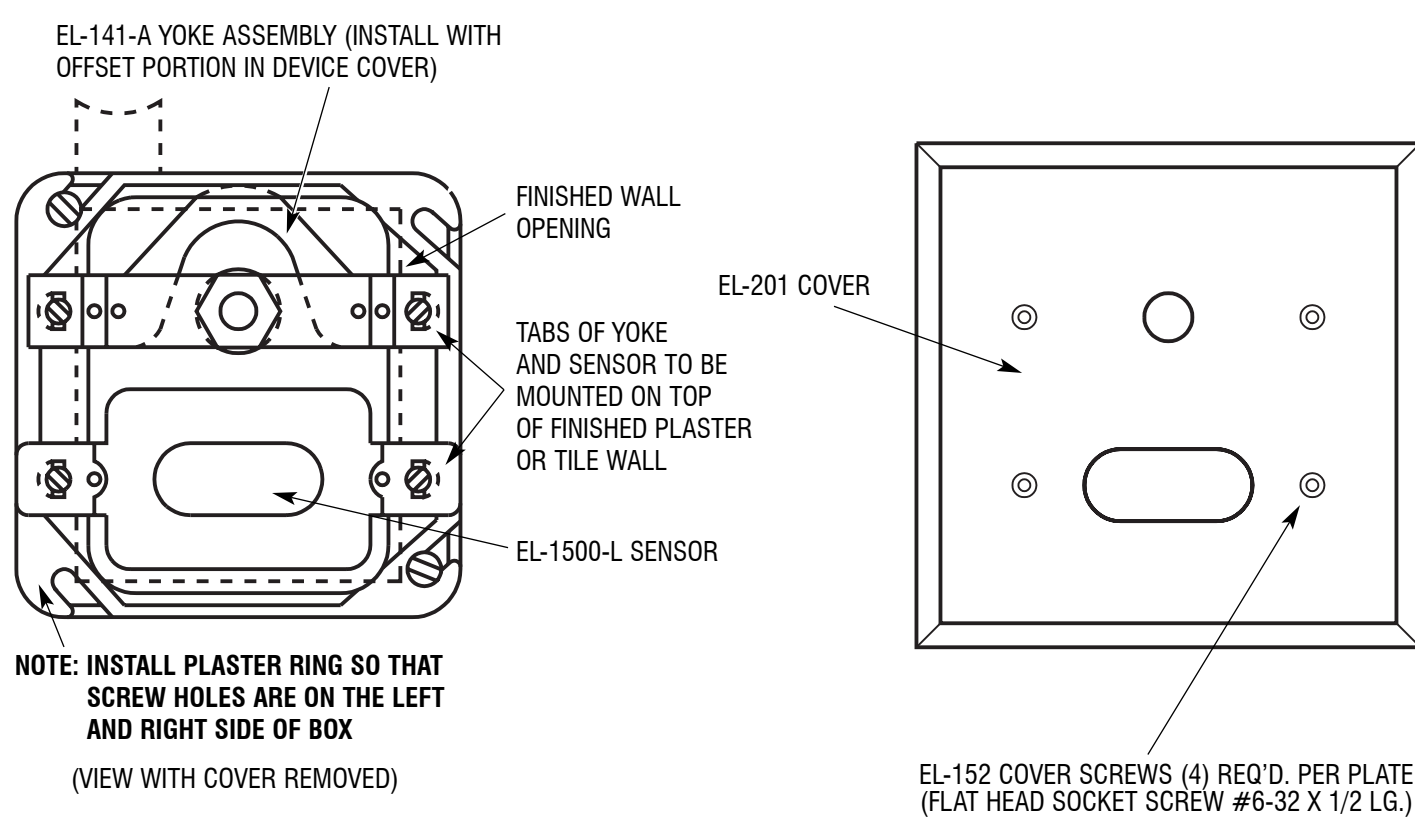
Electrical Box Rough-In Template for Sensor Operated Exposed Water Closet Flushometers.

Model: *Royal*® 110 ES-S/111 ES-S
(DO NOT use this template for Model 115 or 116 ES-S Flushometers)

HOW TO USE TEMPLATE

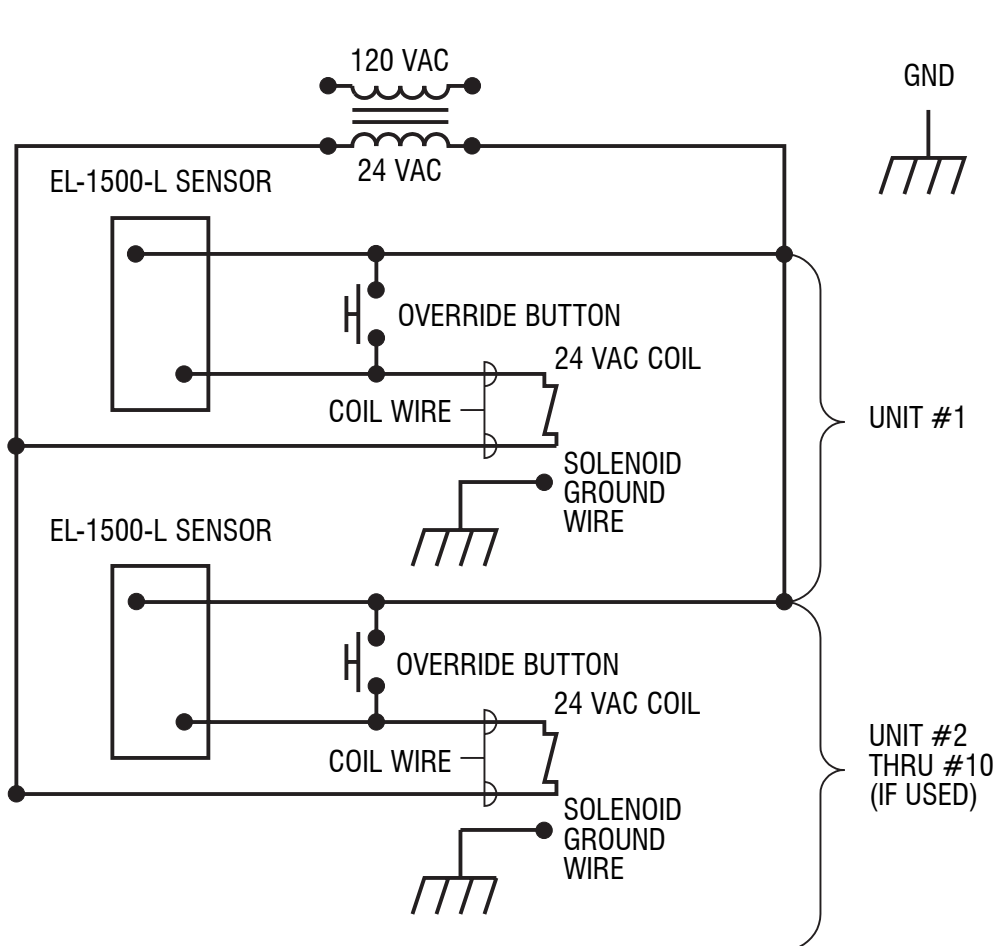
- Cut out Supply and Box openings (dotted lines).
- Place template over water supply rough-in.
- Align "C/L of Fixture" on template with actual Center Line of Fixture.
- Mount Electrical Box according to opening in template.

ELECTRICAL BOX INSTALLATION



WIRING DIAGRAM

Note: A maximum of ten (10) Sensor Flushometer units can operate from one (1) Sloan EL-154 transformer. Class II UL Listed, 48 VA (min.) at 24 VAC, plate mounted.



IMPORTANT: Early Models of the Sensor were made with four (4) Wire Leads. When replacing a four (4) Wire EL-150-L Sensor with a three (3) Wire EL-150-L Sensor the Black Lead replaces the Blue Lead, the Red Lead replaces the Yellow Lead and the White Lead combines and replaces the Brown & Red Leads.

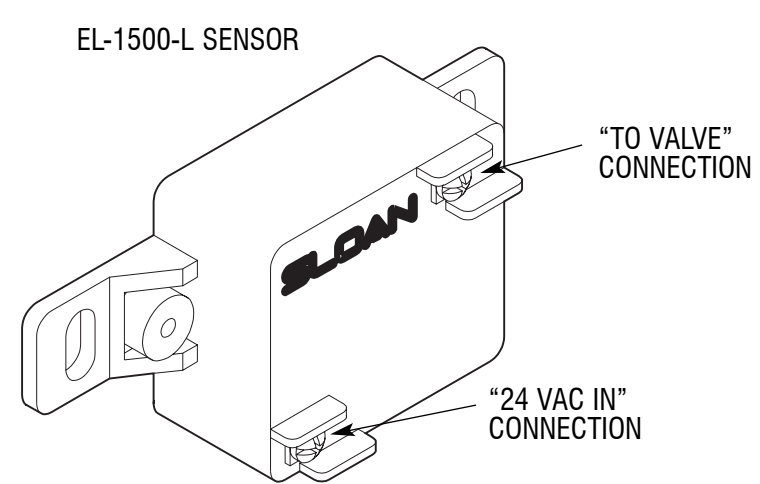
WIRING NOTES
Be certain power is OFF to prevent damage to electrical components. Connect sensor to transformer and solenoid coil EXACTLY as shown in Wiring Diagram.

Connect the 24 volt source lead to terminal labeled "24 VAC IN" of new sensor.

Connect solenoid lead to terminal labeled "TO VALVE" of new sensor.

Connect remaining solenoid lead to remaining 24 volt source lead.

Connect override button parallel to the EL-1500-L sensor. Use 18 gauge wire between override button terminals and the connection of the EL-1500-L sensor.



SENSOR LOCATION AND POSITIONING IS CRITICAL!
Failure to properly position the electrical boxes to the plumbing rough-in will result in improper installation and impair product performance. All tradesmen (plumbers, electricians, tile setters, etc.) involved with the installation of this product must coordinate their work to assure proper product installation.

IMPORTANT!
DO NOT use this template for Model 115 or 116 ES-S Flushometers.

This template will serve as a guide when Roughing-In the Electrical Boxes required for a Sloan OPTIMA Flushometer. If further assistance is needed contact your nearest Sloan Representative Office.

Refer to the OPTIMA Flushometer Installation Instructions for directions to install and operate the Valve.

WATER CLOSET FLUSHOMETER TEMPLATE

4" X 4" X 2-1/2" DEEP ELECTRICAL JUNCTION BOX (102 mm X 102 mm X 63 mm)

TEMPLATE ACTUAL SIZE

