



# PEKOE® 35 x 18 DOUBLE BOWL STAINLESS STEEL KITCHEN SINK

18 GAUGE STAINLESS STEEL

## PEKOE® 35 x 18 DOUBLE BOWL STAINLESS STEEL KITCHEN SINK

### ☐ 18DB.9351800.075

- Fabricated Double Bowl Stainless Steel kitchen sink
- 18 Gauge Stainless Steel
- 9" Deep Bowls
- 10mm radius corners
- Undermount installation
- Side and bottom sound pads with full spray insulation
- 39" (991mm) cabinet required
- Includes:
  - 7302285-401.0750A Bottom Grid Set
  - (2) 9028000.075 Waste Fittings
  - 791676-100.0070A Undermount Sink Clips
  - Cutout template
  - Installation Instructions
- Limited Lifetime Warranty



### Nominal Dimensions:

35" x 18" x 9"  
(889 x 457 x 229mm)

### Bowl Size (equal size bowls):

16" (406mm) wide  
16" (406mm) front to back  
9" (229mm) deep

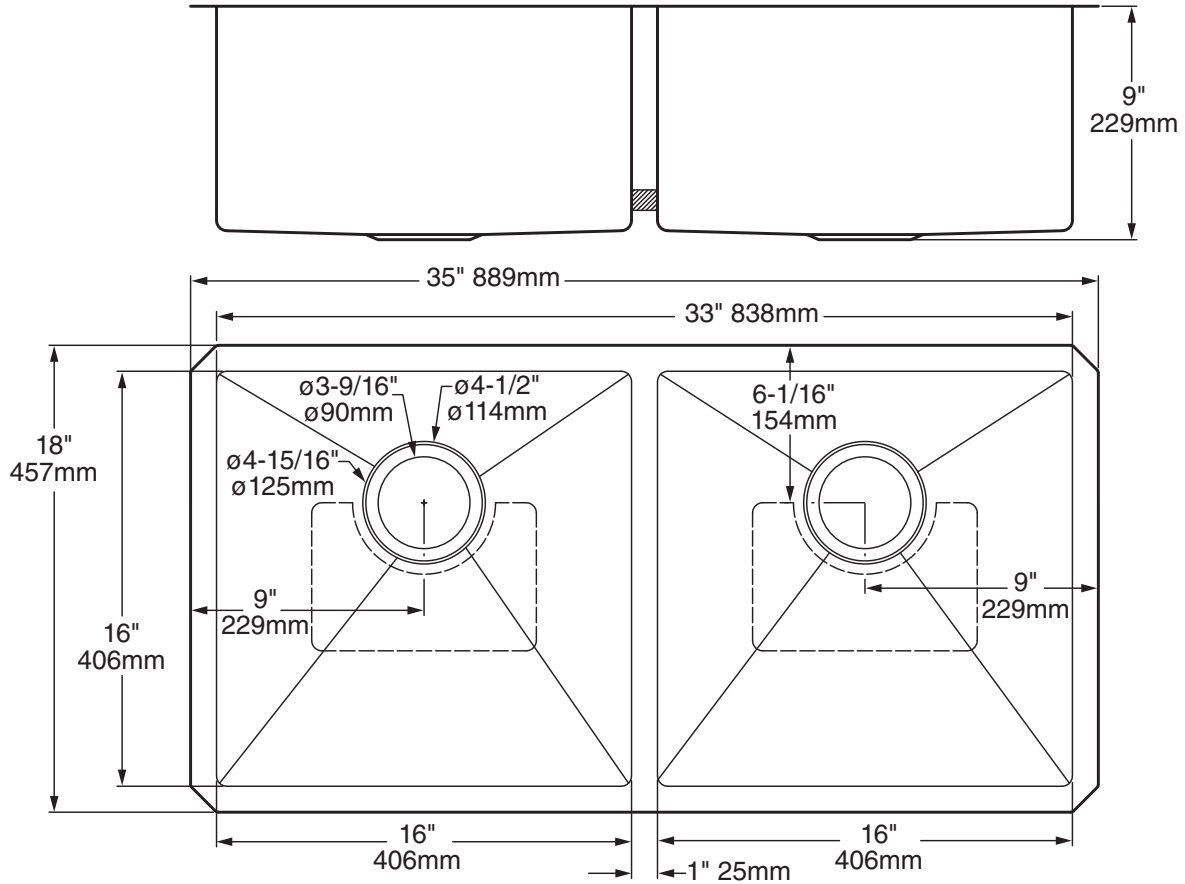
SEE REVERSE FOR ROUGHING-IN DIMENSIONS  
AND PRODUCT SPECIFICATIONS

### Compliance Certifications - Meets or Exceeds the Following Specifications:

- ASME A112.19.3

#### To Be Specified:

- ☐ Color: Stainless Steel .075



**NOTES:**

\* DIMENSIONS SHOWN FOR LOCATION OF SUPPLIED AND "P" TRAP ARE SUGGESTED.  
FITTINGS NOT INCLUDED WITH FIXTURE AND MUST BE ORDERED SEPARATELY.  
SEALING COMPOUND SUPPLIED BY OTHERS.

**IMPORTANT:** Dimensions of fixtures are nominal and may vary within the range of tolerances established by ANSI Standard A112.19.3. These measurements are subject to change or cancellation. No responsibility is assumed for use of superseded or voided pages.