

# Installation

Remove packing materials from the wall sleeve and tape from the air conditioner.

## INSTALLATION REQUIREMENTS

If you use an existing wall sleeve, you should measure its dimensions.

Install the new air conditioner according to these installation instructions to achieve the best performance. All wall sleeves used to mount the new air conditioner must be in good structural condition and have a rear grille to securely attach the new air conditioner. (Figure 1)

With the LGE sleeve (optionally supplied with your unit), you can maintain the best performance of the new air conditioner. (Figure 2)

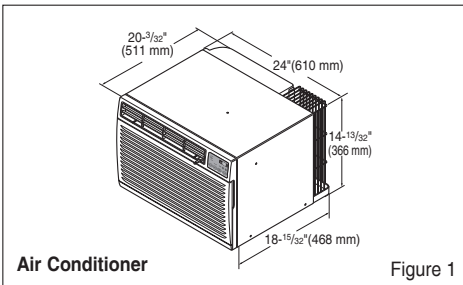


Figure 1

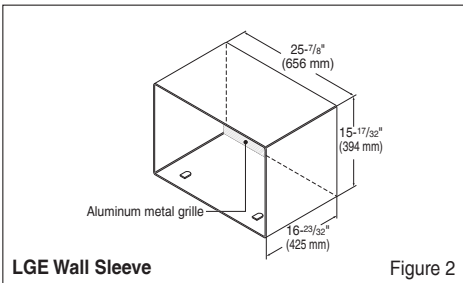


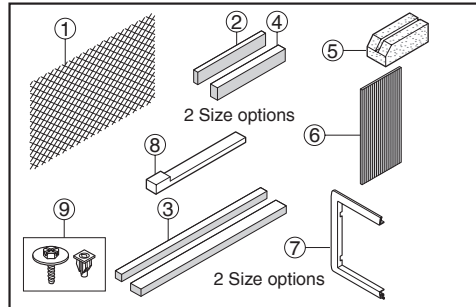
Figure 2

## ELECTRICAL SERVICE

Check your available electrical service. The power supply available must be the same as that shown on the unit nameplate (found on left side of cabinet).

All models are equipped with a 3-prong service plug to provide proper service and safe positive grounding. Do not change plug in any way. Do not use an adapter plug. If your present wall outlet does not match your plug, call a qualified electrician to make the necessary corrections. SAVE CARTON for storage and this OWNER'S MANUAL for future reference. The carton is the best way to store unit during winter or when not in use.

## INSTALLATION HARDWARE



ITEM	NAME OF PARTS	Q'TY
①	PLASTIC GRILLE	1
②	VERTICAL INSULATION STRIP	1
③	AROUND INSULATION STRIPS	2
④	HORIZONTAL INSULATION STRIP	1
⑤	SUPPORT BLOCK	2
⑥	BAFFLE	1
⑦	TRIM FRAME	2
⑧	SHIM	2
⑨	PLASTIC NUTS AND WASHER SCREWS	4

## ⚠ CAUTION

To avoid risk of personal injury, property damage, or product damage due to the weight of this device and sharp edges that may be exposed:

- Air conditioners covered in this manual pose an excessive weight hazard. Two or more people are needed to move and install the unit. To prevent injury or strain, use proper lifting and carrying techniques when moving unit.
- Carefully inspect location where air conditioner will be installed. Be sure it will support the weight of the unit over an extended period of time.
- Handle air conditioner with care. Wear protective gloves whenever lifting or carrying the unit. AVOID the sharp metal fins of front and rear coils.
- Make sure air conditioner does not fall during installation.

## REQUIRED TOOLS:

- Tight Fitting gloves
- Standard screwdriver
- Phillips screwdriver
- Pliers
- Sharp knife
- 3/8-inch open end wrench or adjustable wrench
- 1/4-inch hex socket and ratchet
- Tape measure
- Electric drill
- 1/4-inch drill bit

## INSTALLATION

### ⚠ CAUTION

We strongly recommend the removal of the old wall sleeve and the installation of a new LGE Wall Sleeve.

If you decide to keep the existing wall sleeve, you have to redirect the louvers at the back of the wall sleeve illustration. The use of pliers is recommended. If you DO NOT redirect, you run the risk of poor performance or product failure. This is not covered under the terms of the LGE warranty.

- Pick a location which will allow the conditioned air to blow into the area you want. Good installation with special attention to the proper position of the unit will lessen the chance that service will be needed.

### ITEMS IN INSTALLATION HARDWARE

You may not need all parts in the kit. Discard unused parts.

ITEM (inches)	Qty.	
Plastic grille	26 <sup>3</sup> / <sub>4</sub> x 16 <sup>1</sup> / <sub>2</sub> 1	
Vertical insulation strip	15 <sup>9</sup> / <sub>16</sub> X 1 <sup>3</sup> / <sub>8</sub> X 1 <sup>3</sup> / <sub>8</sub> 1	
Around Insulation Strips	67 <sup>1</sup> / <sub>8</sub> x 1 <sup>3</sup> / <sub>8</sub> x 2 <sup>5</sup> / <sub>32</sub> 1	
	59 <sup>27</sup> / <sub>32</sub> x 1 <sup>3</sup> / <sub>8</sub> x 1 <sup>3</sup> / <sub>8</sub> 1	
Horizontal Insulation Strip	23 <sup>7</sup> / <sub>32</sub> x 1 <sup>3</sup> / <sub>8</sub> x 1 <sup>3</sup> / <sub>16</sub> 1	
Support Block	1 <sup>3</sup> / <sub>4</sub> x 1 <sup>3</sup> / <sub>8</sub> x 4 <sup>5</sup> / <sub>16</sub> 2	
Baffle	14 x 4 <sup>1</sup> / <sub>2</sub> x 1 <sup>1</sup> / <sub>8</sub> 1	
Shim	8 <sup>1</sup> / <sub>2</sub> x 1 x 3 <sup>3</sup> / <sub>4</sub> 2	
Trim Frame		2
Washer Screw		4
Nuts (Plastic)		4
Grille Rear		1

### HOW TO INSTALL

- 1 Identify the existing wall sleeve before installing the unit from the listed below.

Brand	Wall Sleeve Dimensions (inches)		
	Width	Height	Depth
White-Westinghouse Frigidaire Carrier (52F series)	25-1/2	15-1/4	16, 17-1/2 or 22
General Electric /Hotpoint	26	15-5/8	16-7/8
Whirlpool	25-7/8	16-1/2	17-1/8 or 23
Fedders/Emerson	27	16-3/4	16-3/4 or 19-3/4
LGE	25-7/8	15-17/32	16-23/32
Emerson/Fedders	26-3/4	15-3/4	15
Carrier (51S Series)	25-3/4	16-7/8	18-5/8
Friedrich	27	16-3/4	16-3/4

### NOTICE

All wall sleeves used to mount the new Air Conditioner must be in sound structural condition and have a rear grille that securely attaches to sleeve, or rear flange that serves as a stop for the Air Conditioner.

- 2 Remove the old air conditioner from existing wall sleeve.
- 3 Clean the interior of the existing sleeve. (Do not disturb seals.)
- 4 Wall sleeve must be securely fastened in wall before installing the air conditioner. Use the nails or screws through sleeve into wall, if needed. Repaint sleeve if needed.
- 5 Prepare the wall sleeve for installation of the unit. If you plan to use your existing wall sleeve, and it is not LGE, use procedure B or C below.

Procedure	Brand	Depth(inches)
A	LGE	16-23/32
B	White-Westinghouse Frigidaire Carrier (52F series)	16, 17-1/2 or 22
	General Electric /Hotpoint	16-7/8
	Whirlpool Carrier (51S series)	17-1/8 or 23
C	Fedders/Emerson	16-3/4 or 19-3/4
	Emerson/Fedders	15
	Friedrich	16-3/4

- 6 Install new unit into wall sleeve.

### ⚠ CAUTION

When installation is completed, the replacement unit MUST have a rearward slope as shown. To achieve 1/4" slope, remove the backing from the 8-1/2" shim strips and attach them as shown below in Fig. 3. Place the higher portion of the shim to the front of the rib on the base of the wall sleeve.

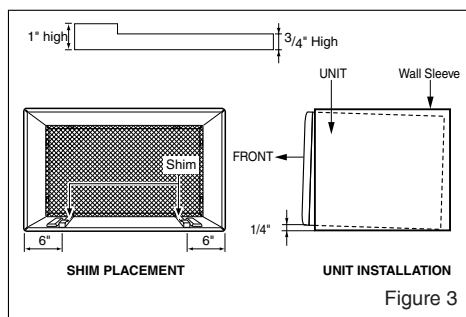


Figure 3

## PROCEDURE A

- 1** If you are using the new sleeve (optionally supplied with your unit), skip to step 3. Otherwise, install the plastic grille from the kit. Cut the plastic grille to 25-1/2" wide and 15-1/4" high. Place the plastic grille to the inside of the wall sleeve at the rear flange.

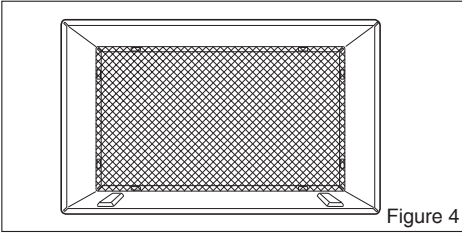


Figure 4

- 2** Fasten the 4 washer screws to secure the grille to the wall sleeve. If you need plastic nuts to mount plastic grille to the inside of the wall sleeve, there are plastic nuts in the installation kit. The nuts are installed from the inside of the sleeve and are pressed into the square holes of the rear flanges.

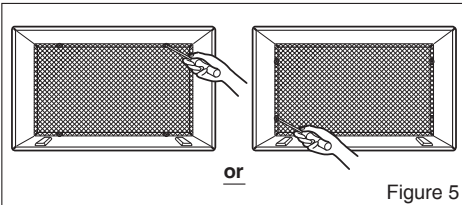


Figure 5

- 3** Remove the backing from the vertical insulation strip 15<sup>9</sup>/<sub>16</sub> x 1<sup>3</sup>/<sub>8</sub> x 1<sup>3</sup>/<sub>8</sub> and attach that to the inside right of the sleeve as shown below. Remove the backing from the around insulation strip 67<sup>1</sup>/<sub>8</sub> x 1<sup>3</sup>/<sub>8</sub> x 2<sup>9</sup>/<sub>32</sub> and attach that to the inside front of the sleeve as shown below.

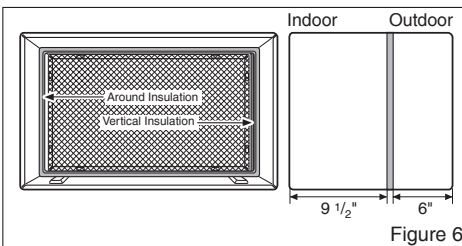


Figure 6

- 4** Install the new unit into the wall sleeve.

- 5** To assemble trim, snap the tab of each piece into the slot of the other piece as shown below. Slide trim over the front of the air conditioner until trim is flush with sleeve as shown below.

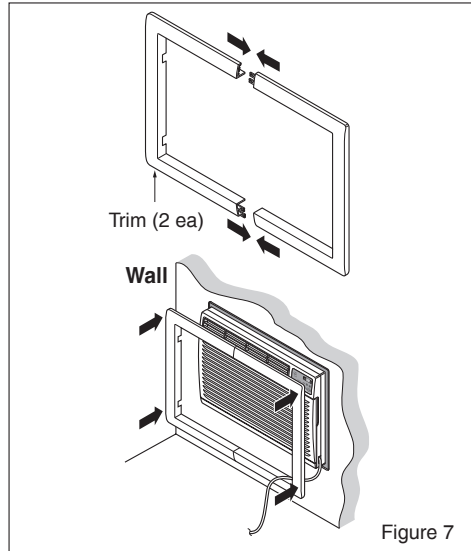


Figure 7

### ⚠ CAUTION

- Air conditioners covered in this manual pose an excessive weight hazard. Two or more people are needed to move and install the unit. To prevent injury or strain, use proper lifting and carrying techniques when moving unit.
- When handling the air conditioner, be careful to avoid cuts from sharp metal fins on front and rear coils.
- Make sure air conditioner does not fall during removal.
- If unit does not operate after installation check, to be sure the circuit interrupter has not been tripped. Refer to the Troubleshooting guide for reset procedure.

## PROCEDURE B

- 1** Redirect the louvers at the back of the wall sleeve to 60° angle as shown in the Figure 8. The use of pliers is recommended.

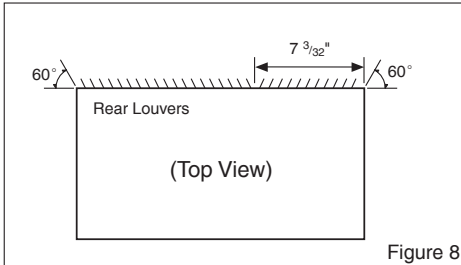


Figure 8

- 2** If the wall sleeve already has a rear grille, skip to step 4. If the wall sleeve does not have a rear grille or louvered panel, install the plastic grille from the kit. Cut the plastic grille to 25-1/2" wide and 15-1/4" high. Place the plastic grille to the inside of the wall sleeve at the rear flange.

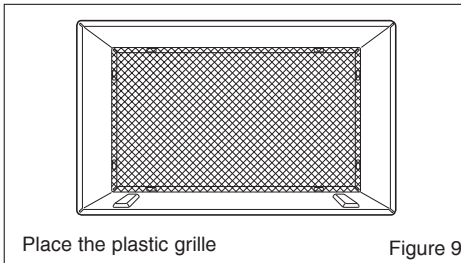


Figure 9

- 3** Fasten the 4 washer screws to secure the grille to the wall sleeve. If you need plastic nuts to mount plastic grille to the inside of the wall sleeve, there are plastic nuts in the installation kit. The nuts are installed from the inside of the sleeve and are pressed into the square holes of the rear flanges.

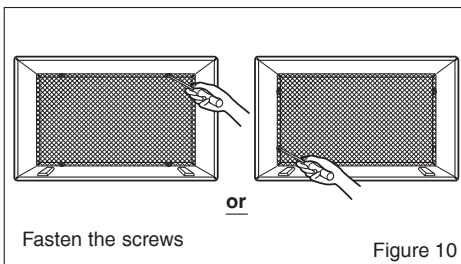


Figure 10

- 4** Remove the backing from the Vertical Insulation strip 15<sup>9</sup>/<sub>16</sub> x 1<sup>3</sup>/<sub>8</sub> x 1<sup>3</sup>/<sub>8</sub> and attach that to the inside right of the sleeve as shown below. Remove the backing from the Around Insulation strip 67<sup>1</sup>/<sub>8</sub> x 1<sup>3</sup>/<sub>8</sub> x 25<sup>5</sup>/<sub>32</sub> and attach that to the inside front of the sleeve as shown below.

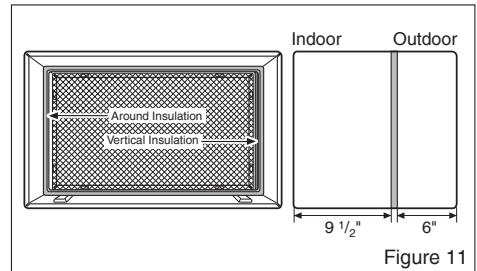


Figure 11

- 5** If the depth of your existing wall sleeve is less than or equal to 18", skip to step 6. Otherwise, cut the baffles and the support blocks according to length A in the table below.

Depth D of the existing wall sleeve (inches)	Length A (inches)
18 < D ≤ 18- <sup>5</sup> / <sub>8</sub>	3/4
18- <sup>5</sup> / <sub>8</sub> < D ≤ 19- <sup>3</sup> / <sub>4</sub>	1- <sup>3</sup> / <sub>4</sub>
19- <sup>3</sup> / <sub>4</sub> < D ≤ 22	4

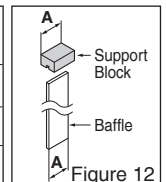


Figure 12

## PROCEDURE B

- 6** Remove the backing from the support blocks and attach them to the inside of the wall sleeve as shown in Figure 13. Slide the baffle into slots of the support blocks.

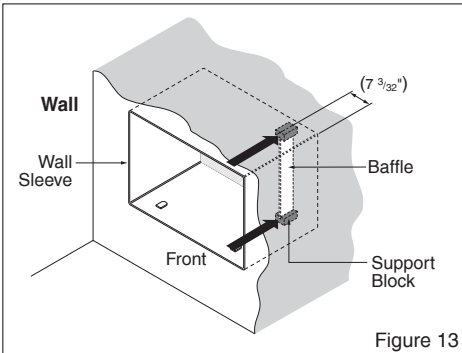


Figure 13

- 7** Install the new unit into the wall sleeve.
- 8** Assemble trim as described in Step 5, Procedure A.

### **!** CAUTION

- Air conditioners covered in this manual pose an excessive weight hazard. Two or more people are needed to move and install the unit. To prevent injury or strain, use proper lifting and carrying techniques when moving unit.
- When handling the air conditioner, be careful to avoid cuts from sharp metal fins on front and rear coils.
- Make sure air conditioner does not fall during removal.
- If unit does not operate after installation check, to be sure the circuit interrupter has not been tripped. Refer to the Troubleshooting guide for reset procedure.

## PROCEDURE C

- 1** Redirect the louvers at the back of the wall sleeve to 60° angle as shown in the Figure 14. The use of pliers is recommended.

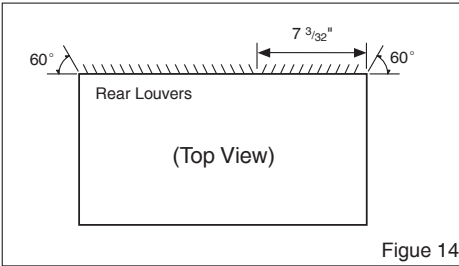
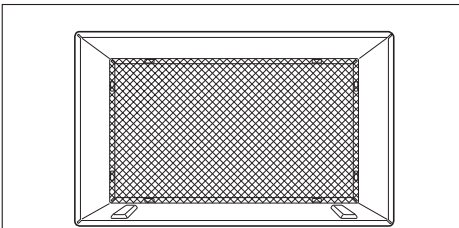


Figure 14

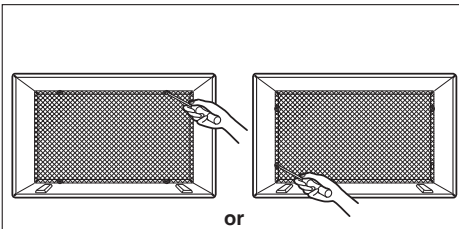
- 2** If the wall sleeve already has a rear grille, skip to step 4. If the wall sleeve does not have a rear grille or louvered panel, install the plastic grille from the kit. Cut the plastic grille to 26-1/2" wide and 15-1/2" high. Place the plastic grille to the inside of the wall sleeve at the rear flange.



Place the plastic grille

Figure 15

- 3** Fasten the 4 washer screws to secure the grille to the wall sleeve. If you need plastic nuts to mount plastic grille to the inside of the wall sleeve, there are plastic nuts in the installation kit. The nuts are installed from the inside of the sleeve and are pressed into the square holes of the rear flanges.



Fasten the screws

Figure 16

- 4** Remove the backing from the horizontal insulation strip  $23\frac{7}{32} \times 1\frac{3}{8} \times 1\frac{3}{16}$  and attach that to the inside right of the sleeve as shown below. Remove the backing from the around insulation strip  $59\frac{27}{32} \times 1\frac{3}{8} \times 1\frac{3}{8}$  and attach that to the inside front of the sleeve as shown below.

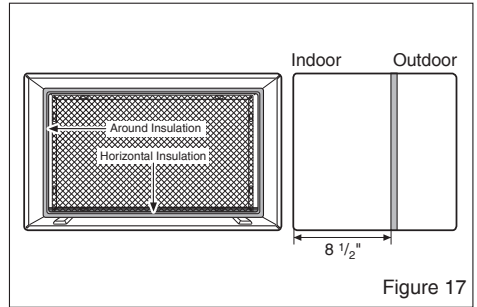


Figure 17

- 5** If the depth of your existing sleeve is less than or equal to 18", skip to step 7. Otherwise, cut the baffles and the support blocks according to Length A in the table below.

Depth D of the existing wall sleeve (inches)	Length A (inches)
$18 < D \leq 18\text{-}\frac{5}{8}$	$\frac{3}{4}$
$18\text{-}\frac{5}{8} < D \leq 19\text{-}\frac{3}{4}$	$1\text{-}\frac{3}{4}$
$19\text{-}\frac{3}{4} < D \leq 22$	4

Figure 18

- 6** Remove the backing from the support blocks and attach them to the inside of the wall sleeve as shown in Figure 19. Slide the baffle into slots of the support blocks

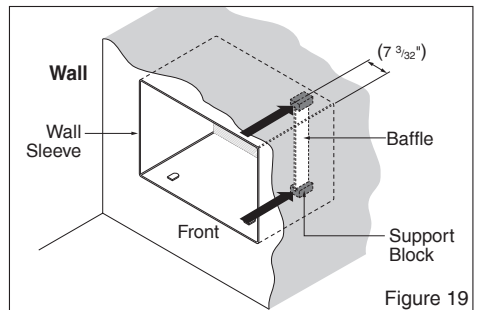
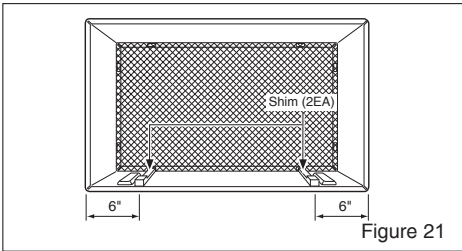
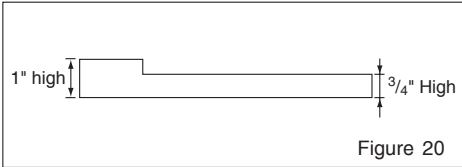


Figure 19

- 7** To achieve rearward slope for unit draining, remove the backing from the 8 1/2" shim strips and attach them as shown below in Figure 21. The higher portion of shim is to be placed in front of the rib on the base of wall sleeve.



- 8** Install the new unit into the wall sleeve.
- 9** Assemble trim as described in Step 6, Procedure A.

## ⚠ CAUTION

- Air conditioners covered in this manual pose an excessive weight hazard. Two or more people are needed to move and install the unit. To prevent injury or strain, use proper lifting and carrying techniques when moving unit.
- When handling the air conditioner, be careful to avoid cuts from sharp metal fins on front and rear coils.
- Make sure air conditioner does not fall during removal.
- If unit does not operate after installation check, to be sure the circuit interrupter has not been tripped. Refer to the Troubleshooting guide for reset procedure.