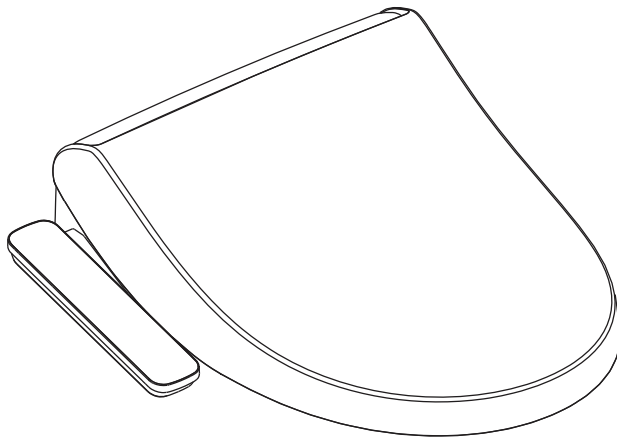




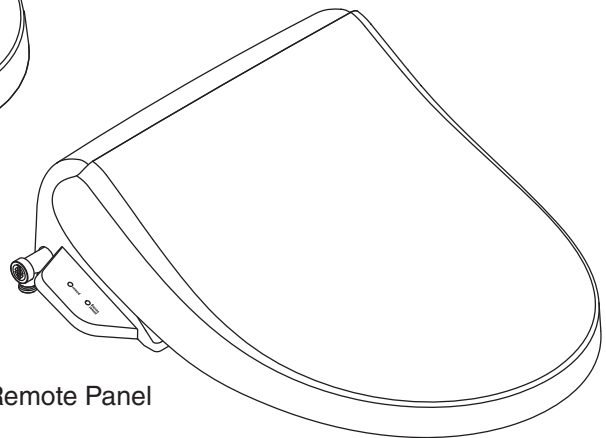
INSTALLATION & USER'S MANUAL

Advanced Clean

SpaLet™



Side Panel



Remote Panel

Thank you for purchasing this product.

After reading this manual, please keep it in a place where you can refer to it easily.

BE SURE TO FOLLOW THE SAFETY PRECAUTIONS.

Failure to follow the safety precautions may result in serious accidents in some circumstances.

Each of these items are extremely important for safety, and should be strictly observed.

In the event that an accident occurs as a result of improper usage, American Standard will assume no responsibility for damages.

©2017 AS America Inc.
SPALET is a trademark of AS America, Inc.



760230-110

INSTALLATION TABLE OF CONTENTS

1. Important Safeguards	3
2. Product Description	5
3. Installing This Product	6
Installation Requirements	6
Contents	6
Ground Fault Circuit Breaker	7
Power Supply	7
Grounding	7
Installation Location	7
Water Supply	7
Checking the Bathroom	7
Measure the size of the Toilet	8
Conditions for using Water Supply Hose	8
Illustrated Parts Breakdown	9
Overview	9
Strainer	9
Operating Panel	10
Installation	11
Operational Check	16
4. Operation Manual / Table of Contents	17

1. IMPORTANT SAFEGUARDS

When using electrical products, especially when children are present, the basic safety precautions should always be observed.

READ ALL THE INSTRUCTIONS BEFORE USING THIS PRODUCT

The following safety terms are used in this manual to warn against different hazardous situations:

DANGER– To reduce the risk of electrocution:

1. Do not place or store product where it can fall or be pulled into a tub or sink.
2. Do not place in or drop into water or other liquid.
3. Do not reach for a product that has fallen into water. Unplug immediately.



WARNING

To reduce the risk of burns, electrocution, fire or injury to persons:

1. When small children, elderly persons, persons with limited mobility or people with illness are using this product, ensure that the proper operating procedures are followed at all times to ensure the user's safety.
2. When you are using this product for a long period of time, set the seat temperature to "Off".
For the following persons, be sure to set the seat temperature to "Off" when they are using this product.
(Children, elderly persons, persons with illness, persons with limited mobility, persons with sensitive skin, persons who are taking medicines that cause drowsiness, persons who are intoxicated, or persons who are extremely fatigued.)
* Using the toilet for a long period of time without setting the seat temperature to "Off" may result in low temperature burns.

Low Temperature Burns

A low temperature burn may occur when the skin has been in contact for some time with an object at relatively low temperature (about 104 °F [40 °C]). Susceptibility to burns also depends on an individual's skin sensitivity and other factors.

3. This product should be used only as described in this manual. Do not use attachments that are not recommended by the manufacturer.
4. Never operate this product if it has a damaged cord or plug, if the plug is loose in the outlet, if it is not working properly, or if it has been dropped or damaged. If the plug is inserted or disconnected by holding the cord, the plug or cord may be damaged resulting in fire or electric shock.
5. Keep the cord away from heated surfaces.

continued on page 4

6. Never block the air openings of the product. If lint or hair, etc. is stuck in the air openings, remove it immediately.
7. Never use while sleeping or feeling drowsy.
8. Never drop or insert any object into any opening or hose.
9. Connect this product to a properly grounded outlet only. See Grounding Instructions.
10. This product should only be connected to a potable water supply line. Failure to do so will cause problems in the operation.
11. Do not pull out or insert the power plug with wet hands.
12. Disconnect the power plug periodically and clean it with a dry cloth. Dust accumulated on the power plug may cause fire.
13. Do not use outdoors or operate where aerosol (spray) products are being used or where oxygen is being administered.

To reduce the risk of minor injury or property damage:

1. This product should only be connected to a 120 V AC, 60 Hz GFCI-protected outlet.
2. For care of the plastic parts, our company recommends the use of a mild liquid or an all-purpose cleaner. Avoid using abrasive products (such as powdered cleansers) and chlorine-based products (such as bleach), as these products can damage the anti-bacterial properties of the plastic components.
3. If the toilet seat or the body cover is damaged, pull the power plug out of the outlet.
4. Do not stand on the toilet seat lid, as it may break.
5. Do not lean back against the lid during use, as this may damage or break the lid.
6. Install this product according to this installation manual. Improper installation may result in electrocution, fire, or a water leak.
7. Do not forcefully pull on the bidet nozzle or turn it as this may cause it to fail.
8. Do not apply unnecessary force to the water supply hose as it could result in damage and cause water to leak
9. To prevent the toilet seat and toilet seat lid from slamming down, a damping mechanism is provided to lower them gradually. If the toilet seat or toilet seat lid is closed abruptly or too forcefully, this product could be damaged or fail.

SAVE THESE INSTRUCTIONS

2. Product Description

This product incorporates a set of features to improve personal toilet hygiene and comfort. These features include rear cleansing, front cleansing and a seat heater as well as the required controls for these features.

This product includes a seat unit (with heated toilet seat, toilet seat lid, warm water tank, and power cord), hardware for installing the seat unit on a toilet and connecting it to the water supply and this installation and user's manual.

This product incorporates the following features:

- rear cleansing with water flow strength controls
- front cleansing with water flow strength controls
- seat heater with heat level control
- rear and front cleansing water temperature control
- seat and water temperature indicators
- rear and front nozzle self-cleaning
- stop button for rear cleansing, front cleansing

Note:

- When transporting the product, take care not to inadvertently bump or drop it.
- This product has been already inspected using tap water. A small amount of water may be detected when installing the unit; this should not be a cause for concern.

3. Installing This Product

Installation Requirements

Before installing this product, ensure that each of the following installation requirements are met.

Contents

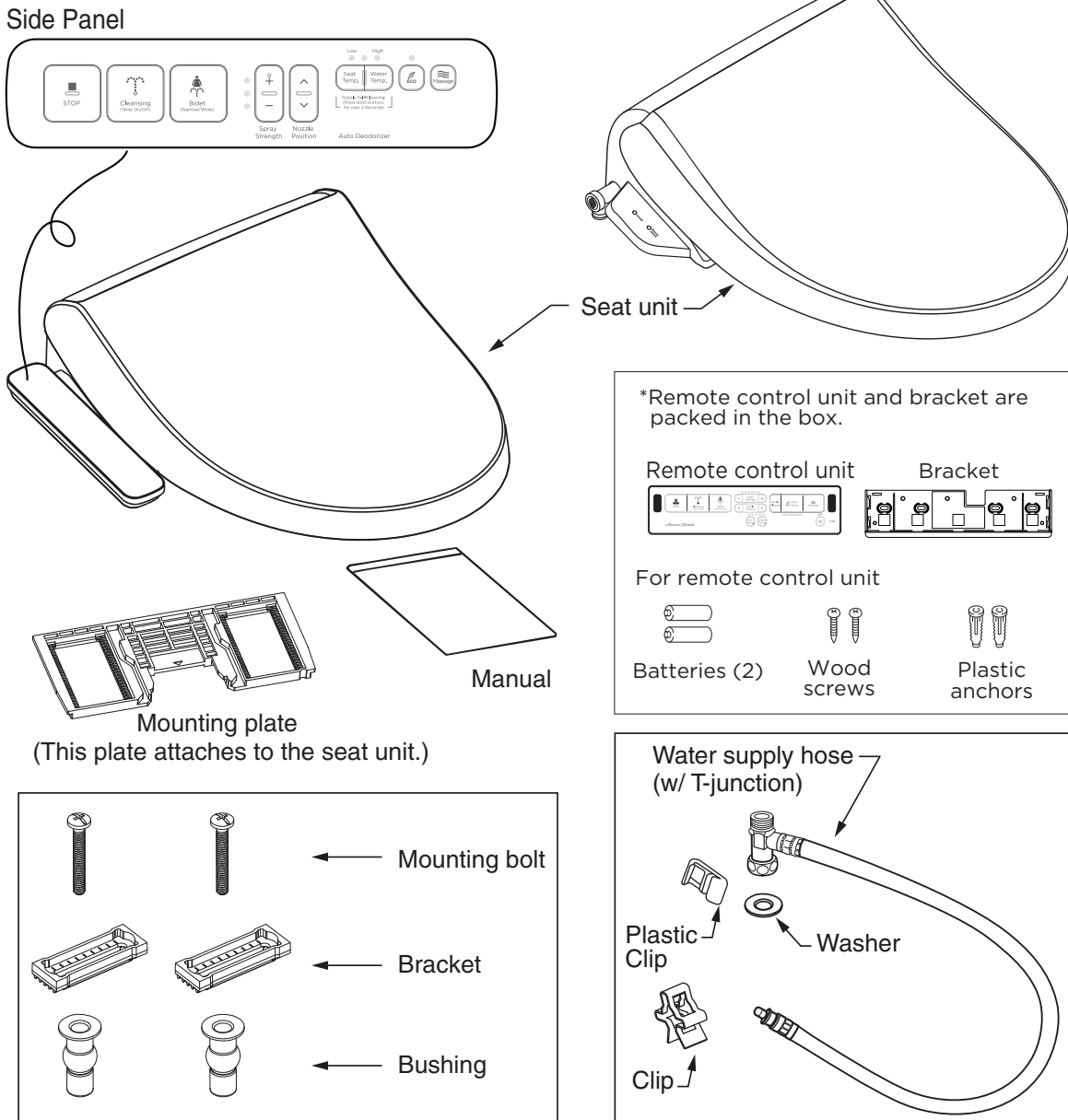
Remove the parts from the box and make sure all the parts in the parts list (below) are present. Inspect the parts carefully to make sure they are in good condition. If any part is damaged or missing, do not install this product. Contact a customer service representative for the part(s) you need.

The following parts are included:

- Seat unit (with heated toilet seat, toilet seat lid and power cord)
- Mounting plate
- Manual
- Mounting bolts, brackets, and bushings (2 pieces each)
- Seat unit water supply hose (with 1 clip and 1 washer)

FOR REMOTE VERSION ONLY:

- Remote control
- Bracket
- Batteries
- Wood screw
- Plastic anchors



GROUNDING INSTRUCTIONS

This product should be grounded. In the event of an electrical short circuit, grounding reduces the risk of electric shock by providing an escape wire for the electric current. This product is equipped with a cord having a grounding wire with a grounding plug. The plug must be plugged into an outlet that is properly installed and grounded.

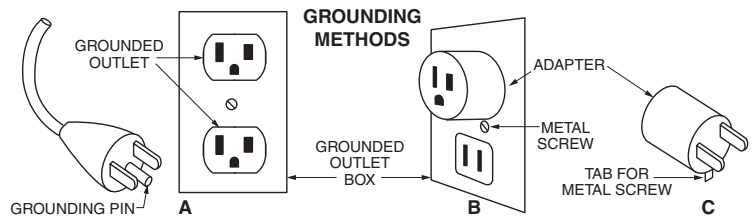
DANGER– Improper use of the grounding plug can result in a risk of electric shock.

If repair or replacement of the cord or plug is necessary, do not connect the grounding wire to either flat blade terminal. The wire with insulation having an outer surface that is green with or without yellow stripes is the grounding wire.

Check with a qualified electrician or serviceman if the grounding instructions are not completely understood, or if in doubt as to whether the product is properly grounded.

This product is for use on a nominal 120 V circuit, and has a grounding plug that looks like the plug illustrated in sketch A. A temporary adapter, which looks like the adapter illustrated in sketches B and C, may be used to connect this plug to a 2-pole receptacle as shown in sketch B if a properly grounded outlet is not available. The temporary adapter should be used only until a properly grounded outlet (sketch A) can be installed by a qualified electrician. The green colored rigid ear, lug, and the like extending from the adapter must be connected to a permanent ground such as a properly grounded outlet box cover. Whenever the adapter is used, it must be held in place by the screw.

If it is necessary to use an extension cord, use only a three wire extension cord that has a three-blade grounding plug, and a three-slot receptacle that will accept the plug on the product. Replace or repair a damaged cord.



Installation Location

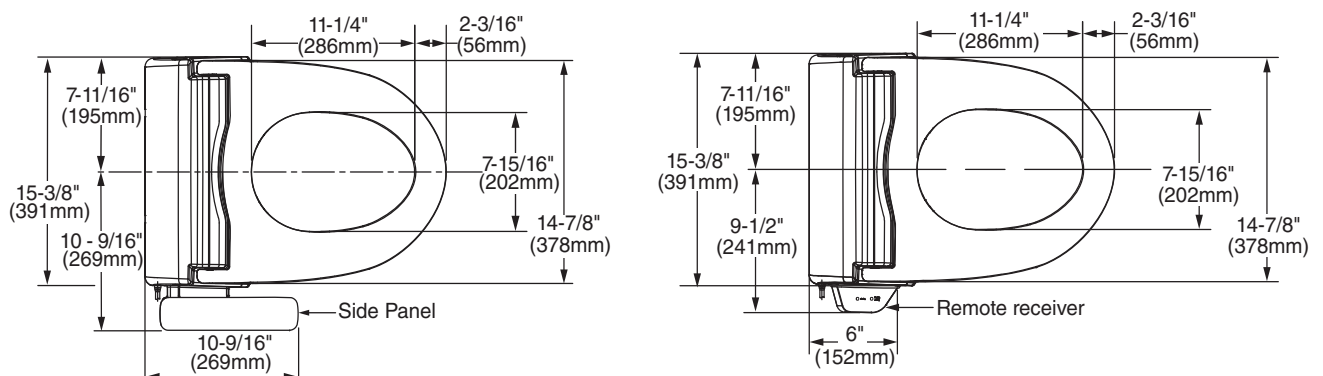
In order to prevent damage to the electronic components, install this product at a location that minimizes the possibility of it getting wet. In extremely humid conditions, provide adequate ventilation by operating an exhaust fan or opening a window or door.

Water Supply

Use only the tap water line to supply water to this product. The use of any other type of water i.e. ground water or well water may reduce functionality of product. The tap water pressure must be 8.5 to 106.7 psi (0.06 to 0.74 MPa, 0.6 to 7.5 kgf/cm²).

Checking the Bathroom

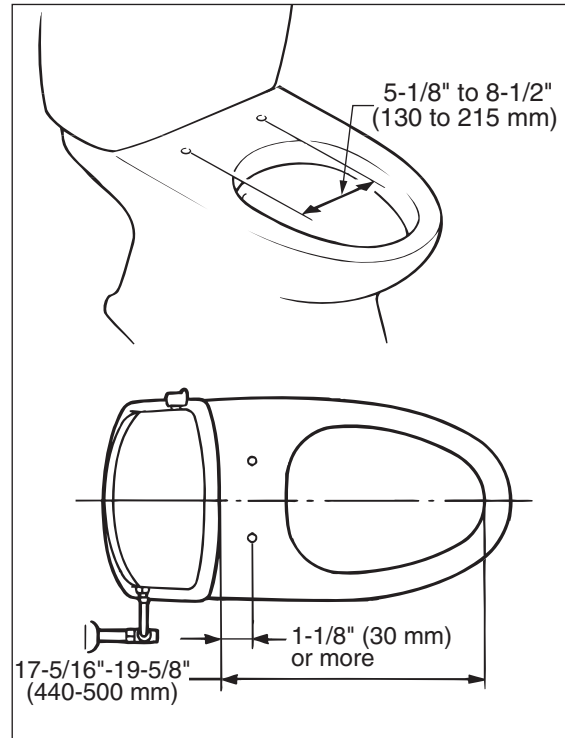
The dimensions required for mounting this product on a toilet are shown in the figure below. Check to make sure there is sufficient space inside the bathroom and that there are no obstructions.



1. Measure the size of the toilet.

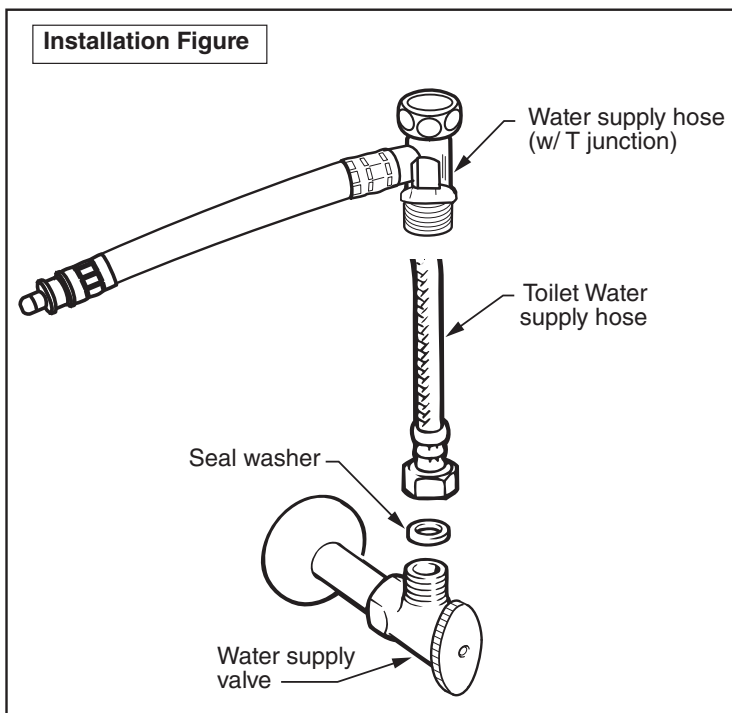
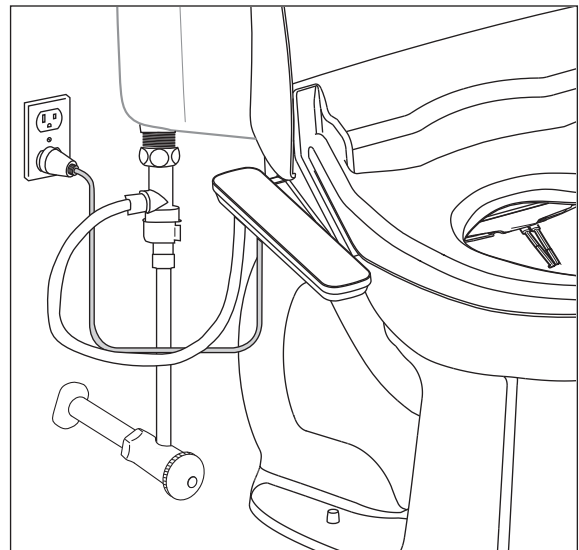
Depending on the size of the toilet, it may not be possible to mount this product on it.

Make sure the toilet's dimensions are as shown in the figure on the right.



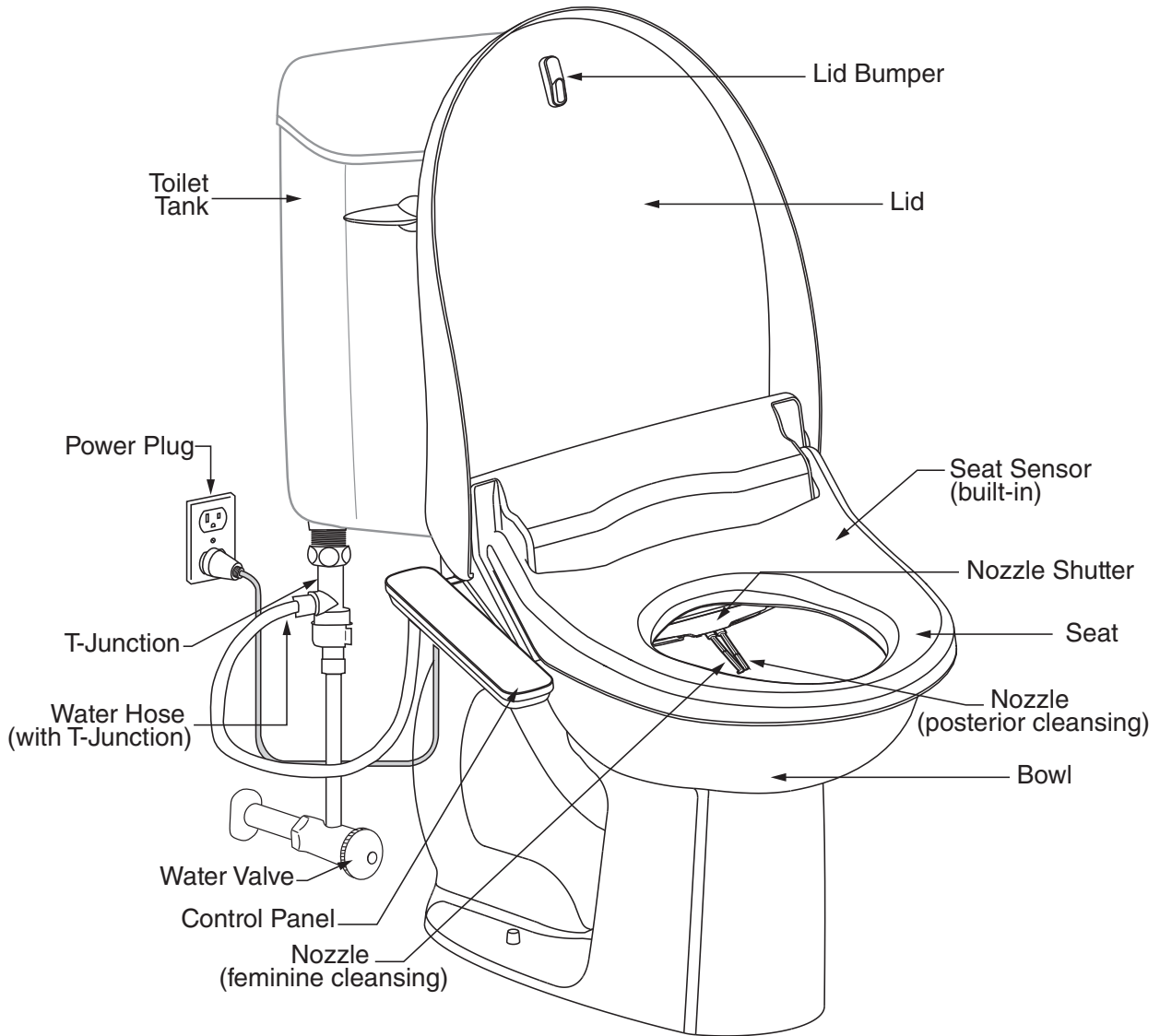
2. Conditions for using water supply hose (included)

The length of the water supply hose included with this product is $37\frac{3}{8}''$ (950 mm), but a length of $31\frac{1}{2}''$ (800 mm) from the junction fitting to the seat unit's water supply socket is appropriate. (Refer to the figure on the right)

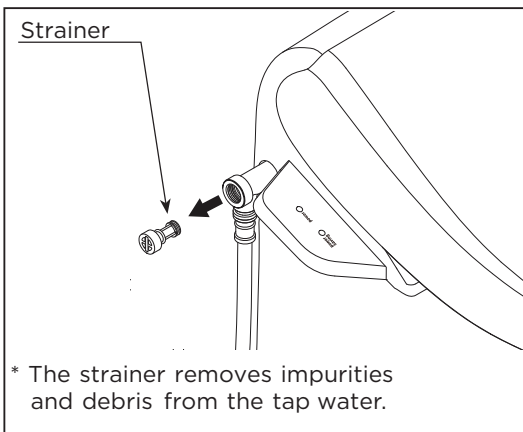


Illustrated Parts Breakdown

Overview

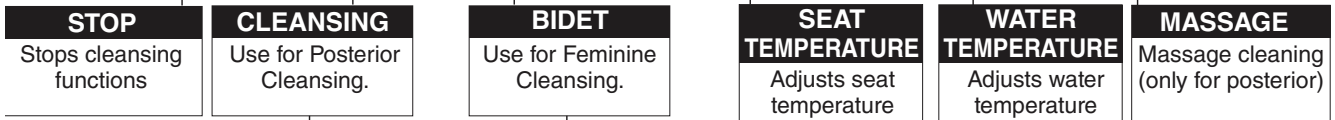
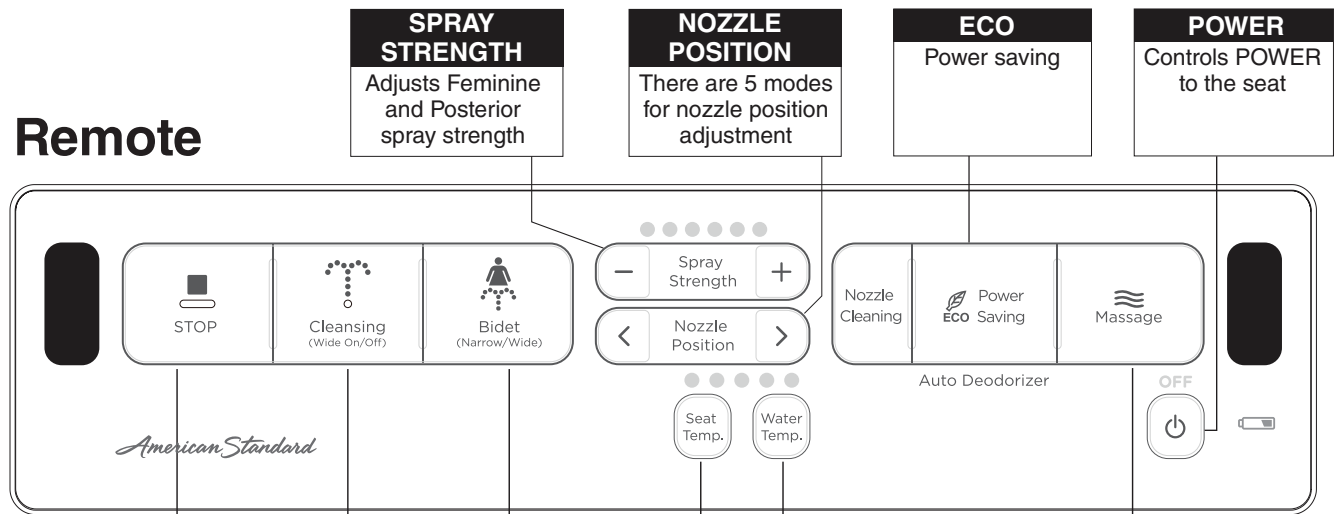


Strainer

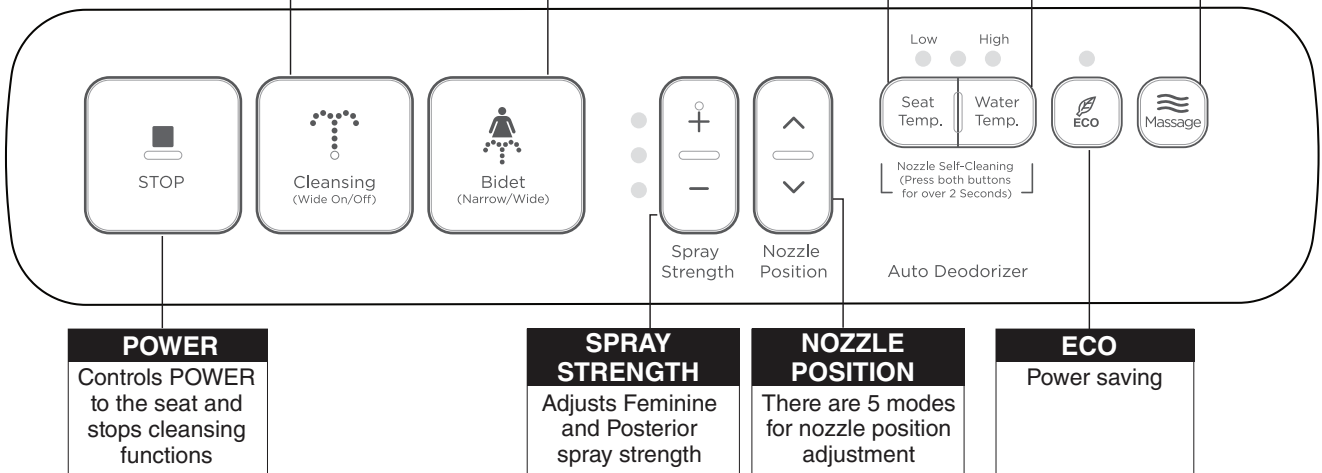


Operating Panel

Remote



Side Panel



1. Required tools

Have the following tools for installing this product: adjustable end wrench, Phillips head screwdriver, flat-blade screwdriver.

2. Install the junction fitting

- 1) Close the toilet water shutoff valve fully.
- 2) Flush the toilet and empty all the water from the tank.
- 3) Place a wash bowl or other container underneath the tank water supply hose. Then loosen the box nut on the tank inlet side and remove it.

CAUTION

- Be careful not to damage the water supply hose.

- 4) Place the packing in the junction fitting box nut and connect the tank inlet to the junction fitting.

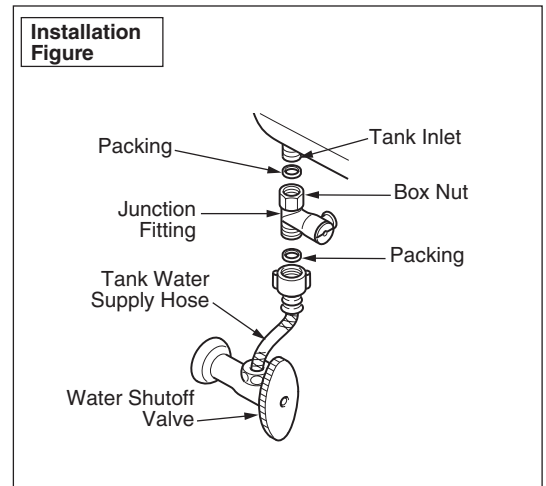
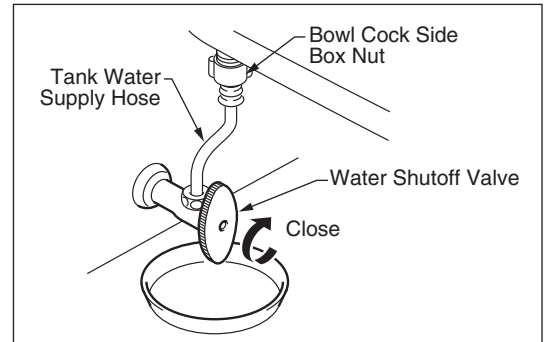
CAUTION

- Do not overtighten the nut.

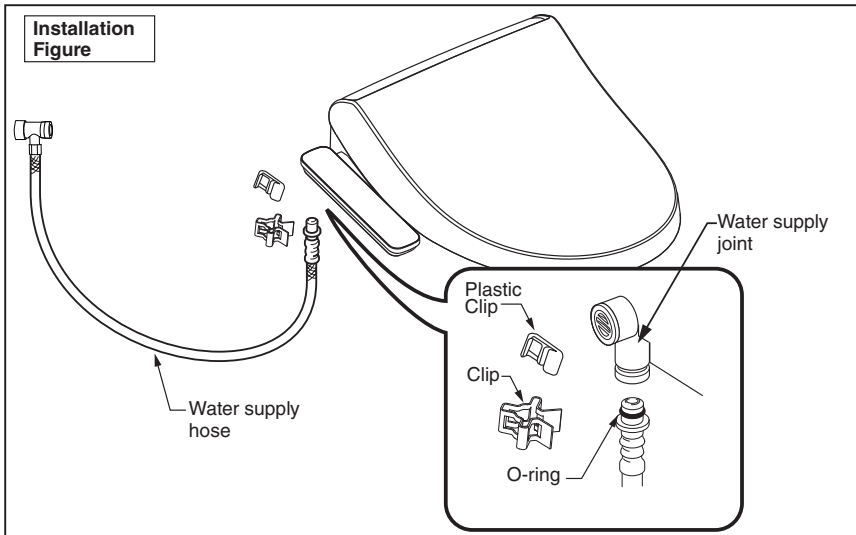
- 5) Insert the packing in the tank water supply hose box nut and connect the tank water supply hose to the junction fitting.

CAUTION

- Do not overtighten the nut.

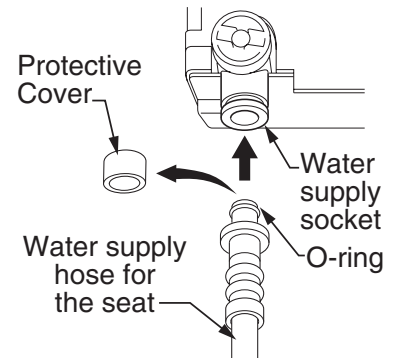


3. Installation of water supply hose to the bidet



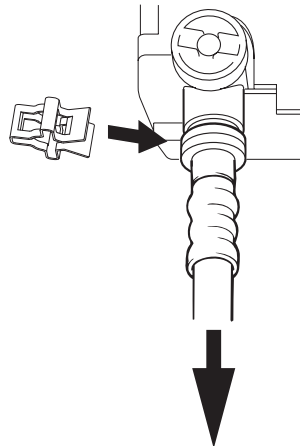
- 1) Remove the protective cover from the end of the water supply hose, and pull out the cap from the water supply connection socket.
- 2) Connect the water supply hose for the bidet to the water supply connection socket.

WATER SUPPLY CONNECTION SOCKET



- 3) Insert the attachment clip onto the water supply hose to attach it to the bidet and water supply connection socket.

*The attachment clip can be attached in any direction.



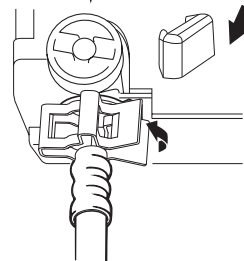
CAUTION

- Be careful not to damage the O-ring.
- *A damaged O-ring may cause water to leak.

CAUTION

- Firmly insert the clip.
- *If the clip is not firmly inserted, it may cause water leaks.

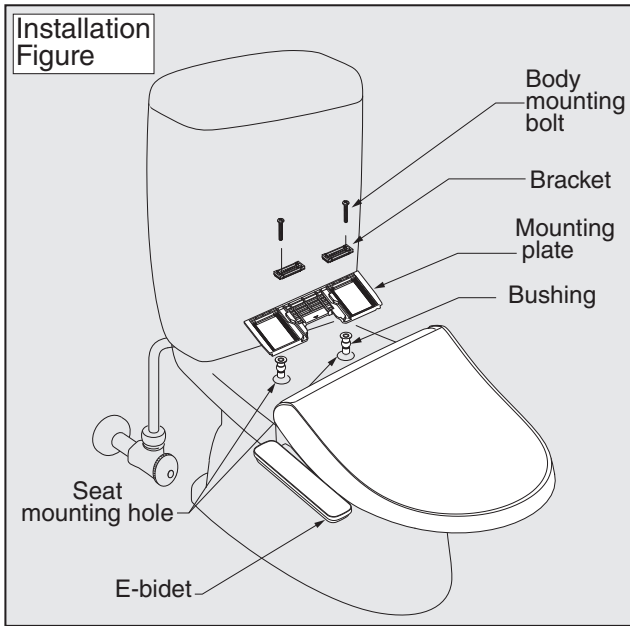
- 4) Bend the clip end and firmly clip together both the feeding hose for the bidet and the feeding socket. After you install the clip, twist it in both directions to verify that it is firmly attached, then attach the final attachment clip over the primary clip to secure in place.



- 5) Insert the clip until you feel the clip edge click.

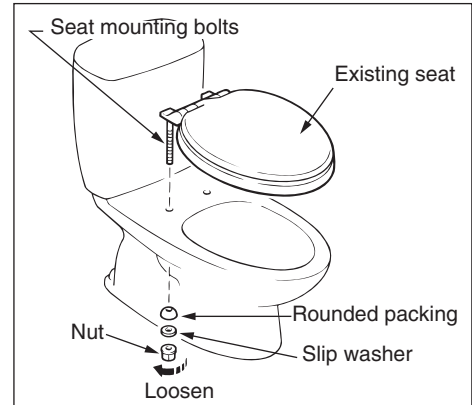
*If not firmly inserted, it may cause water leaks

4. Installation of the bidet



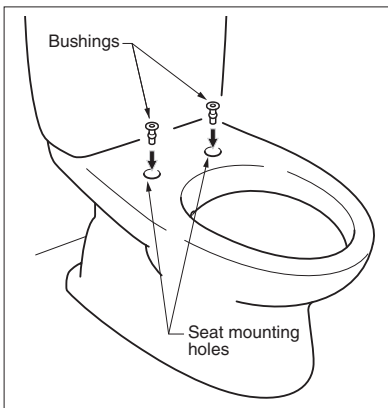
(1) Remove the existing seat.

- 1) Remove the nuts from the seat mounting bolts, the slip washers, and rounded packing.
- 2) Raise the seat and remove it by lifting the seat mounting bolts.

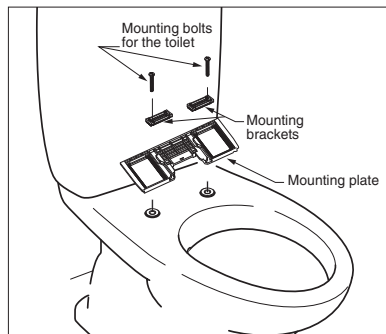


(2) Install the slide plate onto the seat.

- 1) Insert the bushings into the seat mounting holes.



- 2) Insert the mounting bracket into the mounting plate and use the mounting bolts to attach the slide plate to the seat.

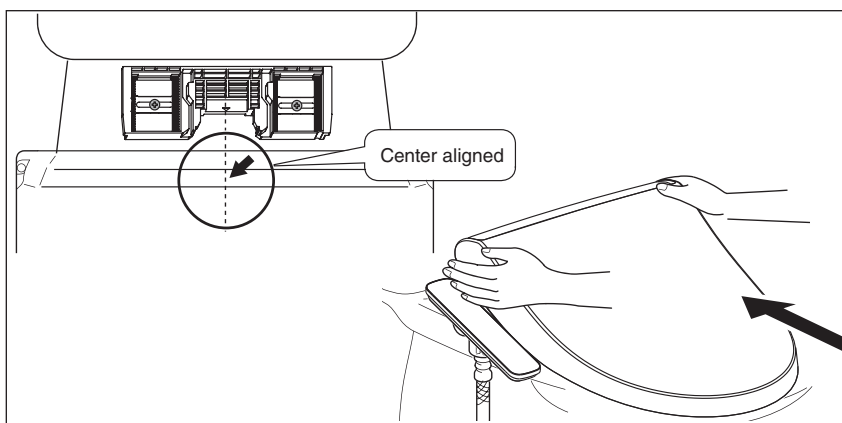


References

- Some toilet seats may require different methods of removal that differ from our explanation.

(3) Install the bidet.

- 1) Place the bidet on the toilet and align the seat to the mounting plate.
- 2) Slightly raise the front side of the bidet, slide it until the slide plate is fully inserted, and then press the locking lever to secure the bidet.



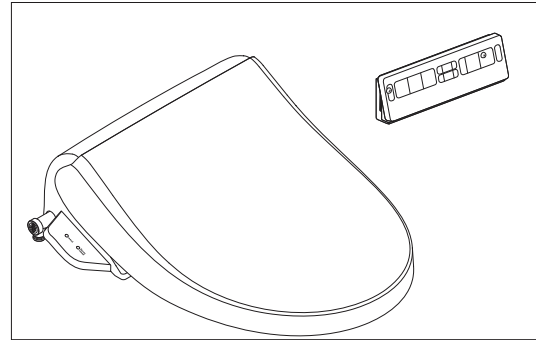
5. Install the remote control unit

* For Remote Version Only

- (1) Open the back cover of the remote control unit and insert the 2 size AA batteries.

CAUTION

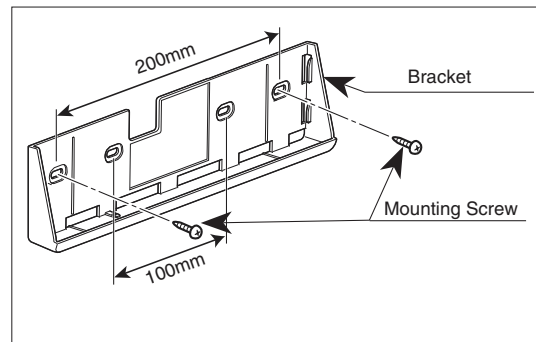
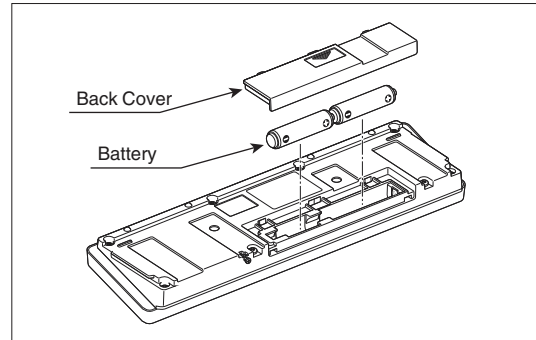
- Insert each battery so its positive pole touches a positive connector in the battery compartment and its negative pole touches a negative connector.



- (2) Position the bracket on the wall in the location you chose for the remote control unit. Mark the location of the mounting holes on the wall. Fasten the bracket to the wall, drilling holes and using the fasteners appropriate for the wall material, as described below.

CAUTION

- Leave enough space above the top of the remote control unit to allow the unit to be removed and replaced.

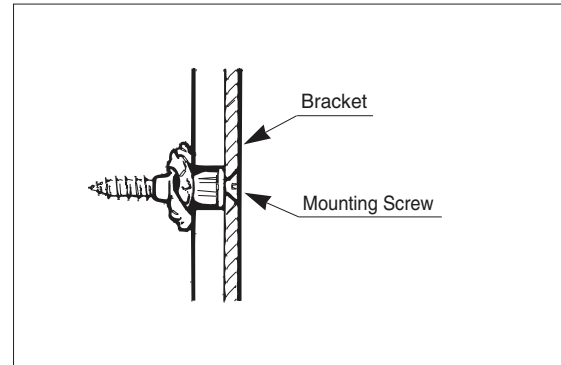
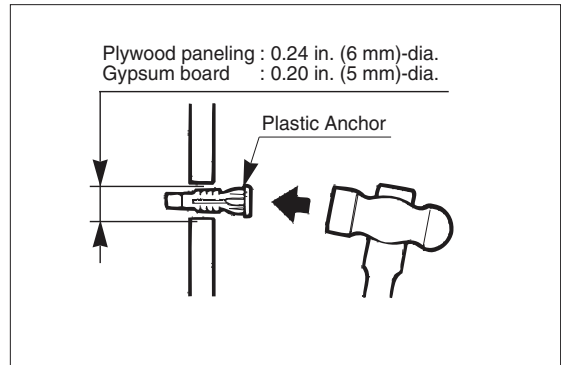


If mounted in plywood paneling 0.20 in. (5 mm) or greater in thickness:

Fasten the bracket to the wall with the mounting screws.

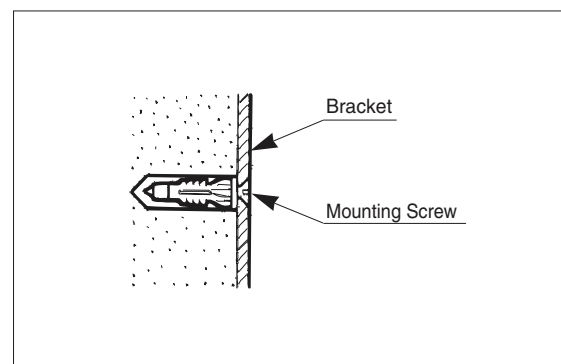
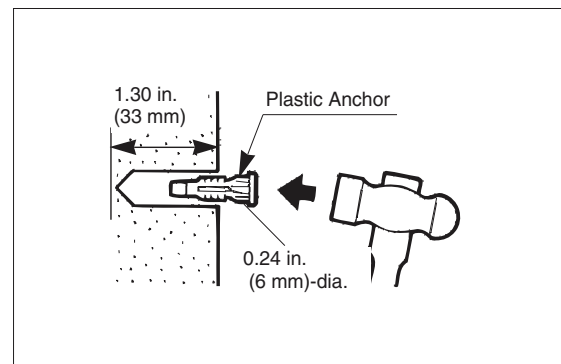
If mounted either in plywood paneling 0.20 in. (5 mm) or less in thickness or in gypsum board:

- 1) In plywood paneling, drill holes with a diameter of 0.24 in. (6 mm); in gypsum board, drill holes with a diameter of 0.20 in. (5 mm):
- 2) Using a hammer, gently drive the plastic anchors into the holes.
- 3) Fasten the bracket securely to the anchors using mounting screws. As you tighten the screws, they are hard to turn at first, then gradually get easier to turn, and then are hard to turn again.

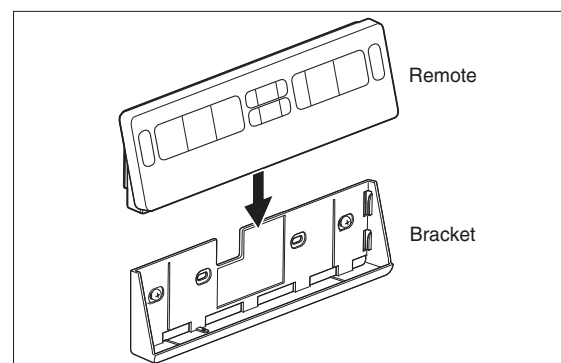


If mounted in concrete:

- 1) Drill holes with a diameter of 0.24 in. (6 mm) and a depth of approximately 1.30 in. (33 mm).
- 2) Using a hammer, gently drive the plastic anchors into the holes.
- 3) Fasten the bracket securely to the anchors using mounting screws.



- (3) Align the remote control unit with the bracket and then push it down onto the bracket.

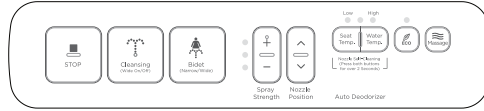
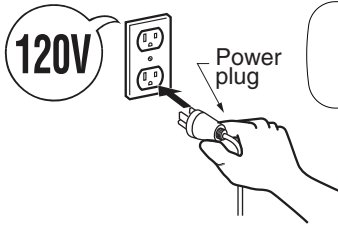


Operational Check

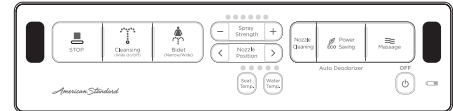
Follow the procedure below after the installation work has been completed.

1. Insert the power plug into the outlet.

Confirm that the LED on the seat unit is lit.



Side Panel Version

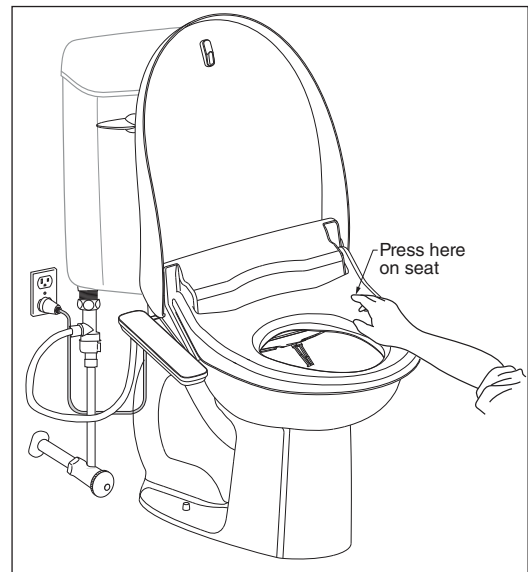


Remote Control Version

2. Check the Feminine and Posterior cleansing spray.

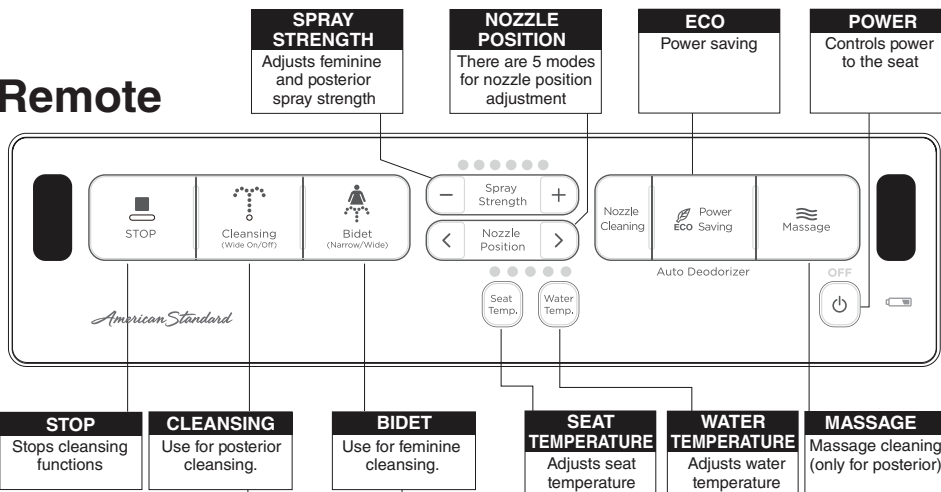
(1) Check the cleansing operation.

- 1) With your forearm resting on the toilet seat, press the cleansing button. The shower automatically stops two minutes after the switch is turned on.
- 2) When the nozzle extends, cover the tip of the nozzle with your hand to catch the spray.
- 3) Press the STOP button to stop the cleansing spray.

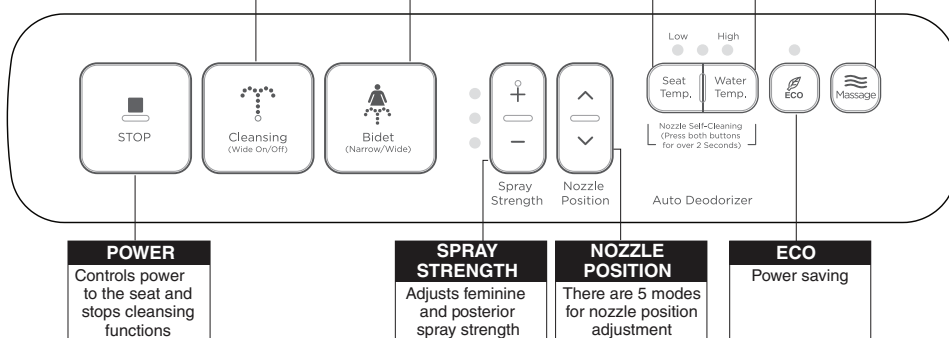


(2) Perform the same check using the front cleansing spray function.

Remote



Side Panel



OPERATIONAL MANUAL

TABLE OF CONTENTS

Additional Important Information.....	18
Product Functions.....	19
Side Panel / Remote Control.....	19
Preparations Before Use.....	20
How to Use the Basic Functions.....	21
How to Use the Convenient Functions.....	24
Maintaining This Product.....	28
Cleaning the Seat Unit.....	28
Cleaning the Nozzles.....	28
Changing the Nozzle Tip.....	28
Cleaning & Maintenance of the Deodorizing Screen.....	29
Cleaning the Inlet Strainer.....	30
Cleaning Areas Covered by the Toilet Seat Lid & Unit.....	31
Change Batteries for the Remote Control.....	32
Troubleshooting.....	33
Specifications.....	35
Warranty information & After-sales Support.....	36

Additional Important Information

- The capacity of the warm water tank is 0.88 L. Water temperature gradually drops when rear cleansing or front cleansing is used. If the water drops below a comfortable temperature, press the stop button and wait about 3 minutes for the water to reheat.
- The water temperature range is preset to the following temperatures:
 - Low: Approx. 90 °F (32 °C),
 - Medium: Approx. 93 °F (34 °C),
 - High: Approx. 97 °F (36 °C).It takes approximately 10 minutes to heat cold water (at about 41 °F [5 °C]) to the appropriate temperature (about 100 °F [38 °C]).

This product is designed to use the tap water pressure to extend the nozzles and spray water through them. When the tap water pressure is extremely low, the nozzles may not spray water at all when the water pressure is set to the lowest setting. If this occurs, adjust the Spray Strength.

When the toilet is new, a slight odor may come from the deodorizer. This will go away in a short time.

Before and after cleansing and when the water temperature adjustment button is pressed, etc., water is sprayed from the nozzle. This occurs by design and is not a cause for concern.

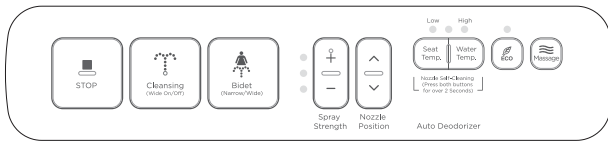
If water sprays while under any other configuration, or sprays constantly, close the water shutoff valve and remove the power plug from the wall outlet. Then, contact customer service.

This product is equipped with a seat sensor that prevents the water from spraying if nobody is sitting on the toilet seat. This prevents activation if the Bidet button is pressed when the toilet seat is unoccupied.

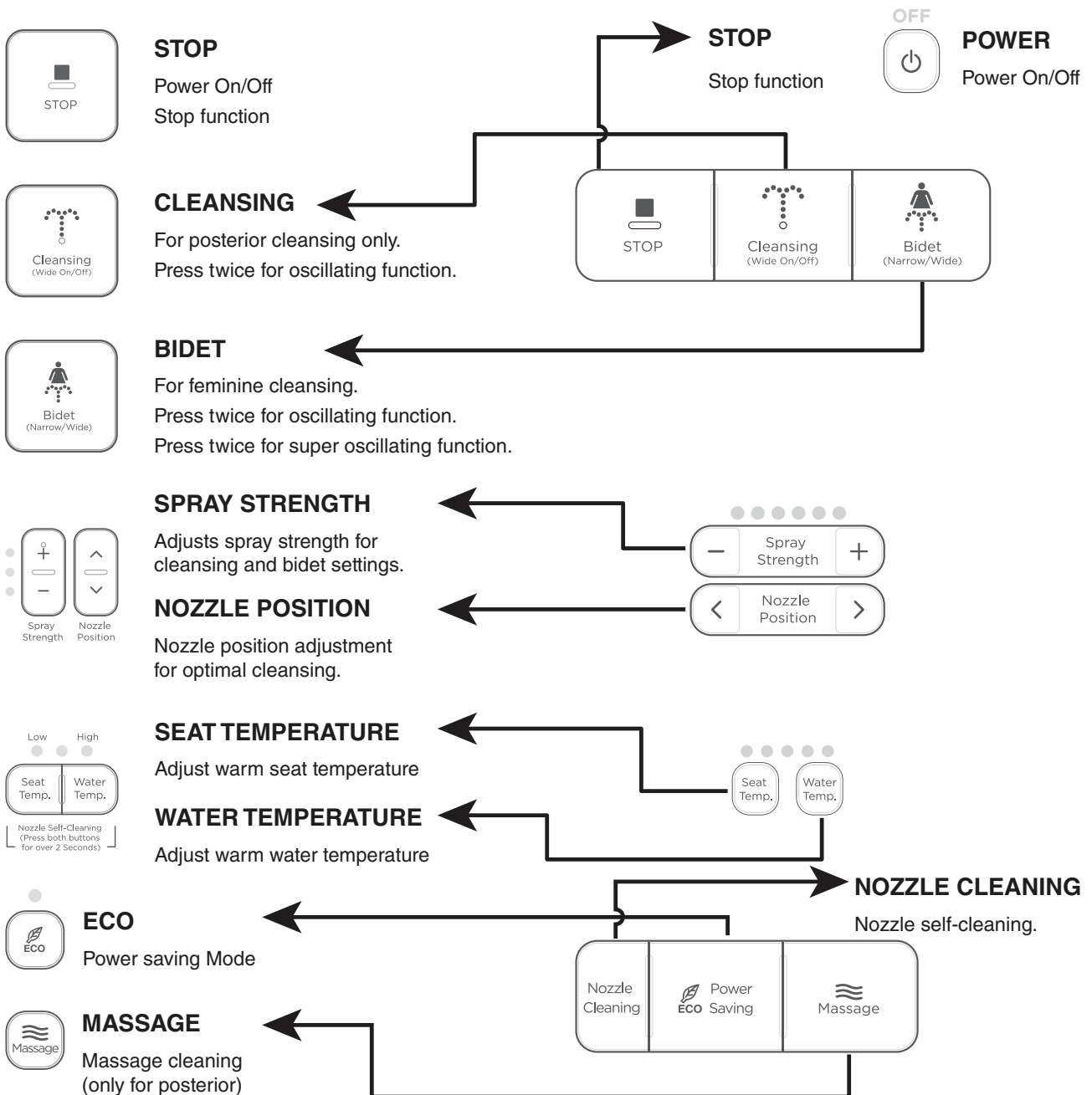
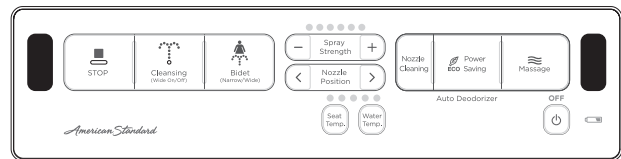


Product Functions

Side Panel



Remote



FOR DETAILED FUNCTIONS SEE OPERATION SECTION

Preparations Before Use

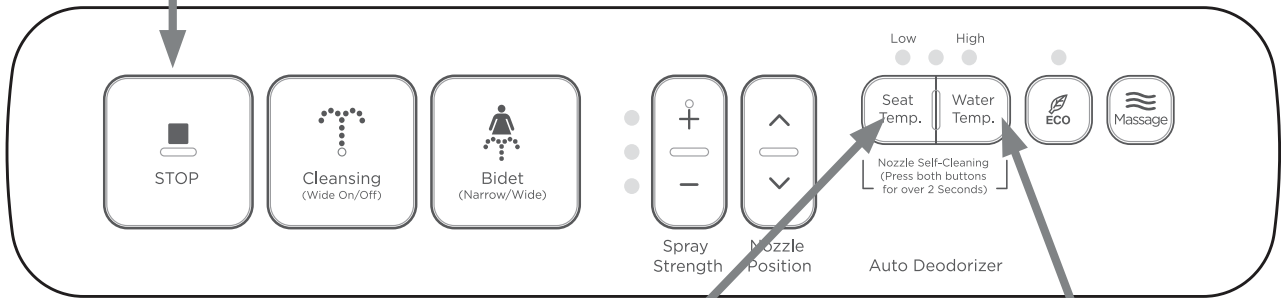
Performing the following operations before using the bidet allows you to use the toilet comfortably.

STOP (Turning the power on/off)

Press the STOP button to turn the power ON or OFF.

- * If the power is ON, the power LED on the indicator panel will light up.
- * When connecting the power cord to the outlet for the first time, the main power will automatically be on.

Side Panel



Seat Temp.

Adjust the temperature of the toilet seat using the Seat Temp. switch.

For Side Panel:

The seat temperature can be set to one of 3 default settings: HI, MID and LO.

For Remote Control:

The seat temperature can be set to one of 5 settings.

Set it to your preferred temperature.

- * The indicator LED cycles through the temperature settings each time the temperature button is pressed.
- * The indicator LED goes out after several seconds.
- * 2 additional settings above default, for side panel only

Water Temp.

Adjust the temperature of the bidet using the Water Temp. switch.

For Side Panel:

The water temperature can be set to one of 3 settings: HI, MID and LO.

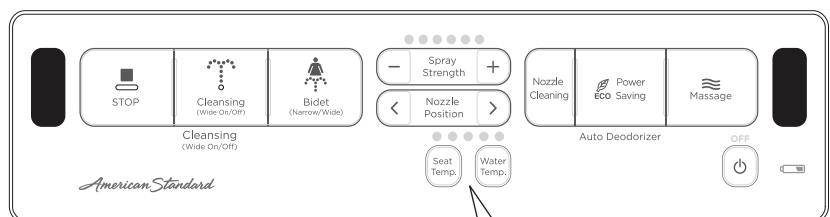
For Remote Control:

The water temperature can be set to one of 5 settings

Set it to your preferred temperature.

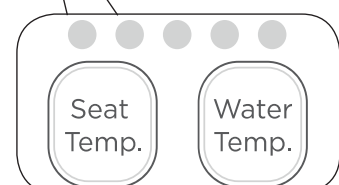
- * The indicator LED cycles through the temperature settings each time the temperature button is pressed.
- * The indicator LED stays on to indicate water temperature level.
- * 2 additional settings above default, for side panel only

Remote Control



Reference

- The toilet seat will not become warm instantly. To achieve a comfortable seat temperature, set the seat to the desired temperature about 10 to 15 minutes prior to use.
- This product is equipped with an ECO function that automatically switches the seat heater off when it is not occupied.
- The default setting for the seat temperature is "MID". The seat temperature can be increased or decreased incrementally.



How to Use the Basic Functions

Cleansing

Water is sprayed from the posterior cleansing nozzle.

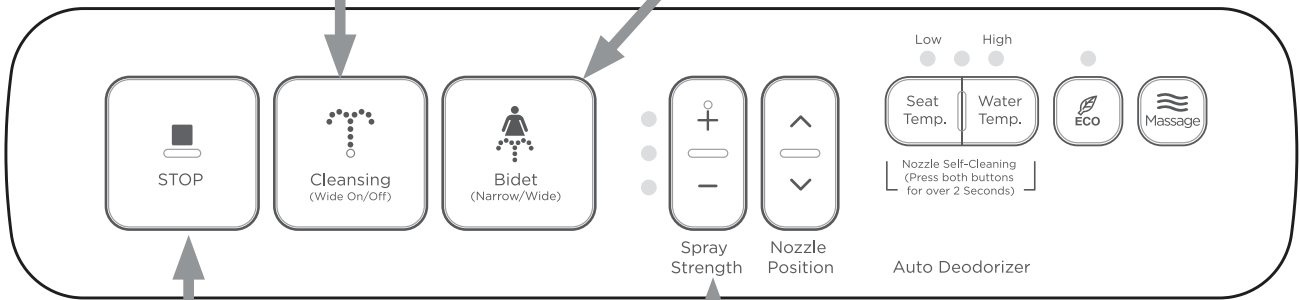
1 Press the Cleansing button.

Bidet

Water is sprayed from the feminine cleansing nozzle.

1 Press the Bidet button.

Side Panel



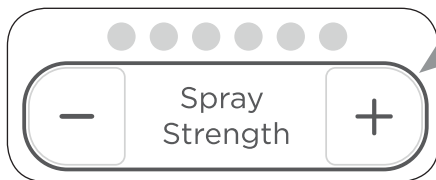
3 Press the STOP button to stop the spraying.

* An automatic self-stop function is included which stops both rear and front cleansing automatically after 2 minutes.

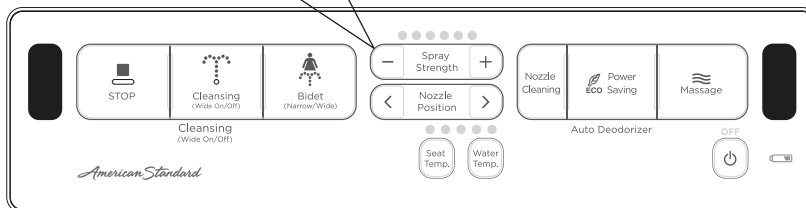
2 Press the [+] or [-] Spray Strength button to adjust the shower strength.

For Panel Control:
There are 3 levels of spray strength.
For Remote Control:
There are 6 levels of spray strength.
Adjust the spray strength as desired.

- * The indicator LED cycles through the spray strength settings each time the button is pressed.
- * The indicator LED goes out after several seconds 2 additional settings above default: press STOP and CLEANSING buttons simultaneously for 2 seconds.



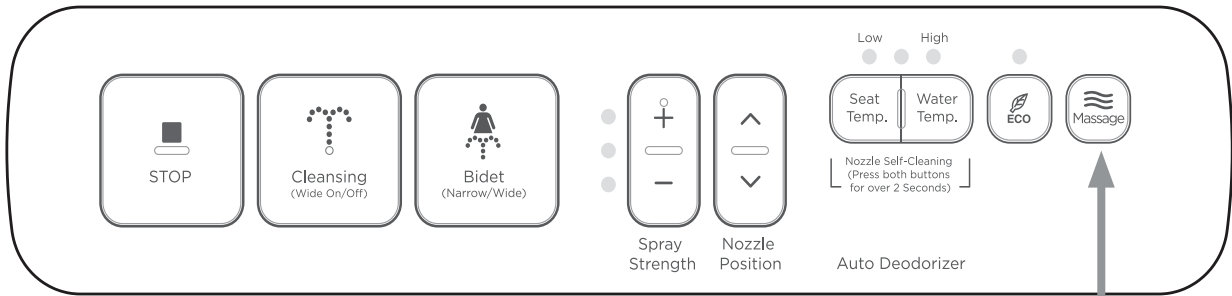
Remote Control



Massage Cleansing

Water pressure alternates between high and low during rear cleansing, providing a massaging effect.

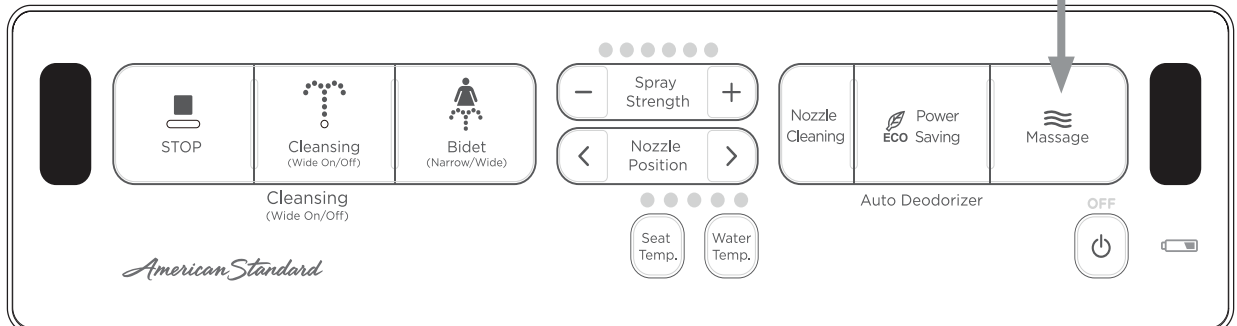
Side Panel



1 Press the Massage button during posterior cleansing.

2 To stop the massage spray, press the Massage button again.

Remote Control



Deodorizing

1 Deodorizing starts when a person sits on the toilet seat.

* This product is equipped with a deodorizer cartridge which absorbs odors from the toilet.

2 Deodorizing automatically stops after you stand up.

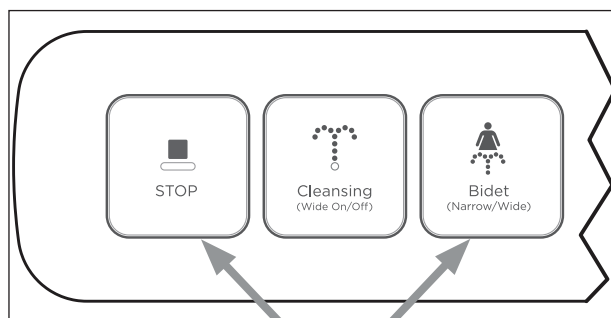
Stops after 5 seconds

To disable the deodorizer

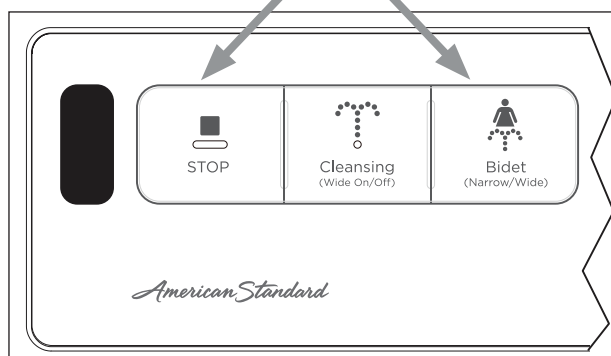
Press the STOP and Bidet buttons simultaneously for 2 seconds.

- * When the deodorizer feature is disabled, the power LED on the seat unit flashes momentarily. At this point, the deodorizer will no longer activate when a user is detected.
- * To restore the deodorizer function, press the STOP and Bidet buttons simultaneously for 2 seconds.

Only for Side Panel



Press the buttons simultaneously for 2 seconds.



Only for Remote Control

How to Use the Convenient Functions

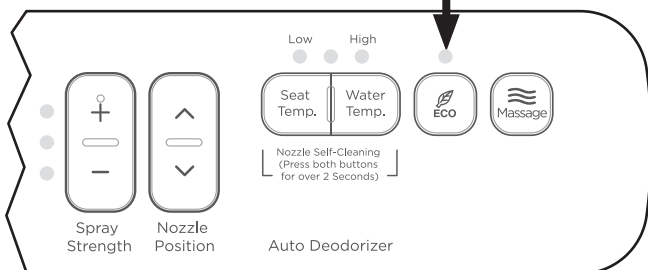
ECO button

One-Touch Power Save: Reduces power consumption by turning off the water and seat heater for 8 hours. The power settings are automatically restored after 8 hours.

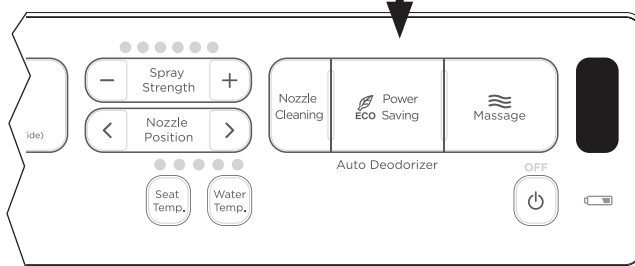
One-touch power save (8 hours)

1 Press the ECO button.
 For side panel, the power save ECO LED lights up.
 For remote control, the power save ECO LED lights up on the seat next to the power LED.

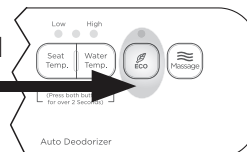
Only for Side Panel



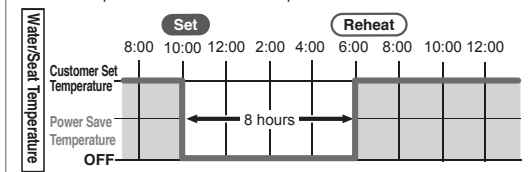
Only for Remote Control



Only for Side Panel



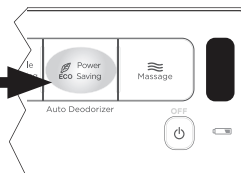
For example: when one-touch power save is set for 10:00



* For Side Panel:
 When the One-Touch Power Save function is running, the ECO LED lights up.

* For remote control:
 the ECO LED lights up on the seat

Only for Remote Control



- * Once 8 hours have passed, the power settings will automatically return to their original state. The power save LED will switch from flashing to off.
- * The one-touch power save is not automatically repeated everyday, but can be set any number of times in a day.

2 To cancel the ECO mode function, press the ECO button again.
 (The ECO power save LED will go out.)

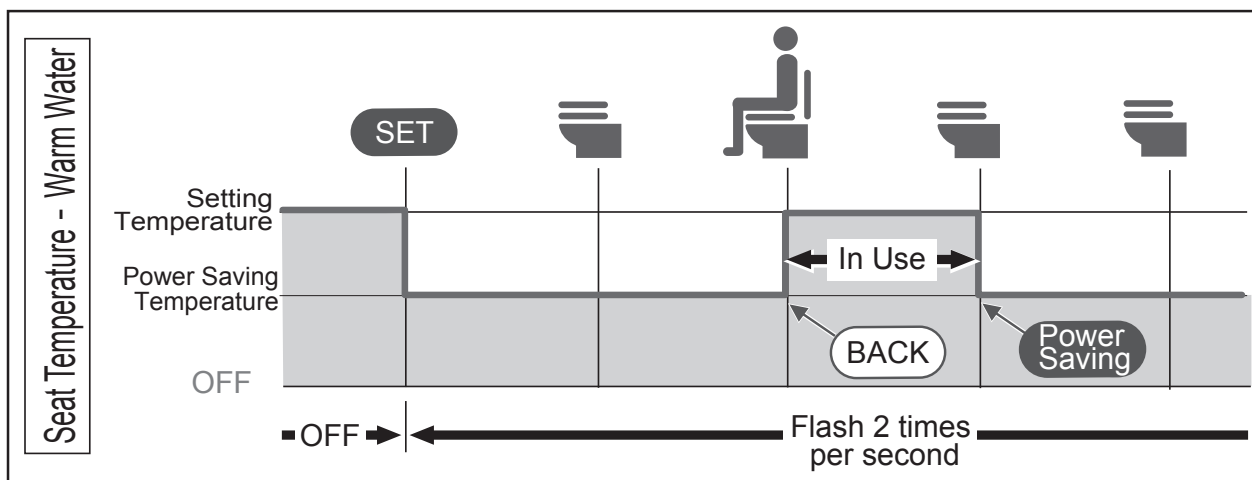
- * You can use the toilet even when the ECO save function is operating. However, you may feel that the water is cold as the heater for water and the toilet seat is turned off. If desired, you may turn off the ECO save function.
- * Even when the ECO save function is not operating, leaving the toilet lid closed is an effective way to conserve energy.

High Efficiency Power Savings

When the product is not in use, it lowers the temperature of warm water and seat to control power consumption until the product is put back into use.

Press [Water Temp] and [Power Saving] button, and hold for 2 seconds or more.

※ Power saving indicator flashes once activated.



How to cancel high efficiency power saving function

Press [Water Temp] and [Power Saving] button, and hold for 2 seconds or more.

※ Power saving indicator of displayed part turns off.

(Reference)

- When the unit is in the Power Save mode, the temperature of the water and seat will start out a bit cool, but will warm up while in use.
- Even when the Power Saving function is not operating, leaving the toilet lid closed is an effective way to conserve energy.

Other convenient functions *(For side panel version of bidet seat only)*

Seat Temp. expand from 3 to 5 modes

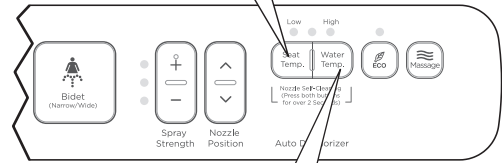
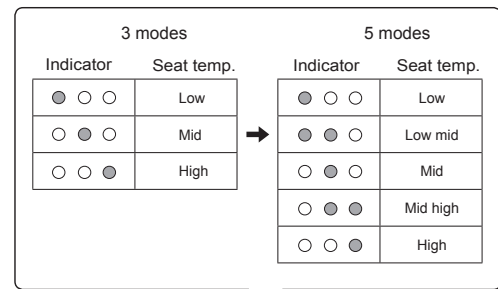
Press Seat Temp. and Nozzle position UP (arrow up) for 2 seconds to expand the seat temperature adjustments from 3 to 5 modes.

- After setting, all indicators will flash once.
- The Low and Mid indicator will both light up when seat temperature is in the middle of Low and Mid. Mid and High indicator will both light up when seat temperature is in the middle of Mid and High temperature.

Resume initial setting

Press Seat Temp and Nozzle Position UP for 2 seconds.

- After setting, all indicators will flash once.
- * The seat heater automatically turns ON when you stand up.



Water Temp. expand from 3 to 5 modes

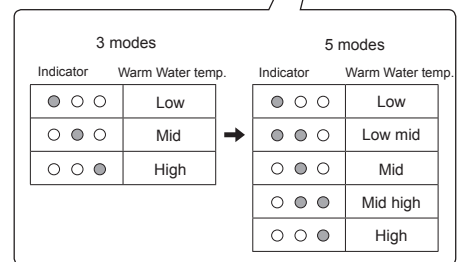
Press Water Temp. and Nozzle position DOWN (arrow down) for 2 seconds to expand the water temperature adjustments from 3 to 5 modes.

- After setting, all indicators will flash once.
- The Low and Mid indicator will both light up when water temperature is in the middle of Low and Mid. Mid and High indicator will both light up when water temperature is in the middle of Mid and High temperature.

Resume initial setting

Press Water Temp. and Nozzle Position DOWN for 2 seconds.

- After setting, all indicators will flash once.



Spray Strength expand from 3 to 5 modes

Press Water Temp. and Spray Strength "-" for 2 seconds to expand the spray strength adjustments from 3 to 5 modes.

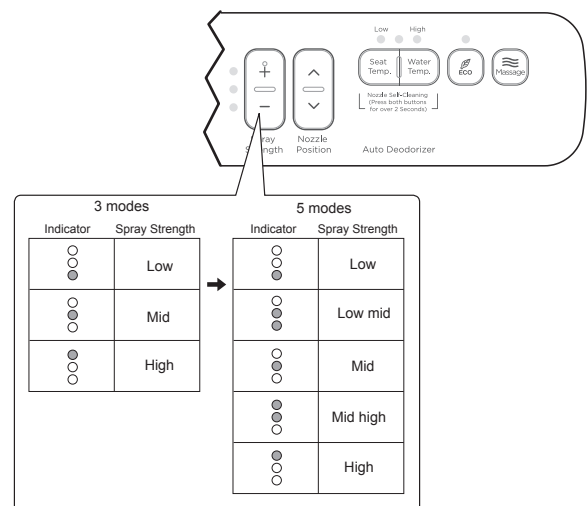
- After setting, all indicators will flash once.
- The Low and Mid indicator will both light up when spray strength is in the middle of Low and Mid flow. Mid and High indicator will both light up when spray strength is in the middle of Mid and High flow.

Resume initial setting

Press Water Temp. and Spray Strength "-" for 2 seconds.

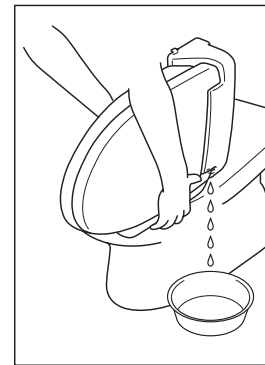
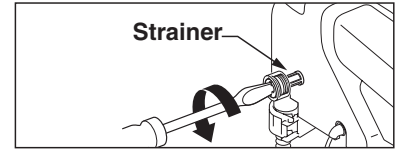
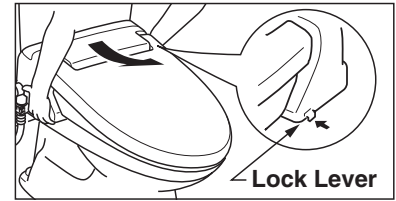
- After setting, all indicators will flash once.

Press the buttons simultaneously for 2 seconds.



If freezing weather or long term absence is anticipated, drain the water.

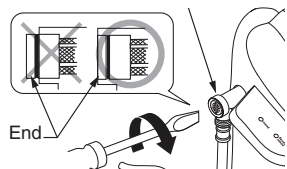
- (1) **Turn the water shutoff valve clockwise to shut off the water supply to the tank.**
(For draining in cold areas, operate the indoor drain plug.)
- (2) Press the flush lever on the tank to drain water from the tank.
- (3) Remove the power plug from the outlet.
- (4) Drain the water from the warm water tank and the water supply hose connected to the seat unit.
- (5) Push the lock lever on the right side of the seat unit and slide the seat unit forward to remove it from the toilet bowl.
- (6) Remove the strainer located on the left side of the seat unit. Place a wash bowl or similar item underneath the strainer.
- (7) Tilt the seat unit to the left to drain the water from the water supply hose through the strainer hole.
- (8) After the water has been drained, firmly attach the strainer.
- (9) Turn the drain plug located on the bottom of the seat unit to the left (counterclockwise) 90 degrees to loosen it.
- (10) Tilt the seat unit forward, pull out the drain plug and completely drain out the water from the warm water tank.
- (11) After the water has been drained, push and turn the drain plug to the right (clockwise) 90 degrees to tighten it.
- (12) Place the seat unit on the toilet bowl. Slide the seat unit backward to secure the seat unit.



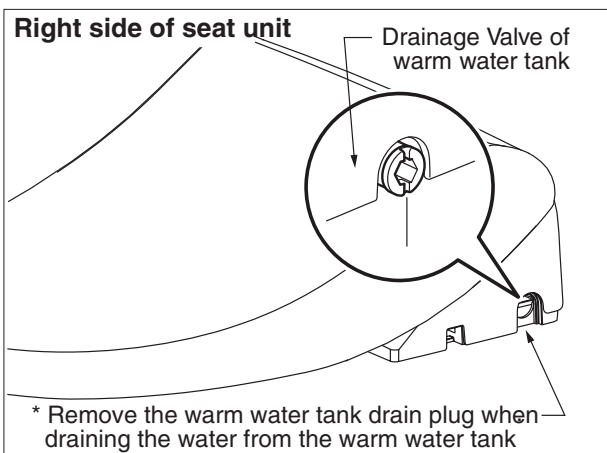
CAUTION

When removing the strainer, be sure to close the water shutoff valve. When attaching the strainer, firmly tighten it until the end of the strainer is hidden in the seat unit.

* Water can leak from the strainer.



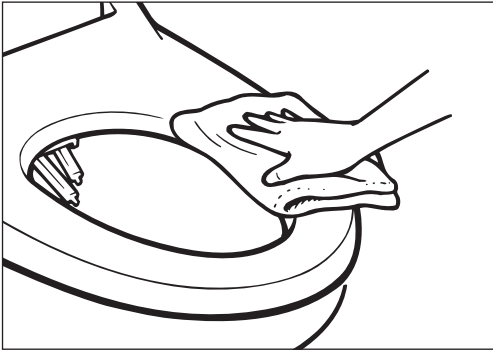
Warm Water Tank Drain Plug



Maintaining This Product

Cleaning the Seat Unit

Periodically, wipe off the seat unit with a soft cloth dampened with water.



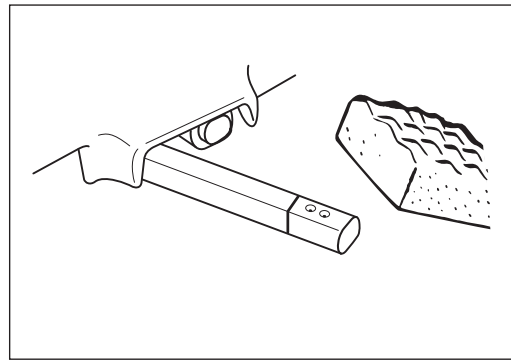
Cleaning the Nozzles

a) Bidet Seat must be powered ON to clean nozzle tip.

b) For side panel type, under non-seated situation to clean nozzles manually, press "Seat Temp" and "Water Temp" buttons at the same time for over 2 seconds.

For remote type, under non-seated situation to clean nozzles manually, press "Nozzle Cleaning" button for over 2 seconds.

c) Grasp the nozzle tip and pull out. Use a soft sponge to clean any accumulated debris.



Changing Nozzle Tips

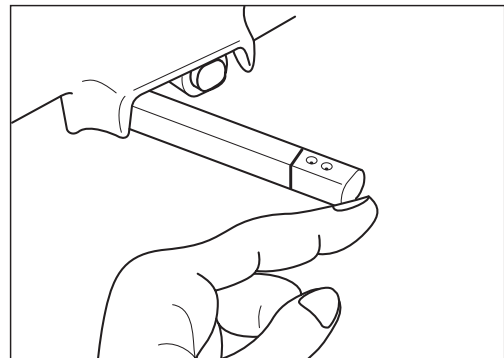
a) Ensure bidet is powered ON.

b) For side panel type, under non-seated situation to clean nozzles manually, press "Seat Temp" and "Water Temp" buttons at the same time for over 2 seconds.

For remote type, under non-seated situation to clean nozzles manually, press "Nozzle Cleaning" button for over 2 seconds.

c) Grasp the nozzle tips and pull out.

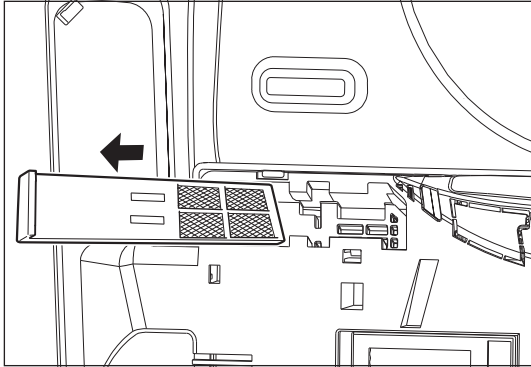
d) Push new tips onto the nozzle ends.



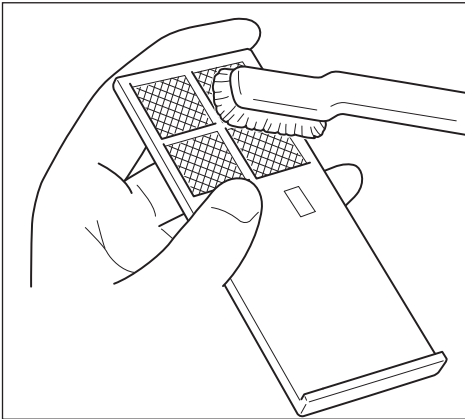
Cleaning & Maintenance of the Deodorizing Screen

Cleaning the Deodorizing Screen

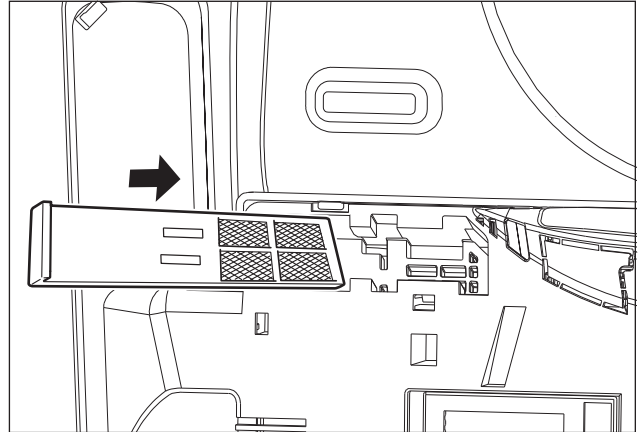
1. Disconnect the power plug from the outlet and shut off the water supply at the valve.
2. Remove the seat from the toilet.
3. Pull the screen from under the left hand side of the seat.



4. Remove the dirt from the screen using a toothbrush or other small brush.



5. Install the strainer back into the base plate of the toilet seat.



6. Install the seat back onto the bowl.
7. Plug the seat back into the power outlet.

Cleaning the Inlet Strainer

If the water pressure weakens over time, clean the strainer using the following procedure.

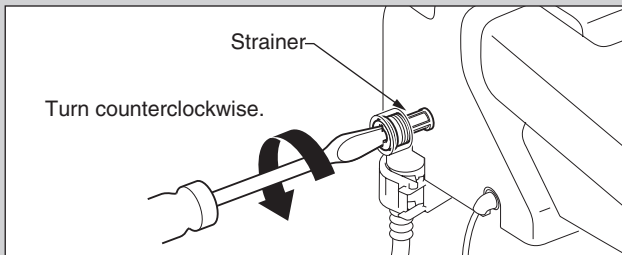
Cleaning the Inlet Strainer

1. Close the water shutoff valve to cut off the water supply.

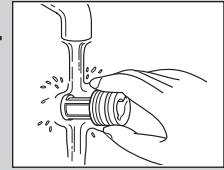
NOTE: Since the water shutoff valve is adjusted beforehand, keep track of the turns so that you can return to the original position.

2. Turn the strainer located on the bottom left of the seat unit using a screwdriver or similar tool and remove it.

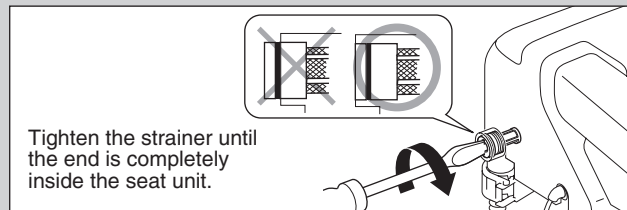
When the strainer is removed, a small amount of water will pour out. Place a wash bowl or similar container underneath to catch the water.



3. Remove the dirt adhering to the inside of the strainer by rinsing it with water.



4. Install the strainer, tightening it fully with a screwdriver or similar tool.



5. Open the water shutoff valve by turning the water shutoff valve back to its original position.

6. Finally, perform an operational check.

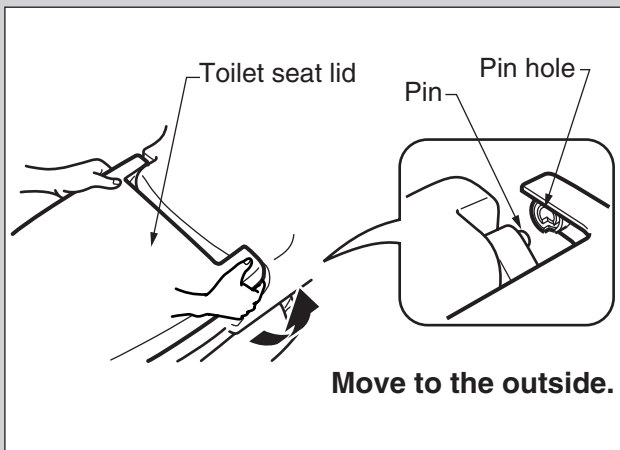
Cleaning Areas Covered by the Toilet Seat Lid & Unit

CAUTION

When cleaning this product, be sure to unplug the power plug from the wall outlet.

Removing the toilet seat lid

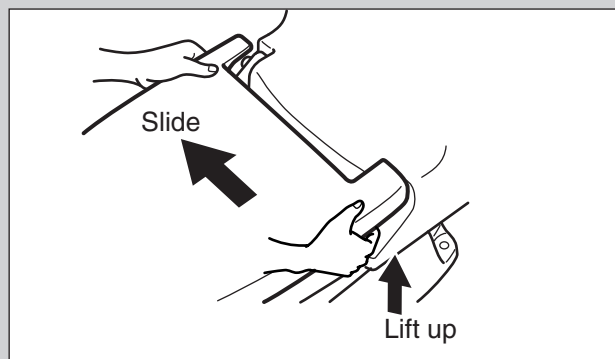
1. Move the pin hole on the right side of the toilet seat lid to the outside and remove it from the pin.



2. Hold the toilet seat up on the right side and slide it to the left, removing it from the pin on the left side.

CAUTION

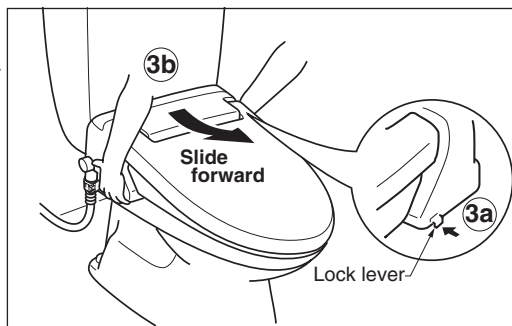
If you try to pull hard to remove the toilet seat lid, it could crack or break.



Removing the seat unit

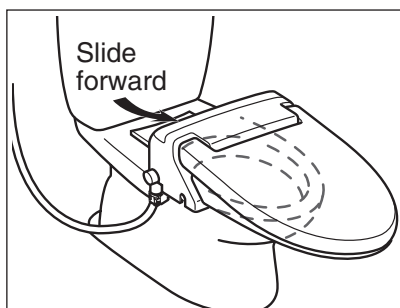
1. Remove the power plug from the wall outlet.
2. Close the water shutoff valve to cut off the water supply.

- 3a. Push the lock lever on the right side of the seat unit.
- 3b. Pull from base of seat, slide the seat forward by grasping at base, raise it slightly and remove from toilet.



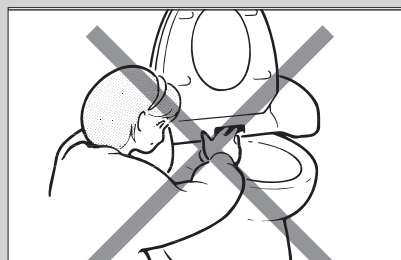
* When removing this product, slide the unit slowly without holding the toilet seat or toilet seat lid. Do not use excessive force.

4. Carefully place the seat unit on the rim of the toilet bowl.
5. To reinstall seat, slide it back on mounting pad.



CAUTION

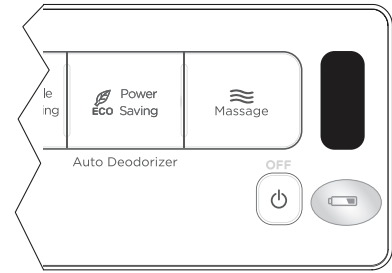
When cleaning the toilet bowl, take care not to splash the seat unit with detergent. Before installing the seat unit, wipe the detergent off from the toilet bowl using a cloth dampened with water.



Change Batteries for the Remote Control

When batteries are about to run out, the battery indicator LED display begins to flash.

- ※ The indicator only flashes when batteries are low.
- ※ The batteries included were used in testing of product and may not have the normal lifecycle.
- ※ The lighting in the room area may make it difficult to see the low battery LED flashing.



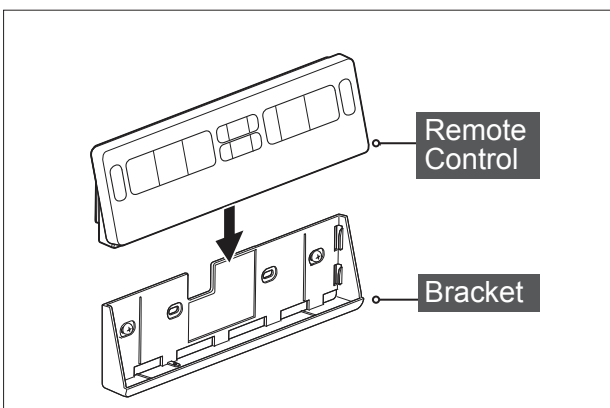
Change new batteries for the remote control; as follows.

Cautions

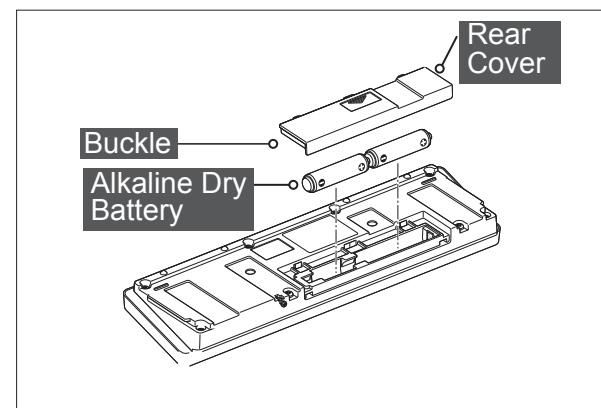
- The + and - of the battery shall comply with the marks on the remote control
- Do not mix the new battery with the used ones.
- Use alkaline batteries.
- Do not touch the switches or buttons on the remote control when changing batteries.

Change Batteries for the Remote Control

1. Pull the remote control up and take it out from the bracket.



2. Open the rear cover of the battery compartment and place 2-AA batteries



3. Place the cover back and the remote control into the bracket.

Troubleshooting

You can easily correct some of the problems with this product. Before requesting repairs, please check the following items.

If you are unable to correct the problem using the troubleshooting procedures shown below, please contact your local customer service representative.

All functions

Symptom	Cause	Remedy
The system will not operate at all.	Electricity is not being supplied to the power outlet.	Check for a power failure or tripped breaker, etc.
	The power switch is off. The LED on the indicator panel is off.	Press the STOP button for 2 seconds to verify the LED lights on the seat unit light up.
	The power plug is not plugged into the wall outlet.	Plug the power plug into the wall outlet.

Posterior cleansing and Feminine cleansing

Symptom	Cause	Remedy
Water does not spray out.	The water shutoff valve is closed.	Turn the water shutoff valve counterclockwise.
	The inlet strainer is clogged.	Clean the inlet strainer.
	Tap water pressure is low. Spray strength is set to "Lo"	Set the spray strength to a higher level.
	The seat sensor is not engaged.	Sit back fully on the toilet seat.

Symptom	Cause	Remedy
Spray water is not warm.	Water temperature is not set to an appropriate temperature.	Adjust the water temperature to the appropriate level.
	The Cleansing or bidet function was used for a long period of time.	The water takes about 3 minutes to warm back.
	ECO mode is activated.	Disable ECO mode.

Heated Toilet Seat

Symptom	Cause	Remedy
The toilet seat is not warm.	Seat temperature is not set to an appropriate level.	Adjust the seat temperature to the appropriate level.
	ECO mode is activated.	Disable power save.

Others

Symptom	Cause	Remedy
The seat unit becomes loose	The seat unit is not locked.	Push the seat unit until it locks in position.

WARNING: A damaged or overheated power plug or cord, or a loose or overheated wall outlet, could cause injury or damage the product. If this occurs, remove the power plug from the wall outlet, contact us, and discontinue using this product until the situation has been corrected.

Specifications

Product Type		Remote Control	Side Panel Control
Rated Voltage		AC120V 60Hz	
Rated Power		300W±10%	
Inlet Water Pressur Range	Min.	9 psi (0.06MPa) Flow pressure	
	Max.	108 psi (0.75MPa) Hydrostatic pressure	
Ambient Temperature Range		32°F~104°F (0°C~40°C)	
Product Dimension		L 21-1/16" x W 17-3/16" x H 6-7/8" (L 536mm*W 436mm*H 173mm)	L 21-1/16" x W 18-9/16" x H 6-7/8" (L 536mm*W 472mm*H 173mm)
Water Inlet Type		Direct inlet flow	
Cleansing	Heating Type	Warm water storage tank	
	Rear Cleansing Volume	0.42~1.27 pint/min (0.25~0.6L/min) (6 adjustment levels) water pressure 29psi (0.2 Mpa)	0.42~1.27 pint/min (0.25~0.6L/min) (3/5 adjustment levels) water pressure 29psi (0.2 Mpa)
	Front Cleansing Volume	0.96~1.27 pint/min (0.45~0.6L/min) (6 adjustment levels) water pressure 29psi (0.2 Mpa)	0.96~1.27 pint/min (0.45~0.6L/min) (6 adjustment levels) water pressure 29psi (0.2 Mpa)
	Water Temperature	OFF (Water temperature) Low-about 90°F (32°C); Relatively Low-about 93°F (34°C); Mid-about 97°F (36°C); Relatively High-about 100°F (38°C); High-about 104°F (40°C)(5 adjustment levels)	OFF (Water temperature) Low-about 90°F (32°C); Mid-about 97°F (36°C); High-about 104°F (40°C) (3/5 adjustment levels)
	One Touch Cleansing	●	
	Oscillating	●	
	Massage	● (Rear cleansing only)	
	Nozzle Position Adjustment	●	
	Heating Power	230W±10%	
	Safety Device	Temp.sensor, Temp fuse, High Temp. sensor switch	
Remote	Dimension	L263mm*W32.5mm*H71mm L10-3/8"*W1-1/4"*H2-13/16"	—
	Power Source	2*1.5v AAA batteries	
Heated Seat	Surface Temperature	Room temperature/ about 82°F - 104°F (28°C—40°C) 5 adjustable levels	Room temperature/ about 82°F - 114°F (28°C—40°C) 3/5 adjustable levels
	Heating Power	57W±10%	
	Safety Device	Temp. sensor, fuse	
Deodorizer	Deodorizing Method	Chemstorption by activated carbon deodorizer	
	Deodorizing Performance	Auto Deodorizing : 3.8CFM (0.11m³/min)	
Power Saving	One Touch Power Saving	● (8hr)	
	Super Power Saving	●	
Other Convinient Functions	Nozzle Self Clean	●	
	Nozzle Manual Clean	●	
	Nozzle Shutter	●	
	Seat Heating Auto Off	●	
	Sitting Sensor	●	
	Anti-microbial Material	Nozzle, Seat, Side control panel/ Remote control panel	
	Soft Close Seat & Cover	●	
	Quick Detach Cover	●	
Quick Detach Main Body	●		



AS AMERICA, INC. ONE YEAR LIMITED WARRANTY

If inspection of this AS America, Inc. ("American Standard") plumbing product, within one year after its initial purchase, confirms that it is defective in materials or workmanship, American Standard will repair or, at its option, exchange the product for a similar model.

This limited warranty applies only to the original purchaser and installation of these products. In the event of a limited warranty claim, proof of purchase will be required—save sales receipt.

This limited warranty does not apply to local building code compliance. Since local building codes vary considerably, the purchaser of this product should check with a local building or plumbing contractor to ensure local code compliance before installation.

This limited warranty is void if the product has been moved from its initial place of installation; if it has been subjected to faulty maintenance, abuse, misuse, accident or other damages; if it was not installed in accordance with American Standard's instructions; or if it has been modified in a manner inconsistent with the product as shipped by American Standard.

American Standard's option to repair or exchange the product under this limited warranty does not cover any labor or other costs of removal or installation. IN NO EVENT WILL AMERICAN STANDARD BE LIABLE FOR THE COST OF REPAIR OR REPLACEMENT OF ANY INSTALLATION MATERIALS, INCLUDING BUT NOT LIMITED TO, TILES, MARBLE, ETC. American Standard will not be responsible for any other incidental or consequential damages attributable to a product defect or to the repair or exchange of a defective product, all of which are expressly excluded from this limited warranty. This limited warranty does not cover any liability for consequential or incidental damages, all of which are hereby expressly disclaimed, or the extension beyond the duration of this limited warranty of any implied limited warranties, including those of merchantability or fitness for an intended purpose. (Some states or provinces do not allow the exclusion or limitation of implied limited warranties, so this exclusion may not apply to you.)

This limited warranty gives you specific legal rights. You may have other statutory rights that vary from state to state or from province to province, in which case this limited warranty does not affect such statutory rights.

In the United States:

American Standard Brands
1 Centennial Ave.
Piscataway, New Jersey 08854
Attention: Director of Customer Care

For residents of the United States, warranty information may also be obtained by calling the following toll free number: (800) 442-1902

In Canada:

AS Canada, ULC
5900 Avebury Rd.
Mississauga, Ontario
Canada L5R 3M3

Toll Free: (800) 387-0369
www.americanstandard.ca

In Mexico:

American Standard B&K Mexico
S. de R.L. de C.V.
Via Morelos #330
Col. Santa Clara
Ecatepec 55540 Edo. Mexico

Toll Free: 01-800-839-1200
www.americanstandard.com.mx

PART OF LIXIL