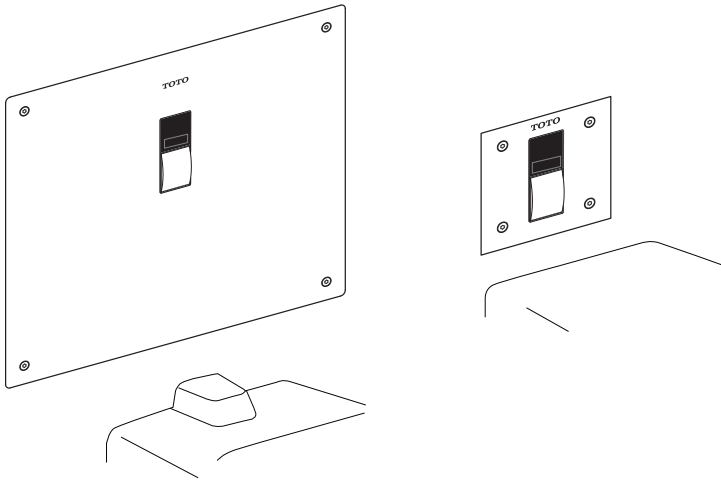


EcoPower Flush Valve
Fluxómetro EcoPower
Valve de Chasse EcoPower
Fluxómetro Self Power



Warranty Registration and Inquiry

For product warranty registration, TOTO U.S.A. Inc. recommends online warranty registration. Please visit our web site <http://www.totousa.com>. If you have questions regarding warranty policy or coverage, please contact TOTO U.S.A. Inc., Customer Service Department, 1155 Southern Road, Morrow, GA 30260 (888) 295-8134 or (678) 466-1300 when calling from outside of U.S.A.

TABLE OF CONTENTS

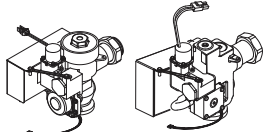


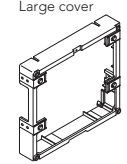
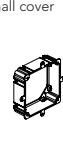






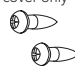
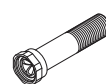



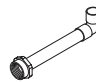

Thanks for Choosing TOTO!.....	2
Included Parts.....	2
Common Tools Needed.....	3
Initializing the Ecopower Product.....	3
Features.....	3
Specifications.....	4
Technical Information.....	5
Warnings.....	6
Before Installation.....	6
Installation Procedure.....	7
Test Run.....	14
Note to the Installer.....	15
Using the Flush Valve.....	15
Periodic Maintenance.....	15
Care & Cleaning.....	15
Troubleshooting.....	16
Warranty.....	20
Rough-In Dimensions.....	78
Reclaimed Water Specifications.....	81

THANKS FOR CHOOSING TOTO!

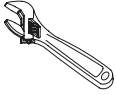
The mission of TOTO is to provide the world with healthy, hygienic and more comfortable lifestyles. We design every product with the balance of form and function as a guiding principle. Congratulations on your choice.

INCLUDED PARTS

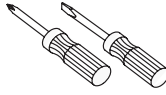
Check to make sure you have all these parts from the package:

 <p>(TEU2UA(R)(X) only) (TEU3UA(R)(X) only)</p> <p>Valve body assembly</p>		<p>Large cover</p> 		<p>Small cover</p> 		<p>Large cover</p> 		<p>Small cover</p> 			
		<p>Front cover</p>				<p>Base frame</p>					
 <p>Installation And Owner's Manual</p>		 <p>Notice label</p>		 <p>Connection cables</p>		 <p>Vandal proof hex screws</p>		 <p>Washer</p>		 <p>Hex wrench</p>	
<p>Small cover only</p>  <p>Screws</p>		 <p>Vacuum breaker tube</p>		<p>TET3GA32 TET3LA(X)32 TET3UA(X)32 TET2GA32 TET2LA(X)32 TET2UA(X)32 TEU3LA(X)12 TEU3UA(X)12 TEU2LA(X)12 TEU2UA(X)12</p> 		<p>TET3GA33 TET3LA(X)33 TET3UA(X)33 TET2GA33 TET2LA(X)33 TET2UA(X)33</p> 		<p>TET3GA31 TET3LA(X)31 TET3UA(X)31 TET2GA31 TET2LA(X)31 TET2UA(X)31</p> 		<p>TEU3LA(X)11 TEU3UA(X)11 TEU2LA(X)11 TEU2UA(X)11 TEU3LA(X)21 TEU2LA(X)11</p> 	
 <p>Control stop</p>						<p>Flush pipe</p>					

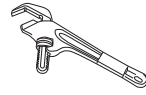
COMMON TOOLS NEEDED



Adjustable wrench



Screwdrivers (Phillips and Slotted)



Offset pipe wrench

INITIALIZING THE ECOPOWER PRODUCT

Thank you for choosing the latest innovation in low power consumption EcoPower products. Please note below the duration of time required to initialize the electronics.

It will take approximately 5 minutes after connecting the battery for the electronics to initialize. This delay is a normal part of startup. After approximately 30 seconds, the sensor LED will start flashing in 4 second intervals until the initialization is complete.

FEATURES

Fully Automatic and Hygienic

The EcoPower Flush Valve uses an infrared sensor to detect the user using and departing the fixture, to provide an automatic flush of the fixture after a short delay. No manual operation is required, improving the experience of use and hygiene of the fixture.

System Protection Timer

When the fixture is not used for 24 hours for toilet or 12 hours for urinal the protection timer commands the system to flush in order to maintain the trap seal.

Manual Functionality

For maintenance and emergency use, the EcoPower Flush Valve is equipped with a manual flushing button.

Green Features

Conserves Power

The flushing of the fixture activates a hydropower generator which generates electric power for the next flush. (See *About TOTO's Hydropower Generator*, page 5)

Conserves Water

Two functions help the EcoPower Flush Valve conserve water:

Fuzzy Logic Control





The EcoPower Flush Valve can sense how often and how long the fixture has been used to deliver the correct amount of water. (See *About Fuzzy Logic Control*, page 5)

Anti Consecutive Flushing

The EcoPower Flush Valve offers water saving consecutive flush prevention. After a flush, the valve will not automatically flush again for 10 seconds for urinals and 30 seconds for toilets.

TOTO EcoPower Flush Valves are designed to work for 10 years, under normal conditions, with no minimum usage required.

SPECIFICATIONS

SPECIFICATIONS						
		Toilet			Urinal	
Figure	Large cover					
	Small cover					
Model number	Large cover	TET2GAR	TET2LA(R)(X)	TET2UA(R)(X)	TEU2LA(R)(X)	TEU2UA(R)(X)
	Small cover	TET3GAR	TET3LA(R)(X)	TET3UA(R)(X)	TEU3LA(R)(X)	TEU3UA(R)(X)
Rated Flush Volume		1.6 G (6L)	1.28 G (4.8L)	1.0 G (3.8L)	0.5 G (1.9L)	0.125 G (0.47L)
Toilet/Urinal type		Flush Valve type			Wash down flush	
Control stop inlet		1" NPT			3/4" NPT	
Flush Valve inlet		1-1/4" NPSM				
Flush Valve outlet		1-1/2" NPSM				
Supply water pressure	Min (Flowing)	35 psi (241kPa)			15psi (103kPa)	
	Max* (Static)	125 psi (862kPa)				
Shutoff pressure		7 psi (48kPa)				
Dimension of cover	Large cover	12-5/8" (H) × 14-3/16" (W) (320mm(H) × 360mm(W))				
	Small cover	4-23/32" (H) × 4-23/32" (W) (120mm(H) × 120mm(W))				
Detection range from the front		Within 33-1/2" (850mm)				
Detection time		6 seconds				
Trap seal protection		Automatic flushing every 24 hours of non-use			Automatic flushing every 12 hours of non-use	
Ambient temperature		32-104°F (0-40°C)				
Water temperature		34-104°F (1-40°C)				

NOTE: The type of fixture determines the minimum pressure required for the valve. Consult fixture manufacturer for the overall pressure requirement.

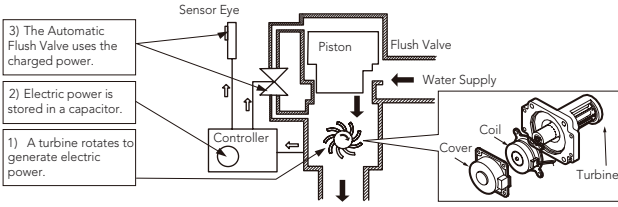
* Water pressures over 80 psi are not recommended for most plumbing fixtures.

TECHNICAL INFORMATION

About TOTO's Hydropowered Generator

The flow of water causes the turbine in the power generator to rotate. This process generates electric power and enables the automatic Flush Valve to operate. See ill. 1 below.

TET2LA(R)(X)
TET2GAR
TET2UA(R)(X)
TET3LA(R)(X)
TET3GAR
TET3UA(R)(X)
TEU2LA(R)(X)
TEU3LA(R)(X)

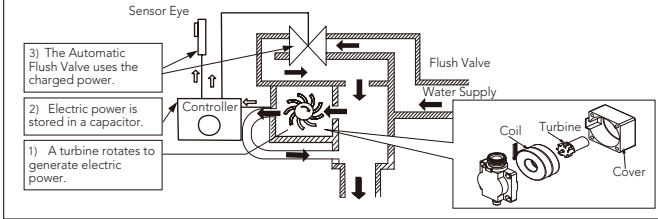


1) A turbine rotates to generate electric power.

2) Electric power is stored in a capacitor.

3) The Automatic Flush Valve uses the charged power.

TEU2UA(R)(X)
TEU3UA(R)(X)



1) A turbine rotates to generate electric power.

2) Electric power is stored in a capacitor.

3) The Automatic Flush Valve uses the charged power.

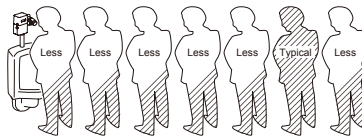
ill. 1 Hydropowered Generator

About Fuzzy Logic Control (TEU1GAR only)

The Fuzzy Logic Control function automatically adjusts the discharge of water according to the frequency and duration of usage (see ill. 2 and ill. 3).

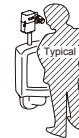
The Fuzzy Logic Control system judges the frequency of usage by the idle time of the fixture and causes the Flush Valve to discharge water in an optimal flushing pattern.

High Frequency of Usage



If the idle time is short, the system assumes frequent use and the Flush Valve discharges less water.
Examples of high frequency use would be during a lunch break or an intermission in a movie theatre.

Low Frequency of Usage



If the idle time is long, the system assumes infrequent use, causing the Flush Valve deliver a typical quantity of water for thorough flushing.
Examples of low frequency use would be during after hours at the office or a slow day at the park.

ill. 2 Frequency of Usage

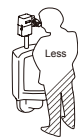
The Fuzzy Logic Control system predicts the quantity of flush water needed based on the user's duration of use.

Long duration of usage



A long duration of use indicates there may be more to flush, requiring the Flush Valve to deliver a typical quantity of flush water for thorough flushing.

Short Duration of Usage



A short duration of use indicates there may be less to flush, requiring the Flush Valve to discharge less flush water.

ill. 3 Duration of Usage

WARNINGS

Please read and adhere to these notes. Failure to do so could result in personal injury and/or property damage.

- Never splash water on the controller. The EcoPower Flush Valve is an electric appliance. Risk of product malfunction.
- Do not strike or kick the EcoPower Flush Valve. Risk of product malfunction or water leakage.
- Do not use the EcoPower Flush Valve at temperatures exceeding what local codes or product specification allow. Risk of product malfunction.
- Do not place an item in a room with high humidity such as shower area or sauna. Risk of product malfunction.
- Never attempt to disassemble, reassemble, repair or modify the EcoPower Flush Valve unless you are a professional. Risk of product malfunction and electric shock.
- Do not use standard vacuum breaker or control stop with reclaimed water flush valve.
- Do not use petroleum based products or pipe sealants, doing so could damage product and cause water damage.

BEFORE INSTALLATION

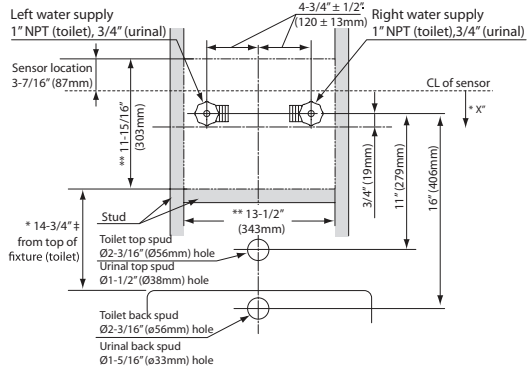
IMPORTANT: Plumbing installation must be in accordance with applicable codes and regulations. Water supply lines must be sized to provide an adequate volume of water for each fixture. Flush all waterlines prior to operation.

- Toilet and urinal Flush Valves are not interchangeable, check the model number on the label to make sure you have the correct type. Toilet Flush Valve model numbers begin with 'TET' and Urinal Flush Valve model numbers begin with 'TEU'.
- Prior to installing your Flush Valve, install the items listed below:
 - Bowl fixture/Urinal fixture
 - Drain line
 - Water supply line

The supply piping to these devices must be securely anchored to the building structure to prevent the installed device moving during use. Prevent marring to the exposed surface during installation. **IMPORTANT:** Purge all air from the supply lines before connecting flush valve to the bowl. Trapped air in supply lines may crack the china.
- Avoid damaging the surface of the infrared sensor while unpacking.
- **For Toilet Flush Valve:**
The toilet Flush Valve may not function if toilet seat or lid cover are left upright and block the sensor.
- **For Urinal Flush Valve:**
The urinal Flush Valve is designed for optimal performance with a washout urinal, but a siphon jet urinal may be substituted. Blowout urinals are not recommended.
- **For Reclaimed Water Flush Valve:**
Only use reclaimed water angle stop and vacuum breaker.
- The detection range of the infrared sensor is shown on p.19.
- To prevent valve malfunction, do not install a handrail or any other object within the detection range of the sensor. Do not install the Flush Valve where sensor faces a mirror, stainless steel wall, other highly reflective surfaces or another infrared sensor.

INSTALLATION PROCEDURE — LARGE COVER

1. Determine the installation location of the studs and water supply pipe relative to the position of the toilet/urinal.
2. If needed, slide a thread solder adapter on the water supply pipe.
3. Attach the control stop to the pipe.
4. Bore a guide hole for the flush pipe into the wall.



* X, ≠ = At least 5" clearance from sensor to tip of toilet seat up position or to top of grab bar is required to avoid false detection.

** Opening in wall



NOTE: Attach the control stop before installing the box fixing frame. Thread sealing compounds should only be used on the male NPT threads only.

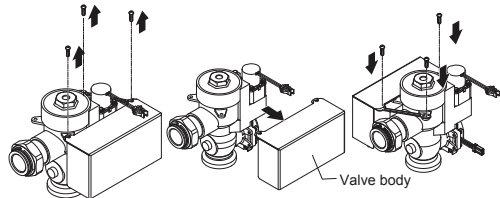
NOTE: For reclaimed water, do not use standard vacuum breaker or control stop.

NOTE: Do not use petroleum based products or pipe sealants.

For use with a left water supply, detach the controller and remount it to opposite side of valve body.



Protect the wire connections inside the controller's case.

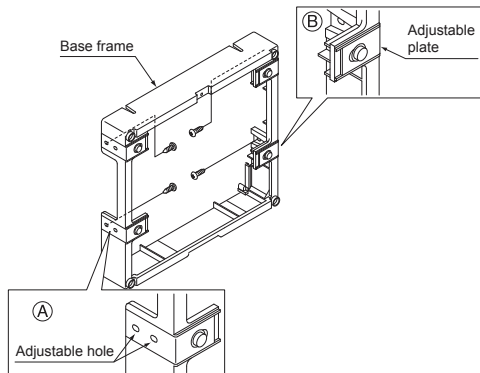


Detach

Remount

5. Fasten the base frame to the studs with four screws (prepared on site) after adjusting it. (A)

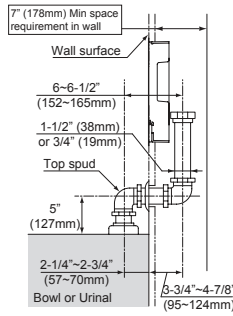
6. Secure the box with four screws in the adjustable plate. (B)



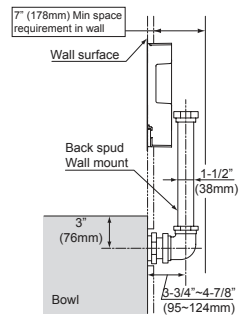
INSTALLATION PROCEDURE — LARGE COVER

- Pass the flush pipe and the vacuum breaker through the guide hole (Step 3) and mount them on the bowl.
- If required, cut the vacuum breaker tube to the proper length.

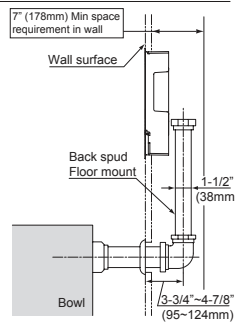
TET2LA(X)32, TET2GA32, TET2UA(X)32
TEU2LA(X)12, TEU2UA(X)12



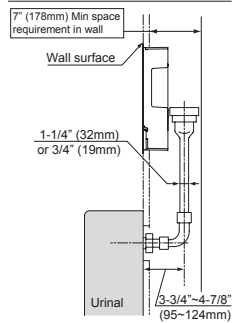
TET2LA(X)31, TET2UA(X)31
TET2GA31



TET2LA(X)33, TET2UA(X)33,
TET2GA33

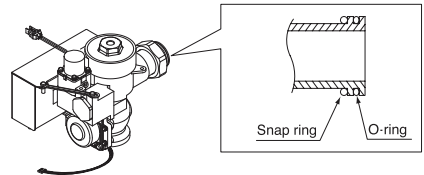


TEU2LA(X)11, TEU2LA(X)21
TEU2UA(X)11

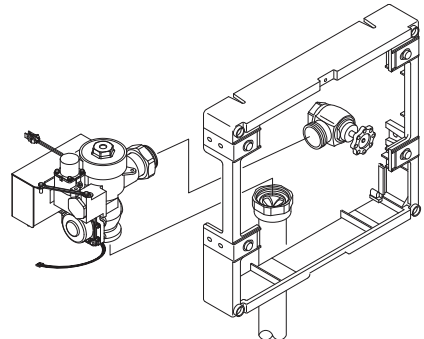


- Make sure that the o-ring fits in the groove at the end of the Flush Valve tailpiece.

NOTE: Exercise care to avoid damaging the o-ring when inserting the tailpiece into the control stop. If lubrication is needed, wet the o-ring with water.

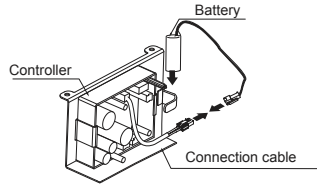


- Connect the Flush Valve with the control stop and vacuum breaker tube.



INSTALLATION PROCEDURE — LARGE COVER

11. Connect the cables of the battery and controller and set the battery in place.

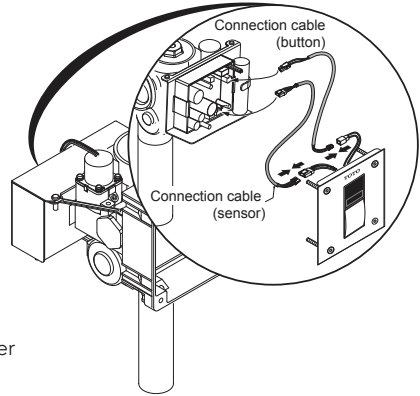


12. Connect the cables of infrared sensor and controller with the connection cable.
13. Connect the cables of manual button and controller with the connection cable.

NOTE: It will take 5 minutes after connecting the battery for the electronics to initialize. After approximately 30 seconds, the sensor LED will flash in 4 second intervals until the initialization completes.

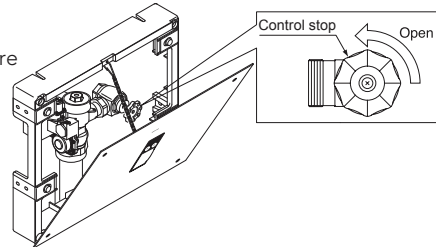
14. Ensure all pipe connections are completely tightened to prevent leaking.

NOTE: If for any reason it becomes necessary to remove the control stop make sure the water is shut off at the main supply valve.



The Flush Valves are preset for flush volume as marked on the valve carton. The valve does not require adjustment for variation in water pressure within its operating range.

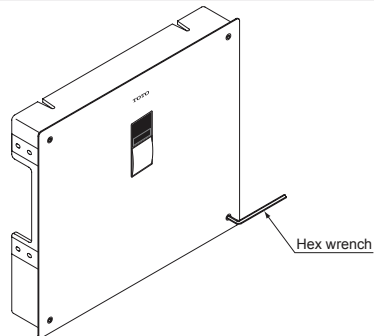
15. To set the Flush Valve for proper operation, open the control stop completely and activate the Flush Valve several times.
16. In the case of excessive flow rate because of high water pressure, gradually adjust the control stop clockwise (towards the closed position) until there is suitable water flow into the fixture.



NOTE: The control stop should never be opened to the point where the flow from the Flush Valve exceeds the flow capability of the fixture. In case of a valve failure, the water must overflow from fixture.

17. Tighten the front cover screws into the base frame firmly with the hex wrench.

Make sure no cord, wire or chain is caught between the front cover and base frame.

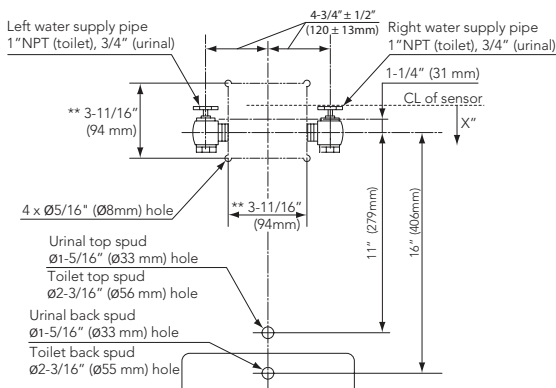


INSTALLATION PROCEDURE — SMALL COVER

ENGLISH

1. Determine the location of the water supply pipe.
2. If necessary, slide a sweat solder adapter on the water supply pipe
3. Attach the control stop to the pipe.
4. Bore a guide hole for the flush pipe into the wall.

NOTE: Thread sealing compounds should be used on the male NPT threads only.



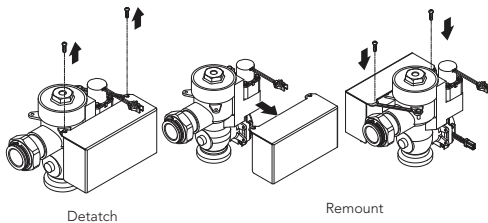
* X, ‡ = At least 5" clearance from sensor to tip of toilet seat up position or to top of grab bar is required to avoid false detection.

** Opening in wall

To use with a left water supply, detach the controller and remount it to opposite side of valve body.

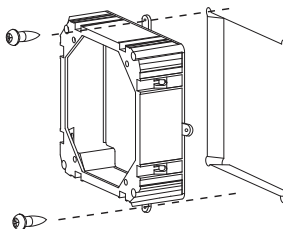


Protect the wire connections inside the controller's case.



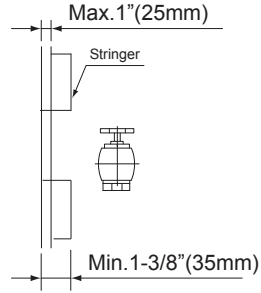
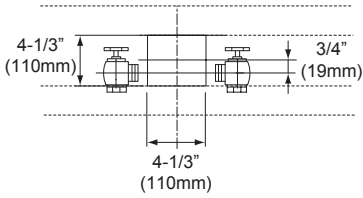
5. Secure back frame to the wall with two screws the base frame. Other base frame installation options with stringer and for concrete wall on next page.

NOTE: Wall thickness must be 1/2" (13mm) minimum and 1-3/8" (35mm) maximum. If your wall thickness is less than 1/2" (13mm), please attach wooden frame behind the wall.



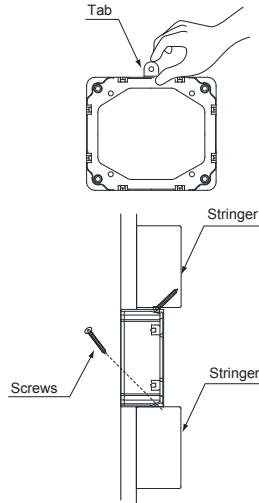
INSTALLATION PROCEDURE— SMALL COVER

Other base frame installation options



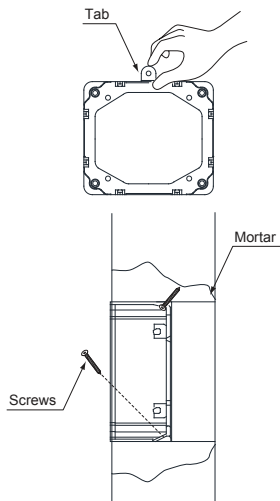
Option 5A (with stringer)

1. Remove all tabs on side of the base frame.
2. Fasten the base frame to stringer with 4 screws (prepared on site).



Option 5B (for concrete wall)

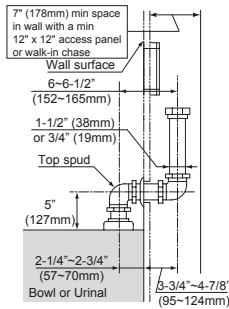
1. Cut out a place for the cover into the wall.
2. Remove all tabs on side of the base frame before installation.
3. Fix the base frame into place with mortar.
4. Secure the base frame with 4 screws (prepared on site), if needed.



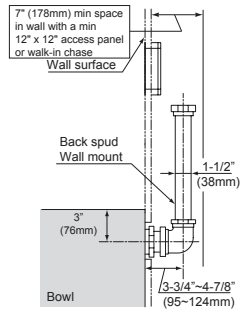
INSTALLATION PROCEDURE — SMALL COVER

- Pass the flush pipe and the vacuum breaker through the guide hole (Step 3) and mount them on the bowl.
- If required, cut the vacuum breaker tube to the proper length.

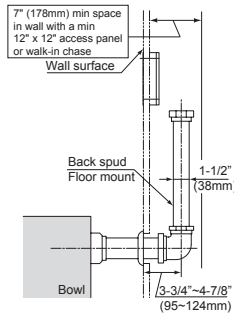
TET3LA(X)32, TET3GA32, TET3UA(X)32
TEU3LA(X)12, TEU3UA(X)12



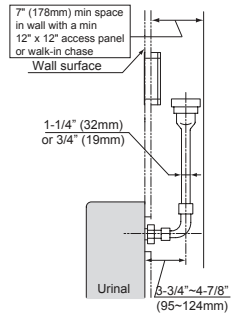
TET3LA(X)31, TET3UA(X)31
TET3GA31



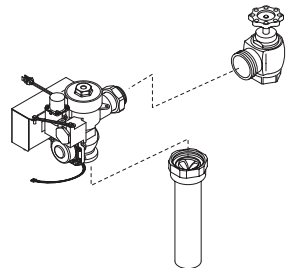
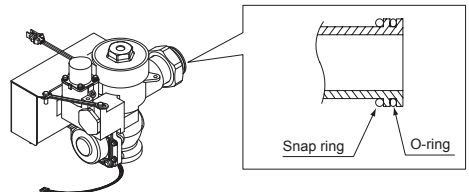
TET3LA(X)33, TET3UA(X)33
TET3GA33



TEU3LA(X)11, TEU3LA(X)21
TEU3UA(X)11

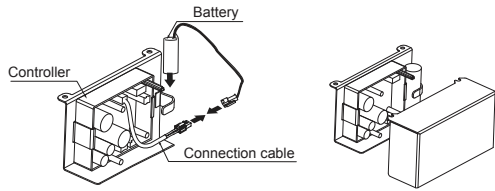


- Make sure that the o-ring fits in the groove at the end of the Flush Valve tailpiece.
- Exercise care to prevent damage to the o-ring when inserting the tailpiece into the control stop. For additional lubrication, wet the o-ring with water.
- Connect the Flush Valve with the control stop and vacuum breaker tube.
- Tighten the coupling nut with a wrench to prevent a water leak.

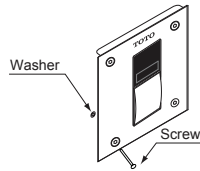


INSTALLATION PROCEDURE — SMALL COVER

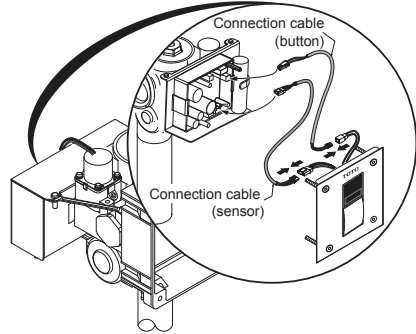
12. Connect the battery cable with the controller and set the battery in place.



13. Attach the vandal proof screws the front cover using washers.



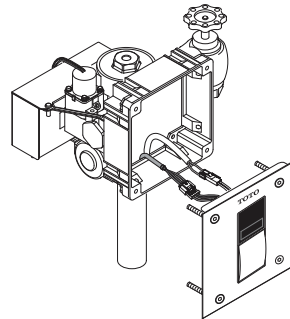
14. Connect the cables of infrared sensor and controller with the connection cable.
15. Connect the cables of manual button and controller with the connection cable.



NOTE: It will take 5 minutes after connecting the battery for the electronics to initialize. After approximately 30 seconds, the sensor LED will flash in 4 second intervals until the initialization completes.

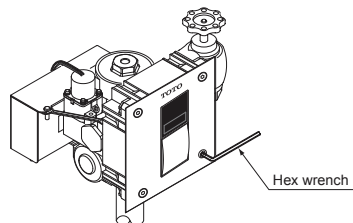
16. Before the supply water is turned on, be sure all water leaks are eliminated by tightening all the pipe connections.

NOTE: If for any reason it becomes necessary to remove the control stop, make sure the water is shut off at the main supply valve.



17. Fasten the front cover to the base frame by tightening the screws with the supplied hex wrench.

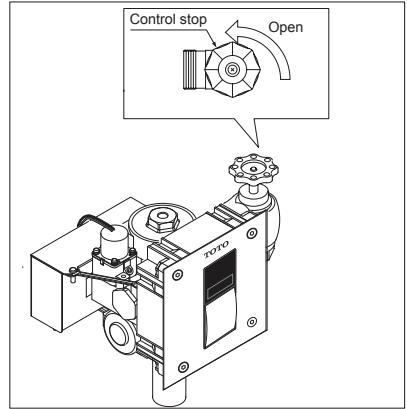
18. Take care so that any cord, wire or chain might not be caught between the front cover and the box.



INSTALLATION PROCEDURE — SMALL COVER

The Flush Valves are preset for flush volume as marked on the valve carton. The valves do not require adjustment for variation for water pressure within its operating range.

19. Open the control stop completely.
20. Activate the Flush Valve several times.
21. In the case of excessive flow rate, adjust the flush volume, gradually adjust the control stop clockwise, towards the closed position, until there is suitable water flow into the filter.



WARNING: Do not open the control stop to the point where the flow from the Flush Valve exceeds the flow capability of the fixture. In case of a valve failure, the water must not overflow from the fixture.

TEST RUN

After connecting the battery, the initialization process takes 5 minutes. After approximately 30 seconds, the sensor LED will start flashing in 4 second intervals until the initialization is complete. Please wait before starting the Test Run.

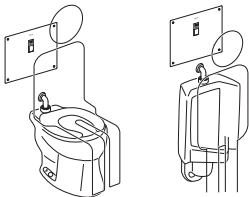
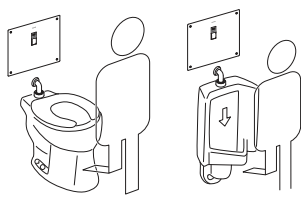
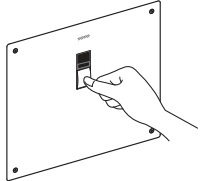
1. **For Toilet:** Sit on the toilet seat.
For Urinal: Stand within two feet from the front of the Flush Valve.
2. Stay there for 6 seconds or more and then leave the toilet seat or the urinal. The valve should automatically flush, immediately for urinals and after 3 seconds for toilets.
3. Press the manual flushing button. The toilet or urinal should flush and the red light of the sensor should flash. To correct overflow from a urinal Flush Valve, adjust the control stop clockwise.
4. Recheck all the pipe connections for water leaks. If the Flush Valve is not operating properly following the test run consult the Troubleshooting section on p.16.

NOTE TO THE INSTALLER

After the Flush Valve unit has been installed correctly, please explain to your customer how to use it and tell them to observe the following instructions:

1. Do not put any object in front of the sensor window which could obstruct the sensor, causing it to malfunction.
2. In case of any trouble, consult the troubleshooting section on p.16. If you lack the necessary skills required or have difficulty following the directions for installation, maintenance, repairs, troubleshooting or adjustments of the product, do not proceed without help from a qualified person to assist you.

USING THE FLUSH VALVE

Infrared Sensor	Flushing	Manual Flushing Button
 <p>The infrared sensor detects a user of the toilet or within 2 ft (600mm) of the urinal.</p>	 <p>When the user stays in place for at least 6 seconds before departure, the controller signals the operating unit to trip the Flush Valve after 3 seconds delay for toilets and no delay for urinals.</p>	 <p>Use the manual flush switch for maintenance or emergencies.</p>

Flushing Every 12/24 hours

When the fixture is not used for 24 hours for toilet or 12 hours for urinal the protection timer commands the system to flush in order to maintain the trap seal.

PERIODIC MAINTENANCE

Please check the piping to your EcoPower Flush Valve at least once a month to avoid risk of property damage.

CARE & CLEANING

IMPORTANT! Do not scratch the sensor or faceplate when cleaning.

- Avoid using any cleaning materials that may scratch the surface.
- Never use polishing powder, detergent that includes coarse particles, thinners, benzene, acids, alkaline detergents, or nylon scrub brushes.
- To safely clean the surface, wipe it using a dampened soft cloth with diluted dishwashing detergent and dry it with another soft cloth. If this does not adequately clean the surface, wipe the area with a neutral detergent and wet cloth.

TROUBLESHOOTING

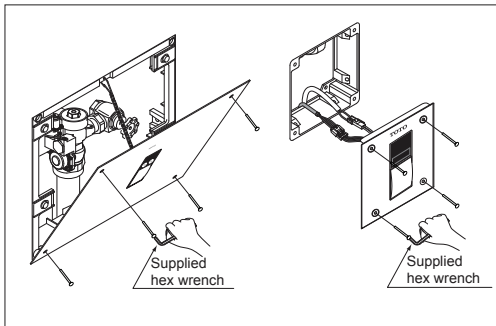
Problem	Possible Cause	Suggested Action	Ref. Page
No water comes from the flush valve	The main valve in water supply line or the control stop is shut off	Open the main valve or the control stop	-
	The connector is not connected	Connect the wire	-
	The surface of the glass in front of the infrared sensor is dirty	Clean the surface of the glass	-
	The glass is broken	Contact distributor for replacement	-
	There is a reflective surface in front of the sensor	Remove the reflective surface from the sensor	19
	The infrared sensor or the solenoid is out of order	Contact distributor for replacement	-
	The small holes in the solenoid diaphragm are clogged	Clean the small hole in the diaphragm and filter	18
	Hydropower generator clogged	Service Hydropower Generator	17
Water does not stop flowing	The small hole in the piston is clogged. (not for TEU*UA(R)(X))	Clean the small hole in the piston	18
	The sealing area of the piston is dirty. (not for TEU*UA(R)(X))	Clean the sealing area of the piston	17
	The sealing area of the solenoid diaphragm is dirty.	Clean the sealing area of the diaphragm and filter	18
	Piston U-packing damaged. (not for TEU*UA(R)(X))	Inspect & replace if necessary	17
The discharge quantity is too small	The screw of the control stop or the screw of the piston valve are not adjusted properly	Adjust the discharge quantity by the screw of the control stop and the screw of the piston valve	18
The discharge quantity is too much			
The flow rate is too low	Water supply pressure is too low. (below rated minimum pressure)	Consult with a plumbing contractor	-
	The control stop is not open enough.	Adjust the control stop properly	18
The flow rate is too high	The control stop is not adjusted properly.	Adjust the control stop properly.	18
A red light in the sensor window blinks	The battery is weak.	Check voltage with multimeter, if below 2.6 V, contact TOTO for replacement battery.	18

NOTE: Do not dismantle parts of the flush valve which are not specified in the troubleshooting guide.
If you need further assistance, please call TOTO Tech Support at (888) 295-8134.

■ DISASSEMBLY

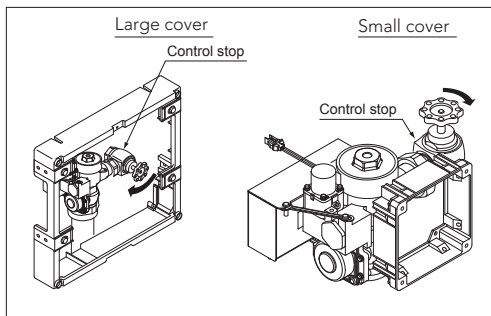
If the whole valve needs to be removed from the water supply for servicing, please be aware of the cautions below:

1. Be careful not to lose or tear the friction washer at the outlet connection to the vacuum breaker tube nut. To maintain a proper seal, replace the washer if necessary.
2. Be careful when re-installing the valve to the water supply to avoid pinching the o-ring.

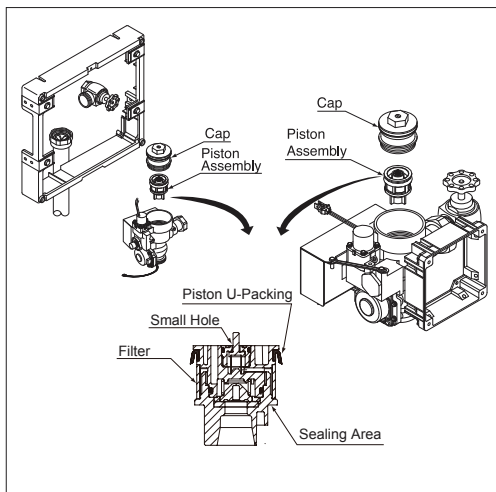


■ CLEANING PISTON ASSEMBLY

1. Turn the screw of the control stop clockwise to turn off the water.



2. Take out the piston assembly.
3. Check the small hole in the piston to see if it is clogged with debris, insert a small wire to unclog hole.
4. Check the filter to see if it is clogged with debris and gently brush it to clean.
5. Check the sealing area of the piston and clean it if it is dirty.
6. Check the U-Packing for cracks or damage.

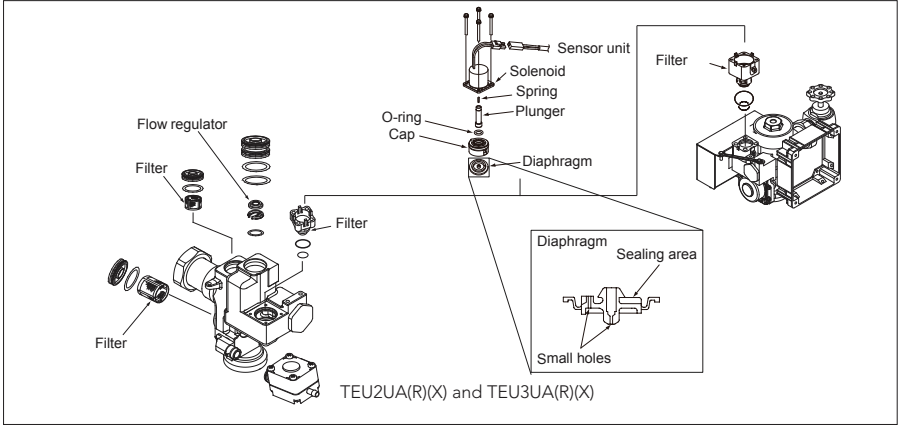


■ CLEANING DIAPHRAGM AND FILTER

1. Turn the screw on the control stop clockwise to turn off the water.
2. Disconnect the solenoid.
3. Remove the solenoid and take out the diaphragm.
4. Check the small holes and sealing.

NOTE: See this page below for disassembly.

NOTE: Do not stretch or alter the shape of the spring in the solenoid valve in any way. It will void the warranty.



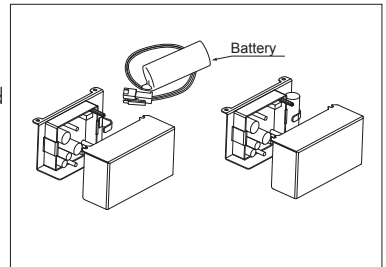
■ CHECKING SOLENOID

1. Make sure that the batteries are properly placed and wires are connected.
2. With water supply turned off, place your hand in front of the sensor for 6 seconds
3. Remove and listen for a "click" sound after 3 seconds. This indicates the solenoid plunger has been activated.

■ BATTERY REPLACEMENT

A special lithium back-up battery is used. Replace only with the included TOTO back up battery. If a red light in the sensor window blinks with the cycle of 4 seconds, it is time to replace the battery.

1. Remove the old battery.
2. Set the new battery at the proper position.

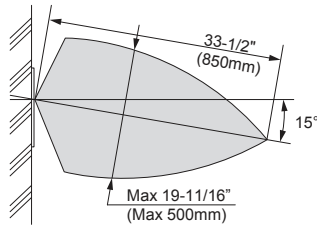


■ ADJUSTMENT OF THE FLOW RATE

1. Adjust the flow rate by the turning screw on the control stop.
2. Turn the screw to the right to decrease the flow rate and turn to the left to increase.

■ THE DETECTION RANGE

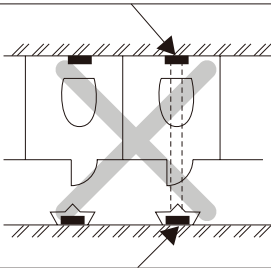
The detection range of the infrared sensor is set at the factory and does not need further adjustment.



PRECAUTION

DO NOT place the infrared sensor of one Flush Valve so that it is in line with the sensor of another Flush Valve sensor.

Another infrared sensor.

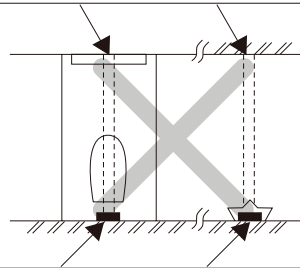


Infrared sensor of the automatic Flush Valve.

PRECAUTION

DO NOT place the infrared sensor in front of a mirror, stainless steel wall, or other highly reflective surface.

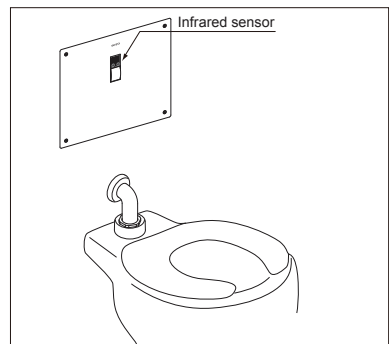
Mirror, stainless steel wall or other highly reflective surface.



Infrared sensor of the automatic Flush Valve.

NOTE: In some cases, the valve may not detect a user if the toilet seat is left in an upright position. This can be due to the rough-in dimension or gap of the open front commercial seat. Please lower the seat or arrange with a TOTO or other plumbing contractor to change the height of the valve.

The sensor can have trouble detecting users wearing black clothes in some conditions.



WARRANTY

ENGLISH

1. TOTO warrants its electronic flush valves, faucets and soap dispensers ("Product") to be free from defects in materials and workmanship during normal use when properly installed and serviced, for a period of three (3) years from date of purchase. This limited warranty is extended only to the ORIGINAL PURCHASER of the Product and is not transferable to any third party, including but not limited to any subsequent purchaser or owner of the Product. This warranty applies only to TOTO Product purchased and installed in North, Central and South America.
2. TOTO's obligations under this warranty are limited to repair, replacement or other appropriate adjustment, at TOTO's option, of the Product or parts found to be defective in normal use, provided that such Product was properly installed, used and serviced in accordance with instructions. TOTO reserves the right to make such inspections may be necessary in order to determine the cause of the defect. TOTO will not charge for labor or parts in connection with warranty repairs or replacements. TOTO is not responsible for the cost of removal, return and/or reinstallation of the Product.
3. This warranty does not apply to the following items:
 - a. Damage or loss sustained in a natural calamity such as fire, earthquake, flood, thunder, electrical storm, etc.
 - b. Damage or loss resulting from any accident, unreasonable use, misuse, abuse, negligence, or improper care, cleaning, or maintenance of the Product.
 - c. Damage or loss resulting from sediments or foreign matter contained in a liquid soap system.
 - d. Damage or loss resulting from improper installation or from installation of the Product in a harsh and/or hazardous environment, or improper removal, repair or modification of the Product.
 - e. Damage or loss resulting from electrical surges or lightning strikes or other acts which are not the fault of TOTO or which the Product is not specified to tolerate.
 - f. Damage or loss resulting from normal and customary wear and tear, such as gloss reduction, scratching or fading over time due to use, cleaning practices or water or atmospheric conditions, including but not limited to, the use of bleach, alkali, acid cleaners, dry (powder) cleaners or any other abrasive cleaners or the use of metal or nylon scrubbers.
4. In order for this limited warranty to be valid, proof of purchase is required. TOTO encourages warranty registration upon purchase to create a record of Product ownership at <http://www.totousa.com> is required. TOTO encourages registration upon purchase and failure to register will not diminish your limited warranty rights.
5. THIS WARRANTY GIVES YOU SPECIFIC LEGAL RIGHTS. YOU MAY HAVE OTHER RIGHTS WHICH VARY FROM STATE TO STATE, PROVINCE TO PROVINCE OR COUNTRY TO COUNTRY.
6. To obtain warranty repair service under this warranty, you must take the Product or deliver it prepaid to a TOTO service facility together with proof of purchase (original sales receipt) and a letter stating the problem, or contact a TOTO distributor or products service contractor, or write directly to TOTO U.S.A., INC., 1155 Southern Road, Morrow, GA 30260 (888) 295 8134 or (678) 466-1300, if outside the U.S.A. If, because of the size of the Product or nature of the defect, the Product cannot be returned to TOTO, receipt by TOTO of written notice of the defect together with proof of purchase (original sales receipt) shall constitute delivery. In such case, TOTO may choose to repair the Product at the purchaser's location or pay to transport the Product to a service facility.

THIS WRITTEN WARRANTY IS THE ONLY WARRANTY MADE BY TOTO. REPAIR, REPLACEMENT OR OTHER APPROPRIATE ADJUSTMENT AS PROVIDED UNDER THIS WARRANTY SHALL BE THE EXCLUSIVE REMEDY AVAILABLE TO THE ORIGINAL PURCHASER. TOTO SHALL NOT BE RESPONSIBLE FOR LOSS OF THE PRODUCT OR FOR OTHER INCIDENTAL, SPECIAL OR CONSEQUENTIAL DAMAGES OR EXPENSES INCURRED BY THE ORIGINAL PURCHASER, OR FOR LABOR OR OTHER COSTS DUE TO INSTALLATION OR REMOVAL, OR COSTS OF REPAIRS BY OTHERS, OR FOR ANY OTHER EXPENSE NOT SPECIFICALLY STATED ABOVE. IN NO EVENT WILL TOTO'S RESPONSIBILITY EXCEED THE PURCHASE PRICE OF THE PRODUCT. EXCEPT TO THE EXTENT PROHIBITED BY APPLICABLE LAW, ANY IMPLIED WARRANTIES, INCLUDING THAT OF MERCHANTABILITY OR FITNESS FOR USE OR FOR A PARTICULAR PURPOSE, ARE EXPRESSLY DISCLAIMED. SOME STATES DO NOT ALLOW LIMITATIONS ON HOW LONG AN IMPLIED WARRANTY LASTS, OR THE EXCLUSION OR LIMITATION OF INCIDENTAL OR CONSEQUENTIAL DAMAGES, SO THE ABOVE LIMITATION AND EXCLUSION MAY NOT APPLY TO YOU.

ÍNDICE

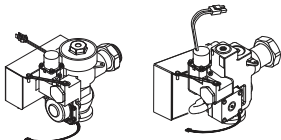


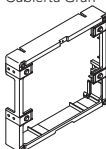







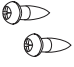
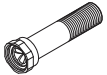


¡Gracias por elegir TOTO!.....	21
Incluía partes.....	21
Herramientas que necesita.....	22
Inicialización del producto.....	22
Características.....	22
Especificaciones.....	23
Información técnica.....	24
Advertencias.....	25
Antes de la instalación.....	25
Procedimiento de instalación.....	26
Prueba de funcionamiento.....	33
Después de la instalación.....	34
Uso del fluxómetro.....	34
Mantenimiento periódico.....	34
Cuidado y limpieza.....	34
Resolución de problemas.....	35
Garantía.....	39
Bosquejo.....	78
Especificaciones de Agua Reclamada.....	81

¡GRACIAS POR ELEGIR TOTO!

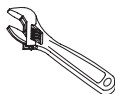
La misión de TOTO es dar al mundo estilos de vida más saludables, higiénicos y cómodos. Diseñamos cada producto guiándonos por el principio del equilibrio entre forma y función. Felicitaciones por su elección.

INCLUÍA PARTES

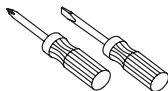
Asegúrese que todas estas partes estén incluidas en su empaçado*:

 <p>Montaje de cuerpo del fluxómetro</p> <p>(TEU2UA(R)(X) sólo) (TEU3UA(R)(X) sólo)</p>		 <p>Cubierta Gran</p>	 <p>Cubierta Pequeña</p>	 <p>Cubierta Gran</p>	 <p>Cubierta Pequeña</p>
		Cubierta frontal		Bastidor base	
 <p>Manual de Instalación y del Propietario</p>	 <p>Etiqueta de aviso</p>	 <p>Cables de conexión</p>	 <p>Arandela</p>	 <p>Tornillos hexagonal es a prueba de vandalismo</p>	 <p>Llave hexagonal</p>
 <p>Tornillos</p>	 <p>Tubo rompedor de vacío</p>	<p>TET3GA32 TET3LA(X)32 TET3UA(X)32 TET2GA32 TET2LA(X)32 TET2UA(X)32 TEU3LA(X)12 TEU3UA(X)12 TEU2LA(X)12 TEU2UA(X)12</p>	<p>TET3GA33 TET3LA(X)33 TET3UA(X)33 TET2GA33 TET2LA(X)33 TET2UA(X)33</p>	<p>TET3GA31 TET3LA(X)31 TET3UA(X)31 TET2GA31 TET2LA(X)31 TET2UA(X)31</p>	<p>TEU3LA(X)11 TEU3UA(X)11 TEU2LA(X)21 TEU2UA(X)11 TEU3LA(X)21 TEU2LA(X)11</p>
 <p>Llave de paso</p>	 <p>Tubo de descarga</p>				

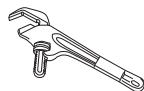
HERRAMIENTAS QUE NECESITA



Llave ajustable



Destornillador (Phillips y Plano)



Llave de tubo

INICIALIZACIÓN DEL PRODUCTO

Gracias por elegir la última innovación en productos EcoPower de bajo consumo de energía. Tenga en cuenta a continuación la duración del tiempo necesario para inicializar la electrónica.

Tenga en cuenta que tardará al menos 5 minutos después de conectar la batería para que la electrónica se inialice. Este retraso es una parte normal del inicio. Después de aproximadamente 30 segundos, el LED del sensor comenzará a parpadear en intervalos de 4 segundos hasta que finalice la inicialización.

CARACTERÍSTICAS

Completamente Automático e Higiénico

El fluxómetro EcoPower utiliza un sensor infrarrojo para detectar al usuario que utiliza y acciona el aparato, para proporcionar una descarga automática después de un breve retraso. No se requiere ninguna operación manual para mejorar la experiencia de uso y la higiene del aparato.

Temporizador de Protección del Sistema

Cuando el inodoro no se utiliza durante 24 horas y 12 horas para urinario el temporizador de protección da la orden al sistema para activar una descarga a fin de mantener el sello de la trampa.

Funcionalidad Manual

El fluxómetro EcoPower tiene un botón de descarga manual para el mantenimiento y el uso de emergencia.

Características Ecológicas

Conserva la Energía

Cada descarga activa un generador de energía hidráulica que genera energía eléctrica para la siguiente descarga. (Consulte *Acerca del Generador de Energía Hidráulica de TOTO*, página 24)

Conserva el Agua

Existen dos funciones que ayudan al fluxómetro EcoPower a conservar el agua:

Control Lógico Difuso

El fluxómetro EcoPower puede detectar con qué frecuencia y durante cuánto tiempo se ha utilizado el aparato para entregar la cantidad correcta de agua. (Consulte *Acerca de Control Lógico Difuso*, página 24)





Antidescarga Consecutiva

El fluxómetro EcoPower ofrece la prevención de descargas consecutivas que ahorran agua.

Después de una descarga, la válvula no se volverá a descargar de manera automática durante 10 segundos para los urinarios y 30 segundos para los inodoros.

Los fluxómetros EcoPower de TOTO están diseñadas para funcionar durante 10 años, en condiciones normales, sin uso mínimo requerido.

ESPECIFICACIONES

		Inodoros			Urinarios	
Figura	Cubierta Gran					
	Cubierta Pequeña					
Número de modelo	Cubierta Gran	TET2GAR	TET2LA(R)(X)	TET2UA(R)(X)	TEU2LA(R)(X)	TEU2UA(R)(X)
	Cubierta Pequeña	TET3GAR	TET3LA(R)(X)	TET3UA(R)(X)	TEU3LA(R)(X)	TEU3UA(R)(X)
Volumen		1.6 G (6L)	1.28 G (4.8L)	1.0 G (3.8L)	0.5 G (1.9L)	0.125 G (0.47L)
Tipo de Inodoro/Urinario		Tipo de fluxómetro			Mingitorio de baldeo	
Entrada de parada de control		1" NPT			3/4" NPT	
Entrée de valve de chasse		1-1/4" NPSM				
Sortie de valve de chasse		1-1/2" NPSM				
Presión de suministro de agua	Mínimo (Fluir)	35 psi (241kPa)			15 psi (103 kPa)	
	Máximo* (Estática)	125 psi (862kPa)				
Presión de apagado		7 psi (48kPa)				
Dimensión de la cubierta	Cubierta Gran	12-5/8" (H) × 14-3/16" (W) (320mm(H) × 360mm(W))				
	Cubierta Pequeña	4-23/32" (H) × 4-23/32" (W) (120mm(H) × 120mm(W))				
Rango de detección de frente		Dentro de 33-1/2" (850mm)				
Tiempo de detección		6 s				
Protección del sello de la trampa		Descarga automática cada 24 horas de no utilización			Descarga automática cada 12 horas de no utilización	
Temperatura ambiente		32-104°F (0-40°C)				
Temperatura de agua		34-104°F (1-40°C)				

NOTA: Consulte al fabricante del aparato para la presión mínima requerida para la válvula.

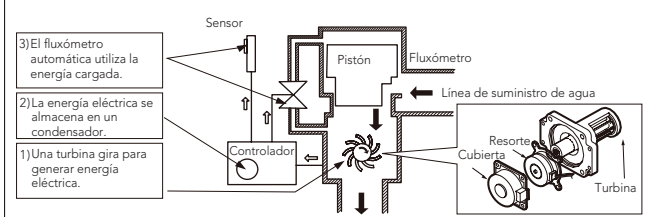
* No se recomiendan las presiones de agua de más de 80 psi para la mayoría de los accesorios de plomería.

INFORMACIÓN TÉCNICA

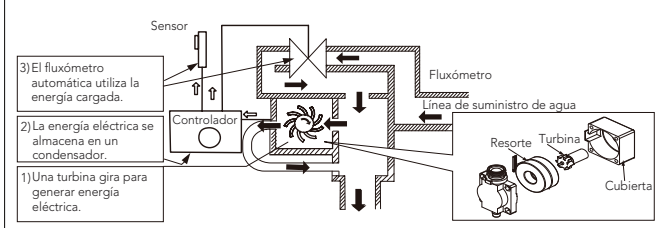
Acerca del Generador de Energía Hidráulica

El flujo de agua hace que la turbina gire en el generador de energía. Este proceso genera energía eléctrica y permite que funcione el fluxómetro automática. Ver ilustración 1 a continuación.

- TET2LA(R)(X)
- TET2GAR
- TET2UA(R)(X)
- TET3LA(R)(X)
- TET3GAR
- TET3UA(R)(X)
- TEU2LA(R)(X)
- TEU3LA(R)(X)



- TEU2UA(R)(X)
- TEU3UA(R)(X)



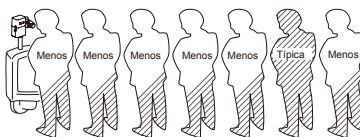
ill. 1 Generador de Energía Hidráulica

Acerca de Control Lógico Difuso (TEU1GAR)

La función de Control Lógico Difuso ajusta de manera automática la descarga de agua de acuerdo con la frecuencia y la duración de uso (ver ilustración 2 y ilustración 3).

El sistema Control Lógico **Tiempos Cortos de Inactividad**

Difuso del sistema determina la frecuencia de uso por el tiempo de inactividad del urinario y hace que la fluxómetro suelte agua en un patrón óptimo de descarga.



Para los tiempos cortos de inactividad, el sistema asume el uso frecuente del urinario y el fluxómetro suelta menos agua. Ejemplos de uso frecuente sería durante una pausa para almorzar o un intermedio en una sala de cine.

Tiempos Largos de Inactividad



Para tiempos largos de inactividad, el sistema asume un uso poco frecuente, y hace que el fluxómetro entregue una cantidad típica de agua para una limpieza a fondo. Ejemplos de uso poco frecuente sería después de las horas en la oficina o un día lento en el parque day.

ill. 2 Frecuencia de Uso

El sistema Control Lógico **Largo Período de Uso**

Difuso predice la cantidad de agua de descarga necesaria, con base en la duración de uso del usuario.



Un largo período de uso indica que puede haber más para descargar, lo que requiere que el fluxómetro suministre una cantidad típica de agua de descarga para una descarga a fondo.

Corto Período de Uso



Un corto período de uso indica que puede haber menos para descarga, lo que requiere que el fluxómetro libere menos agua para de descarga.

ill. 3 Duración de Uso

ADVERTENCIAS

Lea y cumpla estas instrucciones. No hacerlo podría dar lugar a lesiones personales o daños materiales.

- Nunca salpique agua en el controlador. El fluxómetro EcoPower es un aparato eléctrico. Riesgo de mal funcionamiento del producto.
- No golpee ni patee el fluxómetro EcoPower. Riesgo de mal funcionamiento o fuga de agua.
- No utilice el fluxómetro EcoPower a temperaturas superiores a las permitidas por los códigos locales o las especificaciones del producto. Riesgo de mal funcionamiento del producto.
- No coloque el fluxómetro EcoPower en una habitación con alta humedad, como el área de la ducha o en la sauna. Riesgo de mal funcionamiento del producto.
- Nunca intente desmontar, volver a montar, reparar o modificar el fluxómetro EcoPower a menos que usted sea un profesional. Riesgo de mal funcionamiento del producto y descargas eléctricas.
- No utilice el interruptor de vacío o la llave de paso con válvula de descarga de agua saneada.
- No utilice sellantes de tubería o productos a base de petróleo, hacerlo podría dañar el producto y causar daños por agua.

ANTES DE LA INSTALACIÓN

Importante: La instalación de la plomería debe hacerse de acuerdo con los códigos y reglamentos aplicables. Las líneas de suministro de agua deben dimensionarse para proporcionar un volumen adecuado de agua para cada aparato. Descargue todas las líneas de agua antes de utilizarlas.

- Los fluxómetros de inodoro y urinario no son intercambiables, compruebe el número de modelo en la etiqueta para asegurarse de que tiene el tipo correcto. Los números de modelo del fluxómetro del inodoro comienzan con 'TET' y los modelos del fluxómetro urinario empiezan con 'TEU'.
- Antes de instalar su fluxómetro, instale los elementos que se enumeran a continuación:
 - Accesorio Inodoro/Accesorio Urinario
 - Línea de drenaje
 - Línea de suministro de agua

La tubería de suministro de estos dispositivos debe estar anclada firmemente a la estructura del edificio para evitar que el dispositivo instalado se mueva durante el uso. Tenga cuidado al instalar el dispositivo para evitar estropear la superficie expuesta. **Importante:** Limpie todo el aire de las líneas de suministro antes de conectar la válvula de descarga al recipiente. El aire atrapado en las líneas de suministro puede romper la china.

- Tenga cuidado de no dañar la superficie del sensor infrarrojo.
- **Para el fluxómetro del Inodoro:**
El fluxómetro del inodoro puede no funcionar si el asiento y/o la tapa del inodoro se dejan en posición vertical, ya que puede bloquear el sensor.
- **Para el fluxómetro del Urinario:**
El fluxómetro del urinario está diseñada para un rendimiento óptimo con urinarios de lavado para un rendimiento óptimo, pero se puede sustituir un urinario de chorro. No se recomiendan los urinarios Blowout.
- **Para la válvula de descarga de agua saneada:**
Utilice únicamente el interruptor de vacío y la llave angular de agua saneada.
- Ver rango de detección del sensor infrarrojo en p. 38.
- Para evitar el mal funcionamiento del fluxómetro, no instale un pasamanos o cualquier otro objeto dentro del rango de detección del sensor. No instale el fluxómetro donde el sensor esté al frente de un espejo, una pared de acero inoxidable, otras superficies altamente reflectantes u otro sensor infrarrojo.

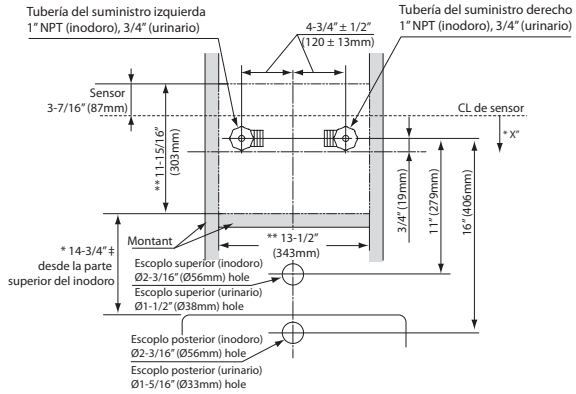
PROCEDIMIENTO DE INSTALACIÓN — GRAN CUBIERTA

1. Determine la ubicación de la instalación de los pernos y la tubería del suministro de agua en relación con la posición del orificio del aparato.
2. Si es necesario, deslice un adaptador de soldadura de rosca en la tubería del suministro de agua.
3. Coloque la llave de paso a la tubería.
4. Perfore un agujero guía para la tubería de descarga en la pared.

NOTA: Coloque la llave de paso antes de instalar el bastidor base. Debe utilizarse compuestos de sellado de rosca solo en roscas NPT macho.

NOTA: Para el agua saneada, no utilice el interruptor de vacío estándar o la llave de paso.

NOTA: No utilice sellantes de tubería o productos a base de petróleo



* X", ± = Se requiere al menos 5" de espacio libre desde el sensor hasta la punta del asiento del inodoro o hasta la parte superior de la barra de apoyo para evitar una detección falsa. Para la instalación del inodoro.

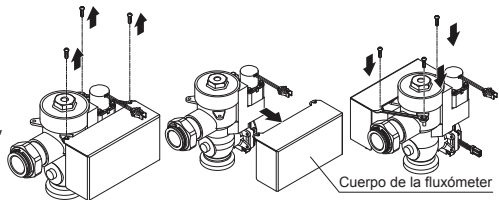
** Abertura en la pared



Para el uso con el suministro de agua izquierda, extraiga el controlador y vuelva a montarlo al lado opuesto del cuerpo de la fluxómetro.



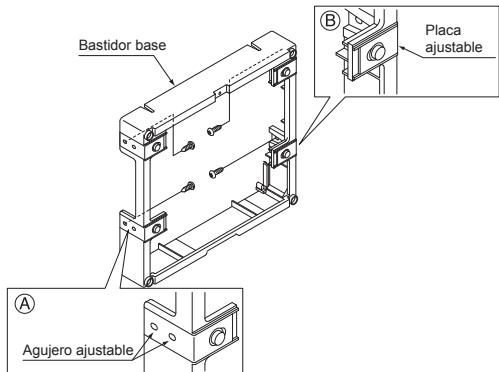
Proteger los conexiones de cables, manteniéndolos dentro de la caja del controlador.



Despegar

Volver al montar

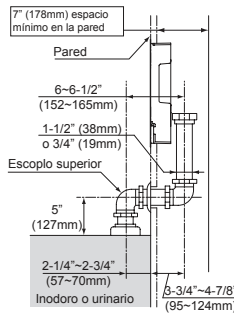
5. Fije el bastidor base a los pernos con cuatro tornillos (preparado en el lugar) después de ajustarlo. (A)
6. Asegure el bastidor base con cuatro tornillos en la placa ajustable. (B)



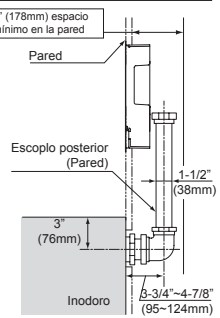
PROCEDIMIENTO DE INSTALACIÓN — GRAN CUBIERTA

- Pase el tubo de desagüe y el regulador de vacío a través del agujero guía (Paso 3) y móntelos en la taza.
- Si es necesario, corte el tubo regulador de vacío a la longitud apropiada.

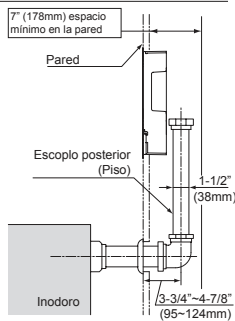
TET2LA(X)32, TET2GA32, TET2UA(X)32
TEU2LA(X)12, TEU2UA(X)12



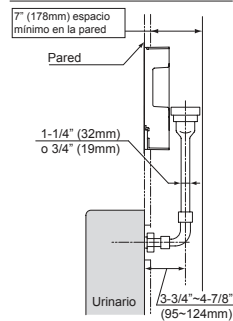
TET2LA(X)31, TET2UA(X)31
TET2GA31



TET2LA(X)33, TET2UA(X)33
TET2GA33

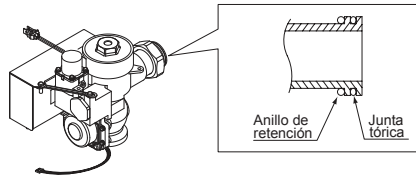


TEU2LA(X)11, TEU2LA(X)21
TEU2UA(X)11

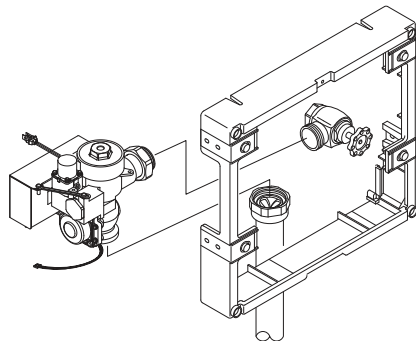


- Asegúrese de que la junta tórica encaja en la ranura en el extremo del tubo de desagüe del fluxómetro.

NOTA: Tenga cuidado de no dañar la junta tórica al insertar el tubo de desagüe en la llave de paso. Si se necesita lubricación, moje la junta tórica con agua.



- Conecte el fluxómetro con la llave de paso y el tubo regulador de vacío.



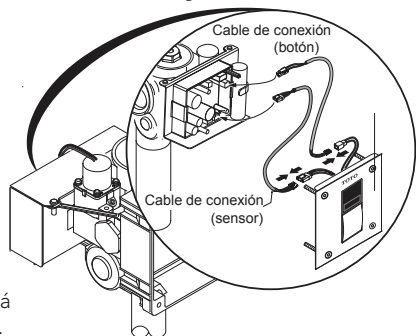
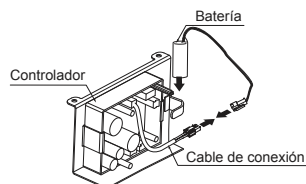
PROCEDIMIENTO DE INSTALACIÓN — GRAN CUBIERTA

11. Conecte el cable del batería con el cable de conexión.
12. Conecte los cables del sensor infrarrojo y el controlador con el cable de conexión.
13. Conecte los cables del botón de descarga manual y del controlador con el cable de conexión.

NOTA: Tenga en cuenta que tardará al menos 5 minutos después de conectar la batería para que la electrónica se inicialice. Después de aproximadamente 30 segundos, el LED del sensor comenzará a parpadear en intervalos de 4 segundos hasta que finalice la inicialización.

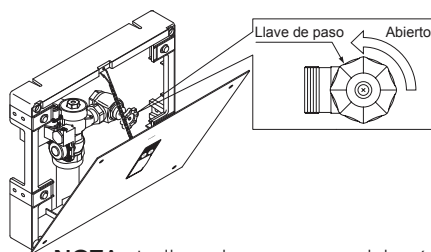
14. Antes de abrir el suministro de agua, asegúrese de que todas las fugas de agua se eliminan al ajustar todas las conexiones de la tubería.

NOTA: Si por alguna razón es necesario retirar la llave de paso, asegúrese de que el agua está cerrada en la válvula de suministro principal.



Los fluxómetros están predefinidas para volumen l de descarga como está marcado en la caja de la válvula. Esto no requiere ajuste para la variación en la presión de agua dentro de su rango de operación.

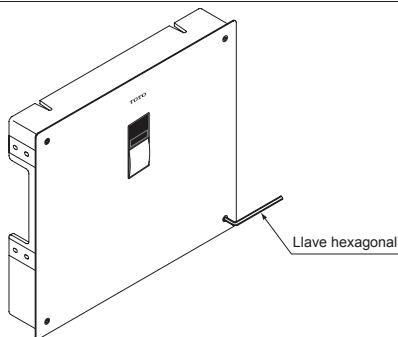
15. Para colocar el fluxómetro en su funcionamiento correcto, abra la llave de paso por completo y active la fluxómetro varias ocasiones.
16. En el caso de flujo excesivo debido a la alta presión del agua, ajuste gradualmente la llave de paso hacia la derecha (hacia la posición cerrada) hasta que haya un flujo de agua adecuado en el aparato.



NOTA: La llave de paso nunca deberá abrirse hasta el punto donde el flujo del fluxómetro excede la capacidad de flujo del aparato. En caso de una falla de la válvula, el agua debe desbordarse del aparato.

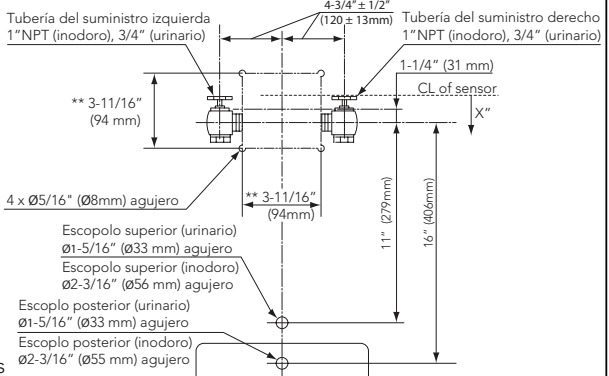
17. Ajuste los tornillos de la cubierta frontal en el bastidor de la base firmemente con la llave hexagonal.

Asegúrese de que no haya ningún cable, alambre o cadena atrapados entre la cubierta frontal y el bastidor base.



PROCEDIMIENTO DE INSTALACIÓN — CUBIERTA PEQUEÑA

1. Determine la ubicación de la instalación de tubería del suministro de agua
2. Si es necesario, deslice un adaptador de soldadura de rosca en la tubería del suministro de agua.
3. Coloque la llave de paso a la tubería.
4. Perfore un agujero guía para la tubería de descarga en la pared.



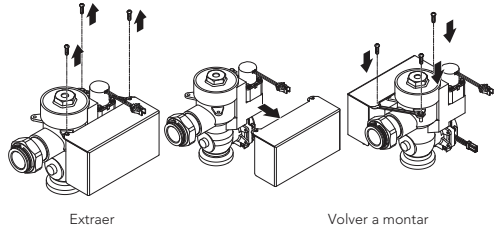
NOTA: Debe utilizarse compuestos de sellado de rosca solo en roscas NPT macho.

* X, ≠ = Se requiere al menos 5" de espacio libre desde el sensor hasta la punta del asiento del inodoro o hasta la parte superior de la barra de apoyo para evitar una detección falsa. Para la instalación del inodoro.

** Abertura en la pared

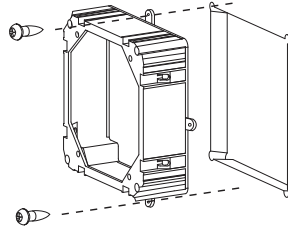
Para utilizar con un suministro de agua izquierda, separe el controlador y vuelva a montarlo al lado opuesto del cuerpo de la válvula.

Proteger los conexiones de cables, manteniéndolos dentro de la caja del controlador.



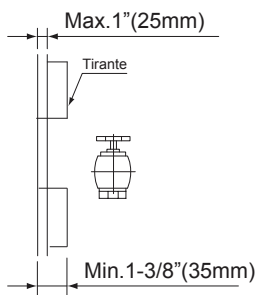
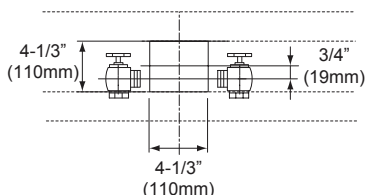
5. Asegure el bastidor a la pared con dos tornillos del bastidor base. Vea otras opciones de instalación del bastidor base en la página siguiente.

NOTA: El espesor de la pared debe ser de 1/2" (13 mm) como mínimo y 1-3/8" (35 mm) como máximo. Si el grosor de la pared es menor que 1/2" (13 mm), adjunte un bastidor de madera detrás de la pared.



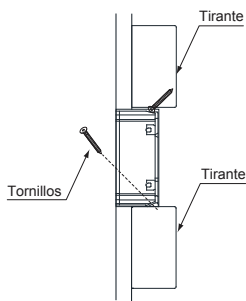
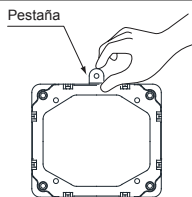
PROCEDIMIENTO DE INSTALACIÓN — CUBIERTA PEQUEÑA

Otras opciones de instalación del bastidor base



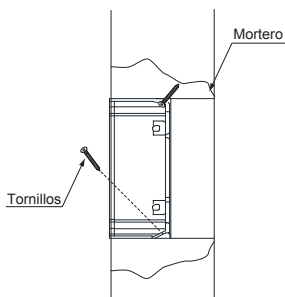
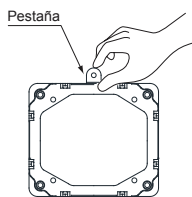
Opción 5A (con tirante)

1. Retire todas las pestañas al lado del bastidor base.
2. Fije el bastidor base al tirante con 4 tornillos (preparado en el lugar).



Opción 5B (para pared de hormigón)

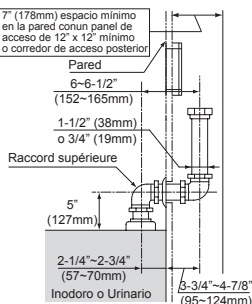
1. Recorte un lugar para la cubierta en la pared.
2. Retire todas las pestañas al lado del bastidor base antes de la instalación.
3. Fijar el bastidor base en su lugar con un mortero.
4. Asegure el bastidor base con 4 tornillos (preparado en el lugar), si es necesario.



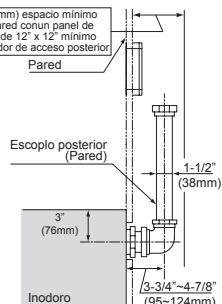
PROCEDIMIENTO DE INSTALACIÓN — CUBIERTA PEQUEÑA

- Pase el tubo de cola y el tubo regulador a través del agujero guía y móntelos en la taza.
- Si es necesario, corte el tubo regulador de vacío de presión a la longitud apropiada.

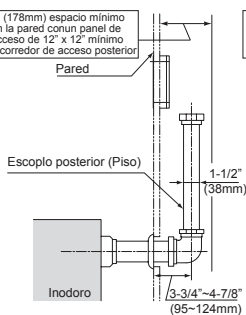
TET3LA(X)32, TET3GA32, TET3UA(X)32
TEU3LA(X)12, TEU3UA(X)12



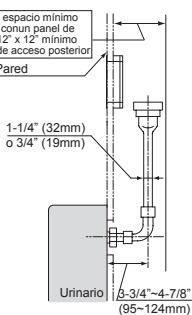
TET3LA(X)31, TET3UA(X)31
TET3GA31



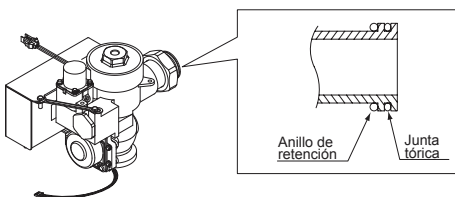
TET3LA(X)33, TET3UA(X)33
TET3GA33



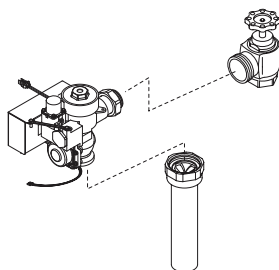
TEU3LA(X)11, TEU3LA(X)21
TEU3UA(X)11



- Asegúrese de que la junta tórica encaja en la ranura en el extremo del tubo de desagüe del fluxómetro.
- Tenga cuidado de no dañar la junta tórica al insertar el tubo de desagüe en la llave de paso. Si se necesita lubricación, moje la junta tórica con agua.

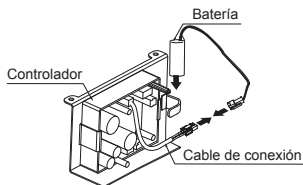


- Conecte el fluxómetro con la llave de paso y el tubo regulador de vacío.
- Ajuste la tuerca de unión con una llave lo suficiente para evitar cualquier fuga de agua.

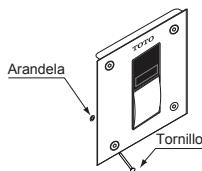


PROCEDIMIENTO DE INSTALACIÓN — CUBIERTA PEQUEÑA

12. Conecte el cable de la batería con el controlador y coloque la batería en su posición.



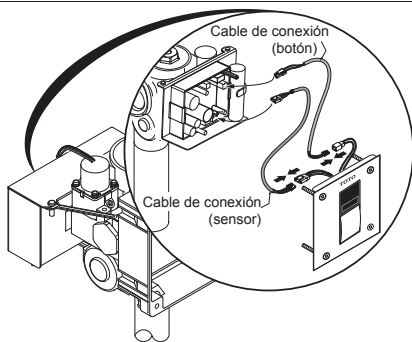
13. Coloque la cubierta frontal a la pared con arandelas entre la cubierta y la pared y los tornillos a prueba de vandalismo.



14. Conecte los cables del sensor infrarrojo y el controlador con el cable de conexión.

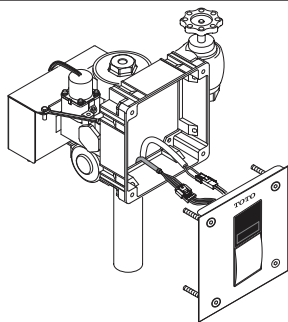
15. Conecte los cables del botón de descarga manual y del controlador con el cable de conexión.

NOTA: Se tardará 5 minutos después de conectar la batería para que la electrónica se inicialice. Después de aproximadamente 30 segundos, el LED del sensor parpadeará en intervalos de 4 segundos hasta que finalice la inicialización.



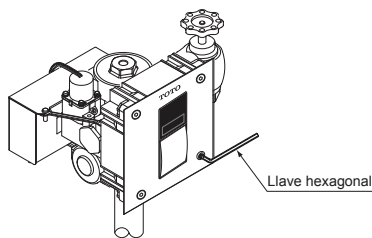
16. Antes de abrir el suministro de agua, asegúrese de que todas las fugas de agua se eliminan al ajustar todas las conexiones de la tubería.

NOTA: Si por alguna razón es necesario retirar la llave de paso, asegúrese de que el agua está cerrada en la válvula de suministro principal.



17. Ajuste los tornillos de la cubierta frontal en el bastidor de la base firmemente con la llave hexagonal.

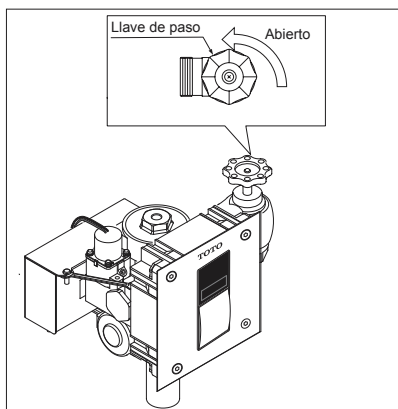
Asegúrese de que no haya ningún cable, alambre o cadena atrapados entre la cubierta frontal y el bastidor base.



PROCEDIMIENTO DE INSTALACIÓN — CUBIERTA PEQUEÑA

El fluxómetro están predefinidas para el volumen del aparato como está marcado en la caja de la válvula. El fluxómetro no requiere ajuste para la variación en la presión de agua dentro de su rango de operación.

18. Para establecer el funcionamiento correcto de la fluxómetro, utilice el tornillo de ajuste para abrir la llave de paso por completo.
19. Active el fluxómetro varias veces.
20. En caso de flujo excesivo, ajuste gradualmente la llave de paso hacia la derecha hasta la posición cerrada utilizando el tornillo de ajuste, hasta que haya un flujo de agua adecuado en el aparato.



ADVERTENCIA: La llave de paso nunca deberá abrirse hasta el punto donde flujo del fluxómetro excede la capacidad de flujo del aparato. En caso de una falla de la válvula, el agua no debe desbordarse del aparato.

PRUEBA DE FUNCIONAMIENTO

Se tardará 5 minutos después de conectar la batería para que la electrónica se inicialice. Después de aproximadamente 30 segundos, el LED del sensor parpadeará en intervalos de 4 segundos hasta que finalice la inicialización. Espere antes de iniciar la prueba de funcionamiento.

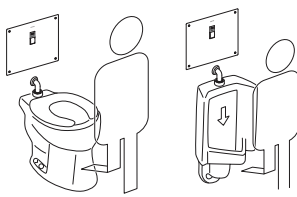
1. **Para Inodoros:** Siéntese en el asiento del inodoro.
Para Urinarios Sitúese a menos de dos pies de distancia del frente del fluxómetro.
2. Quédese ahí durante 6 segundos o más y luego deje el asiento del inodoro o el urinario. El fluxómetro debe activarse automáticamente en 3 segundos por el inodoro y inmediatamente por el urinario.
3. Pulse el botón manual de descarga durante 2 segundos y asegúrese de que la válvula se descarga correctamente y que la luz roja del sensor está encendida. Para corregir para el desbordamiento de el fluxómetro urinario, ajustar el llave de paso de las agujas del reloj.
4. Vuelva a revisar todas las conexiones de las tuberías para buscar fugas de agua. Si el fluxómetro no funciona correctamente después de la prueba de funcionamiento, consulte la sección Solución de problemas en la p.35.

DESPUÉS DE LA INSTALACIÓN

Después que la unidad del fluxómetro se ha instalado correctamente, explique a sus clientes cómo utilizarla y dígales que sigan estas instrucciones:

1. No coloque ningún objeto delante de la ventana del sensor que podría obstruirlo y provocar un mal funcionamiento.
2. En caso de algún problema, consulte la sección Solución de problemas en la p.35. Si usted carece de los conocimientos necesarios requeridos o tiene dificultad para seguir las instrucciones de instalación, mantenimiento, reparaciones, solución de problemas o ajustes del producto, no proceda sin la ayuda de una persona calificada para ayudarle.

USO DEL FLUXÓMETRO

Sensor infrarrojo	Descarga	Botón de descarga manual
 <p>El sensor infrarrojo detecta a un usuario del inodoro o que está de pie dentro de los 2 pies de distancia (600 mm) del frente del urinario.</p>	 <p>Cuando el usuario permanece en el lugar más de 6 segundos antes de salir, el regulador le indica al equipo de operación que active la Válvula de Descarga después de 3 segundos de retraso para inodoro o sin demora para urinario.</p>	 <p>Utilice el botón de descarga manual para el mantenimiento o las emergencias.</p>

Descarga cada 24/12 horas

Cuando el inodoro no se utiliza durante 24 horas (12 horas para urinario) el temporizador de protección da la orden al sistema para activar una descarga a fin de mantener el sello de la trampa.

MANTENIMIENTO PERIÓDICO

Revise su fluxómetro EcoPower al menos una vez al mes de acuerdo a estas instrucciones para evitar el riesgo de daños a la propiedad.

Revise la tubería para ver si hay alguna fuga.

CUIDADO Y LIMPIEZA

¡IMPORTANTE! No raye el sensor o placa frontal al limpiar el producto.

- Evite utilizar cualquier material de limpieza que pueda rayar la superficie.
- Nunca utilice polvo para pulir, detergente que incluya partículas corrosivas, thinners, benceno, ácidos, detergentes alcalinos ni estropajos de nylon, ya que pueden dañar la superficie.
- Para limpiar la superficie con seguridad, límpiela con un trapo remojado en detergente para trastes diluido y séquelo con otro trapo. Si esto no limpia adecuadamente la superficie, límpiela con un detergente neutro y un trapo mojado.

RESOLUCIÓN DE PROBLEMAS

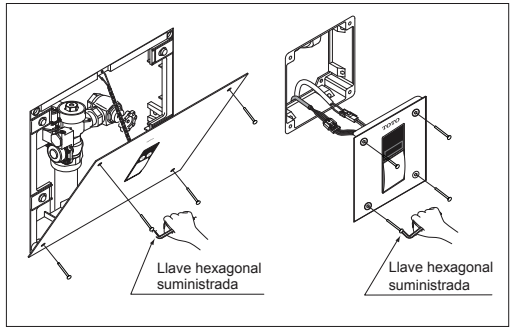
Problema	Causa Posible	Acción Sugerida	Página
No sale agua de la fluxómetro	La válvula principal en la línea de suministro de agua o la freno del control está cerrada	Abra la válvula principal o la llave de paso	-
	Uno o más cables no están conectados	Revise todas las conexiones de cable	-
	La superficie del vidrio en frente del sensor infrarrojo está sucia	Limpie la superficie del vidrio	-
	El vidrio está roto	Contacte a su distribuidor para obtener repuestos	-
	Hay una superficie reflectante en frente del sensor	Retire la superficie reflectante frente al sensor	38
	El sensor infrarrojo o el solenoide está malogrado	Contacte a su distribuidor para obtener repuestos	-
	Los pequeños agujeros en el diafragma del solenoide están atascados	Limpie el agujero pequeño en el diafragma y en el filtro	37
	El generador de energía hidráulica está atascado	Mantenimiento del generador de energía hidráulica	36
El agua no deja de fluir	El pequeño agujero en el pistón está atascado. (no para TEU*UA(R)(X))	Limpie el agujero pequeño en el pistón	37
	El área de sellado del pistón está sucia. (no para TEU*UA(R)(X))	Limpie el área de sellado del pistón	36
	El área de sellado del diafragma del solenoide está sucia.	Limpie el área de sellado del diafragma y del filtro	37
	El empaque U del pistón está dañado. (no para TEU*UA(R)(X))	Inspeccione y reemplace si es necesario	36
Volumen es demasiado pequeño	El tornillo de la llave de paso no está ajustado correctamente	Ajuste la cantidad con el tornillo de la freno del control	37
Volumen es demasiado			
La velocidad del flujo es demasiado baja	La presión de agua es demasiado baja	Consulte a un contratista de plomería	-
	La llave de paso no está abierta lo suficiente	Ajuste la llave de paso correctamente	37
La velocidad del flujo es demasiado alto	La llave de paso no está abierta lo suficiente	Ajuste la llave de paso correctamente	37
Una luz roja parpadea en la ventana del sensor	La batería tiene poca carga	Compruebe el voltaje con un multímetro, si es inferior a 2.6 V, llame a TOTO para una batería de reemplazo.	37

No desmonte las piezas del fluxómetro que no se especifican en la guía de solución de problemas. Si necesita más ayuda, por favor llame a TOTO Tech Support a (888) 295-8134.

■ DESMONTAJE

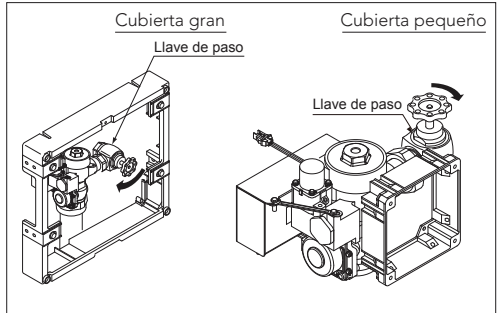
Si necesita desmontar toda la válvula del suministro de agua para darle mantenimiento, tome las siguientes precauciones:

1. Tenga cuidado de no perder o romper la arandela de fricción en la conexión de salida a la tuerca del tubo regulador de vacío. Para mantener un sellado adecuado, reemplace la arandela si es necesario.
2. Al volver a instalar el fluxómetro al suministro de agua, evite pellizcar la junta tórica.

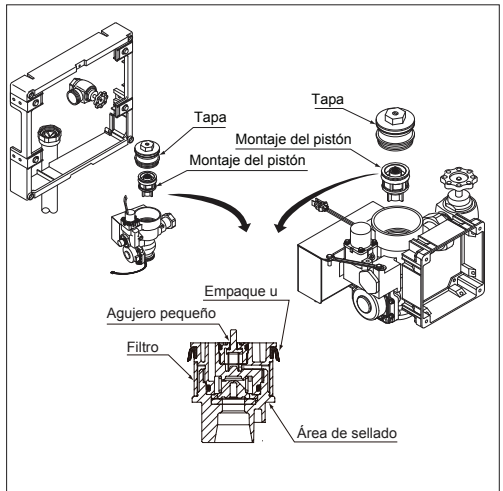


■ LIMPIEZA DEL MONTAJE DEL PISTÓN Y DEL FILTRO

1. Gire el tornillo de la llave de paso hacia la derecha para cerrar el agua.



2. Saque el montaje del pistón.
3. Revise el agujero pequeño en el pistón para ver si está atascado con desechos. Inserte un alambre pequeño para destapar el agujero si es necesario.
4. Revise el filtro para ver si está atascado con desechos y cepille suavemente para limpiar.
5. Revise el área de sellado del pistón y límpiela si está sucia.
6. Revise el empaque u para buscar fisuras o daños.

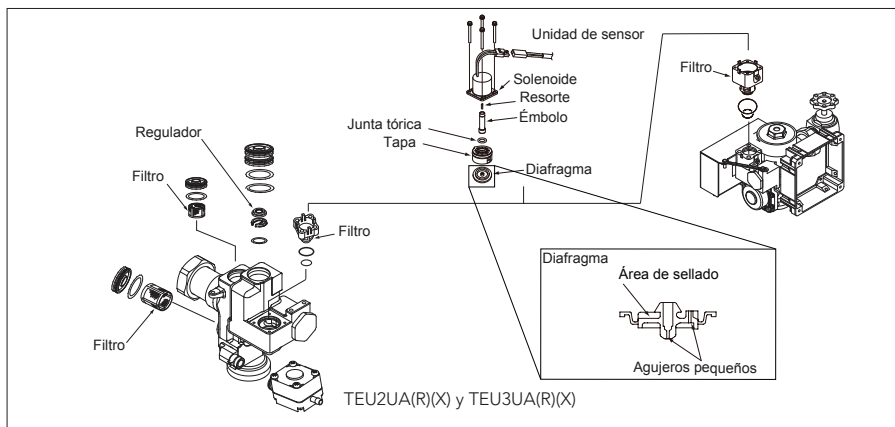


■ LIMPIEZA DEL DIAFRAGMA DEL FILTRO

1. Gire el tornillo de la llave de paso hacia la derecha para cerrar el agua.
2. Desconecte el solenoide.
3. Quite el solenoide y saque el diafragma. Luego, revise los agujeros pequeños y el área de sellado.

NOTA: Ver a continuación para el desmontaje.

NOTA: No estire o altere la forma del resorte en el fluxómetro del solenoide de ninguna manera. Se anulará la garantía.



■ MÉTODO DE REVISE EL SOLENOIDE

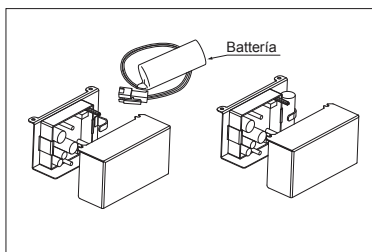
1. Asegurarse de que las baterías están colocadas correctamente y que los cables están conectados.
2. Con el suministro de agua cerrado, coloque su mano delante del sensor durante 6 segundos.
3. Retire y escuche un "clic" después de 3 segundos. Esto indica que el émbolo del solenoide se ha activado.

■ REEMPLAZO DE LA BATERÍA

Reemplace solo con la batería suministrada por TOTO. Se utiliza una batería especial de litio de respaldo.

Si una luz roja en la ventana del sensor parpadea con el ciclo de 4 segundos, es hora de reemplazar la batería.

1. Retire la batería vieja.
2. Coloque la batería nueva en la posición correcta.

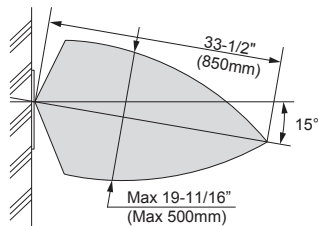


■ AJUSTE DEL FLUJO

1. Ajuste el flujo en la llave de paso.
2. Gire hacia la derecha para disminuir el flujo y gire a la izquierda para aumentarlo.

■ RANGO DE DETECCIÓN

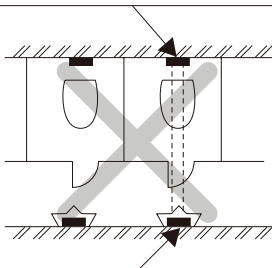
El rango de detección del sensor infrarrojo se ha fijado en la fábrica y no necesita ajuste adicional.



ADVERTENCIA

NO coloque el sensor infrarrojo de una fluxómetro de tal manera que esté en línea con el sensor de otra fluxómetro.

Sensor infrarrojo de la otra fluxómetro

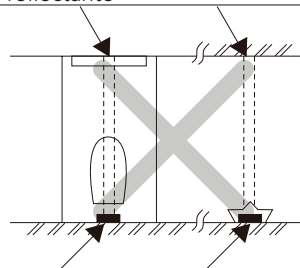


Sensor infrarrojo del fluxómetro

ADVERTENCIA

NO coloque el sensor infrarrojo delante de un espejo.

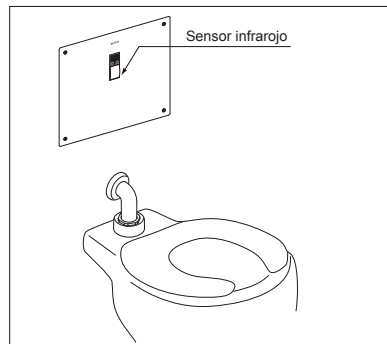
Espejo, pared sin mancha de acero y otra superficie altamente reflectante



Sensor infrarrojo del fluxómetro

NOTA: El fluxómetro puede no detectar a un usuario si el asiento del inodoro se deja en posición vertical. Esto puede ser debido a la dimensión aproximada o a la brecha del hueco del asiento comercial frontal. Baje el asiento o coordine con TOTO o otro contratista de plomería para cambiar la altura de el fluxómetro.

En algunos casos, el sensor puede tener problemas para detectar a los usuarios que usen ropa negra.



GARANTÍA

1. TOTO garantiza que sus fluxómetro grifos y dispensadores de jabón automáticos ("Producto") no tienen defectos en los materiales y mano de obra durante su uso normal, cuando son adecuadamente instalados y cuidados, por un periodo de tres (3) años a partir de la fecha de compra. Esta garantía limitada se extiende únicamente al COMPRADOR ORIGINAL del Producto y no es transferible a ninguna tercera persona, incluyendo, pero sin limitarse a, cualquier comprador o dueño subsecuente del Producto. Esta garantía aplica únicamente al Producto TOTO adquirido e instalado en América del Norte, Central y del Sur.
2. Las obligaciones de TOTO bajo esta garantía se limitan a reparar, reemplazar u otro ajuste adecuado, a elección de TOTO, del Producto o partes que estén defectuosas con el uso normal, dado que dicho Producto haya sido adecuadamente instalado, utilizado y cuidado de determinar la causa del defecto. TOTO no cobrará por el trabajo o partes relacionados con las reparaciones o cambios de la garantía. TOTO no es responsable por el costo de remoción, devolución y/o reinstalación del Producto.
3. Esta garantía no aplica a los siguientes puntos:
 - a. Daño o pérdida ocurridos en una calamidad natural, tal como un incendio, terremoto, inundación, truenos, tormenta eléctrica, etc.
 - b. Daño o pérdida resultado de cualquier accidente, uso no razonable, mal uso, abuso, negligencia o cuidado, limpieza o mantenimiento inadecuado del Producto.
 - c. Daño o pérdida resultado de sedimentos o materia extraña contenidos en un sistema de aguas.
 - d. Daño o pérdida resultado de una instalación inadecuada o de la instalación del Producto en un ambiente riguroso y/o peligros, o la remoción, reparación o modificación inadecuada del Producto.
 - e. Daño o pérdida resultado de sobrecarga eléctrica o rayos u otros actos que no sean culpa de TOTO o que el Producto no esté especificado para tolerar.
 - f. Daño o pérdida resultado del desgaste normal y acostumbrado, tal como reducción del brillo, rayado u opacamiento en el tiempo debido al uso, prácticas de limpieza o agua o condiciones atmosféricas, incluyendo pero sin limitarse a, el uso de cloro, limpiadores alcalinos o ácidos, limpiadores secos (talco) u otros limpiadores abrasivos o el uso de estropajos de metal o nylon.
4. Con el fin de que esta garantía limitada sea válida, se requiere una prueba de compra. TOTO le aconseja el registro de la garantía al momento de la compra para crear un registro de la propiedad del Producto en <http://www.totousa.com>. El registro del Producto es completamente voluntario y no hacerlo no disminuirá los derechos de su garantía limitada.
5. ESTA GARANTÍA LE OTORGA DERECHOS LEGALES ESPECÍFICOS. USTED PUEDE TENER OTROS DERECHOS QUE PUEDEN VARIAR ENTRE ESTADOS, PROVINCIAS O PAÍSES.
6. Para obtener un servicio de reparación por garantía bajo esta garantía, debe llevar el Producto o enviarlo prepagado a las instalaciones de servicio TOTO junto con su prueba de compra (recibo de venta original) y una carta declarando el problema, o póngase en contacto con un distribuidor de TOTO o contratista de servicio de productos, o escriba directamente a TOTO U.S.A., INC., 1155 Southern Road, Morrow, GA 30260 (888) 295 8134 ó (678) 466-1300, si está fuera de los Estados Unidos. Si, debido al tamaño del Producto o naturaleza del defecto, el Producto no puede devolverse a TOTO, la recepción de TOTO del aviso por escrito del defecto junto con la prueba de compra (recibo de venta original) constituirá el envío. En tal caso, TOTO puede elegir entre reparar el Producto en la ubicación del comprador o pagar el transporte del Producto a unas instalaciones de servicio.

ESTA GARANTÍA ESCRITA ES LA ÚNICA GARANTÍA HECHA POR TOTO. LA REPARACIÓN, CAMBIO U OTRO AJUSTE ADECUADO, SEGÚN LO ESTIPULADO EN ESTA GARANTÍA, SERÁ EL ÚNICO REMEDIO DISPONIBLE PARA EL COMPRADOR ORIGINAL. TOTO NO SERÁ RESPON-SABLE DE LA PÉRDIDA DEL PRODUCTO O DE OTROS DAÑOS INCIDENTALES, ESPECIALES O CONSECUENCIALES O GASTOS INCURRIDOS POR EL COMPRADOR ORIGINAL, O PARA EL TRABAJO U OTROS COSTOS DEBIDO A LA INSTALACIÓN O REMOCIÓN, O COSTOS DE REPARACIONES HECHAS POR TERCEROS, O POR CUALQUIER OTRO GASTO NO DECLARADO ESPECÍFICAMENTE ARRIBA. EN NINGÚN CASO, LA RESPONSABILIDAD DE TOTO EXCEDERÁ EL PRECIO DE COMPRA DEL PRODUCTO. EXCEPTO AL GRADO PROHIBIDO POR LA LEY APLICABLE, CUALQUIER GARANTÍA IMPLÍCITA, INCLUYENDO LA DE COMERCIALIZACIÓN O ADECUACIÓN PARA SU USO O PARA UN PROPÓSITO EN PARTICULAR, SE DECLARARÁ EXPRESAMENTE. ALGUNOS ESTADOS NO PERMITEN LAS LIMITACIONES EN LA DURACIÓN DE UNA GARANTÍA IMPLÍCITA, O LA EXCLUSIÓN O LIMITACIÓN DE LOS DAÑOS INCIDENTALES O CONSECUENCIALES, POR LO QUE LA LIMITACIÓN O INCLUSIÓN ANTERIORES PUEDE NO APLICAR PARA USTED.

TABLE DES MATIÈRES

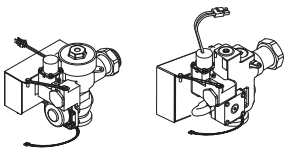


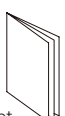






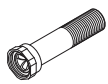






Merci d'avoir choisi TOTO!.....	40
Pièces incluses.....	40
Outils communs nécessaires.....	41
Initialisation du produit ecopower	41
Traits.....	41
Caractéristiques.....	42
Informations techniques.....	43
Prudence.....	44
Avant l'installation.....	44
Procédure d'installation.....	45
Essai.....	52
Après l'installation	53
À l'aide de la valve de chasse	53
Entretien périodique.....	53
Entretien et nettoyage.....	53
Dépannage.....	54
Garantie	58
Robinetterie Brute.....	78
Spécifications de l'eau récupérée.....	81

MERCI D'AVOIR CHOISI TOTO!

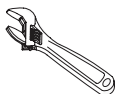
La mission de TOTO est d'offrir au monde entier un style de vie sain, hygiénique et plus confortable. Comme principe de base, nous concevons chaque produit avec un équilibre entre la forme et la fonction. Félicitations pour votre choix.

PIÈCES INCLUSES

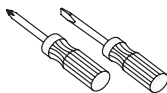
Vérifiez que toutes les pièces sont incluses dans votre paquet:

 <p>(TEU2UA(R)(X) seulement) (TEU3UA(R)(X) seulement)</p> <p>Ensemble de corps de valve</p>		<p>Couvercle frontal</p>  <p>Couvercle grand</p>		<p>Cadre de base</p>  <p>Couvercle petit</p>		
 <p>Installation et Manuel du propriétaire</p>	 <p>Étiquette de notice</p>	 <p>Câbles de raccordement</p>	 <p>Vis anti-vandalisme</p>	 <p>Rondelles</p>	 <p>Clé hexagonale</p>	
<p>Couvercle Petit seulement</p>  <p>Vis</p>	 <p>Tube reniflard</p>	<p>TET3GA32 TET3LA(X)32 TET3UA(X)32 TET2GA32 TET2LA(X)32 TET2UA(X)32 TEU3LA(X)12 TEU3UA(X)12 TEU2LA(X)12 TEU2UA(X)12</p> 		<p>TET3GA33 TET3LA(X)33 TET3UA(X)33 TET2GA33 TET2LA(X)33 TET2UA(X)33</p> 	<p>TET3GA31 TET3LA(X)31 TET3UA(X)31 TET2GA31 TET2LA(X)31 TET2UA(X)31</p> 	<p>TEU3LA(X)11 TEU3UA(X)11 TEU2LA(X)21 TEU2UA(X)11 TEU3LA(X)21 TEU2LA(X)11</p> 
 <p>Soupape de contrôle</p>		 <p>Tuyau de chasse</p>				

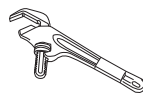
OUTILS COMMUNS NÉCESSAIRES



Clé à molette



Tournevis (Phillips and à fente)



Clé à pipe

INITIALISATION DU PRODUIT ECOPOWER

Nous vous remercions d'avoir choisi la dernière innovation dans les produits EcoPower à faible consommation d'énergie.

Veuillez noter ci-dessous la durée requise pour l'initialisation de l'électronique.

Il faudra environ 5 minutes après la connexion de la batterie pour l'électronique pour l'initialiser.

Ce retard est une partie normale de démarrage

Après environ 30 secondes, la LED du capteur se met à déclencher dans des intervalles de 4 secondes jusqu'à ce que l'initialisation soit terminée.

TRAITS

Entièrement automatique et hygiénique

La valve de chasse EcoPower utilise un capteur infrarouge pour détecter si l'utilisateur utilise et quitte l'appareil de plomberie, afin de produire une chasse automatique après un court délai. Aucune opération manuelle n'est nécessaire, améliorant ainsi l'expérience de l'utilisation et l'hygiène de l'appareil de plomberie.

Minuterie de protection du système

Quand l'appareil de plomberie reste inutilisé pendant 24 heures (12 heures pour TEU1LA et TEU1UA) la minuterie de protection commande au système de rincer afin d'effectuer l'entretien du joint de la trappe.

Fonctionnalité manuelle

La valve de chasse EcoPower dispose d'un bouton rinçage manuel pour l'entretien et l'utilisation d'urgence.

Caractéristiques Écologiques

Économise l'énergie

La valve de chasse EcoPower peut détecter à quelle fréquence et pendant combien de temps l'appareil de plomberie a été utilisé pour fournir la quantité correcte d'eau. (Consultez à propos du *Contrôle de logique floue*, p. 43)

Conserve l'eau

Deux fonctions aident la valve de chasse EcoPower à conserver l'eau:

Contrôle de logique floue





La valve de chasse EcoPower peut détecter à quelle fréquence et pendant combien de temps l'appareil de plomberie a été utilisé pour fournir la quantité correcte d'eau. (Consultez *propos du Contrôle de Logique Floue*, p. 43)

Anti-chasse consécutive

La valve de chasse EcoPower offre la prévention de chasses consécutives pour économiser l'eau. Après une chasse d'eau, la valve ne videra pas automatiquement à nouveau pendant 10 secondes pour les urinoirs et 30 secondes pour les toilettes.

La valve de chasse EcoPower de TOTO est conçue pour fonctionner pendant 10 ans, dans des conditions normales, sans aucune utilisation minimale requise.

CARACTÉRISTIQUES

		Toilette			Urinoire	
Figure	Couvercle Gran					
	Couvercle Petit					
Numéro de modèle	Couvercle Gran	TET2GAR	TET2LA(R)(X)	TET2UA(R)(X)	TEU2LA(R)(X)	TEU2UA(R)(X)
	Couvercle Petit	TET3GAR	TET3LA(R)(X)	TET3UA(R)(X)	TEU3LA(R)(X)	TEU3UA(R)(X)
Volume de chasse nominal		1.6 G (6L)	1.28 G (4.8L)	1.0 G (3.8L)	0.5 G (1.9L)	0.125 G (0.47L)
Type de toilettes / urinoirs		Toilette avec fluxomètre			Lavage à grande eau urinoir	
Entrée d'soupape de contrôle		1" NPT			3/4" NPT	
Valve d'admission		1-1/4" NPSM				
Valve d'sortie		1-1/2" NPSM				
Pression de l'eau de source d'eau	Min (Floue)	35 psi (241kPa)			15 psi (103kPa)	
	Max* (Statique)	125 psi (862kPa)				
Pression d'arrêt		7 psi (48kPa)				
Dimension de la couverture	Couvercle Gran	12-5/8" (H) x 14-3/16" (W) (320mm(H) x 360mm(W))				
	Couvercle Petit	4-23/32" (H) x 4-23/32" (W) (120mm(H) x 120mm(W))				
Plage de détection frontal		Dans 33-1/2" (850mm)				
Retard de détection		6 s				
Minuterie de protection du système		Chasse automatique après 24 heures de non-utilisation			Chasse automatique après 12 heures de non-utilisation	
Température ambiante		32-104°F (0-40°C)				
Température de l'eau		34-104°F (1-40°C)				

REMARQUE :

La pression minimale requise pour la vanne dépend du type d'appareil sanitaires. Consulter le fabricant de luminaire pour la condition de pression.

* Pressions de l'eau plus de 80 psi ne sont pas recommandés

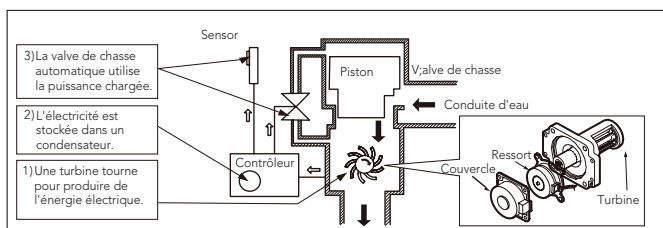
INFORMATIONS TECHNIQUES

À Propos du Générateur Hydropowered

Le débit d'eau entraîne la rotation de la turbine dans le générateur. Ce processus génère de l'électricité et permet à la valve de chasse automatique de fonctionner.

Consultez fig. 1 ci-dessous.

TET2LA(R)(X)
TET2GAR
TET2UA(R)(X)
TET3LA(R)(X)
TET3GAR
TET3UA(R)(X)
TEU2LA(R)(X)
TEU3LA(R)(X)



TEU2UA(R)(X)
TEU3UA(R)(X)

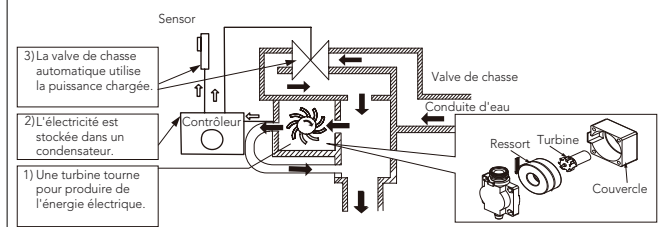


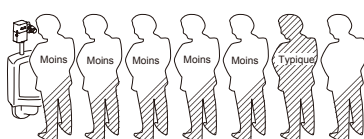
fig. 1 Générateur Hydropowered

À Propos du Contrôle de Logique Floue (TEU1GAR seulement)

La fonction de Contrôle de Logique Floue ajuste automatiquement le débit d'eau selon la fréquence et la durée d'utilisation (Consultez fig. 2 et fig. 3).

Le système Contrôle de Logique Floue juge la fréquence d'utilisation de la durée d'inactivité de l'urinoir et force la valve de chasse à chasser l'eau selon un mode optimal de chasse d'eau.

Courte Durée d'Inactivité



Pour une courte durée d'inactivité, le système suppose qu'il y a une utilisation fréquente de l'urinoir et la valve de chasse décharge moins d'eau.

Des exemples d'utilisation fréquente seraient pendant une pause déjeuner ou une entracte dans une salle de cinéma.

Longues Périodes d'Inactivité



Pour les longues périodes d'inactivité, le système suppose une utilisation peu fréquente, ce qui fait qu'il distribue une quantité typique d'eau par la valve de chasse pour la vidange complète.

Des exemples d'utilisation peu fréquente seraient pendant les heures non ouvrées au bureau ou une journée lente dans le parc/day at the park.

fig. 2 Fréquence d'Utilisation

Le système de Contrôle de logique floue permet de prévoir la quantité d'eau nécessaire selon la durée d'utilisation de l'utilisateur.

Longue Durée D'utilisation



Une utilisation de longue durée indique qu'il peut y avoir plus à vider, exigeant que la valve de chasse distribue une quantité typique d'eau pour la vidange complète.

Courte Durée D'utilisation



Une courte durée d'utilisation indique qu'il peut y avoir moins à vider, exigeant que la valve de chasse décharge moins d'eau de décharge.

fig. 3 Durée d'Utilisation

PRUDENCE

Veillez lire et respecter ces consignes. Tout manquement à ces instructions peut entraîner des blessures corporelles ou des dommages matériels.

- Ne jamais projeter de l'eau sur le contrôleur. La valve de chasse EcoPower est un appareil électrique. Risque de dysfonctionnement du produit.
- Ne frappez pas et ne donnez pas de coup de pied sur la valve de chasse EcoPower. Risque de dysfonctionnement du produit ou de fuite d'eau.
- N'utilisez pas la valve de chasse EcoPower à des températures supérieures à ce que les codes locaux ou les spécifications permettent. Risque de dysfonctionnement du produit.
- Ne placez pas un élément dans une pièce humide comme la zone de douche ou au sauna. Risque de dysfonctionnement du produit.
- N'essayez jamais de démonter, remonter, réparer ou modifier la valve de chasse EcoPower sauf si vous êtes un professionnel. Risque de dysfonctionnement du produit et de décharge électrique.
- Ne pas utiliser un reniflard standard ou un contrôle d'arrêt avec valve de chasse à eau recyclée.
- Ne pas utiliser de produits à base de pétrole ou de produits d'étanchéité pour tuyaux, cela pourrait endommager le produit et causer des dégâts d'eau.

AVANT L'INSTALLATION

Important : L'installation de plomberie doit être conforme aux codes et règlements en vigueur. Les conduites d'eau doivent être dimensionnées pour fournir un volume suffisant d'eau pour chaque appareil de plomberie. Vidangez toutes les conduites d'eau avant l'opération.

- Les fluxomètres de toilette et d'urinoir ne sont pas interchangeables, vérifiez le numéro de modèle sur l'étiquette pour vous assurer que vous avez le type correct. Les numéros de modèle du fluxomètre de toilette commencent par «TET» et les modèles de fluxomètre d'urinoir commencent par «TEU».
- Avant d'installer votre valve de chasse, installez les éléments énumérés ci-dessous :
 - Appareil de plomberie de toilette/appareil de plomberie d'urinoir
 - Tuyau de vidange
 - Conduite d'eau

La tuyauterie d'alimentation de ces appareils doit être solidement fixée à la structure du bâtiment pour empêcher l'appareil installé de se déplacer durant l'utilisation.

Important : Purger tout l'air des conduites d'alimentation avant de brancher la valve de chasse dans le bol. L'air piégé dans les conduites d'alimentation peut craquer la china.

- Prenez soin de ne pas endommager la surface du capteur infrarouge.
- **Pour la valve de chasse de toilette :**

La valve de chasse de toilette peut ne pas fonctionner si le siège de toilette et/ou le dessus de couvercle restent verticaux car il peut bloquer le capteur.
- **Pour valve de chasse d'urinoir :**

La valve de chasse d'urinoir est conçue pour des performances optimales avec les urinoirs à alimentation et lavage à chasse directe pour une performance optimale, mais un urinoir à évacuation siphonique peut-être substitué. Les urinoirs à alimentation et lavage à chasse directe ne sont pas recommandés.
- **Pour valve de chasse à eau recyclée :**

Utiliser uniquement un robinet angulaire à eau recyclée et un reniflard.
- Consultez la plage de détection du capteur infrarouge à la p.57.
- Pour éviter tout dysfonctionnement de la valve, n'installez pas de main courante ou tout autre objet dans la plage de détection du capteur. N'installez pas la valve de chasse où le capteur fait face à un miroir, un mur en acier inoxydable, d'autres surfaces hautement réfléchissantes ou un autre capteur infrarouge.

PROCÉDURE D'INSTALLATION — GRAND COUVERCLE

1. Déterminez l'emplacement de l'installation des montants et du tuyau d'alimentation en eau par rapport à la position de l'appareil de plomberie.
2. Si nécessaire, faites glisser un adaptateur fileté à souder sur le tuyau d'alimentation en eau.
3. Fixez le soupape de contrôle sur le tuyau.
4. Percez un trou de guidage pour le tuyau de chasse dans le mur.

REMARQUE :

Fixez le soupape de contrôle avant d'installer le cadre de base fixant le cadre.

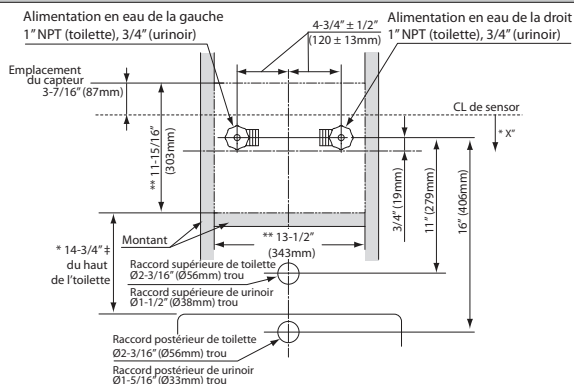
Des composés d'étanchéité doivent être utilisés sur les filets NPT mâles seulement.

REMARQUE :

Pour l'eau recyclée, ne pas utiliser un reniflard standard ou un contrôle d'arrêt.

REMARQUE :

Ne pas utiliser de produits à base de pétrole ou de produits d'étanchéité pour tuyaux.



* X ≠ = au moins 127mm (5 po) de dégagement du capteur à la pointe du siège de toilette en position élevée ou du haut de la barre d'appui est nécessaire pour éviter de fausses détections. Pour l'installation d'une toilette.

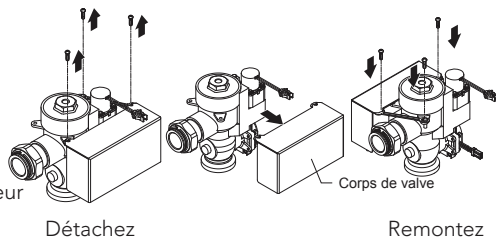
** Ouverture dans le mur



Pour une utilisation avec alimentation en eau de la gauche, fixez le dessus de couvercle du capteur dans le sens inverse donc le capteur sera à l'avant.

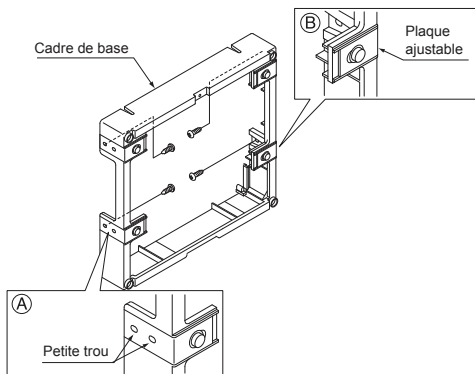


Protégez les connexions à l'intérieur du boîtier du contrôleur



5. Fixez le cadre de base sur les montants avec les quatre vis (préparées sur place) après son ajustement. (A)

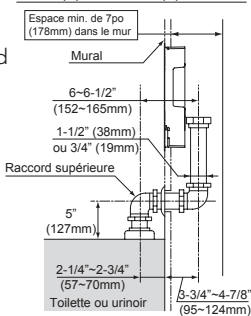
6. Fixez la base du cadre avec les quatre vis dans la plaque ajustable. (B)



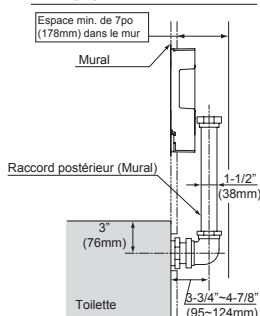
PROCÉDURE D'INSTALLATION — GRAND COUVERCLE

- Passez le tuyau de chasse et le reniflard dans le trou de guidage et montez-les sur la cuvette.
- Si nécessaire, coupez le tube de reniflard à la bonne longueur.

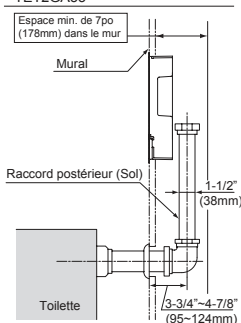
TET2LA(X)32, TET2GA32, TET2UA(X)32
TEU2LA(X)12, TEU2UA(X)12



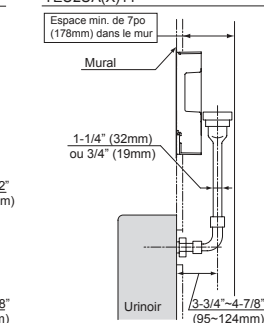
TET2LA(X)31, TET2UA(X)31
TET2GA31



TET2LA(X)33, TET2UA(X)33
TET2GA33



TEU2LA(X)11, TEU2LA(X)21
TEU2UA(X)11

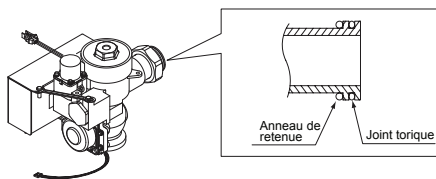


FRANÇAIS

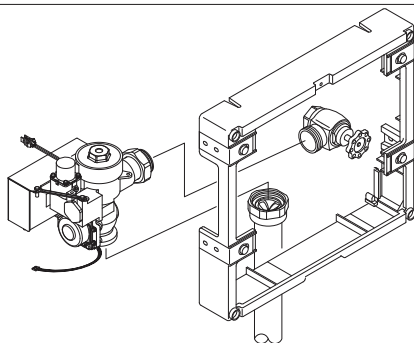
- Assurez-vous que le joint torique s'insère dans la rainure à la pièce de raccordement de la valve de chasse.

REMARQUE :

Prenez soin de ne pas endommager le joint torique lorsque vous insérez la pièce de raccordement dans la soupape de contrôle. Si la lubrification est nécessaire, mouiller le joint torique avec de l'eau.

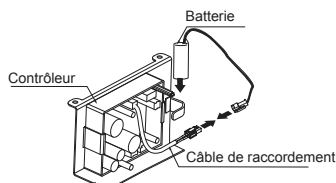


- Raccordez la valve de chasse avec la soupape de contrôle et le tuyau de reniflard.



PROCÉDURE D'INSTALLATION — GRAND COUVERCLE

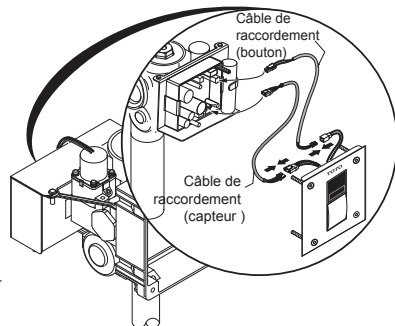
11. Branchez le câble de batterie avec le contrôleur et mettez la batterie en place.



12. Raccordez les câbles du capteur infrarouge et du contrôleur à l'aide du câble de raccordement.
13. Raccordez les câbles du bouton manuel et du contrôleur à l'aide du câble de raccordement.

REMARQUE : Il faudra environ 5 minutes après la connexion de la batterie pour l'électronique pour l'initialiser. Après environ 30 secondes, la LED du capteur se met à déclencher dans des intervalles de 4 secondes jusqu'à ce que l'initialisation soit terminée.

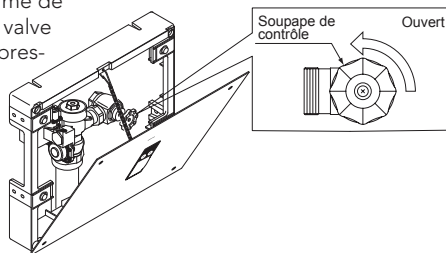
14. Avant que l'eau d'alimentation soit alimentée, veillez à ce que toutes les fuites d'eau soient éliminées en serrant tous les raccords de tuyaux.



REMARQUE : Si pour une raison quelconque, il devient nécessaire d'enlever la soupape de contrôle, assurez-vous que l'eau est coupée à la valve principale d'alimentation.

Les valves de chasse sont préréglées pour le volume de chasse tel qu'indiqué sur le carton de la valve. La valve ne nécessite pas de réglage pour la variation de pression d'eau dans sa plage de fonctionnement.

15. Pour régler la valve de chasse pour le bon fonctionnement, ouvrir la soupape de contrôle complètement et activer la valve de chasse plusieurs fois.

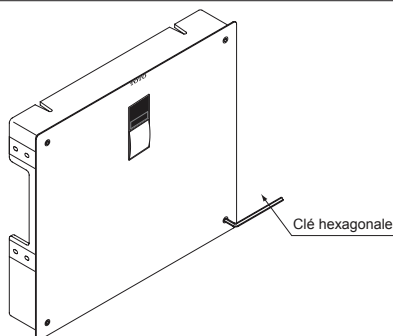


16. Dans le cas de débit excessif en raison de la pression d'eau, ajustez graduellement la soupape de contrôle dans le sens horaire (vers la position fermée) avec la vis de réglage, jusqu'à ce qu'il y ait un écoulement d'eau approprié dans l'appareil de plomberie.

REMARQUE : Le soupape de contrôle ne doit jamais être ouvert jusqu'au point où le débit de la valve de chasse dépasse la capacité de débit de l'appareil. Dans le cas d'une panne de la valve, l'eau doit déborder de l'appareil de plomberie.

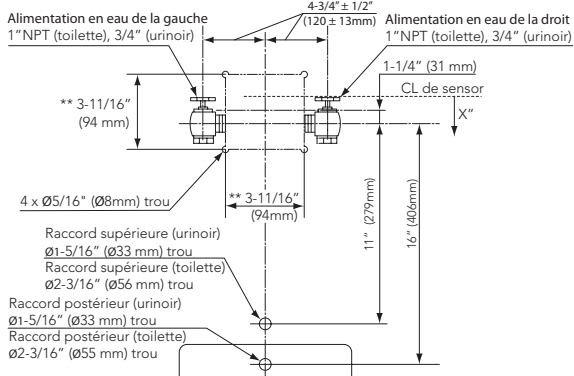
17. Serrez fermement les vis avant du couvercle dans la base du cadre avec la clé hexagonale.

Assurez-vous qu'aucun cordon, câble ou chaîne n'est pris entre le couvercle et la base du cadre.



PROCÉDURE D'INSTALLATION — COUVERCLE PETIT

1. Déterminez l'emplacement de l'installation des montants et du tuyau d'alimentation en eau par rapport à la position de l'appareil de plomberie.
2. Si nécessaire, faites glisser un adaptateur fileté à souder sur le tuyau d'alimentation en eau.
3. Fixez le soupape de contrôle sur le tuyau.
4. Percez un trou de guidage pour le tuyau de chasse dans le mur.



* X, ≠ au moins 127mm (5po) de dégagement du capteur à la pointe du siège de toilette en position élevée ou du haut de la barre d'appui est nécessaire pour éviter de fausses détections. Pour l'installation d'une toilette.

** Ouverture dans le mur

REMARQUE :

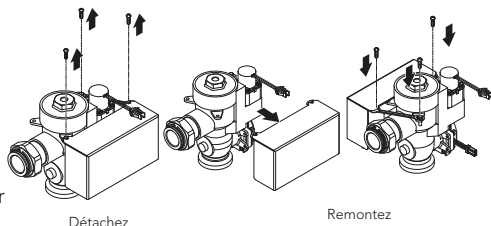
Des composés d'étanchéité doivent être utilisés sur les filets NPT mâles seulement.

FRANÇAIS

Pour une utilisation avec alimentation en eau de la gauche, fixez le dessus de couvercle du capteur dans le sens inverse donc le capteur sera à l'avant.

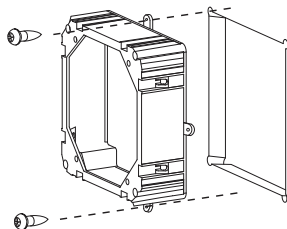


Protégez les connexions à l'intérieur du boîtier du contrôleur



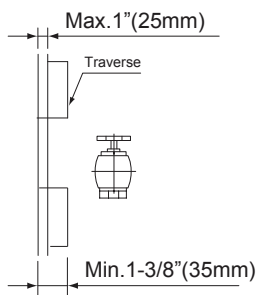
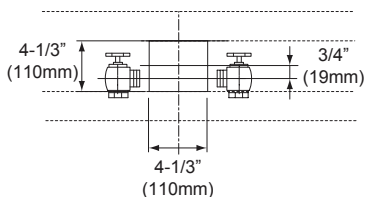
5. Fixez le cadre arrière au mur avec deux vis au cadre de base. Autres options d'installation du cadre de base sur la page suivante.

REMARQUE : L'épaisseur du mur doit être d'au minimum de 13 mm (1/2 po) et au maximum de 35 mm (1-3/8 po). Si l'épaisseur du mur est inférieure à 13 mm (1/2 po), veuillez fixer une armature en bois derrière le mur.



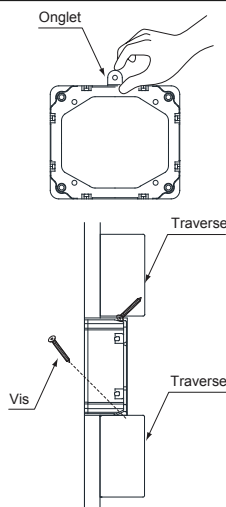
PROCÉDURE D'INSTALLATION — COUVERCLE PETIT

Autres options d'installation du cadre de base



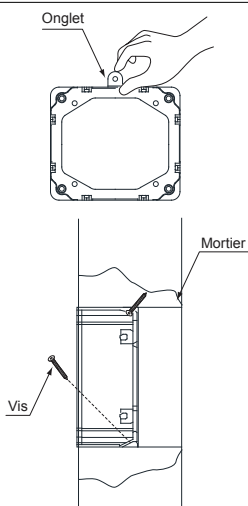
Option 5A (Traverse)

1. Retirez tous les onglets sur le côté du cadre.
2. Fixez le cadre de base avec 4 vis (préparé sur place), si nécessaire.



Option 5B (Mortier)

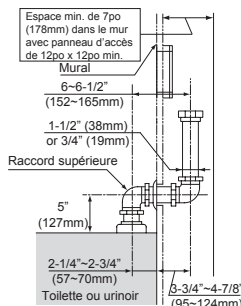
1. Découpez une place pour le couvercle dans le mur.
2. Retirez tous les onglets sur le côté du cadre de base avant l'installation.
3. Fixez le cadre en place avec du mortier.
4. Fixez le cadre de base avec 4 vis (préparé sur place), si nécessaire.



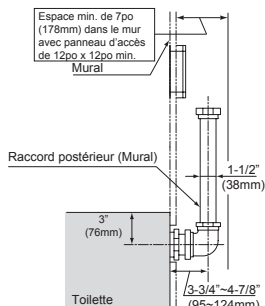
PROCÉDURE D'INSTALLATION — PETIT COUVERCLE

- Passez le tuyau de chasse et le reniflard dans le trou de guidage et montez-les sur la cuvette.
- Si nécessaire, coupez le tube de reniflard à la bonne longueur.

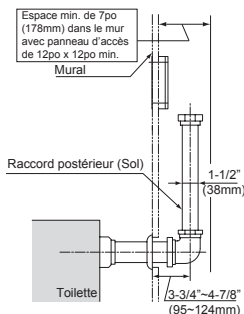
TET3LA(X)32, TET3GA32, TET3UA(X)32
TEU3LA(X)12, TEU3UA(X)12



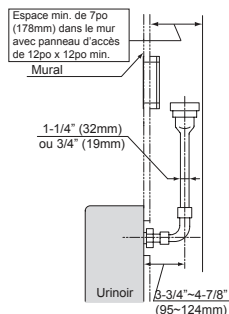
TET3LA(X)31, TET3UA(X)31
TET3GA31



TET3LA(X)33, TET3UA(X)33
TET3GA33



TEU3LA(X)11, TEU3LA(X)21
TEU3UA(X)11

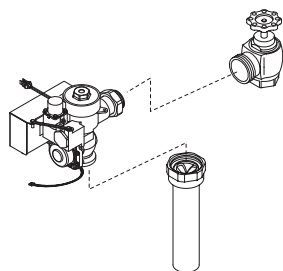
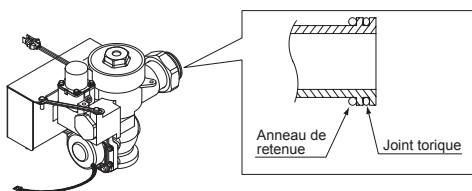


FRANÇAIS

- Assurez-vous que le joint torique s'insère dans la rainure à la pièce de raccordement de la valve de chasse.

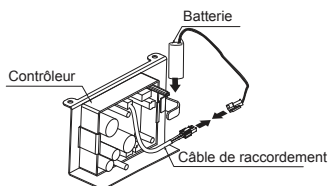
Prenez soin de ne pas endommager le joint torique lorsque vous insérez la pièce de raccordement dans la soupape de contrôle. Si la lubrification est nécessaire, mouiller le joint torique avec de l'eau.

- Raccordez la valve de chasse avec la soupape de contrôle et le tuyau de reniflard.
- Serrez l'écrou de raccordement avec une clé suffisamment pour éviter toute fuite d'eau.

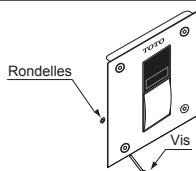


PROCÉDURE D'INSTALLATION — PETIT COUVERCLE

11. Branchez le câble de batterie avec le contrôleur et mettez la batterie en place.



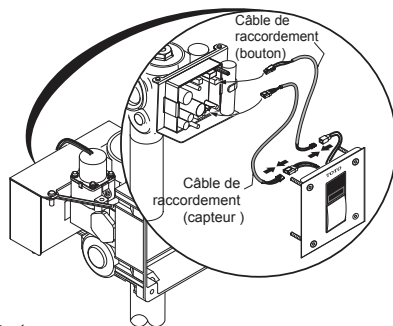
12. Fixez le couvercle avant au mur à l'aide de rondelles entre le couvercle et le mur et les vis anti-vandalisme.



13. Raccordez les câbles du capteur infrarouge et du contrôleur à l'aide du câble de raccordement.

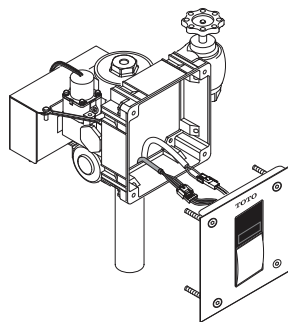
14. Raccordez les câbles du bouton manuel et du contrôleur à l'aide du câble de raccordement.

REMARQUE : Il faudra environ 5 minutes après la connexion de la batterie pour l'électronique pour l'initialiser. Après environ 30 secondes, la LED du capteur se met à déclencher dans des intervalles de 4 secondes jusqu'à ce que l'initialisation soit terminée.



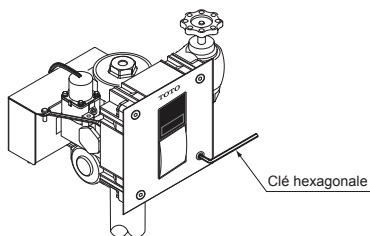
15. Avant que l'eau d'alimentation soit alimentée, veillez à ce que toutes les fuites d'eau soient éliminées en serrant tous les raccords de tuyaux.

REMARQUE : Si pour une raison quelconque, il devient nécessaire d'enlever la soupape de contrôle, assurez-vous que l'eau est coupée à la valve principale d'alimentation.



16. Serrez fermement les vis avant du couvercle dans la base du cadre avec la clé hexagonale.

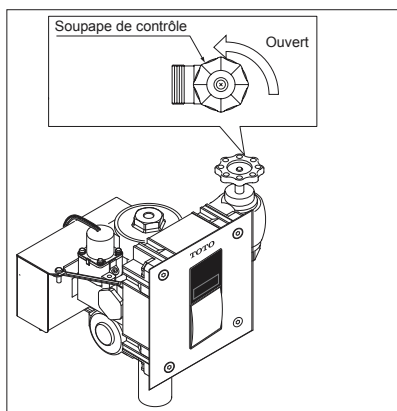
Assurez-vous qu'aucun cordon, câble ou chaîne n'est pris entre le couvercle et la base du cadre.



PROCÉDURE D'INSTALLATION — PETIT COUVERCLE

Les valves de chasse sont pré-réglées pour le volume de chasse tel qu'indiqué sur le carton de la valve. La valve ne nécessite pas de réglage pour la variation de pression d'eau dans sa plage de fonctionnement.

17. Ouvrir la soupape de contrôle complètement.
18. Activer la valve de chasse plusieurs fois.
19. Dans le cas de débit excessif en raison de la pression d'eau, ajustez graduellement la soupape de contrôle dans le sens horaire (vers la position fermée) avec la vis de réglage, jusqu'à ce qu'il y ait un écoulement d'eau approprié dans l'appareil de plomberie.



AVERTISSEMENT :

Le soupape de contrôle ne doit jamais être ouvert jusqu'au point où le débit de la valve de chasse dépasse le volume de l'appareil. Dans le cas d'une panne de la valve, l'eau doit non déborder de l'appareil de plomberie.

ESSAI

Il faudra environ 5 minutes après la connexion de la batterie pour l'électronique pour l'initialiser. Après environ 30 secondes, la LED du capteur se met à déclencher dans des intervalles de 4 secondes jusqu'à ce que l'initialisation soit terminée. Veuillez patienter avant de commencer.

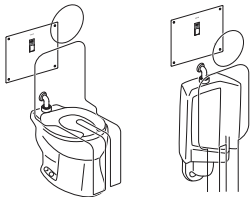
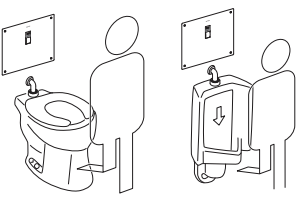
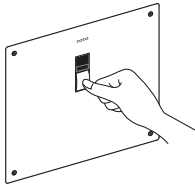
1. **Pour les toilettes:** Assoyez-vous sur le siège de toilette.
Pour l'urinoir: Tenez-vous en dedans de deux pieds de l'extrémité de la valve de chasse.
2. Restez-y pendant 6 secondes ou plus et éloignez-vous ensuite du siège de toilette ou de l'urinoir. La valve se videra automatiquement en 3 secondes pour les toilettes et immédiatement pour l'urinoir.
3. Appuyez sur le bouton de rinçage manuel pendant 2 secondes et assurez-vous que la valve chasse correctement et que le capteur de lumière rouge de la sonde est allumé. Pour corriger le débordement de la valve de chasse d'urinoir, réglez la soupape de contrôle dans le sens des aiguilles d'une montre.
4. Vérifiez à nouveau tous les raccords de tuyaux pour les fuites d'eau. Si la valve de chasse ne fonctionne pas correctement après la série de tests, consultez la section de Dépannage sur la p.54.

APRÈS L'INSTALLATION

Une fois que l'unité de valve de chasse a été installée correctement, veuillez expliquer à votre client comment l'utiliser et dites-lui de respecter ces consignes :

1. Ne pas mettre aucun objet devant la fenêtre du capteur qui pourrait faire obstacle à la sonde, ce qui provoquerait son dysfonctionnement.
2. En cas de problème, consultez la section Dépannage à la p. 54. Si vous n'avez pas les compétences requises ou si vous avez du mal à suivre les consignes d'installation, d'entretien, de réparation, de dépannage ou d'ajustement du produit, ne procédez pas sans l'aide d'une personne qualifiée pour vous aider.

À L'AIDE DE LA VALVE DE CHASSE

Capteur infrarouge	Chasse d'eau	Bouton de chasse manuel
 <p data-bbox="40 730 338 820">Le capteur infrarouge détecte un utilisateur de la toilette ou utilisateur à moins de 600 mm (2 pi) de l'avant de l'urinoir.</p>	 <p data-bbox="345 730 685 862">Quand l'utilisateur reste en place plus de 6 secondes avant de partir, le contrôleur signale à l'unité de commande de déclencher la valve de chasse après un délai de 3 secondes pour toilette ou pas de retard pour urinoir.</p>	 <p data-bbox="696 730 931 803">Utilisez le bouton de chasse manuel d'entretien ou de situation d'urgence.</p>

Chasse d'eau toutes les 24/12 heures

Quand l'appareil de plomberie reste inutilisé pendant 24 heures (12 heures pour TEU1LA et TEU1UA) la minuterie de protection commande au système de rincer afin d'effectuer l'entretien du joint de la trappe.

ENTRETIEN PÉRIODIQUE

Veuillez vérifier la tuyauterie pour voir s'il n'y a aucune fuite au moins une fois par mois selon les instructions suivantes pour éviter tout risque de dommage à la propriété.

ENTRETIEN ET NETTOYAGE

IMPORTANT! Ne pas rayer le capteur ou plaque frontale lors du nettoyage du produit.

- Évitez d'utiliser tout matériel de nettoyage qui pourraient rayer la surface.
- Ne jamais utiliser de poudre de polissage, détergent qui comprend de grosses particules, de diluants, benzène, acides, alcalins ou de brosse à récurer en nylon, comme ceux ci pourrait endommager la surface.
- Pour nettoyer la surface en toute sécurité, essuyez la avec une chiffon doux et humide, imbibé de savon vaisselle dilué et séchez avec un autre chiffon doux. Si cela ne nettoie pas convenablement la surface, essuyez la surface avec un détergent neutre et un chiffon humide.

DÉPANNAGE

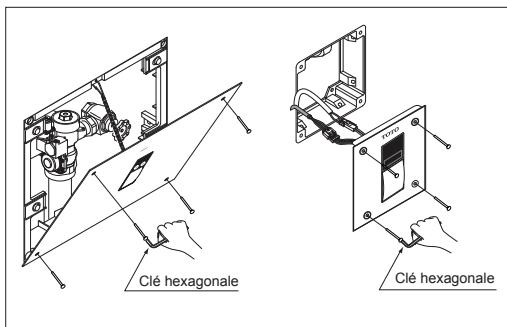
Difficulté	Cause Possible	Suggestion d'Action	Page
Aucune eau ne provient de la valve de chasse	La valve principale dans la canalisation d'eau ou du contrôle d'arrêt est coupée.	Ouvrez la valve principale ou le soupape de contrôle.	-
	Un ou plusieurs câbles non connectés	Vérifiez toutes les connexions de câbles.	-
	La surface du verre devant le capteur infrarouge est sale.	Nettoyez la surface de verre.	-
	Le verre est cassé.	Communiquez avec le distributeur pour le remplacement.	-
	Il y a une surface réfléchissante devant le capteur.	Retirez la surface réfléchissante devant le capteur.	57
	Le capteur infrarouge ou la vanne électromagnétique est hors d'usage.	Communiquez avec le distributeur pour le remplacement.	-
	Les petits trous dans la membrane de la vanne électromagnétique sont bouchés.	Nettoyez le petit trou dans la membrane et le filtre.	56
	Le générateur d'énergie hydroélectrique est bouché.	Faites l'entretien du générateur d'énergie hydroélectrique	55
L'eau n'arrête pas de couler.	Le petit trou dans le piston est bouché. (pas pour TEU*UA(R)(X))	Nettoyez le petit trou dans le piston.	56
	La zone d'étanchéité du piston est sale. (pas pour TEU*UA(R)(X))	Nettoyez la zone d'étanchéité du piston.	55
	La zone d'étanchéité de la membrane de la vanne électromagnétique est sale.	Nettoyez la zone d'étanchéité de la membrane et du filtre.	56
	La garniture en U (u-packing) du piston est endommagée. (pas pour les TEU*UA(R)(X))	Inspecter et remplacer si nécessaire	55
Le volume de décharge est trop petit.	La vis du soupape de contrôle n'est pas correctement réglée.	Ajustez la quantité de décharge par la vis du soupape de contrôle.	56
Le volume de décharge est trop grand.			
Le débit est trop faible.	La pression d'eau est trop faible (below rated minimum pressure)	Consultez un entrepreneur en plomberie.	-
	le soupape de contrôle n'est pas assez ouvert.	Ajustez la quantité de décharge par la vis du soupape de contrôle.	56
Le débit est trop élevé.	Le soupape de contrôle n'est pas correctement réglé.	Ajustez la quantité de décharge par la vis du soupape de contrôle.	56
Une lumière rouge dans la fenêtre du capteur clignote.	La batterie est faible.	Vérifiez le voltage avec un multimètre, si moins de 2,6 V, remplacez par une batterie fournie par TOTO.	56

REMARQUE: Ne démontez pas les pièces de la valve de chasse qui ne sont pas spécifiées dans le guide de dépannage.
Si vous avez besoin d'aide, s'il vous plaît appelez (888) 295-8134.

■ DÉMONTAGE

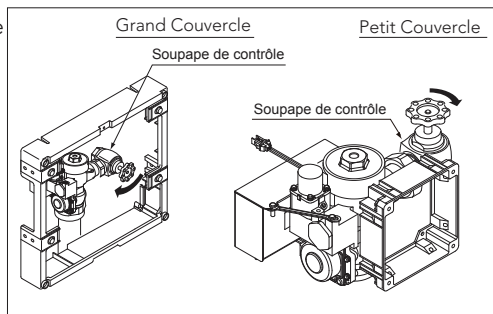
Si la valve entière doit être retirée de l'alimentation en eau pour la réparation, veuillez prendre les précautions suivantes :

1. Veuillez ne pas perdre ou déchirer la rondelle de friction à la connexion de sortie à l'écrou du tube reniflard. Pour maintenir une bonne étanchéité, remplacez la rondelle si nécessaire.
2. Soyez prudent lorsque vous réinstallez la valve à l'alimentation en eau pour éviter de pincer le joint torique.

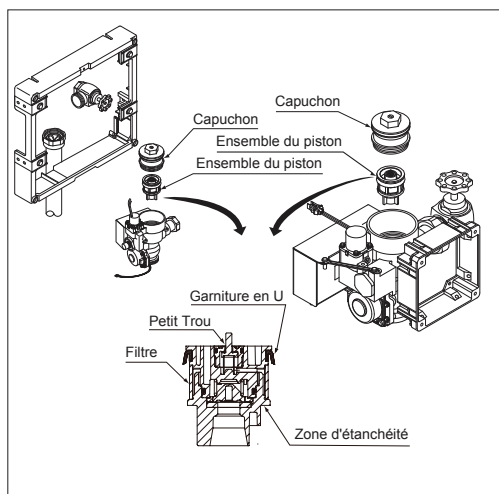


■ NETTOYAGE DE L'ENSEMBLE PISTON

1. Tournez la vis sur le soupape de contrôle dans le sens horaire pour couper l'eau.



2. Retirez l'ensemble piston.
3. Vérifiez le petit trou dans le piston pour voir s'il est bouché par des débris. Insérez un petit fil pour déboucher le trou si nécessaire.
4. Vérifiez le filtre pour voir s'il est bloqué par des débris et brossez-le doucement pour le nettoyer.
5. Vérifiez la zone d'étanchéité du piston et nettoyez-la si elle est sale.
6. Vérifiez la garniture en U (u-packing) pour déceler les fissures ou les dommages.

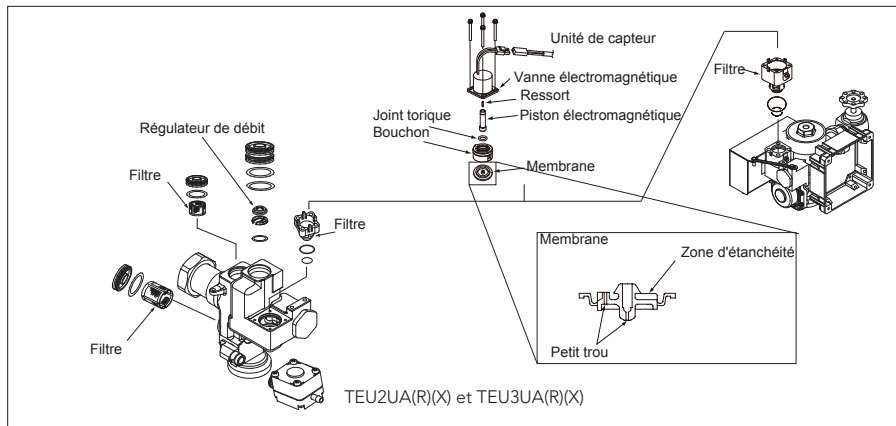


■ NETTOYAGE DU FILTRE ET DE LA MEMBRANE

1. Tournez la vis du soupape de contrôle dans le sens horaire pour couper l'eau.
2. Débranchez la vanne électromagnétique.
3. Déposez la vanne électromagnétique et retirez la membrane.
4. Vérifiez ensuite les petits trous et la zone d'étanchéité.

REMARQUE : Voyez ci-dessous pour le démontage.

REMARQUE : N'étirez pas ou ne modifiez pas la forme du ressort de la vanne électromagnétique d'aucune façon. Cela annulera la garantie.



■ VÉRIFIER LA VANNE ÉLECTROMAGNÉTIQUE

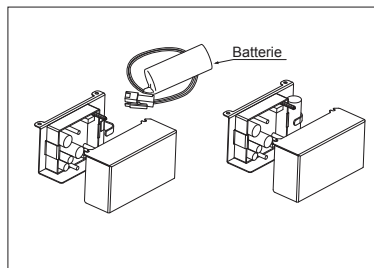
1. Assurez-vous que la pile est correctement placée et que les câbles sont connectés.
2. Avec une alimentation en eau fermée, placez la main devant le détecteur pendant 6 secondes.
3. Retirez-le et écoutez pour entendre un bruit de « clic » au bout de 3 secondes. Ceci indique que le piston électromagnétique a été activé.

■ REMPLACEMENT DE LA PILE

Une pile de secours spéciale au lithium est utilisée. Remplacez seulement avec la batterie fournie par TOTO.

Si une lumière rouge dans la fenêtre du capteur clignote selon un cycle de 4 secondes, il est temps de remplacer la batterie.

1. Retirez la pile usagée.
2. Posez la nouvelle pile à la bonne position.

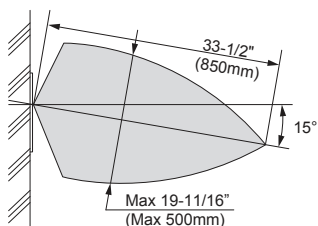


■ RÉGLAGE DU DÉBIT

1. Réglez le débit en tournant sur la commande d'arrêt.
2. Tournez vers la droite pour diminuer la vitesse d'écoulement et tournez vers la gauche pour l'augmenter.

■ LA PLAGE DE DÉTECTION

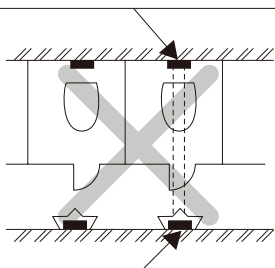
La plage de détection du capteur infrarouge est réglée en usine et n'a pas besoin d'ajustement supplémentaire.



PRÉCAUTION

NE PLACEZ PAS le capteur infrarouge d'une valve de chasse de façon qu'elle soit alignée avec le capteur d'un autre capteur de valve de chasse.

Autre capteur infrarouge

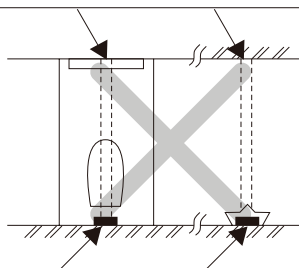


Capteur infrarouge de la valve de chasse

PRÉCAUTION

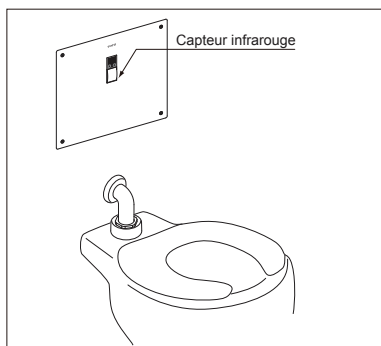
NE PLACEZ PAS le capteur infrarouge d'une valve de chasse de façon qu'elle soit alignée avec le capteur d'un autre capteur de valve de chasse.

Miroir, mur inox ou autre surface très réfléchissante



Capteur infrarouge de la valve de chasse

REMARQUE : La valve peut ne pas détecter un utilisateur si le siège de toilette est laissé en position verticale. Cela peut être due à la dimension brute de plomberie ou l'écartement de la fente avant du siège commercial. Veuillez abaisser le siège ou coordonnez avec un plombier TOTO ou autre pour modifier la hauteur de la valve. Dans certaines conditions, le capteur peut avoir mal à détecter les utilisateurs portant des vêtements noirs.



GARANTIE

1. TOTO garantit que ses chasses électroniques, robinets et distributeurs de savon ("Produit") sont exempts de défauts de matériaux et de fabrication pendant l'utilisation normale lorsqu'il sont correctement installés et entretenus, pendant une durée de trois (3) ans à partir de la date d'achat. Cette garantie limitée est seulement offerte à l'acheteur original du produit et n'est pas transférable à un tiers, y compris tout acheteur ou propriétaire subséquent du produit. Cette garantie s'applique seulement aux produits de TOTO achetés et installés en Amérique du Nord, Centrale et du Sud.
2. Les obligations de TOTO sous cette garantie sont limitées à la réparation, au remplacement ou l'ajustement approprié, à la discrétion de TOTO, du produits ou des pièces défectueuses pendant l'usage normal, pourvu qu'un tel produit soit correctement installé, utilisé et maintenu selon les instructions. TOTO se réserve le droit de conduire toute inspection jugée nécessaire dans l'objectif de déterminer la cause du défaut. TOTO ne facturera pas la main-d'œuvre ou les pièces relatives à des réparations ou remplacements sous garantie. TOTO n'est pas responsable pour le coût de l'extirpation, le retour et /ou la réinstallation du produit.
3. Cette garantie ne s'applique pas aux éléments suivants:
 - a. Dommage ou perte survenus à la suite d'une catastrophe naturelle comme un incendie, un tremblement de terre, une inondation, foudre, ou un orage électrique, etc.
 - b. Dommage ou perte résultant de tout accident, d'une utilisation non raisonnable, mauvaise, abusive, négligente ou de soins inappropriés, du nettoyage ou de la maintenance du produit.
 - c. Dommage ou perte résultant des sédiments ou toute matière étrangère contenue dans le système d'eau.
 - d. Dommage ou perte résultant de l'installation inappropriée ou de l'installation du produit dans un environnement rude ou dangereux, ou le retrait inapproprié, la réparation ou modification du produit.
 - e. Dommage ou perte résultant de surtensions électrique ou de la foudre ou d'autre actes qui ne constituent pas la faute de TOTO ou que le produit n'est pas conçu pour tolérer.
 - f. Dommage ou perte résultant de l'usure normal et habituelle, tels que la réduction du lustre, le grattage ou la décoloration au fil du temps due à l'usure, les pratiques de nettoyage ou l'eau or les conditions atmosphériques, inclus et non limités à, l'utilisation de l'eau de blanchissant, alcanes, nettoyeurs acides, nettoyeurs sec (poudre) ou tout autre nettoyeurs abrasifs ou l'utilisation de métal ou de brosse en nylon.
4. Pour que cette garantie limitée soit valide, une preuve d'achat est nécessaire. TOTO vous encourage à enregistrer la garantie à l'achat pour créer une trace de la propriété du produit à <http://www.totousa.com>. L'enregistrement du produit est complètement volontaire et le défaut d'enregistrement ne diminuera en rien vos droits de garantie limitée.
5. CETTE GARANTIE VOUS DONNE DES DROITS LEGAUX SPECIFIQUE. VOUS POUVEZ AVOIR DES DROITS QUI POURRAIT VARIER D'UN ETAT A L'AUTRE, D'UNE PROVINCE A L'AUTRE OU D'UN PAYS A L'AUTRE.
6. Pour obtenir une réparation sous le service de garantie, vous devez emmener le produit ou le faire livrer prépayé à un centre de service TOTO avec une preuve d'achat (reçu original d'achat) et une lettre expliquant le problème, ou contactez un distributeur de TOTO ou un contracteur de service pour les produits, ou écrivez directement à TOTO U.S.A., INC., 1155 Southern Road, Morrow, GA 30260 (888) 295 8134 or (678) 466-1300. Si vous êtes en dehors des États Unis d'Amérique, Si le produit ne peut être retourné du à sa taille ou la nature des dégâts, la réception par TOTO d'un avis écrit du défaut, avec preuve d'achat (reçu original de caisse) constitue livraison. Dans un tel cas, TOTO pourrait choisir de réparer le produit à l'emplacement de l'acheteur ou payer pour le transport du produit à un centre de service.

CETTE GARANTIE ECRITE CONSTITUE LA SEULE GARANTIE OFFERTE PAR TOTO. TOUTE REPARATION, REMPLACEMENT OU TOUT AUTRE AJUSTEMENT NECESSAIRE COUVERT PAR CETTE GARANTIE SERA LA SOLUTION EXCLUSIVE DISPONIBLE A L'ACHETEUR ORIGINAL. TOTO N'EST POINT RESPONSABLE POUR LA PERTE DU PRODUIT OU POUR TOUT AUTRE DEGATS ACCIDENTELS, PARTICULIERS OU IMPORTANTS, OU TOUTES AUTRES DEPENSES NON MENTIONNEES CLAIREMENT AU DESSUS. EN AUCUNE CIRCONSTANCE LA RESPONSABILITE DE TOTO SERA SUPERIEUR AU PRIX D'ACHAT DU PRODUIT. SAUF DANS LES CAS OU LA LOI EN VIGUEUR INTERDIT CELA, TOUTE GARANTIE IMPLICITE, Y COMPRIS CELLE DE LA QUALITE MARCHANDE OU DE REMISE EN FORME POUR L'USAGE OU POUR UNE RAISON PARTICULIERE, SONT EXPRESSEMENT EXCLUES. CERTAINS ETATS N'AUTORISENT PAS DE LIMITATIONS SUR LA DUREE DE LA GARANTIE IMPLICITE, OU L'EXCLUSION OU LA LIMITATION DES DOMMAGES INDIRECTS OU SECONDAIRES, AINSI, IL EST DONC POSSIBLE QUE CETTE LIMITATION ET EXCLUSION NE S'APPLIQUENT PAS A VOUS.

ÍNDICE

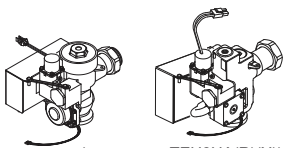


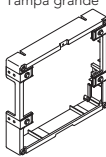







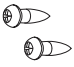
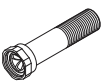



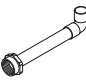

Obrigado por escolher a TOTO!.....	59
Peças incluídas.....	59
Ferramentas comuns necessários.....	60
Inicializando o produto Self Power.....	60
Características.....	60
Especificações.....	61
Informação técnica.....	62
Avisos.....	63
Antes da instalação.....	63
Procedimento de instalação.....	64
Execução de teste.....	71
Nota de instalação.....	72
Usando o fluxômetro.....	72
Manutenção periódica.....	72
Cuidados e limpeza.....	72
Resolução de problemas.....	73
Garantia.....	77
Dimensões aproximadas.....	78
Especificações da Água Reclamada.....	81

OBRIGADO POR ESCOLHER A TOTO!

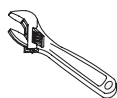
A missão da TOTO é proporcionar ao mundo um estilo de vida saudável, higiênico e mais confortável. Como princípio norteador, projetamos cada produto com equilíbrio entre forma e função. Parabéns pela sua escolha.

PEÇAS INCLuíDAS

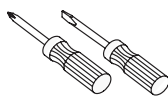
Certifique-se de que você tem todas as peças do pacote:

 <p>(apenas um TEU2UA(R)(X)) (apenas um TEU3UA(R)(X))</p> <p>Unidade do corpo da fluxômetro</p>		<p>Tampa grande</p> 	<p>Tampa pequena</p> 	<p>Tampa grande</p> 	<p>Tampa pequena</p> 
		<p>Tampa frontal</p>		<p>Estrutura de base</p>	
<p>Manual de Instalação e do Proprietário</p> 	<p>Etiqueta</p> 	<p>Cabo de conexão</p> 	<p>Parafusos antivandalismo</p> 	<p>Arruelas</p> 	<p>Chave hexagonal</p> 
<p>Apenas um Pequeno Tampa</p>  <p>Parafusos</p>	 <p>Tubo de quebrador de vácuo</p>	<p>TET3GA32 TET3LA(X)32 TET3UA(X)32 TET2GA32 TET2LA(X)32 TET2UA(X)32 TEU3LA(X)12 TEU3UA(X)12 TEU2LA(X)12 TEU2UA(X)12</p> 	<p>TET3GA33 TET3LA(X)33 TET3UA(X)33 TET2GA33 TET2LA(X)33 TET2UA(X)33</p> 	<p>TET3GA31 TET3LA(X)31 TET3UA(X)31 TET2GA31 TET2LA(X)31 TET2UA(X)31</p> 	<p>TEU3LA(X)11 TEU3UA(X)11 TEU2LA(X)12 TEU2UA(X)11 TEU3LA(X)12 TEU2LA(X)11</p> 
<p>Válvula de ponto</p> 	<p>Tubulação</p>				

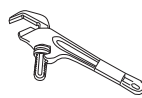
FERRAMENTAS COMUNS NECESSÁRIOS



Chave de boca ajustável



Chaves de fenda (Phillips and Fenda)



Chave para tubos

INICIALIZANDO O PRODUTO SELF POWER

Obrigado por escolher a inovação mais recente em produtos EcoPower de baixo consumo de energia. Observe abaixo a duração do tempo necessário para inicializar a eletrônica.

Levará aproximadamente 5 minutos depois de conectar a bateria para a eletrônica para inicializar. Esse atraso é uma parte normal da inicialização. Após aproximadamente 30 segundos, o LED do sensor começará a disparar em intervalos de 4 segundos até a inicialização estar completa.

CARACTERÍSTICAS

Totalmente automática e higiênica

A fluxômetro Self Power usa um sensor infravermelho para detectar quando alguém usa a louça e dá a descarga automaticamente após um curto intervalo depois da saída do usuário. Não é necessário tocar no produto, melhorando a experiência de uso e a higiene do produto e do usuário.

Temporizador de proteção do sistema

Quando o bacia sanitária não for usado por 24 horas (12 horas para mictório), o temporizador de proteção controla o sistema para dar a descarga para preservar o sifão.

Botão de acionamento manual

A fluxômetro Self Power tem um botão de descarga manual para manutenção e uso de emergência.

Recursos Ecológicos

Economia de energia

Cada descarga ativa um gerador hidrelétrico que gera energia elétrica para a próxima descarga. (Informe-se *Sobre o Gerador Hidrelétrico da TOTO*, p. 62)

Economia de água

Dois funções ajudam a fluxômetro Self Power a economizar água:

Controle por Lógica Difusa





A fluxômetro Self Power analisa a frequência e a duração com que a bacia sanitária foi usada para fornecer a quantidade correta de água. (Informe-se *Sobre o Controle por Lógica Difusa*, p. 62)

Mecanismo anti-descarga dupla

A fluxômetro Self Power oferece prevenção contra descargas duplas para economizar água. Depois de acionada, a fluxômetro não dará descarga novamente por 10 segundos para mictório e 30 segundos para bacias sanitárias.

As fluxômetros Self Power TOTO são projetadas para durar por 10 anos, sob condições normais, sem uso mínimo exigido.

ESPECIFICAÇÕES

		Bacia Sanitária			Mictório	
Figura	Tampa Grande					
	Tampa Pequena					
Número modelo	Tampa Grande	TET2GAR	TET2LA(R)(X)	TET2UA(R)(X)	TEU2LA(R)(X)	TEU2UA(R)(X)
	Tampa Pequena	TET3GAR	TET3LA(R)(X)	TET3UA(R)(X)	TEU3LA(R)(X)	TEU3UA(R)(X)
Volume de descarga		1.6 G (6L)	1.28 G (4.8L)	1.0 G (3.8L)	0.5 G (1.9L)	0.125 G (0.47L)
Tipo		Bacia sanitária de fluxômetro			Mictório de limpeza por arraste	
Entrada de válvula de ponto		1" NPT			3/4" NPT	
Conexão de entrada da válvula		1-1/4" NPSM				
Conexão de saída da válvula		1-1/2" NPSM				
Pressão de Fornecimento de Água	Min (Fluxo)	35 psi (241kPa)			15 psi (103kPa)	
	Max (Estático)	125 psi (862kPa)				
Pressão de fechamento		7 psi (48kPa)				
Dimensão da tampa	Tampa Grande	12-5/8" (H) × 14-3/16" (W) (320mm(H) × 360mm(W))				
	Tampa Pequena	4-23/32" (H) × 4-23/32" (W) (120mm(H) × 120mm(W))				
Faixa de detecção a partir da frente		Dentro de 33-1/2" (850mm)				
Tempo para a detecção		6 s				
Temporizador de proteção do sistema		Descarga automática após 24 horas de uso não			Descarga automática após 12 horas de uso não	
Temperatura de ambiente		32-104°F (0-40°C)				
Temperatura da água		34-104°F (1-40°C)				

OBSERVAÇÃO:

Consulte o fabricante para a exigência pressão mínima de seu bacia sanitária ou mictório.

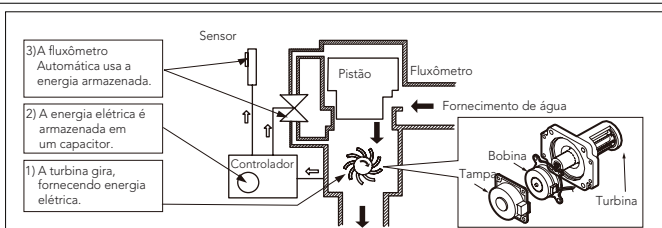
* A pressão da água mais de 80 psi não é recomendado.

INFORMAÇÃO TÉCNICA

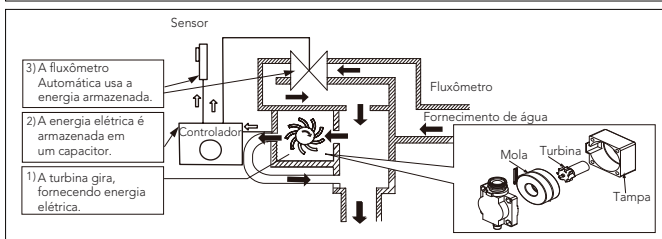
Sobre o Gerador Hidrelétrico

O fluxo de água movimentada a turbina no gerador de energia. Este processo gera energia elétrica, que permite a operação automática da fluxômetro. Veja ilustr. 1 abaixo.

TET2LA(R)(X)
TET2GAR
TET2UA(R)(X)
TET3LA(R)(X)
TET3GAR
TET3UA(R)(X)
TEU2LA(R)(X)
TEU3LA(R)(X)



TEU2UA(R)(X)
TEU3UA(R)(X)



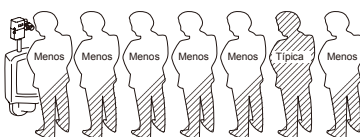
ill. 1 Gerador Hidrelétrico

Sobre o Controle por Lógica Difusa (TEU1GAR only)

A função de Controle por Lógica Difusa ajusta automaticamente a o volume de descarga conforme a frequência e a duração do uso (veja ilustr. 2 e ilustr. 3).

O sistema de Controle por Lógica Difusa analisa a frequência de uso pelo tempo ocioso do bacia sanitária e faz com que a fluxômetro descarregue a água no padrão ideal.

Uso Frequente



Para tempos ociosos curtos, o sistema supõe uso frequente do mictório e a fluxômetro descarrega um volume menor de água. Exemplos de uso frequente seriam durante pausa para almoço ou um intervalo no cinema.

Uso Não Frequente



Para tempos ociosos mais longos, o sistema supõe uso não frequente, fazendo com que a fluxômetro descarregue um volume normal de água durante a descarga. Exemplos de uso não frequente seriam o horário após o expediente em um escritório ou um dia de pouca movimentação em um parque.

ill. 2 Frequência de Uso

O sistema de Controle por Lógica Difusa prevê o volume de água necessário para a descarga com base na duração do uso por alguém.

Duração de Uso Longa



Uma duração de uso longa indica que pode haver mais dejetos para limpar, exigindo que a fluxômetro descarregue o volume normal de água.

Duração de Uso Curta



Uma duração de uso curta indica que pode haver menos dejetos para limpar e a fluxômetro liberará menos água.

ill. 3 Duração do Uso

AVISOS

Leia e siga estas instruções. A falha pode resultar em ferimentos pessoais ou em danos ao imóvel. Nunca derrame água sobre o controlador. A fluxômetro Self Power é um aparelho elétrico.

- Nunca derrame água sobre o controlador. A fluxômetro Self Power é um aparelho elétrico. Risco de defeito no produto.
- Não golpeie ou chute a fluxômetro Self Power. Risco de defeito no produto ou de vazamento de água. Risco de defeito no produto.
- Não utilize a fluxômetro Self Power em temperaturas que excedam o que as regulamentações locais ou a especificação do produto permitem. Risco de defeito no produto.
- Não coloque um produto em uma sala com umidade alta como salas com chuveiros e saunas. Risco de defeito no produto.
- Nunca tente desmontar, montar, reparar ou modificar a fluxômetro Self Power a menos que você seja profissional. Risco de defeito do produto e de choque elétrico.
- Não use o limitador de vácuo padrão nem o botão de controle com a válvula de descarga de águas recicladas.
- Não use produtos à base de petróleo nem selantes de tubulação, isso pode danificar o produto e causar danos pela água.

ANTES DA INSTALAÇÃO

Importante: A sistema de abastecimento de água deve estar em conformidade com os códigos e as regulamentações aplicáveis. O sistemas de distribuição de água deve ser dimensionado para fornecer um volume adequado de água para cada louça. A água e o sistema devem estar limpos antes do início da operação.

- Os fluxômetros de vazão e urinário não são intercambiáveis, verifique o número do modelo no rótulo para se certificar de que ele possui o tipo correto. Os números de modelo do fluxômetro do banheiro começam com 'TET' e os modelos do medidor de fluxo urinário começam com 'TEU'.
- Antes de instalar sua fluxômetro, instale os itens abaixo:
 - Bacia sanitária/mictório
 - Tubulação do sistema de esgoto sanitário
 - Tubulação de abastecimento de água fria
- A tubulação de abastecimento de água fria destes dispositivos deve estar fixada com segurança para evitar que o dispositivo se movimente durante o uso. Tenha cuidado ao instalar o dispositivo para evitar riscar a superfície exposta. **Importante:** Purgar todo o ar das linhas de alimentação antes de conectar a válvula de descarga à tigela. O ar preso nas linhas de abastecimento pode quebrar a china.
- Tenha cuidado para não danificar a superfície do sensor infravermelho.
- **Para a fluxômetro para Bacia Sanitária:**
A fluxômetro pode não funcionar se o assento e/ou a tampa da bacia sanitária estiverem levantados, já eles podem bloquear o sensor.
- **Para a fluxômetro para Mictório:**
A fluxômetro para mictório foi projetada para apresentar desempenho ideal quando utilizada com mictórios de arraste, porém ela pode ser utilizada com mictórios com jato no poço.
- **Para válvulas de descarga de águas recicladas:**
Use somente o batente do ângulo e o limitador de vácuo para águas recicladas.
- Não é recomendado a utilização com mictórios a vácuo.
- Confira a faixa de detecção do sensor infravermelho na página 76.
- Para evitar defeitos na válvula, não instale barras de apoio ou qualquer outro objeto na faixa de detecção do sensor. Não instale a fluxômetro onde o sensor esteja de frente a um espelho, parede de aço inoxidável ou outra superfície altamente reflexiva ou, ainda, outro sensor infravermelho.

PROCEDIMENTO DE INSTALAÇÃO — TAMPA GRANDE

1. Determine o local da instalação da tubulação de abastecimento de água à posição do bacia sanitária.
2. Se necessário, passe um adaptador de solda de rosca pela tubulação de fornecimento de água.
3. Fixe o válvula de ponto à tubulação.
4. Fure um orifício de orientação para a tubulação de descarga na parede.

OBSERVAÇÃO:

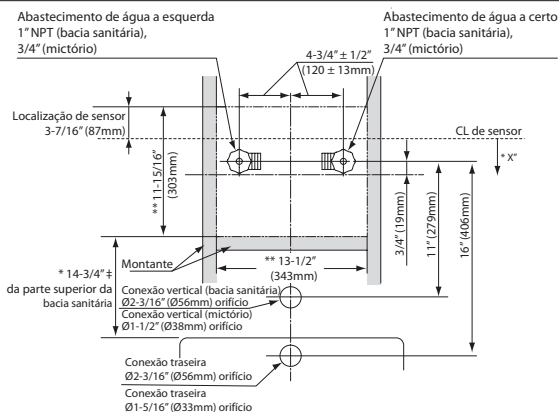
Fixe a válvula de ponto antes da instalação estrutura de base. Compostos de vedação de rosca devem ser usados apenas em roscas NPT macho.

OBSERVAÇÃO:

para águas recicladas, não use o limitador de vácuo padrão nem o botão de controle.

OBSERVAÇÃO:

não use produtos à base de petróleo nem selantes de tubulação.



* X", ± = É necessário ao menos um espaço de 12,7 centímetros (5") entre o sensor e a ponta do assento do bacia sanitária levantado ou a ponta da barra de apoio, para evitar falsa detecção. Para instalação do bacia sanitária.

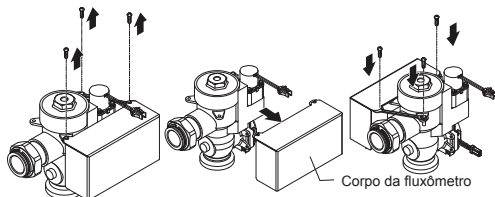
** Abertura na parede



Para uso com o ponto de água a esquerda, fixe a tampa superior do sensor na direção oposta para que o sensor esteja na frente.



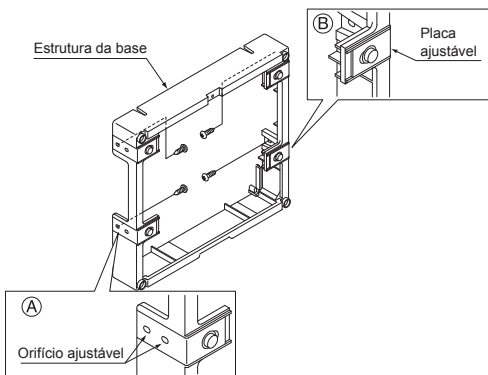
Proteja as conexões de fio na caixa do controlador.



Solte

Recoloque

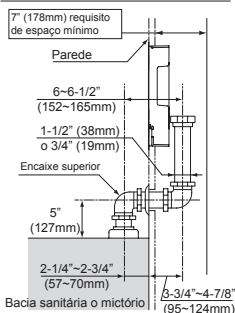
5. Prenda a estrutura da base aos fixadores com quatro parafusos (preparados no local) depois de ajustá-la. (A)
6. Fixe a estrutura da base com quatro parafusos na placa ajustável. (B)



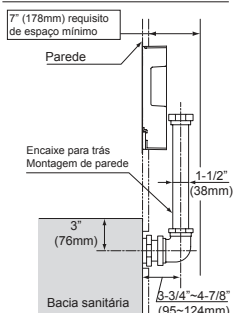
PROCEDIMENTO DE INSTALAÇÃO — TAMPA GRANDE

7. Passe a tubulação de descarga e o limitador de pressão pelo orifício de orientação e monte-os sobre o bacia sanitária.
8. Se necessário, corte o tubo de quebrador de vácuo no comprimento adequado.

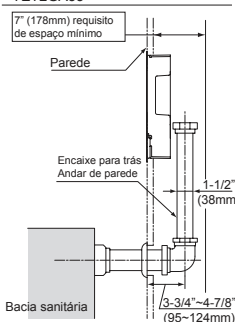
TET2LA(X)32, TET2GA32, TET2UA(X)32
TEU2LA(X)12, TEU2UA(X)12



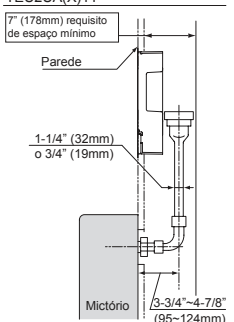
TET2LA(X)31, TET2UA(X)31
TET2GA31



TET2LA(X)33, TET2UA(X)33
TET2GA33



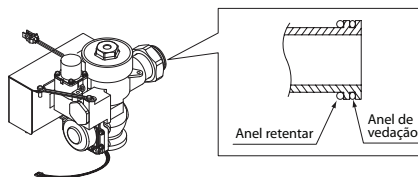
TEU2LA(X)11, TEU2LA(X)21
TEU2UA(X)11



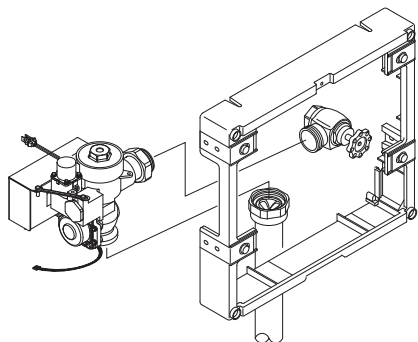
9. Garanta que o anel de vedação encaixe-se na ranhura ao final do arremate da fluxômetro.

OBSERVAÇÃO:

Tenha cuidado para não danificar o anel de vedação ao inserir o arremate na válvula de ponto. Se a lubrificação for necessária, umedeça o anel de vedação com água.

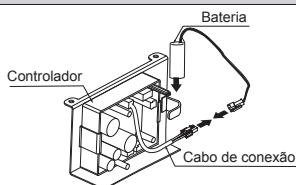


10. Conecte a fluxômetro com o válvula de ponto e o tubo de quebrador de vácuo.



PROCEDIMENTO DE INSTALAÇÃO — TAMPA GRANDE

11. Conecte o cabo da bateria com o controlador e coloque a bateria no lugar.



12. Conecte os cabos do sensor infravermelho e do controlador ao cabo de conexão.
13. Conecte os cabos do botão manual e do controlador ao cabo de conexão.

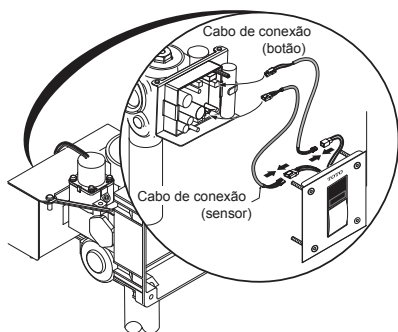
OBSERVAÇÃO:

Se tardará 5 minutos depois de conectar a bateria para a eletrônica se inicialize. Após de aproximadamente 30 segundos, o LED do sensor parpalará em intervalos de 4 segundos até que finalice a inicialização.

14. Antes de ligar a água, assegure-se de eliminar todos os vazamentos de água ao apertar todas as conexões da tubulação.

OBSERVAÇÃO:

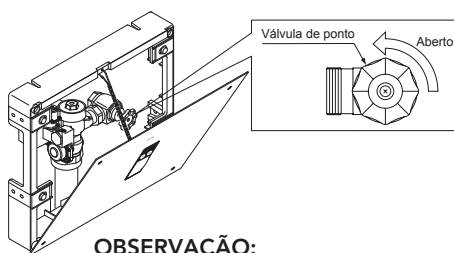
Se, por algum motivo, for necessário remover o botão de controle, assegure-se de que a água seja cortada na fluxômetro principal de fornecimento.



As fluxômetros são pré-ajustadas para o volume do bacia sanitária, conforme marcado na embalagem da fluxômetro. A fluxômetro não exige ajuste para variação na pressão da água dentro de sua faixa operacional.

15. Para definir a operação apropriada da fluxômetro, abra completamente a válvula de ponto e ative a fluxômetro várias vezes.

16. No caso de taxa de fluxo excessiva, devido à alta pressão da água, ajuste gradualmente o válvula de ponto no sentido horário (na direção da posição fechada) usando o parafuso de ajuste, até que haja fluxo adequado de água ao bacia sanitária.

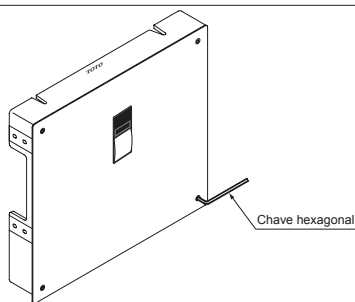


OBSERVAÇÃO:

O válvula de ponto nunca deve ser aberto até o ponto em que o fluxo da fluxômetro exceda a capacidade do fluxo do bacia sanitária. No caso de falha da fluxômetro, a água deve transbordar pelo bacia sanitária.

17. Aperte os parafusos da tampa frontal firmemente na estrutura de base, com a chave hexagonal.

Assegure-se de que nenhum cabo, fio ou corrente fique preso entre a tampa frontal e a estrutura de base.

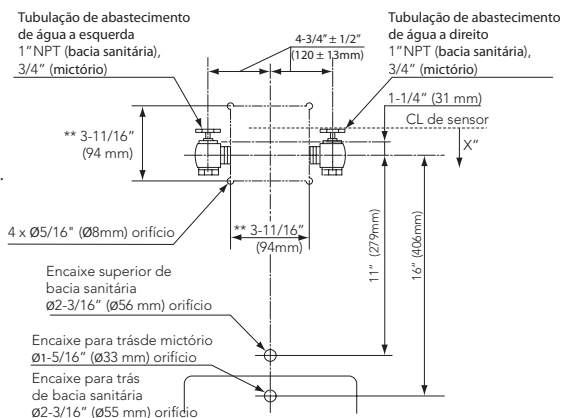


PROCEDIMENTO DE INSTALAÇÃO — TAMPA PEQUENA

1. Determine o local da instalação da tubulação de abastecimento de água à posição do bacia sanitária.
2. Se necessário, passe um adaptador de solda de rosca pela tubulação de fornecimento de água.
3. Fixe o válvula de ponto à tubulação.
4. Fure um orifício de orientação para a tubulação de descarga na parede.

OBSERVAÇÃO:

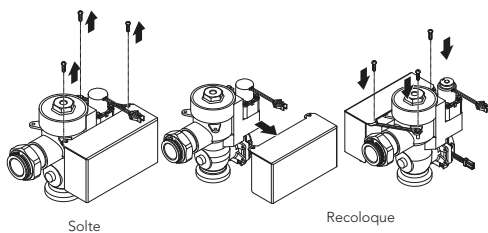
Compostos de vedação de rosca devem ser usados apenas em roscas NPT macho.



* X", ± = É necessário ao menos um espaço de 12,7 centímetros (5") entre o sensor e a ponta do assento do bacia sanitária levantado ou a ponta da barra de apoio, para evitar falsa detecção.
Para instalação do bacia sanitária.
** Abertura na parede

Para uso com encanamento aberto de água, fixe a tampa superior do sensor na direção oposta para que o sensor esteja na frente.

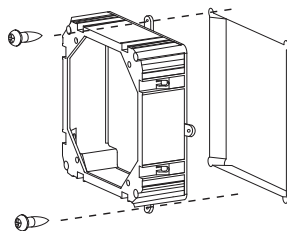
Proteja as conexões de fio na caixa do controlador.



5. Prenda a estrutura de base à parede, com dois parafusos. A página seguinte oferece outras opções de instalação da estrutura de base.

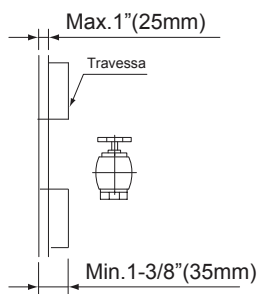
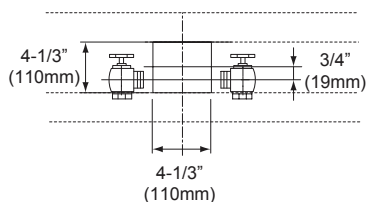
OBSERVAÇÃO:

A espessura da parede deve ser de 13 mm (1/2"), pelo menos, e no máximo de 35 mm (1-3/8"). Se a espessura de sua parede for inferior a 13 mm (1/2"), fixe uma estrutura de madeira atrás da parede.



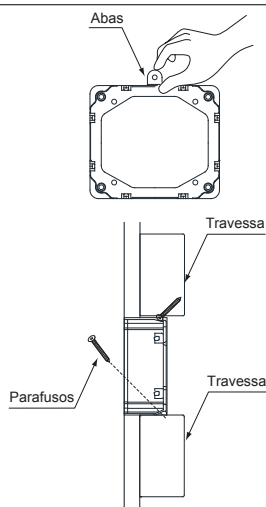
PROCEDIMENTO DE INSTALAÇÃO — TAMPA PEQUENA

Outras opções de instalação de quadros de base



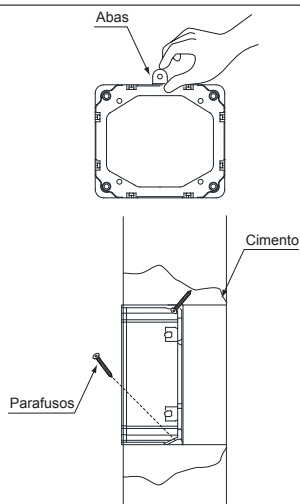
Option 5A (com estrutura)

1. Remova todas as abas ao lado da estrutura de base.
2. Prenda a estrutura de base à viga de suporte com 4 parafusos (preparado no local).



Option 5B (para parede)

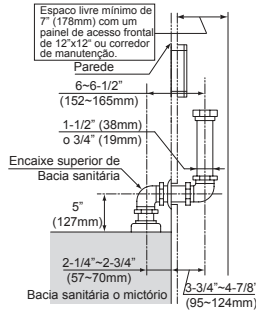
1. Abra espaço para a cobertura, na parede.
2. Remova todas as abas ao lado da estrutura de base.
3. Fixe a estrutura de base no local, com cimento.
4. Prenda a estrutura de base com 4 parafusos (preparado no local), se necessário.



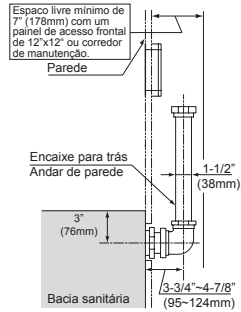
PROCEDIMENTO DE INSTALAÇÃO — TAMPA PEQUENA

6. Passe a tubulação de descarga e o limitador de pressão pelo orifício orientação e monte-os sobre o bacia sanitária.
7. Se necessário, corte o tubo de quebrador de vácuuo no comprimento adequado.

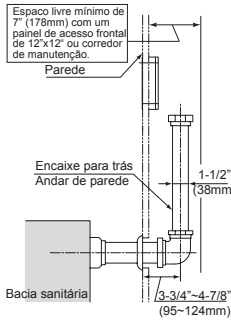
TET3LA(X)32, TET3GA32, TET3UA(X)32
TEU3LA(X)12, TEU3UA(X)12



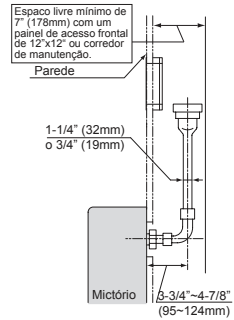
TET3LA(X)31, TET3UA(X)31
TET3GA31



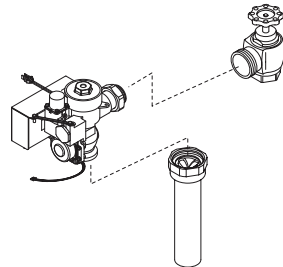
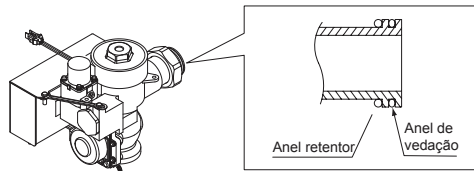
TET3LA(X)33, TET3UA(X)33
TET3GA33



TEU3LA(X)11, TEU3LA(X)21
TEU3UA(X)11

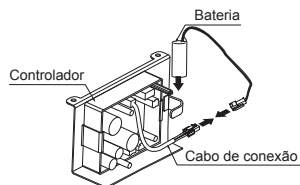


8. Garanta que o anel de vedação encaixe-se naranhura ao final do arremate da fluxômetro.
9. Tenha cuidado para não danificar o anel de vedação ao inserir o arremate no o botão de controle. Se a lubrificação for necessária, umedeça o anel de vedação com água.
10. Conecte a fluxômetro com o válvula de ponto e o tubo de quebrador de vácuo.
11. Aperte a porca de acoplamento com uma chave o suficiente para evitar vazamentos de água.

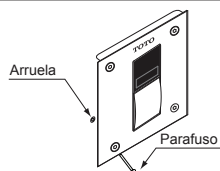


PROCEDIMENTO DE INSTALAÇÃO — TAMPA PEQUENA

12. Conecte o cabo da bateria com o controlador e coloque a bateria no lugar.



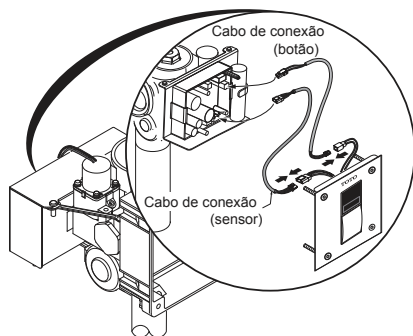
13. Prenda a tampa frontal à parede, usando arruelas entre a cobertura e a parede e os parafusos antivandalismo.



14. Conecte os cabos do sensor infravermelho e do controlador ao cabo de conexão.
15. Conecte os cabos do botão manual e do controlador ao cabo de conexão.

OBSERVAÇÃO:

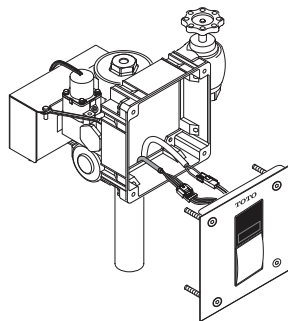
Se tardará 5 minutos depois de conectar a bateria para a eletrônica se inicialize. Após de aproximadamente 30 segundos, o LED do sensor parpadeará em intervalos de 4 segundos até que finalice a inicialização.



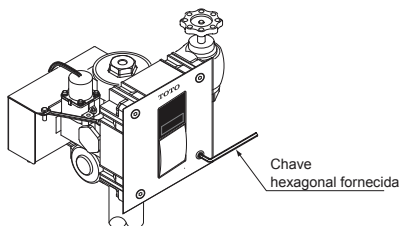
16. Antes de ligar a água, assegure-se de eliminar todos os vazamentos de água ao apertar todas as conexões da tubulação.

OBSERVAÇÃO:

Se, por algum motivo, for necessário remover o válvula de ponto, assegure-se de que a água seja cortada na fluxômetro principal de fornecimento.



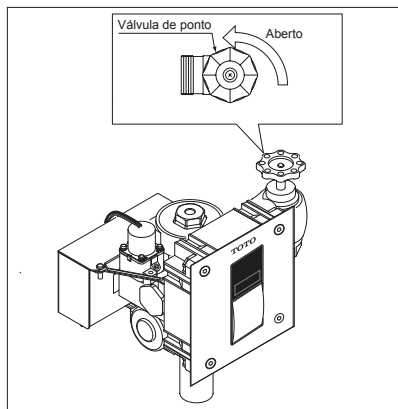
17. Prenda a tampa frontal para o estrutura da base apertando os parafusos com a chave hexagonal fornecida
18. Assegure-se de que nenhum cabo, fio ou corrente fique preso entre a tampa frontal e a estrutura de base.



PROCEDIMENTO DE INSTALAÇÃO — TAMPA PEQUENA

As fluxômetros são pré-ajustadas para o volume do bacia sanitária, conforme marcado na embalagem da fluxômetro. A fluxômetro não exige ajuste para variação na pressão da água dentro de sua faixa operacional.

19. Para ajustar a fluxômetro para operação apropriada, use o parafuso de ajuste para abrir completamente a válvula de ponto.
20. Acione a fluxômetro várias vezes.
21. No caso de taxa de fluxo excessiva, ajuste gradualmente o válvula de ponto no sentido horário na direção da posição fechada usando o parafuso de ajuste, até que haja fluxo adequado de água ao bacia sanitária.



AVISO: O válvula de ponto nunca deve ser aberto até o ponto em que o fluxo da fluxômetro a capacidade do fluxo da louça. No caso de falha da válvula, a água no deve transbordar pelo louça.

EXECUÇÃO DE TESTE

Se tardará 5 minutos depois de conectar a bateria para a eletrônica se inicialice. Após de aproximadamente 30 segundos, o LED do sensor piscará em intervalos de 4 segundos até que finalice a inicialização. Aguarde antes de começar.

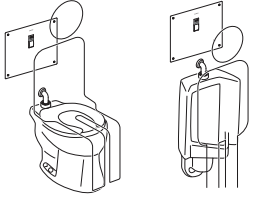
1. **Para o bacia sanitária sanitário:** Sente no assento do bacia sanitária.
Para o mictório: Fique a 61 centímetros diante da fluxômetro.
2. Permaneça nesta posição por 6 segundos ou mais e depois levante-se do assento ou afaste-se do mictório. A válvula dará descarga automaticamente em 3 segundos para o banheiro e imediatamente para o mictório.
3. Pressione o botão de descarga manual por 2 segundos e assegure-se de que a descarga ocorra apropriadamente e que a luz vermelha do sensor acende. Para corrigir o excesso da válvula de descarga de mictório, ajuste o controle no sentido horário.
4. Verifique novamente todas as conexões da tubulação para ver se não há vazamentos. Se a fluxômetro não estiver operando apropriadamente após os testes consulte a seção de Resolução de Problemas p. 73.

NOTA DE INSTALAÇÃO

Após instalar a unidade do fluxômetro corretamente, explique ao seu cliente como usá-la e peça que observe estas instruções:

1. Não coloque nenhum objeto que possa obstruir a janela do sensor, causando problemas em seu funcionamento.
2. Em caso de problemas, consulte a seção de Resolução de Problemas, na página 73. Se você não tiver as habilidades necessárias ou se tiver dificuldade em seguir as instruções para instalação, manutenção, reparos, resolução de problemas ou ajustes do produto, não prossiga sem ajuda de uma pessoa qualificada.

USANDO O FLUXÔMETRO

Sensor Infravermelho	Descarga	Botão de Descarga Manual
 <p>O sensor infravermelho detecta um usuário do bacia sanitária.</p> <p>O sensor infravermelho detecta um usuário posicionado a 600 mm (2 pés) na frente do mictório.</p>	 <p>Quando o usuário permanecer por mais de 6 segundos na posição, o controlador sinalizará à unidade operadora para acionar a fluxômetro após um retardo de 3 segundos.</p>	 <p>Use o botão de descarga manual para manutenção ou emergências.</p>

Dar descarga a cada 24/12 horas

Quando a bacia não for usada por 24 horas (12 horas para mictório), o temporizador de proteção controla o sistema para dar a descarga para preservar o selo hídrico.

MANUTENÇÃO PERIÓDICA

Verifique a tubulação para ver se há vazamento ao menos uma vez, conforme estas instruções para evitar riscos de danos ao imóvel.

CUIDADOS E LIMPEZA

IMPORTANTE! Não risque o sensor ou tampa frontal durante a limpeza da fluxômetro.

- Evite o uso de quaisquer materiais de limpeza que possam riscar ou danificar a superfície da torneira.
- Nunca use pó de polimento, detergentes que possuem partículas sólidas, solventes, derivados de benzeno, substâncias ácidas ou alcalinas, buchas de nylon e quaisquer outros materiais que possam danificar a superfície da bica e do sensor.
- Para limpar a superfície, utilize um pano macio umedecido com água e detergente neutro diluído. Seque a superfície com um pano macio seco. Caso isso não limpe a superfície de maneira adequada, utilize um pano macio molhado com detergente neutro.

RESOLUÇÃO DE PROBLEMAS

Problema	Causa possível	Ação sugestão	Página
A água não sai da fluxômetro	A válvula principal no encanamento de fornecimento de água ou o botão de controle estão fechados	Abra a válvula principal ou o botão de controle	-
	Um ou mais cabos estão desconectados	Verifique todas as conexões do cabo	-
	A superfície da janela diante do sensor infravermelho está suja	Limpe a superfície do vidro	-
	O vidro está quebrado	Entre em contato com o distribuidor para substituição	-
	Há uma superfície reflexiva diante do sensor	Remova a superfície reflexiva diante do sensor	76
	O sensor infravermelho ou a solenoide está fora de sequência	Entre em contato com o distribuidor para substituição	-
	Os pequenos orifícios no diafragma da solenoide estão obstruídos	Limpe o orifício pequeno no diafragma e o filtro	75
	O gerador hidrelétrico está obstruído	Gerador hidrelétrico de serviço	74
A água não para de correr	O pequeno orifício no pistão está obstruído (não para TEU*UA(R)(X))	Limpe o pequeno orifício no pistão	75
	A área de vedação do pistão está suja (não para TEU*UA(R)(X))	Limpe a área de vedação do pistão	74
	A área de vedação do diafragma do solenoide está suja	Limpe a área de vedação do diafragma e o filtro	75
	A embalagem em u do pistão está danificada. (não para TEU*UA(R)(X))	Inspeccione e substitua, se necessário.	74
O volume de descarga é muito pequeno	O parafuso do botão de controle não está ajustado apropriadamente	Ajuste a quantidade da descarga pelo parafuso do botão de controle	75
O volume de descarga é muito alto			
A taxa de fluxo é muito baixa	A pressão do fornecimento de água é muito baixa	Consulte um encanador	-
	O botão de controle não está aberto o suficiente	Ajuste o botão de controle apropriadamente.	75
A taxa de fluxo é muito alto	O botão de controle não está aberto o suficiente	Ajuste o botão de controle apropriadamente.	75
Uma luz vermelha na janela do sensor pisca	A bateria está fraca.	Use o multímetro para verificar a tensão, se for inferior a 2.6V, contato TOTO para a bateria de reposição.	75

OBSERVAÇÃO:

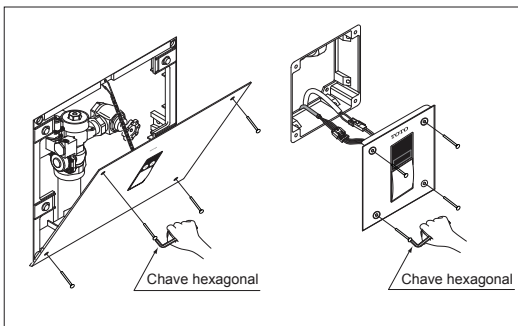
Não desmonte as peças da fluxômetro que não estejam especificadas no guia de resolução de problemas.

Se você precisar de mais ajuda, por favor contacte o suporte técnico TOTO em (888) 295-8134.

■ DESMONTAGEM

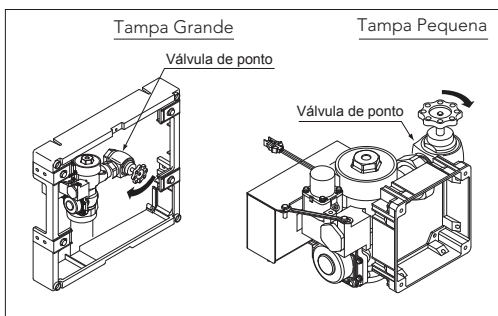
Se for necessário remover totalmente a fluxômetro do encanamento de água para reparo, atente para os cuidados abaixo:

1. Tenha cuidado para não soltar ou danificar a arruela de fricção na conexão de saída para a rosca do tubo de quebrador do vácuo. Para manter a vedação apropriada, substitua a arruela, se necessário.
2. Ao reinstalar a fluxômetro no encanamento de água, evite furar o anel de vedação.

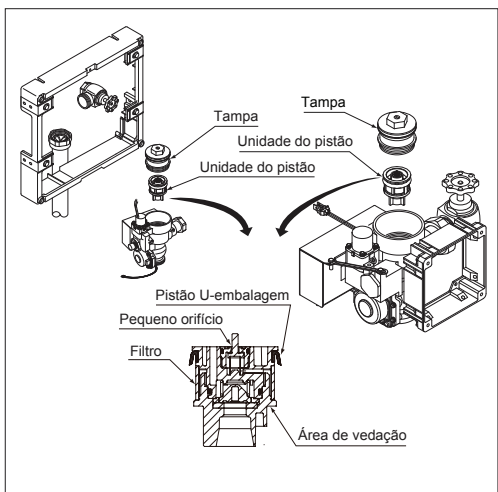


■ LIMPANDO A UNIDADE DO PISTÃO E O FILTRO

1. Gire o parafuso do válvula de ponto no sentido horário para fechar a água.



2. Remova a unidade do pistão.
3. Verifique o pequeno orifício no pistão para ver se está obstruído com resíduos. Insira um pequeno fio para desobstruir o orifício, se necessário.
4. Verifique o filtro para ver se está obstruído com resíduos e escove suavemente para limpá-lo.
5. Verifique a área de vedação do pistão e limpe, se estiver suja.
6. Verifique se a embalagem em u está rachada ou danificada.

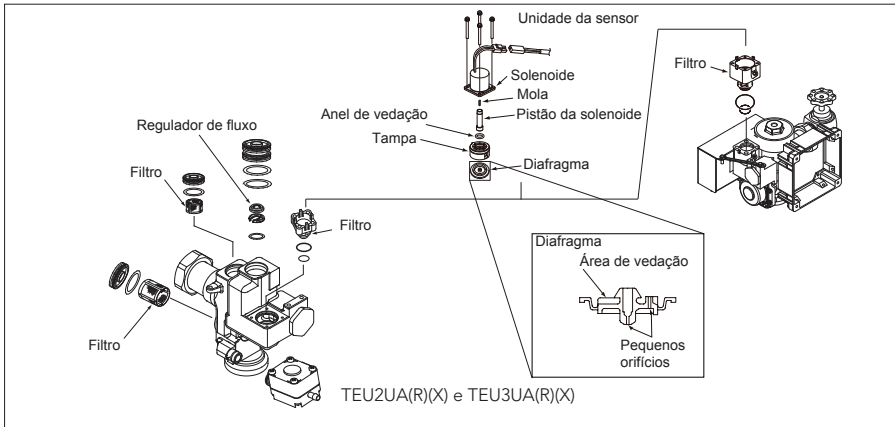


■ LIMPANDO O DIAFRAGMA E O FILTRO

1. Gire o parafuso do válvula de ponto no sentido horário para fechar a água.
2. Desconecte a solenoide.
3. Remova a solenoide e retire o diafragma.
4. Depois, verifique os pequenos orifícios e a área de vedação.

OBSERVAÇÃO: Veja abaixo para desmontagem.

OBSERVAÇÃO: Não estique nem altere a forma da mola na fluxômetro solenoide, de maneira alguma. Isso anulará a garantia.



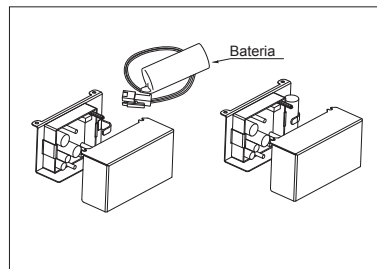
■ VERIFICANDO A SOLENOIDE

1. Assegurar que as baterias estejam colocadas corretamente e os cabos estejam conectados.
2. Com a água desligada, coloque sua mão diante do sensor por 6 segundos.
3. Tire a mão e ouça se há um som de "clique" depois de 3 segundos. Isso indica que o pistão da solenoide foi ativado.

■ SUBSTITUIÇÃO DA BATERIA

Uma bateria de reserva especial de lítio é usada. Substitua apenas pela bateria fornecida pela TOTO. Se uma luz vermelha piscar na janela do sensor em intervalos de 4 segundos, é hora de trocar a bateria.

1. Remova a bateria antiga.
2. Coloque a bateria nova na posição apropriada.

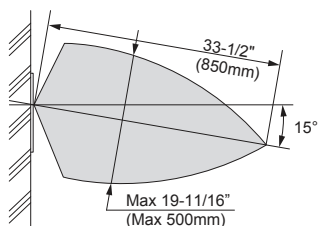


■ AJUSTE DA TAXA DE FLUXO

1. Ajuste a taxa de fluxo ao girar no válvula de ponto.
2. Gire para a esquerda para diminuir o fluxo e para a direita para aumentá-lo.

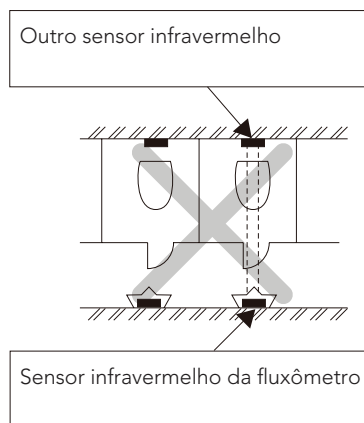
■ A FAIXA DE DETECÇÃO

A faixa de detecção do sensor infravermelho é definida na fábrica e não precisa de mais ajustes.



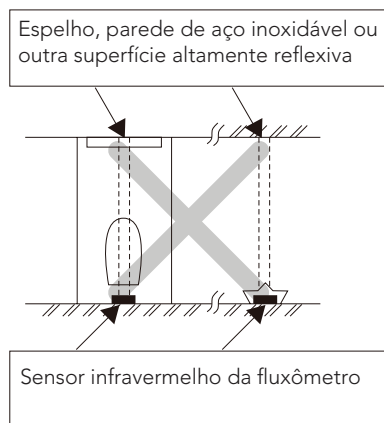
CUIDADO

NÃO coloque o sensor infravermelho de uma fluxômetro em frente a um sensor de outra fluxômetro.



CUIDADO

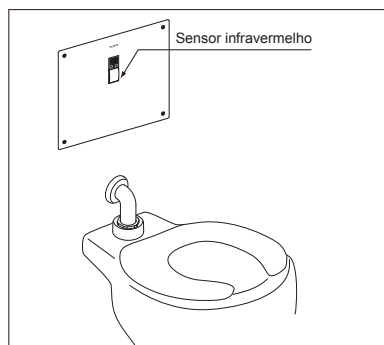
NÃO coloque o sensor infravermelho de uma fluxômetro em frente Espelho, parede de aço inoxidável ou outra superfície altamente reflexiva



OBSERVAÇÃO:

A fluxômetro pode não detectar o usuário se o assento do bacia sanitária estiver levantado. Isso pode ocorrer devido à dimensão dos furos da tubulação ou ao espaço do assento frontal comercial aberto. Abaixar o assento ou peça à TOTO ou a um encanador que altere a altura da fluxômetro.

Em algumas situações, o sensor pode ter dificuldade de detectar usuários que estejam usando roupas pretas.



GARANTIA

TOTO DO BRASIL DISTRIBUIÇÃO E COMÉRCIO, LTDA.

GARANTIA LIMITADA DE TRÊS ANOS

A garantia se aplica somente às fluxômetros eletrônicas, Torneiras e Distribuidores de Sabão.

1. A TOTO garante suas válvulas eletrônicas, torneiras e dispensadores de sabão ("Produto") contra defeitos de material e de fabricação durante o uso normal quando instalados e submetidos à manutenção adequada, por um período de três (3) anos à partir da data da compra. Esta garantia limitada é estendida apenas ao COMPRADOR ORIGINAL do Produto e não é transferível a terceiros, incluindo, mas não limitado a, qualquer comprador ou proprietário subsequente do Produto. Esta garantia se aplica somente a Produtos da TOTO comprados e instalados no Brasil.
2. As obrigações da TOTO sob esta garantia estão limitadas a reparos, substituições ou outros ajustes apropriados, a critério da TOTO, do Produto ou de peças que apresentem defeitos durante o uso normal, contanto que tal Produto tenha sido instalado, usado e submetido à manutenção adequada de acordo com as instruções. A TOTO se reserva o direito de realizar tais inspeções conforme necessário para determinar a causa do defeito. A TOTO não cobrará pela mão de obra ou por peças relacionadas a reparos ou substituições em garantia. A TOTO não é responsável pelo custo de remoção, devolução e/ou reinstalação do Produto.
3. Esta garantia não se aplica aos seguintes itens:
 - a. Danos ou perdas sofridos em desastres naturais como incêndios, terremotos, enchentes, trovoadas, tempestades elétricas etc.
 - b. Danos ou perdas resultantes de quaisquer acidentes, uso excessivo, uso indevido, abuso, negligência ou de cuidados, limpeza ou manutenção inadequada do Produto.
 - c. Danos ou perdas resultantes de sedimentos ou corpos estranhos contidos em um sistema hidráulico.
 - d. Danos ou perdas resultantes de instalação inadequada ou instalação do Produto em um ambiente severo e/ou de risco, ou de remoção, reparos ou modificações inadequados do Produto, o que inclui o uso de componentes não originais da TOTO.
 - e. Danos ou perdas resultantes de oscilações de energia ou quedas de raios ou outros atos que não sejam de responsabilidade da TOTO ou os quais o Produto não seja especificado para suportar.
 - f. Danos ou perdas resultantes do desgaste normal e habitual, como redução do brilho, arranhões ou desbotamento ao longo do tempo devido ao uso, práticas de limpeza ou água ou condições atmosféricas, incluindo, mas não limitados a, o uso de alvejantes, álcali, limpadores ácidos, limpadores a seco (pó) ou quaisquer outros limpadores abrasivos ou o uso de esponjas de metal ou nylon.

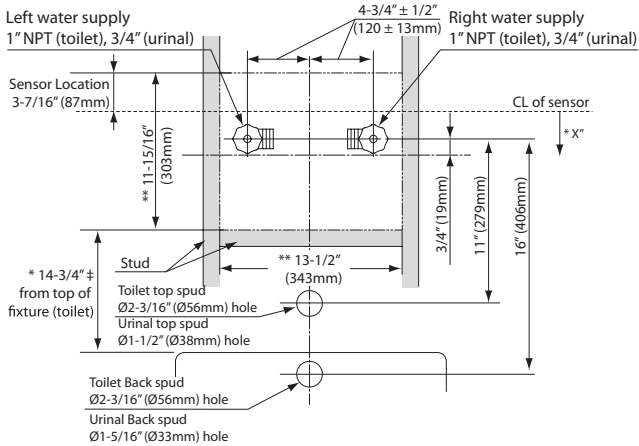
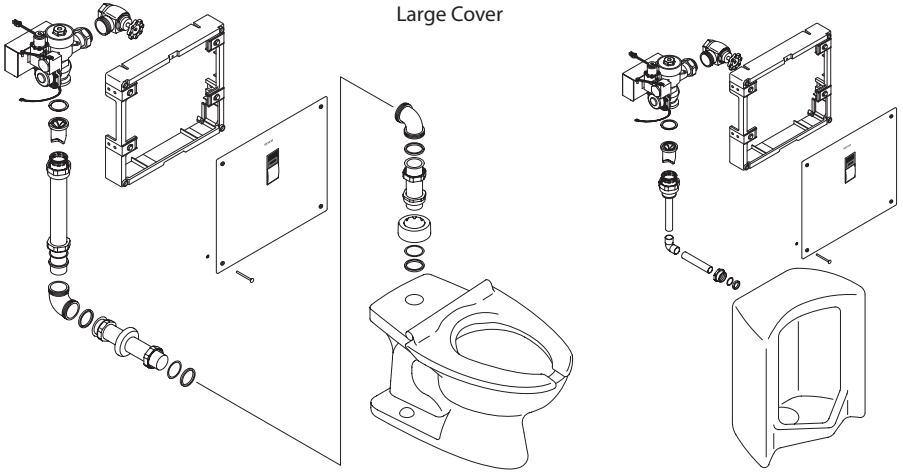
Para obter o serviço de reparos da garantia sob esta garantia, por favor envie um e-mail para suporte@br.toto.com para obter instruções sobre como proceder com sua reivindicação. Você pode ser instruído a (1) levar o Produto ou fazer a entrega pré-paga a um prestador de serviços da TOTO juntamente com o comprovante de compra (recibo de compra original) e uma carta declarando o problema; (2) entrar em contato com um distribuidor ou prestador de serviços de produtos da TOTO; ou (3) se, devido ao tamanho do Produto ou natureza do defeito, o Produto não puder ser devolvido a um centro de assistência autorizado da TOTO, a TOTO pode optar por reparar o Produto no local do comprador ou pagar pelo transporte do Produto para uma prestadora de serviços.

ATENÇÃO! A TOTO não é responsável por qualquer defeito de, ou dano a, esse Produto causado por cloraminas no tratamento do fornecimento público de água ou limpadores contendo cloro (hipoclorito de cálcio). **ATENÇÃO:** O uso de alta concentração de cloro ou produtos à base de cloro pode danificar seriamente os acessórios. Esse dano pode causar vazamentos e outros problemas graves.

ESTA GARANTIA POR ESCRITO É A ÚNICA GARANTIA FEITA PELA TOTO. REPAROS, SUBSTITUIÇÕES OU OUTROS AJUSTES APROPRIADOS CONFORME FORNECIDOS SOB ESTA GARANTIA SERÃO O ÚNICO RECURSO DISPONÍVEL AO COMPRADOR ORIGINAL. A TOTO NÃO SERÁ RESPONSÁVEL PELA PERDA DO PRODUTO OU POR OUTROS DANOS OU GASTOS INCIDENTAIS, ESPECIAIS OU CONSEQUENTES INCORRIDOS PELO COMPRADOR ORIGINAL OU POR CUSTOS DE MÃO DE OBRA OU OUTROS DEVIDO À INSTALAÇÃO OU REMOÇÃO, OU CUSTOS DE REPAROS FEITOS POR TERCEIROS, OU POR QUALQUER OUTRO GASTO NÃO DECLARADO ESPECIFICAMENTE ACIMA. EM NENHUM CASO A RESPONSABILIDADE DA TOTO EXCEDERÁ O PREÇO DE COMPRA DO PRODUTO. EXCETO QUANTO À EXTENSÃO PROIBIDA POR LEI APLICÁVEL, QUALQUER GARANTIAS IMPLÍCITAS, INCLUINDO A DE COMERCIALIZABILIDADE OU ADEQUAÇÃO PARA USO OU PARA UMA FINALIDADE ESPECÍFICA, SÃO EXPRESSAMENTE ISENTAS. ALGUNS PAÍSES, REGIÕES, ESTADOS ETC. NÃO PERMITEM LIMITAÇÕES SOBRE A DURAÇÃO DE UMA GARANTIA IMPLÍCITA OU A EXCLUSÃO OU LIMITAÇÃO DE DANOS INCIDENTAIS OU CONSEQUENTES, PORTANTO, A LIMITAÇÃO E A EXCLUSÃO ACIMA PODEM NÃO SE APLICAR A VOCE.

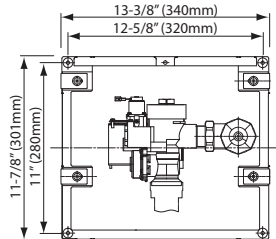
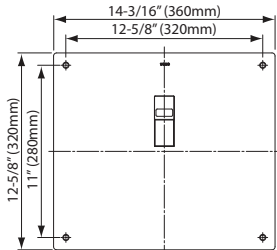
ROUGH-IN DIMENSIONS / BOSQUEJO / ROBINETTERIE BRUTE/DIMENSÕES APROXIMADAS

Large Cover

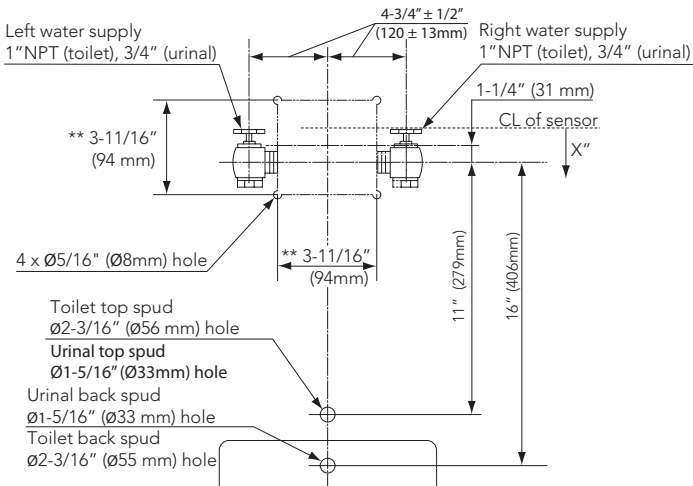
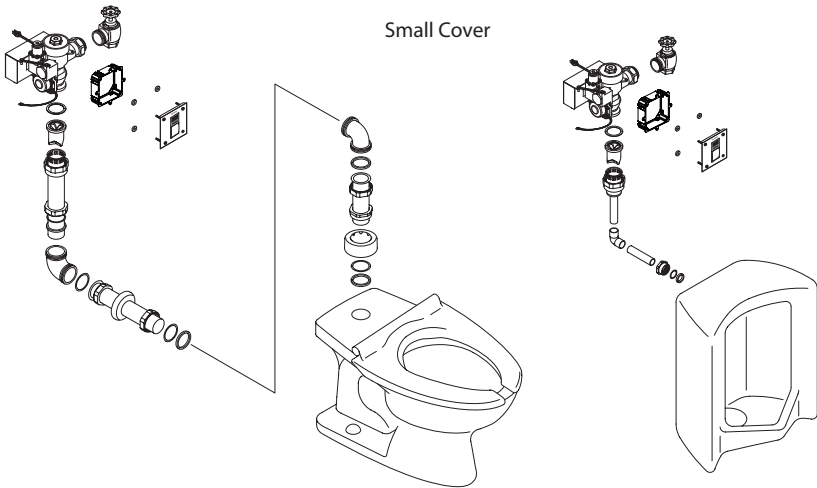


* X", ‡ = At least 5" clearance from sensor to tip of toilet seat up position or to top of grab bar is required to avoid false detection.

** Opening in wall

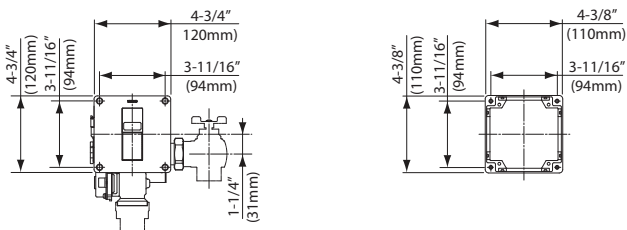


ROUGH-IN DIMENSIONS / BOSQUEJO / ROBINETTERIE BRUTE/DIMENSÕES APROXIMADAS



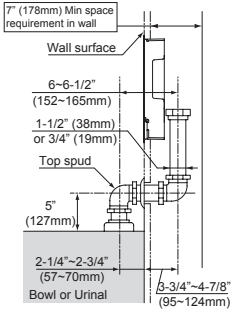
* X", ± = At least 5" clearance from sensor to tip of toilet seat up position or to top of grab bar is required to avoid false detection.

** Opening in wall

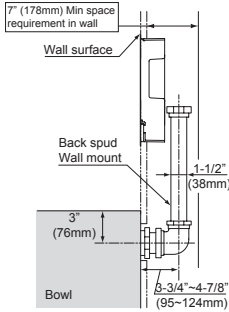


ROUGH-IN DIMENSIONS / BOSQUEJO / ROBINETTERIE BRUTE/DIMENSÕES APROXIMADAS

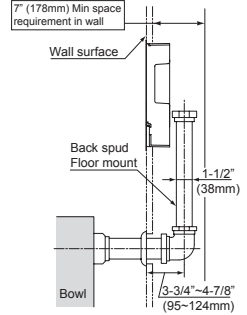
TET2LA(X)32, TET2GA32, TET2UA(X)32
TEU2LA(X)12, TEU2UA(X)12



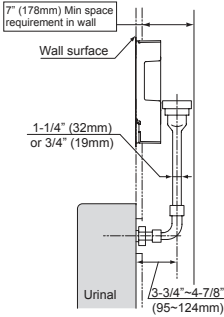
TET2LA(X)31, TET2UA(X)31
TET2GA31



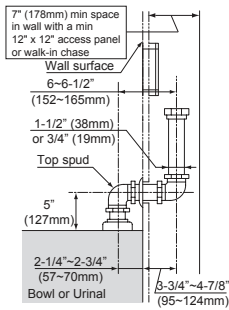
TET2LA(X)33, TET2UA(X)33
TET2GA33



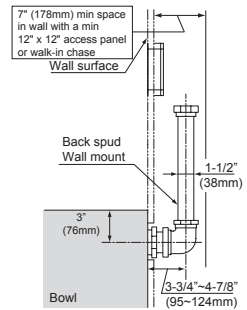
TEU2LA(X)11, TEU2LA(X)21
TEU2UA(X)11



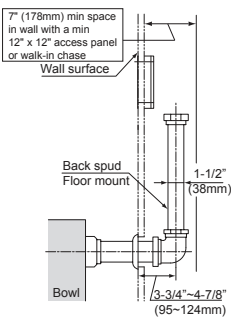
TET3LA(X)32, TET3GA32, TET3UA(X)32
TEU3LA(X)12, TEU3UA(X)12



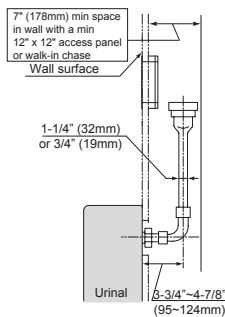
TET3LA(X)31, TET3UA(X)31
TET3GA31



TET3LA(X)33, TET3UA(X)33
TET3GA33



TEU3LA(X)11, TEU3LA(X)21
TEU3UA(X)11



RECLAIMED WATER SPECIFICATIONS

PARAMETERS	RANGE (TOTO STANDARD)
CHLORIDE ION CONCENTRATION	< 600mg/L
PH	5.8~8.6
FREE CARBONATE	< 50mg/L
LANGELIER'S INDEX	> -3.00
NITRATE ION CONCENTRATION	< 60mg/L
CONDUCTIVITY	< 250mS/m
SULFATE ION CONCENTRATION	< 100mg/L
RESIDUAL CHLORINE CONCENTRATION	< 2mg/L
HYDROGEN SULFIDE GAS	should not exist
SUSPENDED SOLIDS	< 5mg/L

ESPECIFICACIONES DE AGUA REGENERADA

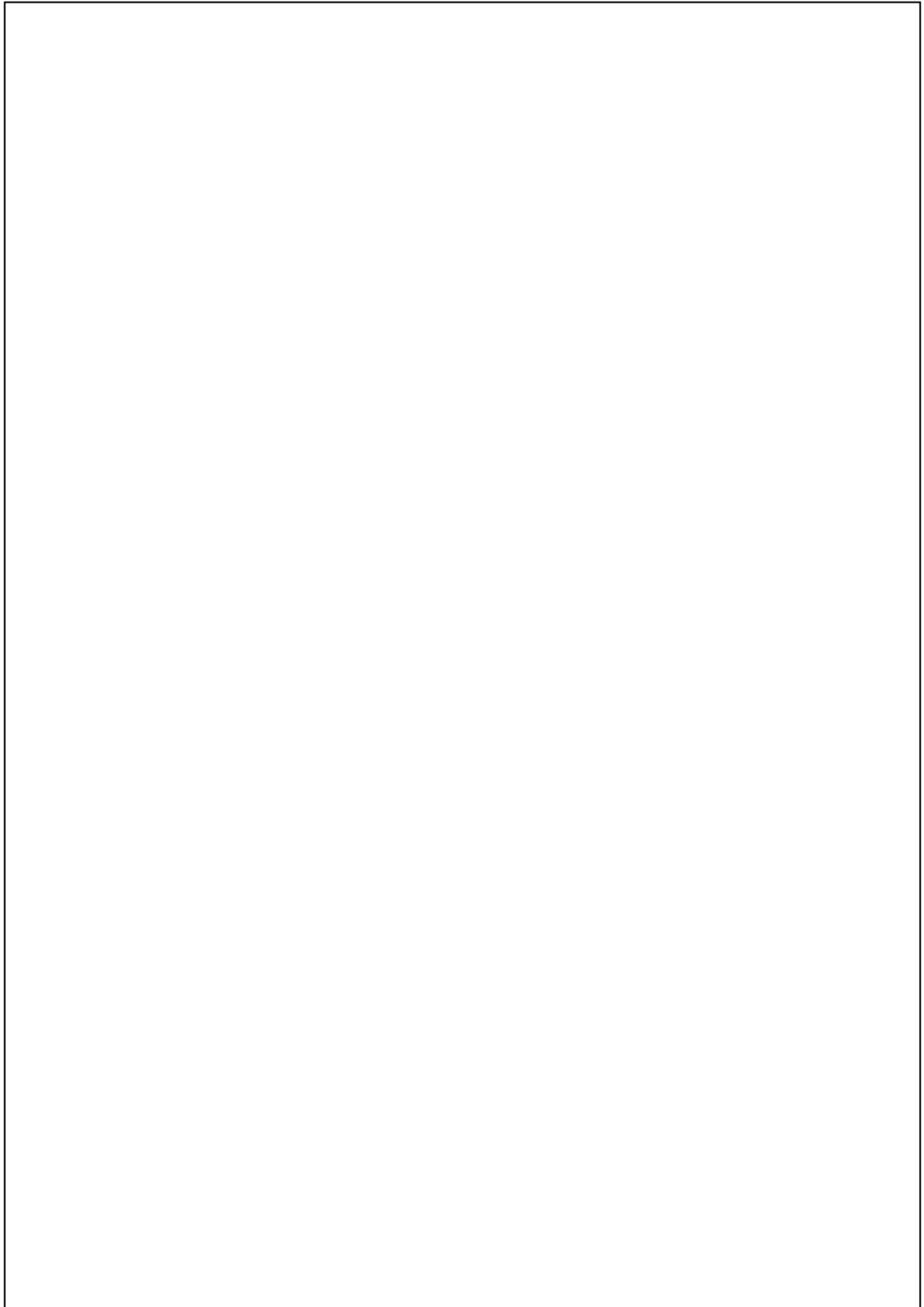
PARÁMETROS	RANGO (ESTÁNDAR DE TOTO)
CONCENTRACIÓN DE IONES DE CLORURO	< 600 mg/l
PH	5.8~8.6
CARBONATO LIBRE	< 50 mg/l
ÍNDICE DE LANGELIER	> -3.00
CONCENTRACIÓN DE IONES DE NITRATO	< 60 mg/l
CONDUCTIVIDAD	< 250 mS/m
CONCENTRACIÓN DE IONES DE SULFATO	< 100 mg/l
CONCENTRACIÓN DE CLORO RESIDUAL	< 2 mg/l
GAS DE ÁCIDO SULFHÍDRICO	no debe existir
SÓLIDOS EN SUSPENSIÓN	< 5 mg/l

SPÉCIFICATIONS DE L'EAU RÉCUPÉRÉE

PARAMÈTRES	PLAGE (NORMES DE TOTO)
CONCENTRATION D'IONS CHLORURE	< 600 mg/L
PH	5,8~8,6
CARBONATE LIBRE	< 50 mg/L
INDICE DE LANGELIER	> -3,00
CONCENTRATION D'IONS NITRATE	< 60 mg/L
CONDUCTIVITÉ	< 250 mS/m
CONCENTRATION D'IONS SULFATE	< 100 mg/L
CONCENTRATION DE CHLORE RÉSIDUEL	< 2 mg/L
SULFURE D'HYDROGÈNE	Aucune
SOLIDES EN SUSPENSION	< 5 mg/L

ESPECIFICAÇÕES DE ÁGUA RECUPERADA

PARÂMETROS	INTERVALO (PADRÃO DA TOTO)
CONCENTRAÇÃO DE ÍONS CLORETO	< 600 mg/L
PH	5,8~8,6
CARBONATO LIVRE	< 50 mg/L
ÍNDICE DE LANGELIER	> -3,00
CONCENTRAÇÃO DE ÍONS NITRATO	< 60 mg/L
CONDUTIVIDADE	< 250 mS/m
CONCENTRAÇÃO DE ÍONS SULFATO	< 100 mg/L
CONCENTRAÇÃO DE CLORO RESIDUAL	< 2 mg/L
GÁS SULFETO DE HIDROGÊNIO	não deve existir
SÓLIDOS SUSPENSOS	< 5 mg/L



TOTO

TOTO U.S.A., Inc. 1155 Southern Road,
Morrow, Georgia 30260
Tel: 888-295-8134 Fax: 800-699-4889
www.totousa.com

0GU3063
Rev. F



0G435XN

Warranty Registration and Inquiry

For product warranty registration, TOTO U.S.A. recommends online warranty registration. Please visit our web site <http://www.totousa.com>. If you have questions regarding warranty policy or coverage, please contact TOTO U.S.A. Inc., Customer Service Department, 1155 Southern Road, Morrow, GA 30260 (888) 295-8134 or (678) 466-1300 when calling from outside of U.S.A.