



4700 W. 160th St.
Cleveland, OH 44135
PH: 800-321-9532
FX: 800-321-9535
www.oatey.com

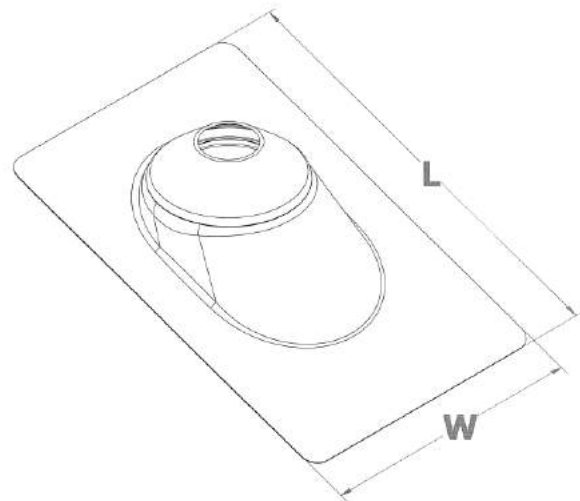
TECHNICAL SPECIFICATION

**THERMOPLASTIC BASE
NO-CALK®
ROOF FLASHINGS**



Engineering Specification: Oatey Thermoplastic No-Calk® Roof Flashings can be used in commercial and residential applications where a watertight seal for roof penetrations around the plumbing vent pipe is required.

Job Reference



(All dimensions in inches)

- ◆ Roof Flashing slides over vent pipe for pitch to 45°
- ◆ Non-fading, non-cracking rigid black thermoplastic base
- ◆ Non-fading sealing collar
- ◆ Approved for Type B installations
- ◆ Not for hot-mopped or built-up roofs
- ◆ Do not use paint or petroleum based products on plastic bases or rubber collars

✓	Product No.	Description	Length (L)	Width (W)	PACK	CARTON WEIGHT
	11898	1-1/4"-1-1/2" Thermoplastic No-Calk Roof Flashing	13	9-1/4	6	3 lbs.
	11908	1-1/4"-1-1/2" Thermoplastic No-Calk Roof Flashing	13	9-1/4	12	6 lbs.
	11899	2" Thermoplastic No-Calk Roof Flashing	13	9-1/4	6	3 lbs.
	11909	2" Thermoplastic No-Calk Roof Flashing	13	9-1/4	12	6 lbs.
	11890	3" Thermoplastic No-Calk Roof Flashing	15	11-1/4	6	4 lbs.
	11910	3" Thermoplastic No-Calk Roof Flashing	15	11-1/4	12	8 lbs.
	11891	4" Thermoplastic No-Calk Roof Flashing	16	12	6	5 lbs.
	11884	1 1/4" - 1 1/2" Thermoplastic 12" x 18" base	18	12	12	
	11911	4" Thermoplastic No-Calk Roof Flashing	16	12	12	9 lbs.
	11917	1-1/4"-1-1/2" Thermoplastic No-Calk Roof Flashing – SW Texas	15	11-1/4	12	9 lbs.
	11918	2" Thermoplastic No-Calk Roof Flashing – SW Texas	15	11-1/4	12	9 lbs.
	11884	1.25" - 1.5" Thermoplastic No-Calk	12	18	12	9 lbs.
	11887	1-1/4"-1-1/2" Large Base Thermoplastic No-Calk Roof Flashing	18	18	12	9 lbs.
	11888	2" Large Base Thermoplastic No-Calk Roof Flashing	18	18	12	10 lbs.
	11889	3" Large Base Thermoplastic No-Calk Roof Flashing	18	18	12	10 lbs.



IAPMO Listed



653

Data is subject to manufacturing tolerances.