

Bronze Ball Valves

Two-Piece Body • Full Port 1/4"-1" • Conventional Port 1/4"-3" •
Stainless Trim • Blowout-Proof Stem • Vented Ball

600 PSI/41.4 bar non-shock cold working pressure
150 PSI/10.3 bar saturated steam*

CONFORMS TO MSS SP-110

MATERIAL LIST

| PART | SPECIFICATION |
|------------------------|--|
| 1. Handle Nut | Stainless Steel 300 Series |
| 2. Handle | Zinc Plated Steel Clear Chromate Plastisol Coated |
| 3. Threaded Pack Gland | Brass ASTM B 16 Alloy C36000 |
| 4. Packing | PTFE |
| 5. Stem | Stainless Steel ASTM A 276 Type 316 |
| 6. Thrust Washer | Reinforced PTFE |
| 7. Ball (Vented) | Stainless Steel ASTM A 276 Type 316 or ASTM A 351 Type CF8M |
| 8. Seat Ring (2) | Reinforced PTFE |
| 9. Body | Bronze ASTM B 584 Alloy C84400 |
| 10. Body End Piece | Bronze ASTM B 584 Alloy C84400 |

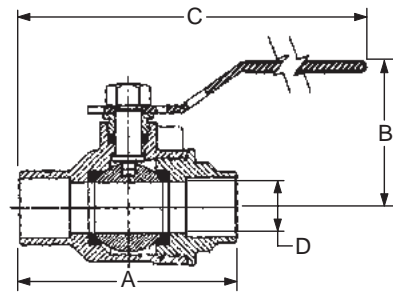
1/4" size only has a 304 stainless steel grounding washer.



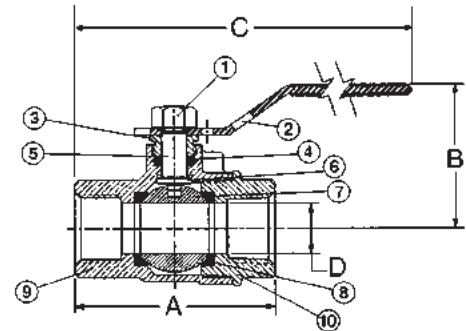
T-580-70-66
Threaded



S-580-70-66
Solder



S-580-70-66
C x C



T-580-70-66
NPT x NPT

DIMENSIONS—WEIGHTS—QUANTITIES

Dimensions

| Size | T-580-70-66 | | S-580-70-66 | | T-580-70-66 | | S-580-70-66 | | D | T-580-70-66 | | S-580-70-66 | | Master Ctn. Qty. | | | | |
|-------|-------------|------|-------------|------|-------------|------|-------------|-------|-----|-------------|------|-------------|-----|------------------|------|-------|------|-----|
| | A | A | B | C | C | D | D | Lbs. | | Kg. | Lbs. | Kg. | | | | | | |
| In. | mm. | In. | mm. | In. | mm. | In. | mm. | In. | mm. | Lbs. | Kg. | Lbs. | Kg. | | | | | |
| †1/4 | 8 | 2.00 | 51 | 1.75 | 44 | 1.75 | 44 | 5.00 | 127 | 4.75 | 121 | .38 | 10 | .45 | .21 | .42 | .19 | 100 |
| †3/8 | 10 | 2.00 | 51 | 1.84 | 47 | 1.75 | 44 | 5.00 | 127 | 4.81 | 122 | .38 | 10 | .45 | .21 | .42 | .19 | 100 |
| †1/2 | 15 | 2.44 | 62 | 2.56 | 65 | 1.88 | 48 | 5.19 | 132 | 5.25 | 133 | .50 | 13 | .64 | .29 | .60 | .27 | 100 |
| †3/4 | 20 | 2.94 | 75 | 3.25 | 83 | 2.25 | 57 | 6.25 | 159 | 6.25 | 159 | .75 | 19 | 1.33 | .60 | 1.27 | .58 | 50 |
| †1 | 25 | 3.34 | 85 | 3.75 | 95 | 2.38 | 60 | 6.44 | 164 | 6.63 | 168 | 1.00 | 25 | 1.79 | .81 | 1.72 | .78 | 40 |
| 1 1/4 | 32 | 3.94 | 100 | 4.00 | 102 | 2.63 | 67 | 6.75 | 171 | 6.75 | 171 | 1.00 | 25 | 2.33 | 1.06 | 1.94 | .88 | 20 |
| 1 1/2 | 40 | 4.31 | 109 | 4.44 | 113 | 3.00 | 76 | 8.88 | 226 | 9.00 | 229 | 1.25 | 32 | 3.49 | 1.58 | 3.10 | 1.40 | 20 |
| 2 | 50 | 4.63 | 118 | 5.50 | 140 | 3.16 | 80 | 9.06 | 230 | 9.50 | 241 | 1.50 | 38 | 5.16 | 2.34 | 4.67 | 2.12 | 10 |
| 2 1/2 | 65 | 5.84 | 148 | 7.28 | 185 | 3.50 | 89 | 9.66 | 245 | 10.38 | 264 | 2.00 | 51 | 8.98 | 4.07 | 8.92 | 4.04 | 6 |
| 3 | 80 | 7.09 | 180 | 8.78 | 223 | 4.41 | 112 | 11.53 | 293 | 12.38 | 314 | 2.50 | 64 | 17.38 | 7.88 | 16.59 | 7.52 | 4 |

† NIBCO supplies full port T or S-585-70-66 on this size.

Note: solder end is designed to be soft-soldered into lines using solders with the melting point not exceeding 500°F. Higher temperature solders will damage the seat material. See installation sheet packaged with valves.

♦ For detailed operating pressure, refer to pressure temperature chart on page 41.

WARNING: This product can expose you to chemicals including lead, which is known to the State of California to cause cancer and birth defects or other reproductive harm. For more information go to www.P65Warnings.ca.gov.

**LEAD FREE*
OPTION
AVAILABLE**

**OXYGEN
SERVICE
OPTION
AVAILABLE**

Visit our website for the most current information.

*Weighted average lead content ≤ 0.25%