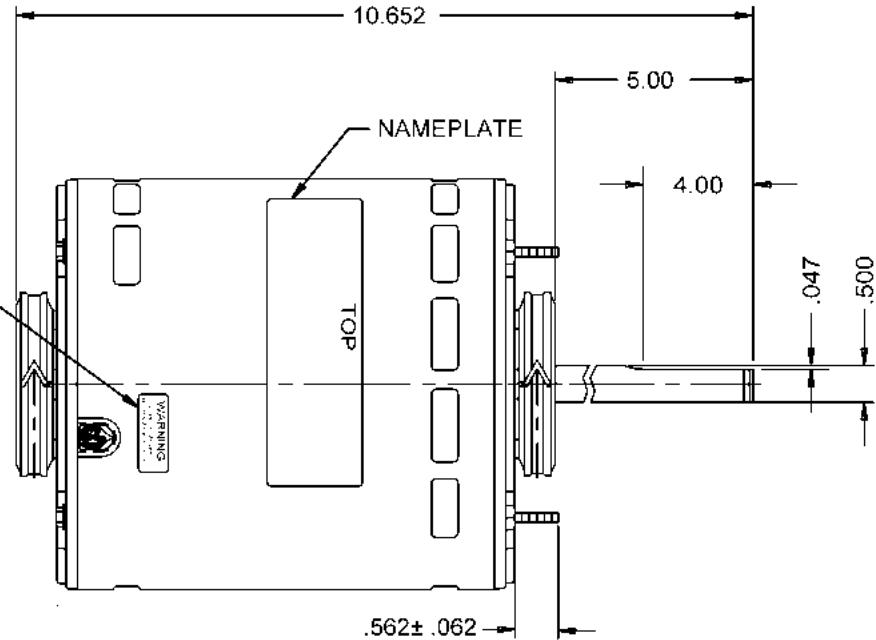
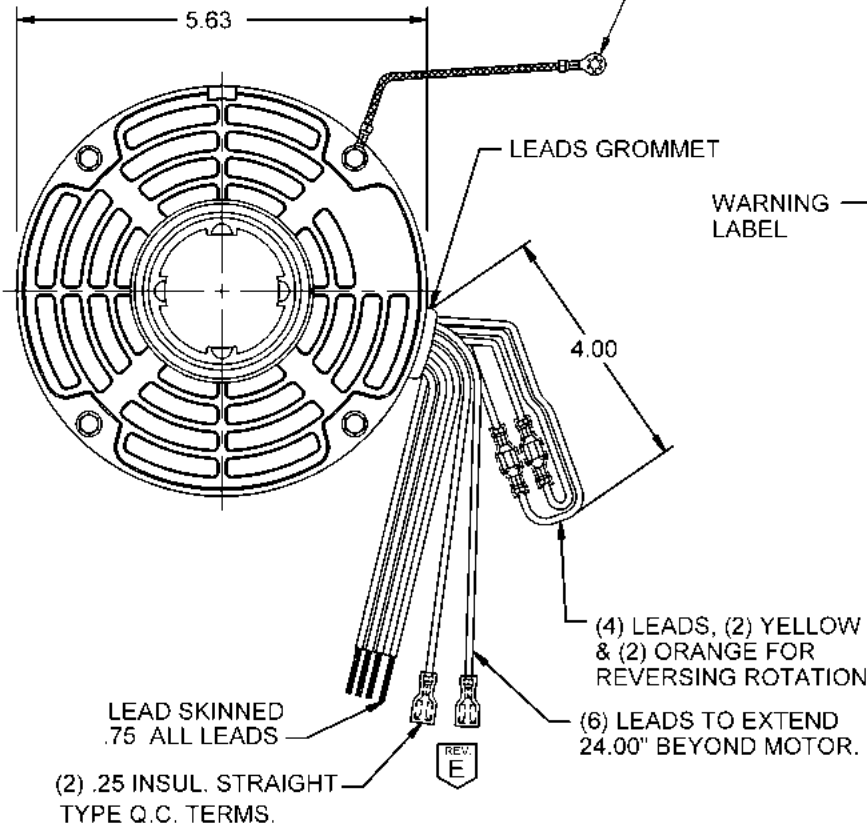
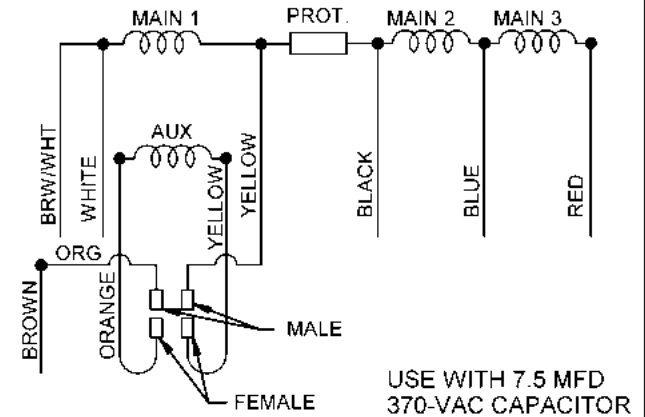


#16 GREEN GROUND LEAD TO BE 12.00 BETWEEN CENTERS OF TERMS. TERM. TO FIT #10 SCREW.



CONNECTION SHOWN IS FOR C.C.W. LE. ROTATION TO REVERSE ROTATION, INTERCHANGE ORANGE AND YELLOW LEADS.

COLOR CODE
 WHITE-COMMON
 BLACK-HIGH
 BLUE-MEDIUM
 RED-LOW
 BROWN-CAPACITOR



NIDEC MOTOR CORPORATION 28-May-13

MODEL	REF	CUSTOMER	HP	VOLTS	AMPS	HZ	RPM	ROTATION	CUSTOMER PN
K55HXWML-1257	A30151-X3	WHOLESALE-HAC	1/3	208-230	1.9	60	1075/ 3 SPD	CCW LEAD END REV	1972

SHEET NUMBER	REV	REVISION RECORD FOR:	ITEM NO
1 of 1	E	STRAIGHT TERMINALS ON BRN LEADS WAS WITHOUT INSULATION.	C7693-00
REVISION DATE			
29-MAY-13			
ISSUED BY	REVIEWED BY	ENGINEER APPROVED	
R. GUZMAN	M. LARGENT	B. GAITAN	

INFORMATION DISCLOSED ON THIS DOCUMENT IS CONSIDERED PROPRIETARY AND SHALL NOT BE REPRODUCED OR DISCLOSED WITHOUT WRITTEN CONSENT OF NIDEC MOTOR CORPORATION
ALL DIMENSIONS ARE FOR REFERENCE ONLY UNLESS TOLERANCE IS GIVEN
TITLE
ASSEMBLED VIEW

NIDEC MOTOR CORPORATION		
CODE	ITEM NO	SIZE
V01	781055	A