

Bronze Ball Valves

Three-Piece Body • Full Port • Copper Stub Ends • Type K (straight) • Type L (expanded) •
Cleaned and Bagged for OX Service • Bronze Trim • Blowout-Proof Stem

Dezincification
Resistant

600 PSI/41.4 bar non-shock cold working pressure
200 PSI/13.8 bar for medical gas

CONFORMS TO MSS SP-110

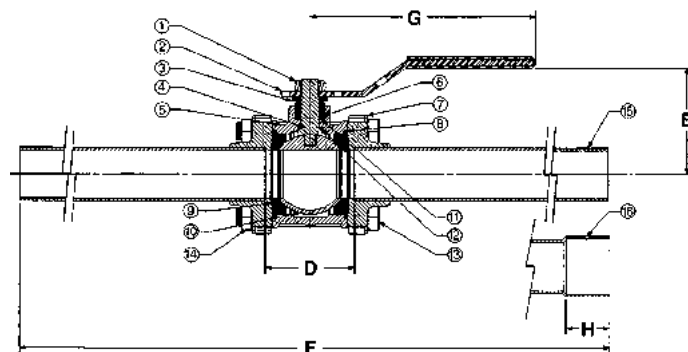
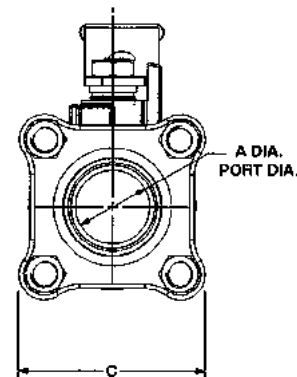
MATERIAL LIST

PART	SPECIFICATION
1. Handle Nut	Zinc Plated Steel
2. Handle	Zinc Plated Steel Clear Chromate Plastisol Coated
3. Threaded Pack Gland	Brass ASTM B 16 Alloy C36000
4. Stem	Silicon Bronze ASTM B 371 Alloy C69430 or ASTM B 99 Alloy C65100
5. Body	Bronze ASTM B 584 Alloy C84400
6. Packing	PTFE
7. Body End (2)	Bronze ASTM B 584 Alloy C84400
8. O-Ring Seal (2)	Fluoroelastomer Rubber
9. Seat Ring (2)	PTFE
10. Ball	Brass ASTM B 124 Alloy C37700 or ASTM B16 Alloy C36000 EACH with Hard Chrome Plate
11. Ground Washer	Stainless Steel ASTM A 167 Type 304
12. Thrust Washer	Reinforced PTFE
13. Body Bolts	Zinc Dichromate Plated Steel ASTM A 449 Grade 5
14. Body Nuts	Zinc Dichromate Plated Steel ASTM A 449 Grade 5
15. Straight Stub Out (2)	6" Copper Tube Type K
16. Expanded Stub Out (2)	6" Copper Tube Type L (Specify EC)



CS-595-YX-EC

Copper Stub Ends



CS-595-YX/CS-595-YX-EC
CSE x CSE

Note: valves are static grounded by a grounding washer. (not shown)

Testing

The CS-595-YX series are tested to MSS SP-110. For applications that require a 150 PSI dry nitrogen test, please contact NIBCO Technical Services.

MSS SP-110 Test parameters are as follows:

Shell Test = 80 PSI air under water for 5 seconds or 1.5 x CWP hydrostatic for 15 seconds.

Seat Test = 80 PSI air under water for 5 seconds or 1.1 CWP hydrostatic for 15 seconds.

Oxygen Cleaning

NIBCO's internal cleaning procedure for cleaned and bagged bronze ball valves meets the requirements of NFPA99 and CGA Pamphlet G-4-1.

Medical Gas Service

NFPA 99 sets a maximum operating limit for medical gases of 185 PSI.

DIMENSIONS—WEIGHTS—QUANTITIES

Size	Dimensions												CS-595-YX/EC	Master Ctn. Qty.
	A	B	C	D	F	G	H	Lbs.	Kg.					
In. mm.	In. mm.	In. mm.	In. mm.	In. mm.	In. mm.	In. mm.	In. mm.	In. mm.	In. mm.	In. mm.	In. mm.	In. mm.	In. mm.	In. mm.
½	15 50	13 33	1.69 43	1.81 46	1.11 28	13.11 333	3.91 99	.50 13	1.22 55	10				
¾	20 75	19 38	2.00 51	1.94 50	1.41 36	13.41 341	4.66 118	.75 19	2.25 1.02	10				
1	25 1.00	25 38	2.25 57	2.50 64	1.81 46	13.81 351	4.66 118	.91 23	3.23 1.47	10				
1¼	32 1.25	32 38	2.75 70	2.69 68	1.96 50	13.96 355	6.69 170	.97 25	4.41 2.00	4				
1½	40 1.50	38 38	2.97 75	3.00 76	2.39 61	14.39 366	6.69 170	1.09 28	6.61 3.00	4				
2	50 2.00	51 38	3.63 92	4.00 102	3.04 77	15.04 382	6.69 170	1.34 34	11.67 5.29	4				

**OXYGEN
SERVICE
OPTION
AVAILABLE**

Visit our website for the most current information.