

### Features

- Vitreous china.
- Under-mount.
- Rectangular basin.
- With overflow.
- No faucet holes; requires wall- or counter-mount faucet.
- Coordinates with other products in the Kathryn collection.
- 17" (432 mm) x 13" (330 mm)

### Components

Additional included component/s: Basin clamp assembly.



ADA CSA B651

### Codes/Standards











ASME A112.19.2/CSA B45.1  
ADA  
ICC/ANSI A117.1  
CSA B651

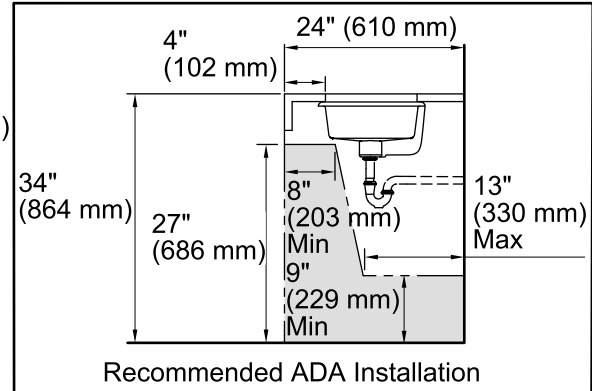
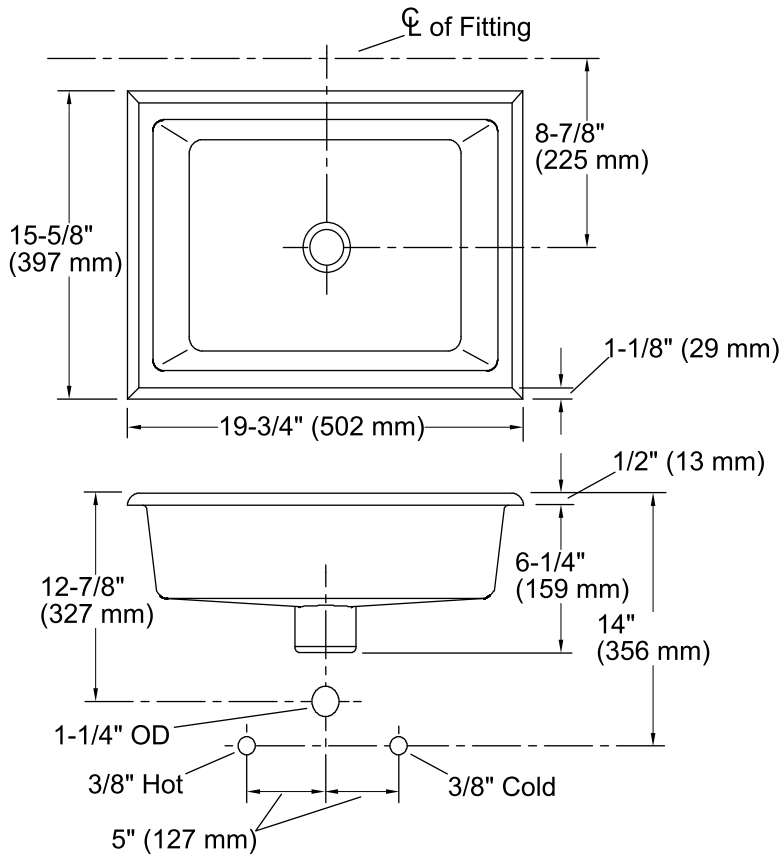
### KOHLER® One-Year Limited Warranty

See website for detailed warranty information.

### Available Color/Finishes

*Color tiles intended for reference only.*

| Color  | Code | Description   |
|--|------|---------------|
|  | 0    | White         |
|  | 96   | Biscuit       |
|  | 47   | Almond        |
|  | NY   | Dune          |
|  | 95   | Ice™ Grey     |
|  | G9   | Sandbar       |
|  | 33   | Mexican Sand™ |
|  | K4   | Cashmere      |
|  | 58   | Thunder™ Grey |
|  | 7    | Black Black™  |



## Technical Information

All product dimensions are nominal.

|                     |  |
|---------------------|--|
| Bowl configuration: | Single   |
| Installation:       | Under-mount  |
| Bowl area (Only)    | Length: 17" (432 mm)<br>Width: 13" (330 mm)<br>Water depth: 3" (76 mm) |
| Drain hole:         | 1-3/4" (44 mm)   |
| Template:           | Under-mount, 1006809-7, required, not included                         |

## Notes

Install this product according to the installation guide.

**NOTICE:** Countertop manufacturer or cutter must use the current product template available at [www.kohler.com](http://www.kohler.com), or by calling 1-800-4KOHLER. Kohler Co. is not responsible for cutout errors when the incorrect cutout template is used.

ADA, CSA B651 compliant when installed to the specific requirements of these regulations.