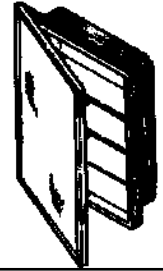


**MODEL 614  
PLASTIC SURFACE MOUNTED  
MEDICINE CABINET**

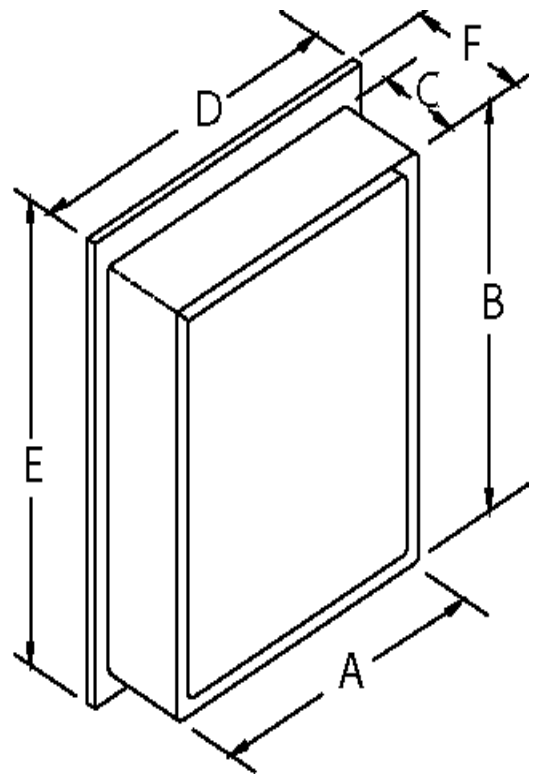


**FEATURES**

- Surface-mounted installation
- Molded White Plastic Housing/Body (PT01)
- Polish Stainless Steel Mirror Trim (SS8)
- Two Molded, Non-Removable Fixed Shelves
- Float Glass Mirror
- Fiberboard Door Back
- 16" Piano Hinge
- Includes Mounting Screws
- Magnetic Door Latch With Steel Striker Plate
- Cabinet is Fully Assembled

**Finishes:**

Housing: PT01-Basic White  
Mirror: Flat Mirror  
Frame: SS8-Polish Stainless Steel Trim



MODEL NO.	BODY SIZE			OVERALL SIZE		
	A	B	C	D	E	F
614	15-3/4	19-3/4	3-5/8	16-1/8	22-1/8	4-1/4

\* All models and material specifications are subject to change or withdrawal without notice.

Broan-NuTone Storage Solutions LP, 501 S. Wilhite Street, Cleburne, TX 76031 (1-800-325-8351)

REFERENCE	QTY.	REMARKS	Project
			Location
			Architect
			Engineer
			Contractor
			Submitted by
			Date