

CHICAGO FAUCETS



2100 SOUTH CLEARWATER DRIVE
DES PLAINES, ILLINOIS 60018-5999

a Geberit company

FITTING NO.

732-665PSH

SUBMITTED MODEL NO.

JOB NAME

ITEM NO.

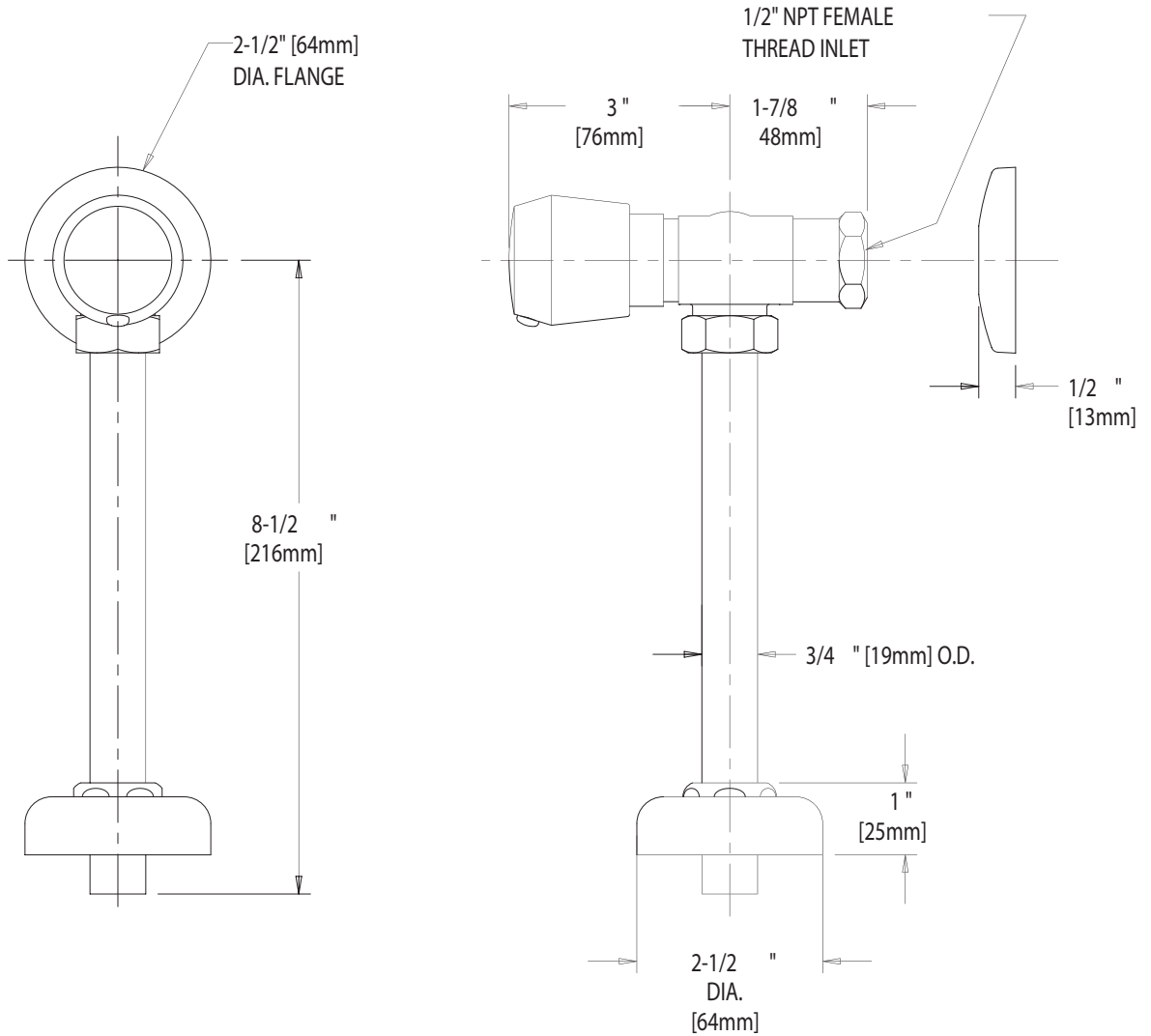
SUBMITTED AS SHOWN

SUBMITTED AS NOTED

SEE ATTACHED FOR
SUBMITTED MODIFICATION



ADA COMPLIANT



ROUGHING IN DIMENSIONS MAY VARY AND ARE SUBJECT TO CHANGE. NO RESPONSIBILITY IS ASSUMED FOR USE OF SUPERCEDED OR VOIDED DATA.

TECHNICAL DATA

- ANGLE VALVE WITH LOOSE WALL FLANGE
- 665 INDEXED PUSH BUTTON HANDLE
- MVP METERING CARTRIDGE
- TAILPIECE AND ESCUTCHEON ASSEMBLY
- FINISH: CHROME PLATE

- ASME A112.18.1M COMPLIANT
- CSA B125 COMPLIANT

DATE: 05-02-02
BY: SID
CHK'D:
APP'D:
REV: A

732-665PSH