

# Kingsley® Technical Specification

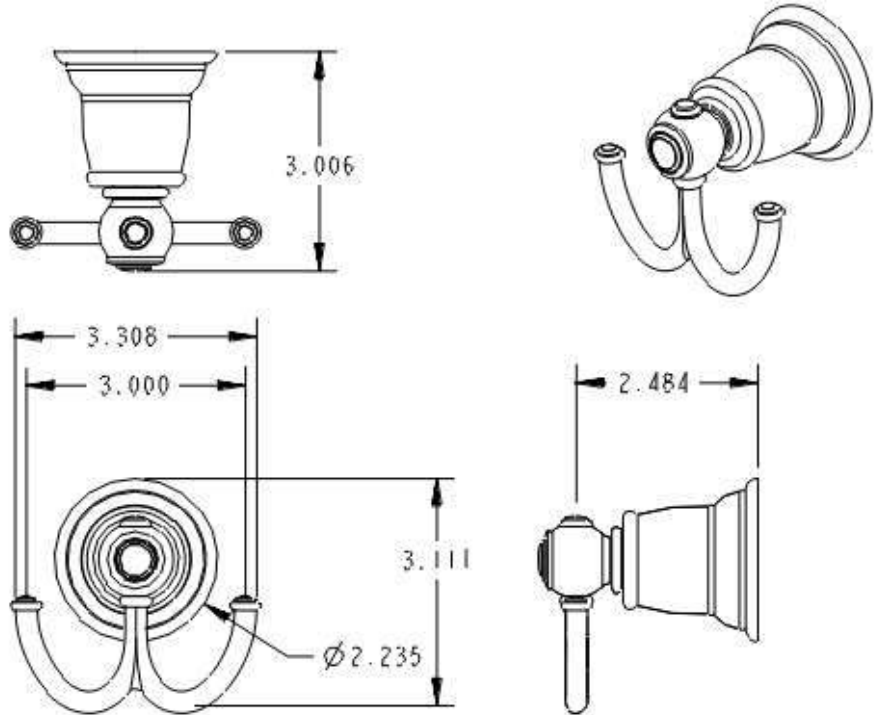
## Robe Hook

# YB5403

### Stock Numbers:

- ❑ **YB5403AN – Robe Hook**  
Antique Nickel Finish
- ❑ **YB5403AZ – Robe Hook**  
Antique Bronze Finish
- ❑ **YB5403BN – Robe Hook**  
Brushed Nickel Finish
- ❑ **YB5403CH – Robe Hook**  
Chrome Finish
- ❑ **YB5403ORB – Robe Hook**  
Oil Rubbed Bronze Finish
- ❑ **YB5403PB – Robe Hook**  
Polished Brass Finish
- ❑ **YB5403WR – Robe Hook**  
Wrought Iron Finish

### Dimensions:



### Materials:

Robe Hook is constructed of zinc.

### Installation Instructions:

1. Remove the mounting post from the body by loosening the setscrew.
2. Position the mounting post on the wall at desired location. Large slots to be right and left. Small holes to be top and bottom.
3. One at a time, place each anchor screw through the mounting post, centered in the large slot hole. Using a Phillips screwdriver, turn the anchor screw while applying pressure. Screw will self drill and tap into drywall. Do not over tighten.
4. Place assembly over the mounting post, setscrew facing down.
5. Tighten setscrew.

### Cleaning Instructions:

To preserve the fine finish of this product, clean only with a soft damp cloth. Dry well. Do not use commercial or abrasive cleaners.

**Stock Number:** \_\_\_\_\_ Robe Hook  
By Creative Specialties



25300 AL MOEN DRIVE • NORTH OLMSTED, OH 44070  
CORPORATE HEADQUARTERS: (800) 321-8809 • FAX: (800) 848-6636  
INTERNATIONAL: (440) 962-2000 • FAX: (440) 962-2726  
CUSTOMER SERVICE (USA): 800-882-0116 • FAX: (888) 379-2720  
WWW.MOEN.COM

©Copyright Creative Specialties International

Literature #BA1117