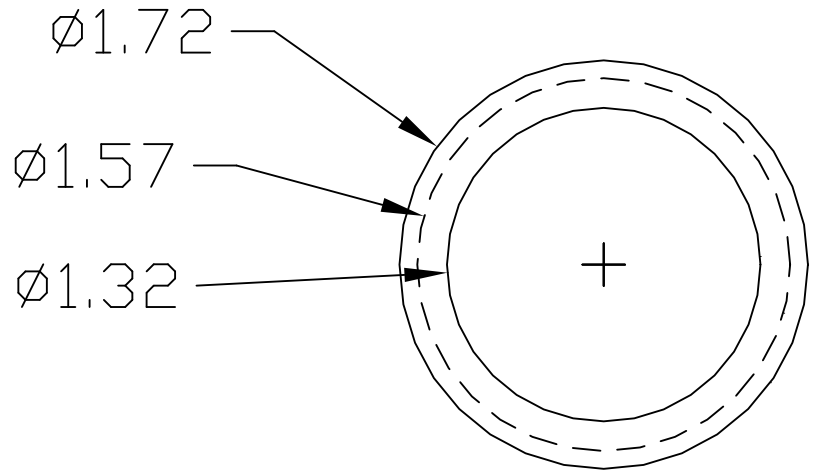
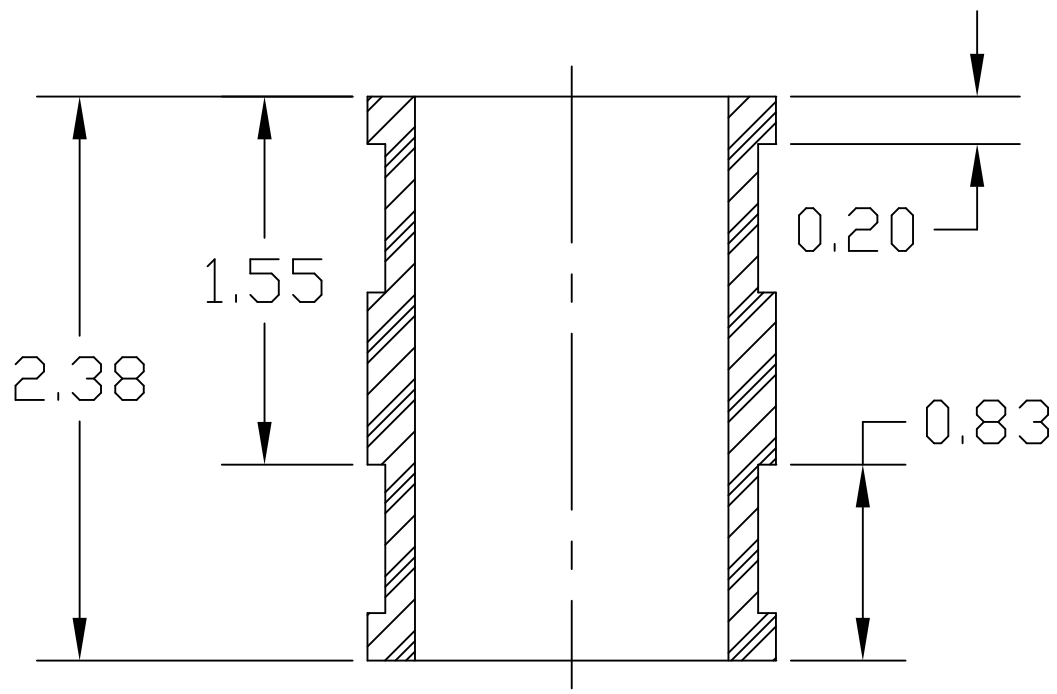


REVISIONS				
ZONE	REV	DESCRIPTION	DATE	APPROVED



Notes

1. Gasket Material: Black Plasticized PVC
65 Shore "A" Durometer Hardness
Conforming to ASTM D 5926
2. Clamps: 300 Series Stainless Steel,
2 pcs. of Part# 020-300
3. Connections: 1" SCH 40 PVC or 1 1/4" CTS
to 1" SCH 40 PVC or 1 1/4" CTS



UNLESS OTHERWISE SPECIFIED:
DIMENSIONS ARE IN INCHES
TOLERANCES

DECIMALS	ANGULAR
.XX ± .06	± 0.5°
.XXX ± .032	
DO NOT SCALE DRAWING	

FERNCO				
1" Condensate Line Connector				
DRAWN	AJD	DATE	15Jan03	SIZE
CHECKED		FSCM NO.	DWG NO.	REV
			1056-100	