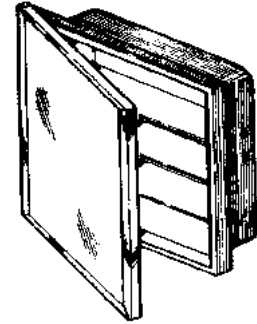


# STYLELINE SERIES MOLDED BATHROOM CABINETS



**Standard builder models - for recessed and surface mount installation**

**FEATURES**

- Easy to clean, one-piece, injection-molded polystyrene construction
- Glass mirror
- Stainless steel frame
- Butt hinge
- Polystyrene shelves (fixed or adjustable)
- Reversible - for left-hand or right-hand door opening
- Includes mounting hardware

**TYPICAL SPECIFICATION**

Bathroom cabinet shall be Broan Styleline Series Model 401ADJ, (407ADJ), (614) and (624).

Bathroom cabinet shall be of one-piece, injection-molded polystyrene construction.

Glass mirror shall have full surround of stainless steel frame with screw closure. Door back shall be fitted tight within the frame and finished in white.

Cabinet shall have butt hinges.

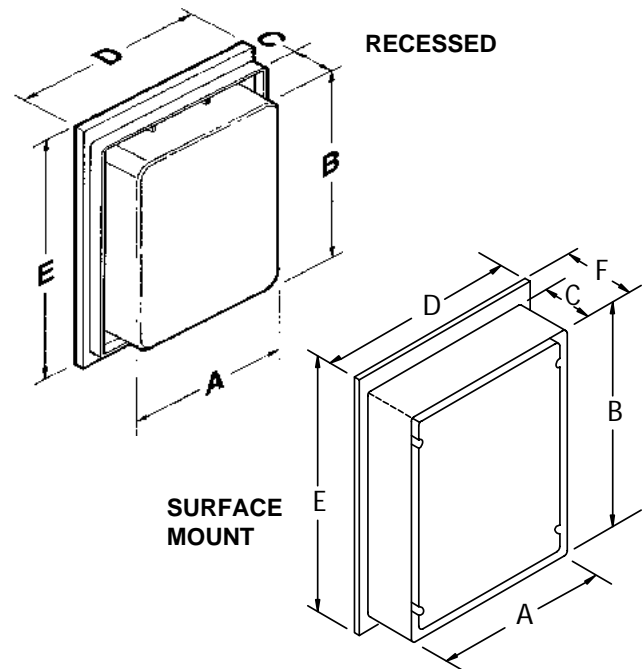
Cabinet shall be reversible for left-hand or right-hand installation.

**RECESSED CABINETS**

MODEL NO.	WALL OPENING			OVERALL SIZE			SHELVES
	A	B	C	D	E		
401ADJ	14	18	3½	16	20		2 (adj.)
407ADJ	14	18	3½	16	22		2 (adj.)
624	13⅞	23⅞	2⅞	16	26		3 (fixed)

**SURFACE MOUNT CABINET**

MODEL NO.	BODY SIZE			OVERALL SIZE			SHELVES
	A	B	C	D	E	F	
614	15⅝	19⅝	3⅝	16¼	22¼	4¼	2 (fixed)



Broan-NuTone LLC, 926 West State Street, Hartford, WI 53027 (1-800-637-1453)

REFERENCE	QTY.	REMARKS	Project
			Location
			Architect
			Engineer
			Contractor
			Submitted by <span style="float: right;">Date</span>