

TracPipe[®] PS-II Underground Specification Sheet

SPECIFICATION DATE:							
PROJECT NAME:							
MODEL NUMBERS: FGP-UGP-375 - FGP-UGP-500 - FGP-UGP-750 - FGP-UGP-1000 - FGP-UGP-1250 - FGP-UGP-1500 - FGP-UGP-2000							
<p>A.1 CSST underground and under building slab installations shall be made using the pre-sleeved TracPipe PS-II system or other sleeve configurations meeting code requirements and acceptable to the local administrative authority.</p> <p>A.2 Underground piping shall consist of CSST sleeved with a black integral polyethylene sleeve. The external polyethylene sleeve shall be designed to withstand the superimposed loads. The external protective sleeve shall have internal vent channels lengthwise to direct any leakage along the pipe to the end fittings.</p> <p>A.3 For gas piping under building slabs, Plumbing, Mechanical and Fuel Gas Code requirements shall be followed for encasement within a conduit and venting to the atmosphere. The construction of the pre-sleeved system shall provide the encasement and venting capabilities required by the codes.</p> <p>A.4 Underground fittings may be used within the system. All metallic parts of the buried fittings shall be wrapped in a code-approved manner (e.g. mastic used for wrapping metallic pipe). Underground fittings are not permitted under the slab of a building.</p> <p>A.5 The underground piping system shall be listed by either ICC or IAPMO for use in underground or underground beneath building applications.</p>							
Superimposed Loading Chart							
TracPipe PS-II Size	3/8 inch	1/2 inch	3/4 inch	1 inch	1- 1/4 inch	1-1/2 inch	2 inch
Max. Superimposed Loading <i>psf</i>	9640	7254	5409	4203	3390	2901	2124
<small>NOTES: 1. Super-imposed loading includes all dead load and live load combinations. 2. Maximum buried depth of 36 inches. 3. Soil Density: 120 PCF. 4. Factor of safety used: 4.</small>							
B. Stainless Steel Tubing:							
<p>B.1 Tubing shall be made from 300 series Stainless Steel Strip conforming to ASTM A240.</p> <p>B.2 Tubing shall not be subjected to heat treating or annealing after the corrugation forming operation.</p> <p>B.3 Tubing shall be suitable for operation with fuel gases.</p> <p>B.4 Tubing is rated for 25-PSI.</p> <p>B.5 Tubing must have elevated pressure ratings of 125G for sizes up to 1-1/4 inches for high-pressure applications permitted by the Local Distribution Utility. These elevated pressure ratings shall be demonstrated by test reports from the certification agency.</p>							
C. AutoFlare[®] Mechanical Attachment Fittings:							
<p>C.1 Fittings shall be made from yellow brass.</p> <p>C.2 Fittings shall be equipped with a stainless steel insert to pilot on the tubing ID and provide a reliable flaring operation.</p> <p>C.3 Fittings are tested and listed by CSA International for concealed use.</p> <p>C.4 Fittings are available in straight, straight reducer, tee, reducer tee and coupling configurations.</p> <p>C.5 Fittings shall provide a metal-to-metal seal (no gaskets).</p> <p>C.6 Fittings shall be supplied with a plastic containment coupling and 1/4 inch NPT vent port, to provide venting as required.</p>							
D. Bonding:							
<p>D.1 There are no additional bonding requirements for TracPipe[®] Ps-II imposed by the manufacturer's installation instructions. The piping system is to be bonded in accordance with the National Electrical Code NFPA 70 Article 250.104, and any local requirements which may be in excess of the manufacturers requirements.</p> <p>D.2 Tubing runs shall be installed with a bend radius not exceeding those established by the manufacturer.</p> <p>D.3 Where required by the AHD the bonding clamp must be attached to the brass AutoFlare[®] fitting adapter (adjacent to the pipe thread area –see illustration below) or to a black pipe component (pipe or fitting) located in the same electrically continuous gas piping system. The corrugated stainless steel portion of the gas piping system SHALL NOT be used as the bonding attachment point under any circumstances.</p>							

TracPipe® PS-II Underground Specification Sheet

Continued

D. Bonding: (cont)

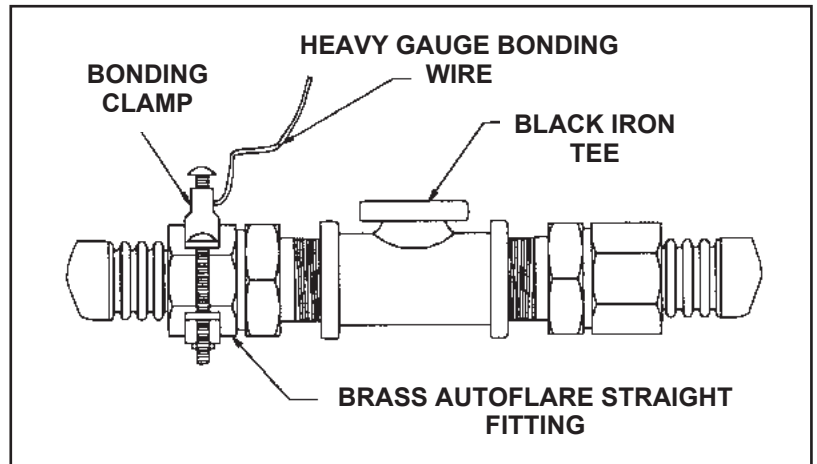


Diagram is for illustration purposes only.
Bonding wire attachment when required by local code.