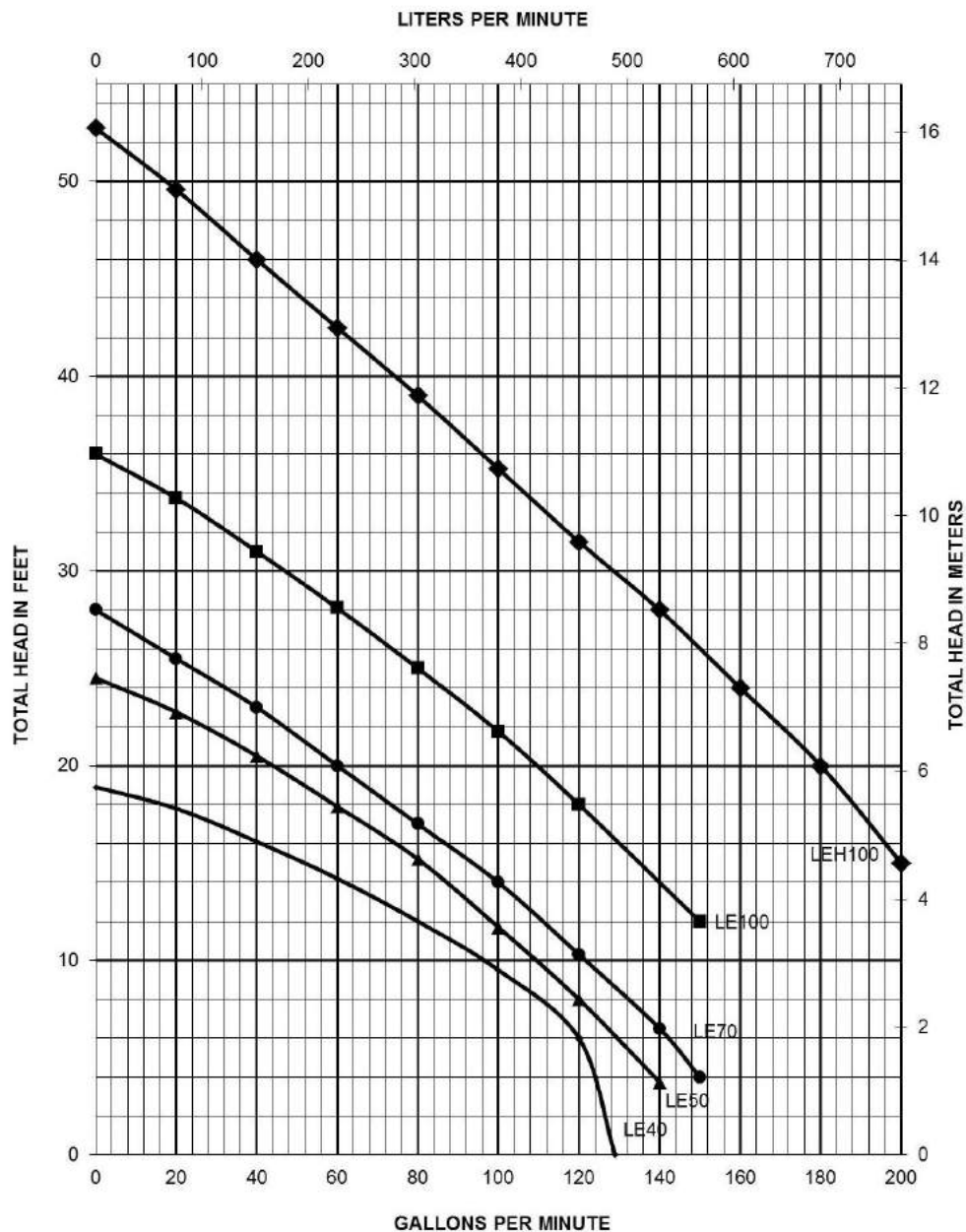
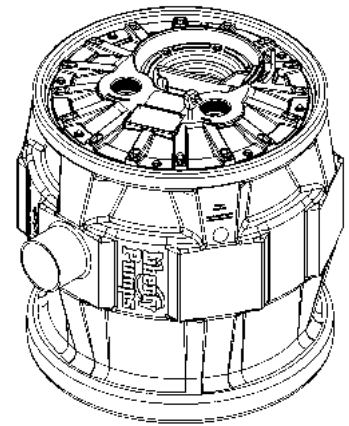


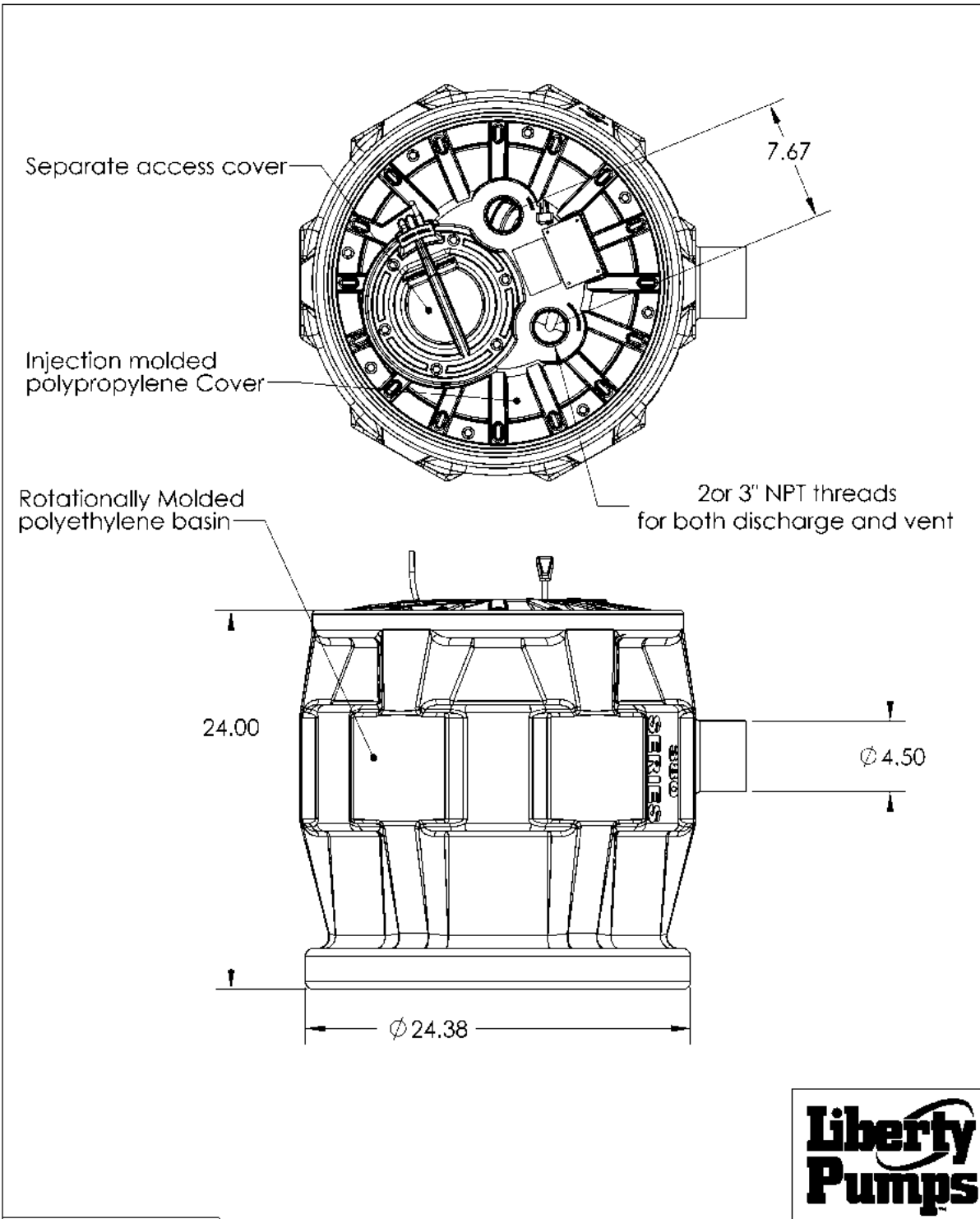


# Product Specifications

## P380-Series Submersible Sewage Simplex Package



# P380-Series Dimensional Data

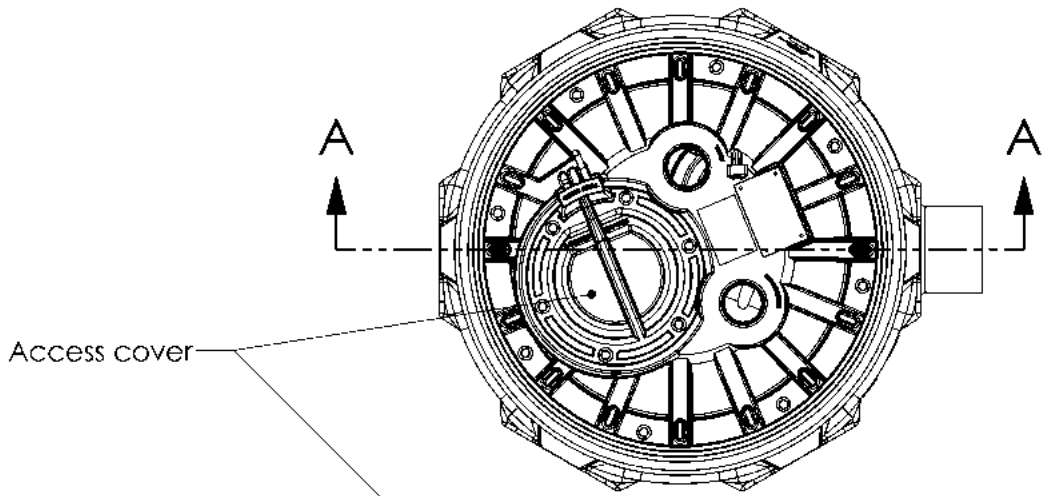


**PROPRIETARY AND CONFIDENTIAL**  
 THE INFORMATION CONTAINED IN THIS DRAWING IS THE SOLE PROPERTY OF LIBERTY PUMPS. ANY REPRODUCTION IN PART OR AS A WHOLE WITHOUT THE WRITTEN PERMISSION OF LIBERTY PUMPS IS PROHIBITED.

APPLICATION: \_\_\_\_\_ DO NOT SCALE DRAWING

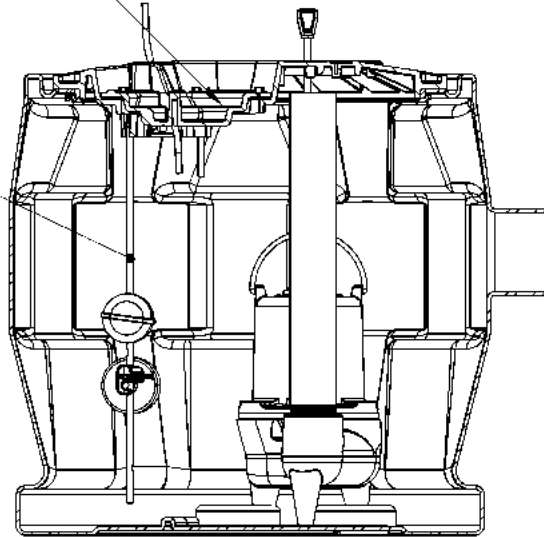
|                         |                    |               |  |
|-------------------------|--------------------|---------------|--|
| P380 SERIES DIMENSIONAL |                    |               |  |
| DWG. NO.                |                    |               |  |
| REV. <b>A</b>           | DATE:              | REV. <b>A</b> |  |
| SCALE: 4                | WEIGHT: <b>LBS</b> | SHEET 1 OF 1  |  |





Access cover

QuickTree® float system  
Allows removal of floats  
without pulling the pump



SECTION A-A



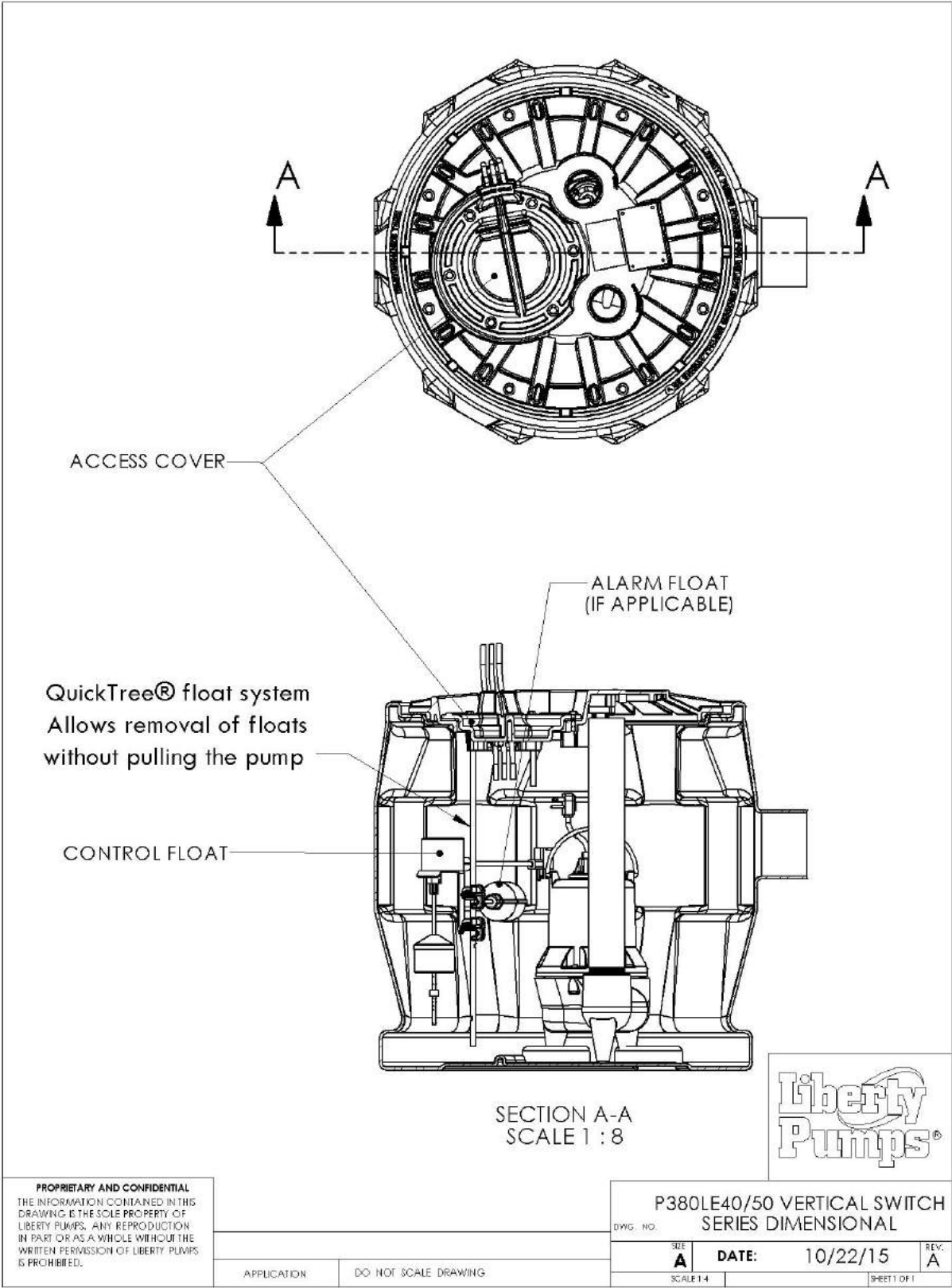
**PROPRIETARY AND CONFIDENTIAL**  
THE INFORMATION CONTAINED IN THIS  
DRAWING IS THE SOLE PROPERTY OF  
LIBERTY PUMPS. ANY REPRODUCTION  
IN PART OR AS A WHOLE WITHOUT THE  
WRITTEN PERMISSION OF LIBERTY PUMPS  
IS PROHIBITED.

DWG. NO. P380 SERIES DIMENSIONAL

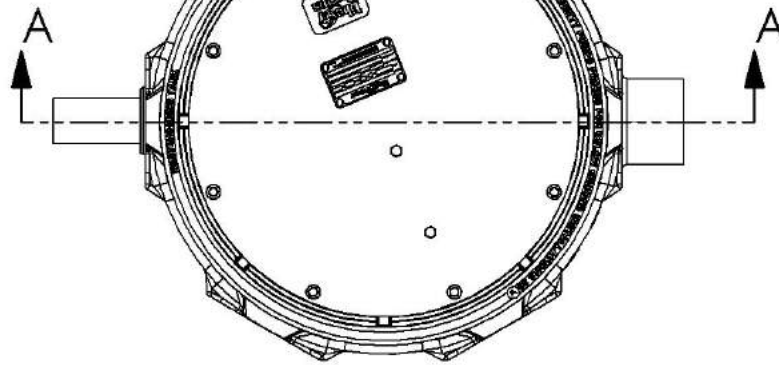
REV. **A** DATE: **A**

APPLICATION DO NOT SCALE DRAWING

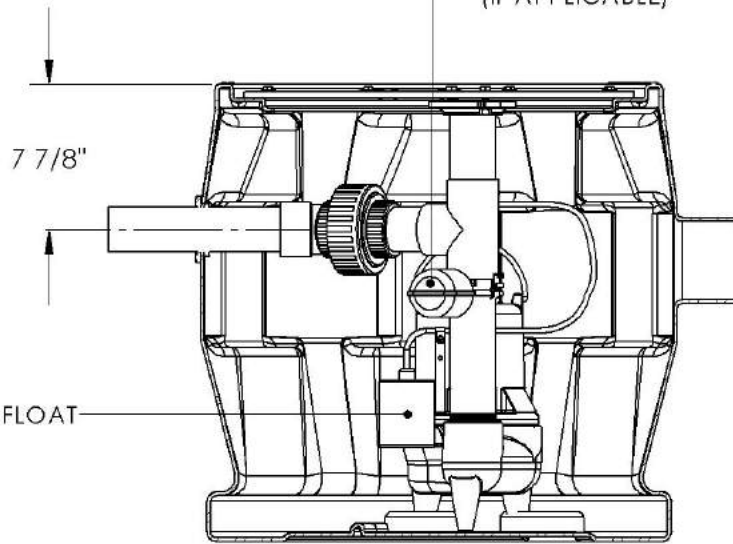
SCALE: 4 WEIGHT: LBS SHEET 1 OF 1



BLANK  
POLYETHYLENE  
COVER



ALARM FLOAT  
MOUNTED TO  
DISCHARGE PIPE  
(IF APPLICABLE)



CONTROL FLOAT

7 7/8"

SECTION A-A  
SCALE 1 : 8

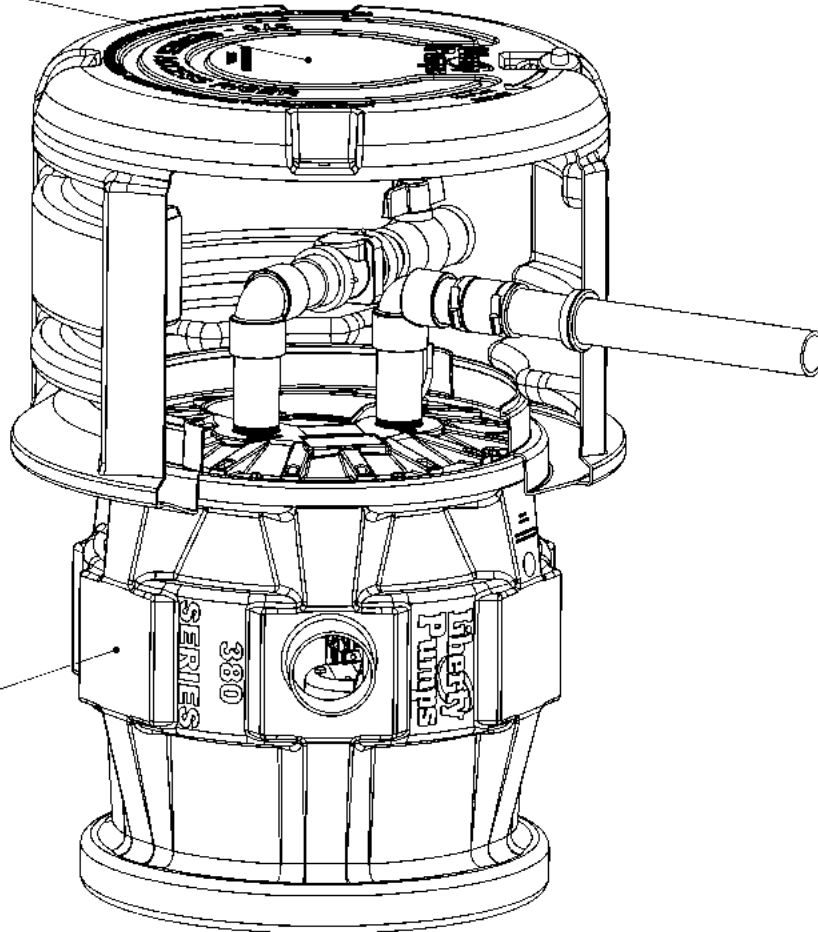


**PROPRIETARY AND CONFIDENTIAL**  
THE INFORMATION CONTAINED IN THE  
DRAWING IS THE SOLE PROPERTY OF  
LIBERTY PUMPS. ANY REPRODUCTION  
IN PART OR AS A WHOLE WITHOUT THE  
WRITTEN PERMISSION OF LIBERTY PUMPS  
IS PROHIBITED.

|             |                      |
|-------------|----------------------|
| APPLICATION | DO NOT SCALE DRAWING |
|-------------|----------------------|

|  |                  |                |              |
|--|------------------|----------------|--------------|
| P380LE40/50 SIDE DISCHARGE<br>SERIES DIMENSIONAL |                  |                |              |
| DWG. NO.   | SIZE<br><b>A</b> | DATE: 10/22/15 | REV<br>A     |
|  | SCALE: 1:4       |                | SHEET 1 OF 1 |

OPTIONAL  
ARC18 RISER



P380 SYSTEM



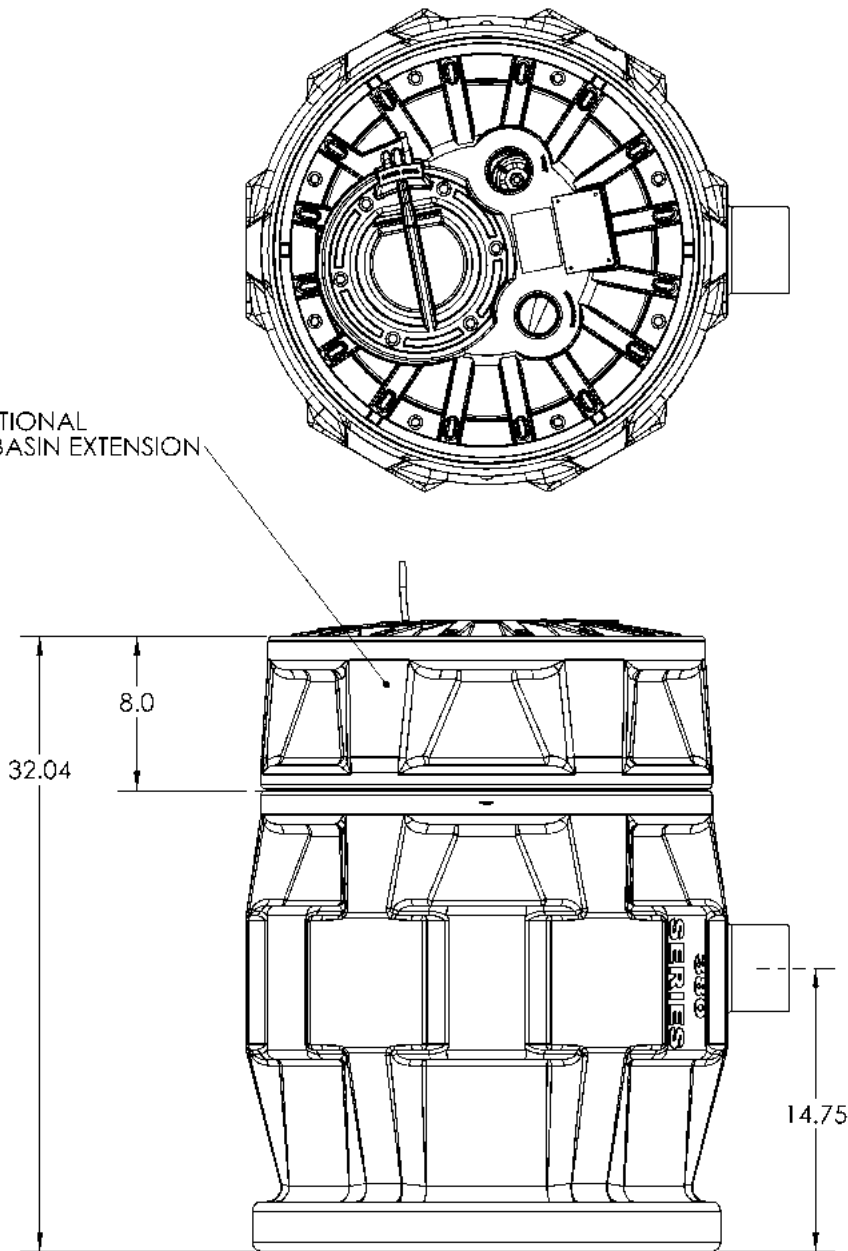
**PROPRIETARY AND CONFIDENTIAL**  
THE INFORMATION CONTAINED IN THIS  
DRAWING IS THE SOLE PROPERTY OF  
LIBERTY PUMPS. ANY REPRODUCTION  
IN PART OR AS A WHOLE, WITHOUT THE  
WRITTEN PERMISSION OF LIBERTY PUMPS  
IS PROHIBITED.

APPLICATION DO NOT SCALE DRAWING

DWG. NO. **P380 SERIES W/ RISER**  
REV. **A** DATE: REV. **A**  
SCALE: **4** WEIGHT: **LBS** SHEET **1** OF **1**



OPTIONAL  
8" BASIN EXTENSION



**PROPRIETARY AND CONFIDENTIAL**  
THE INFORMATION CONTAINED IN THIS  
DRAWING IS THE SOLE PROPERTY OF  
LIBERTY PUMPS. ANY REPRODUCTION  
IN PART OR AS A WHOLE WITHOUT THE  
WRITTEN PERMISSION OF LIBERTY PUMPS  
IS PROHIBITED.

APPLICATION DO NOT SCALE DRAWING

DWG. NO. P380 SERIES W/ EXTENSION

|               |                    |               |
|---------------|--------------------|---------------|
| REV. <b>A</b> | DATE:              | REV. <b>A</b> |
| SCALE: 4      | WEIGHT: <b>LBS</b> | SHEET 1 OF 1  |



## P380-Series Electrical Data

| MODEL        | HP   | VOLTAGE | PHASE | SF   | FULL LOAD AMPS | LOCKED ROTOR AMPS | THERMAL OVERLOAD TEMP | STATOR WINDING CLASS | DISCHARGE | AUTOMATIC SYSTEM |
|--------------|------|---------|-------|------|----------------|-------------------|-----------------------|----------------------|-----------|------------------|
| P382LE41     | 4/10 | 115     | 1     | 1.00 | 12             | 22.5              | 105°C 221°F           | B                    | 2"        | YES              |
| P382LE41SD-2 | 4/10 | 115     | 1     | 1.00 | 12             | 22.5              | 105°C 221°F           | B                    | 2" (SIDE) | YES              |
| P382LE41V    | 4/10 | 115     | 1     | 1.00 | 12             | 22.5              | 105°C 221°F           | B                    | 2"        | YES (VERTICAL)   |
| P382LE51     | 1/2  | 115     | 1     | 1.00 | 12             | 22.5              | 105°C 221°F           | B                    | 2"        | YES              |
| P382LE51SD-2 | 1/2  | 115     | 1     | 1.00 | 12             | 22.5              | 105°C 221°F           | B                    | 2" (SIDE) | YES              |
| P382LE51V    | 1/2  | 115     | 1     | 1.00 | 12             | 22.5              | 105°C 221°F           | B                    | 2"        | YES (VERTICAL)   |
| P382LE52     | 1/2  | 208-230 | 1     | 1.00 | 6.8            | 12                | 105°C 221°F           | B                    | 2"        | YES              |
| P382LE71     | 3/4  | 115     | 1     | 1.00 | 12             | 28                | 105°C 221°F           | B                    | 2"        | YES              |
| P382LE72     | 3/4  | 208-230 | 1     | 1.00 | 6              | 13                | 105°C 221°F           | B                    | 2"        | YES              |
| P382LE102    | 1    | 208-230 | 1     | 1.00 | 8              | 21                | 105°C 221°F           | B                    | 2"        | YES              |
| P382LEH102   | 1    | 230     | 1     | 1.00 | 12             | 28.6              | 120°C 248°F           | B                    | 2"        | YES              |
| P383LE41     | 4/10 | 115     | 1     | 1.00 | 12             | 22.5              | 105°C 221°F           | B                    | 3"        | YES              |
| P383LE51     | 1/2  | 115     | 1     | 1.00 | 12             | 22.5              | 105°C 221°F           | B                    | 3"        | YES              |
| P383LE52     | 1/2  | 208-230 | 1     | 1.00 | 6.8            | 12                | 105°C 221°F           | B                    | 3"        | YES              |
| P383LE71     | 3/4  | 115     | 1     | 1.00 | 12             | 28                | 105°C 221°F           | B                    | 3"        | YES              |
| P383LE72     | 3/4  | 208-230 | 1     | 1.00 | 6              | 13                | 105°C 221°F           | B                    | 3"        | YES              |
| P383LE102    | 1    | 208-230 | 1     | 1.00 | 8              | 21                | 105°C 221°F           | B                    | 3"        | YES              |
| P383LEH102   | 1    | 230     | 1     | 1.00 | 12             | 28.6              | 120°C 248°F           | B                    | 3"        | YES              |



## P380-Series Technical Data

---

|                      |  |
|----------------------|--|
| TANK                 | POLYETHYLENE *                                   |
| COVER                | POLYPROPYLENE<br>(HDPE ON SIDE DISCHARGE MODELS) |
| GUIDE RAIL           | NONE – PUMPS PULL OUT WITH COVER                 |
| INLET HUB            | INCORPORATED INTO TANK                           |
| DISCHARGE PIPE       | SCHEDULE 80 PVC                                  |
| CONTROLS             | PIGGY BACK FLOATS                                |
| IMPELLER             | SEE INDIVIDUAL PUMP MODELS SPEC SHEET            |
| SOLIDS HANDLING SIZE | SEE INDIVIDUAL PUMP MODELS SPEC SHEET            |
| PAINT                | SEE INDIVIDUAL PUMP MODELS SPEC SHEET            |
| MAX LIQUID TEMP      | SEE INDIVIDUAL PUMP MODELS SPEC SHEET            |
| MAX STATOR TEMP      | SEE INDIVIDUAL PUMP MODELS SPEC SHEET            |
| THERMAL OVERLOAD     | SEE INDIVIDUAL PUMP MODELS SPEC SHEET            |
| POWER CORD TYPE      | SEE INDIVIDUAL PUMP MODELS SPEC SHEET            |
| MOTOR HOUSING        | SEE INDIVIDUAL PUMP MODELS SPEC SHEET            |
| VOLUTE               | SEE INDIVIDUAL PUMP MODELS SPEC SHEET            |
| SHAFT                | SEE INDIVIDUAL PUMP MODELS SPEC SHEET            |
| HARDWARE             | SEE INDIVIDUAL PUMP MODELS SPEC SHEET            |
| ORINGS               | SEE INDIVIDUAL PUMP MODELS SPEC SHEET            |
| MECHANICAL SEAL      | SEE INDIVIDUAL PUMP MODELS SPEC SHEET            |
| MIN BEARING LIFE     | SEE INDIVIDUAL PUMP MODELS SPEC SHEET            |

\*XL MODELS UTILIZE A UPC LISTED  
POLYETHYLENE BASIN WHICH  
MEETS IAPMO PS52 10' STACK TEST

## P380-Series Specifications

---

**See individual pump specification for more details on the pumps.**

### WARRANTY

Standard limited warranty shall be 3 years.