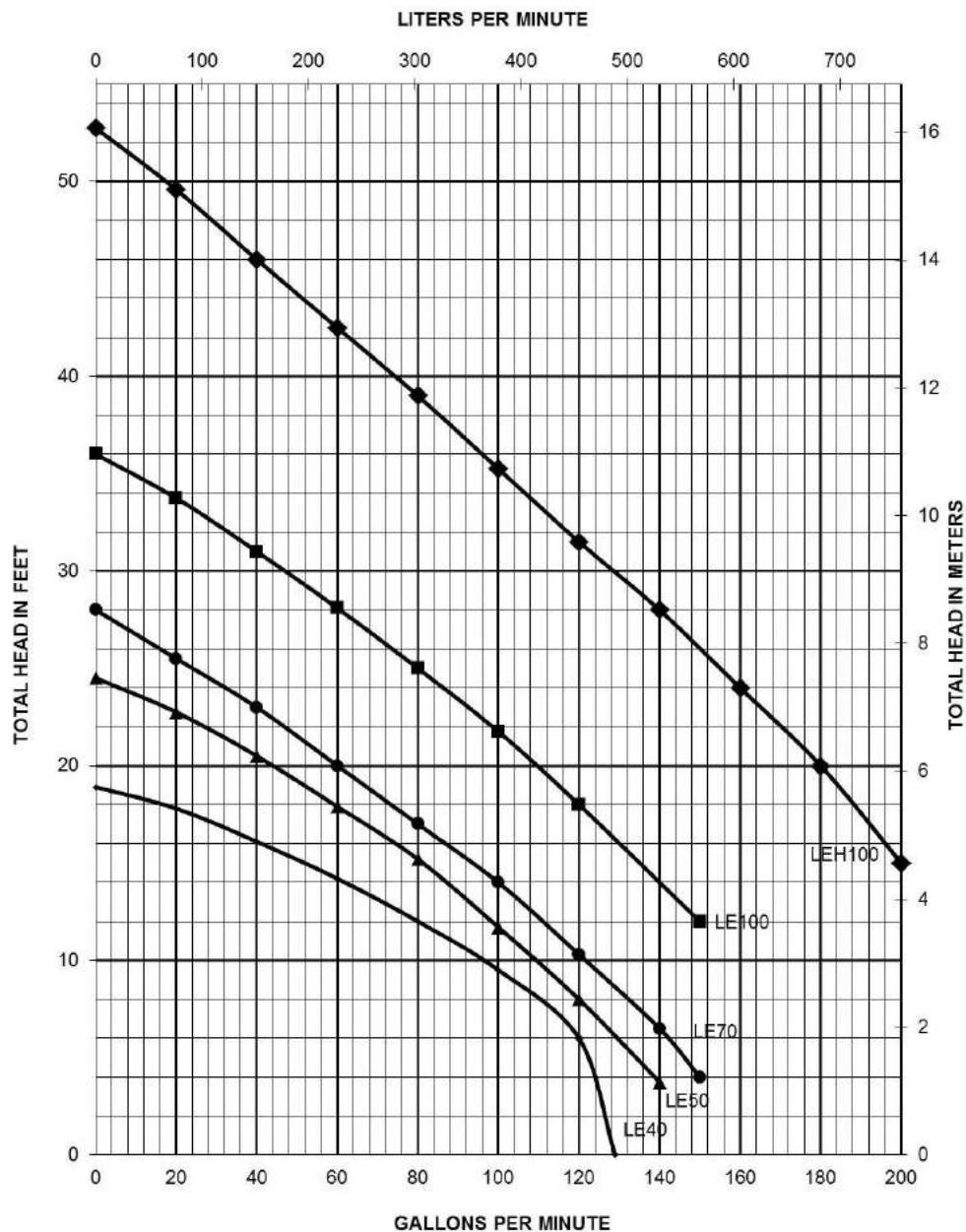
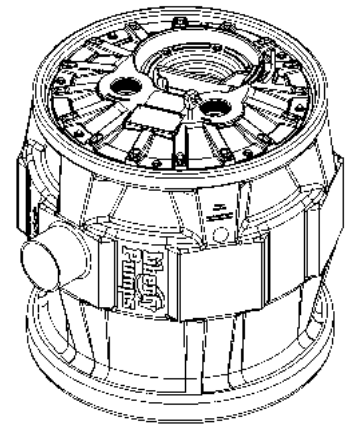


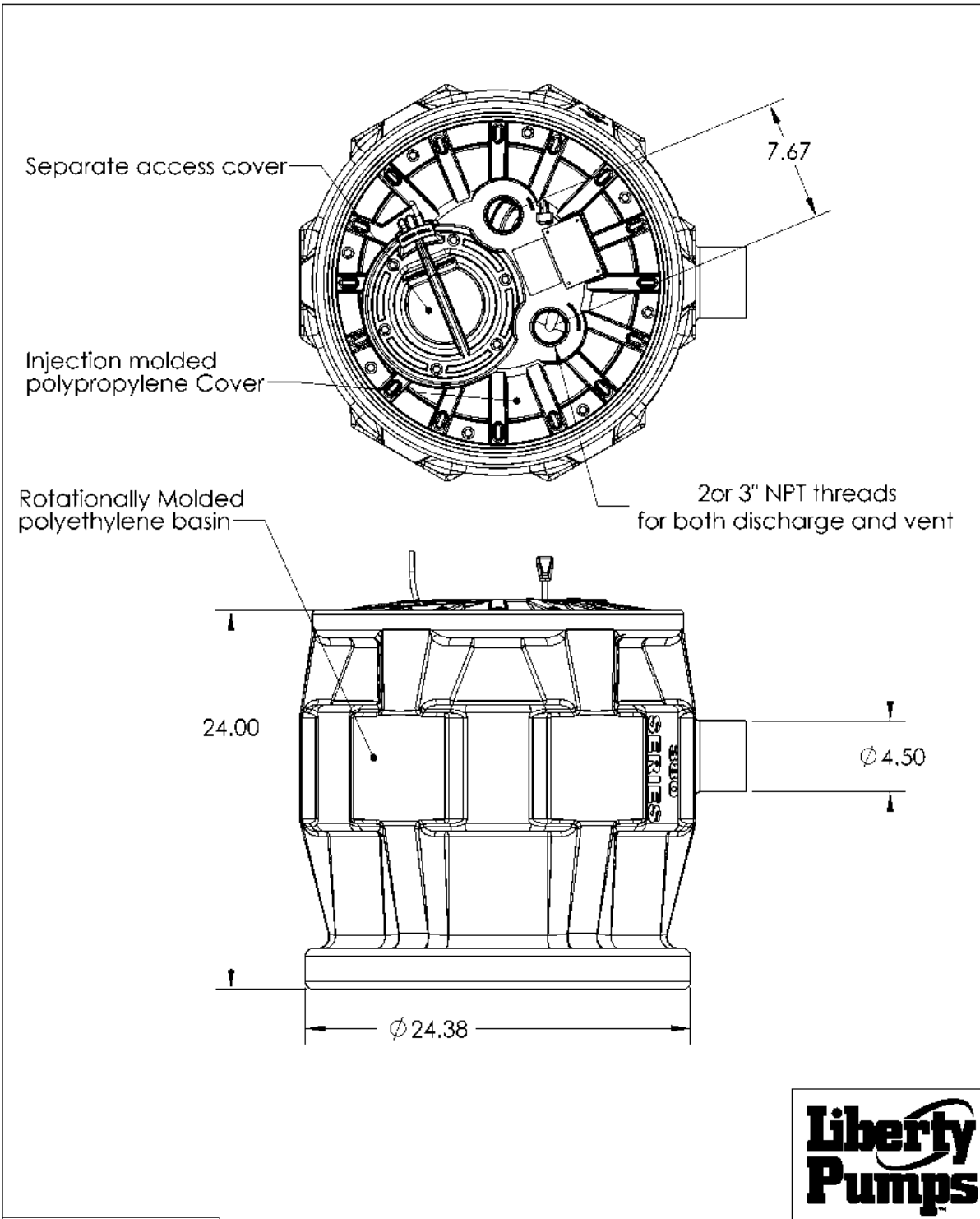


Product Specifications

P380-Series Submersible Sewage Simplex Package



P380-Series Dimensional Data

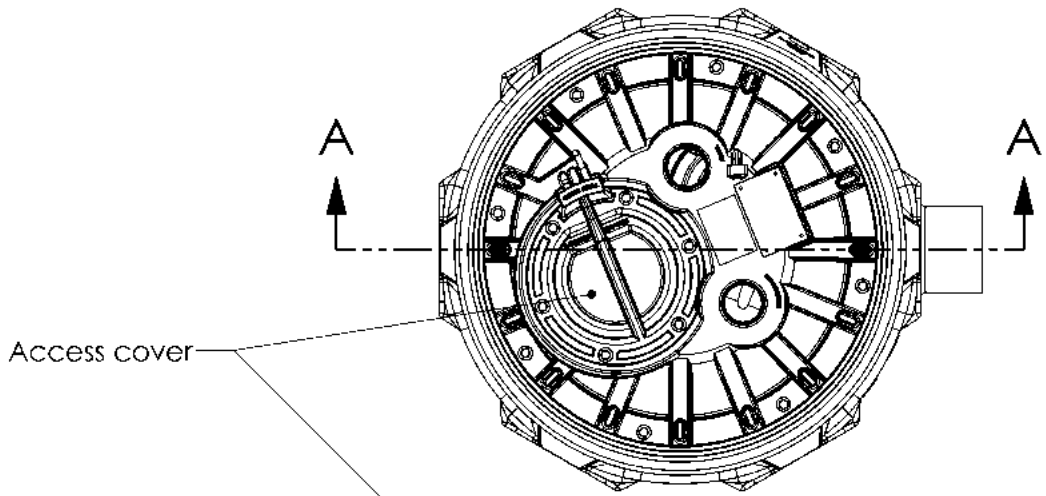


PROPRIETARY AND CONFIDENTIAL
 THE INFORMATION CONTAINED IN THIS DRAWING IS THE SOLE PROPERTY OF LIBERTY PUMPS. ANY REPRODUCTION IN PART OR AS A WHOLE WITHOUT THE WRITTEN PERMISSION OF LIBERTY PUMPS IS PROHIBITED.

APPLICATION: _____ DO NOT SCALE DRAWING

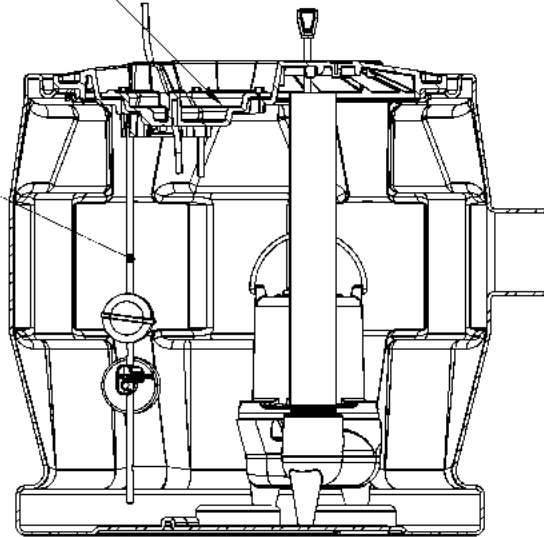
P380 SERIES DIMENSIONAL			
<small>DWG. NO.</small>			
<small>REV.</small> A	<small>DATE:</small>	<small>REV.</small> A	
<small>SCALE:</small> 4	<small>WEIGHT:</small> LBS	<small>SHEET:</small> 1 OF 1	





Access cover

QuickTree® float system
Allows removal of floats
without pulling the pump



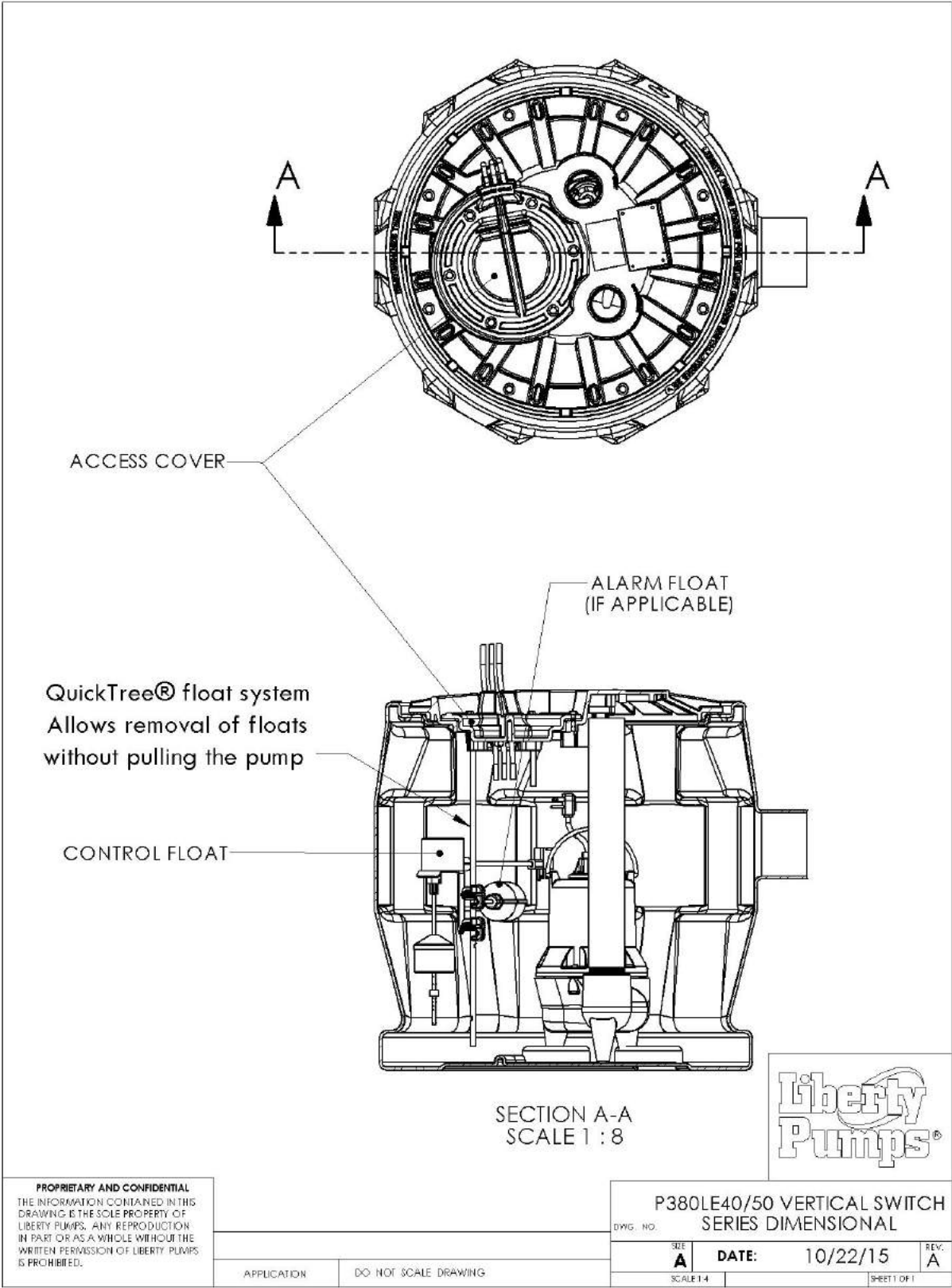
SECTION A-A



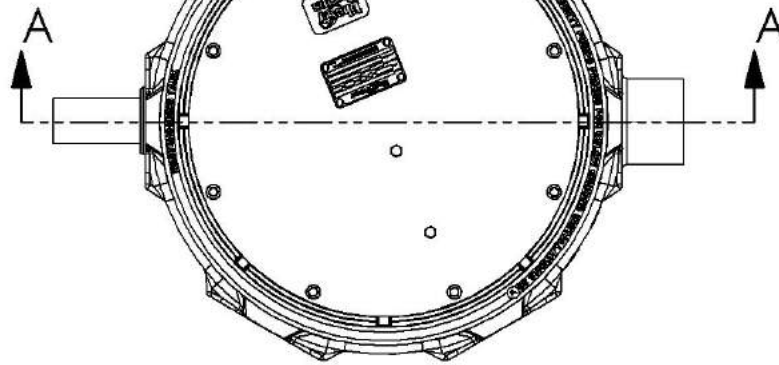
PROPRIETARY AND CONFIDENTIAL
THE INFORMATION CONTAINED IN THIS
DRAWING IS THE SOLE PROPERTY OF
LIBERTY PUMPS. ANY REPRODUCTION
IN PART OR AS A WHOLE WITHOUT THE
WRITTEN PERMISSION OF LIBERTY PUMPS
IS PROHIBITED.

APPLICATION _____ DO NOT SCALE DRAWING

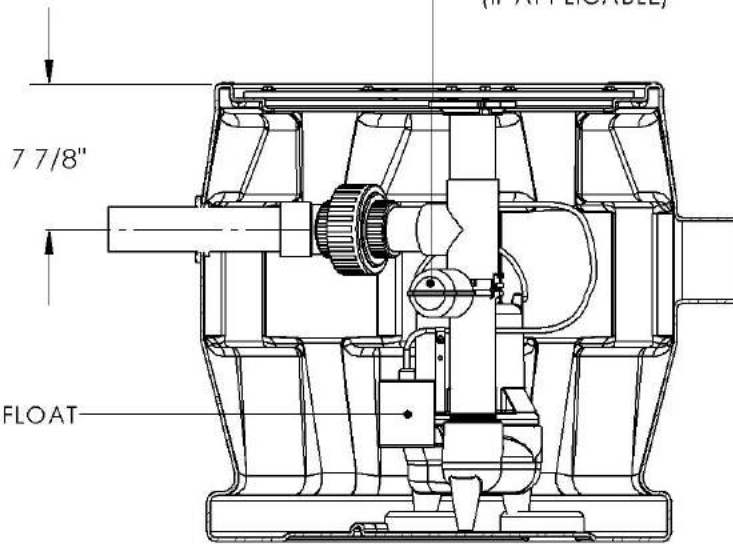
DWG. NO. P380 SERIES DIMENSIONAL			
REV. A	DATE:	REV. A	
SCALE: 4	WEIGHT:	LBS	SHEET 1 OF 1



BLANK
POLYETHYLENE
COVER



ALARM FLOAT
MOUNTED TO
DISCHARGE PIPE
(IF APPLICABLE)



CONTROL FLOAT

7 7/8"

SECTION A-A
SCALE 1 : 8

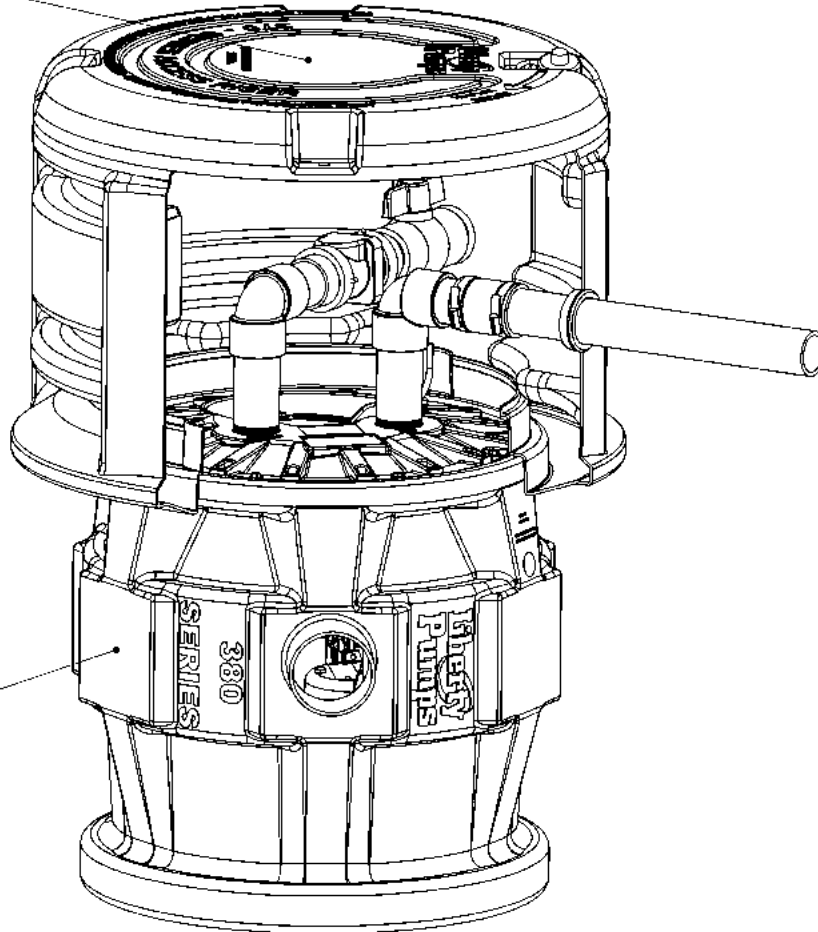


PROPRIETARY AND CONFIDENTIAL
THE INFORMATION CONTAINED IN THE
DRAWING IS THE SOLE PROPERTY OF
LIBERTY PUMPS. ANY REPRODUCTION
IN PART OR AS A WHOLE WITHOUT THE
WRITTEN PERMISSION OF LIBERTY PUMPS
IS PROHIBITED.

APPLICATION	DO NOT SCALE DRAWING
-------------	----------------------

P380LE40/50 SIDE DISCHARGE SERIES DIMENSIONAL			
DWG. NO.	SIZE A	DATE: 10/22/15	REV A
	SCALE: 1:4		SHEET 1 OF 1

OPTIONAL
ARC18 RISER



P380 SYSTEM



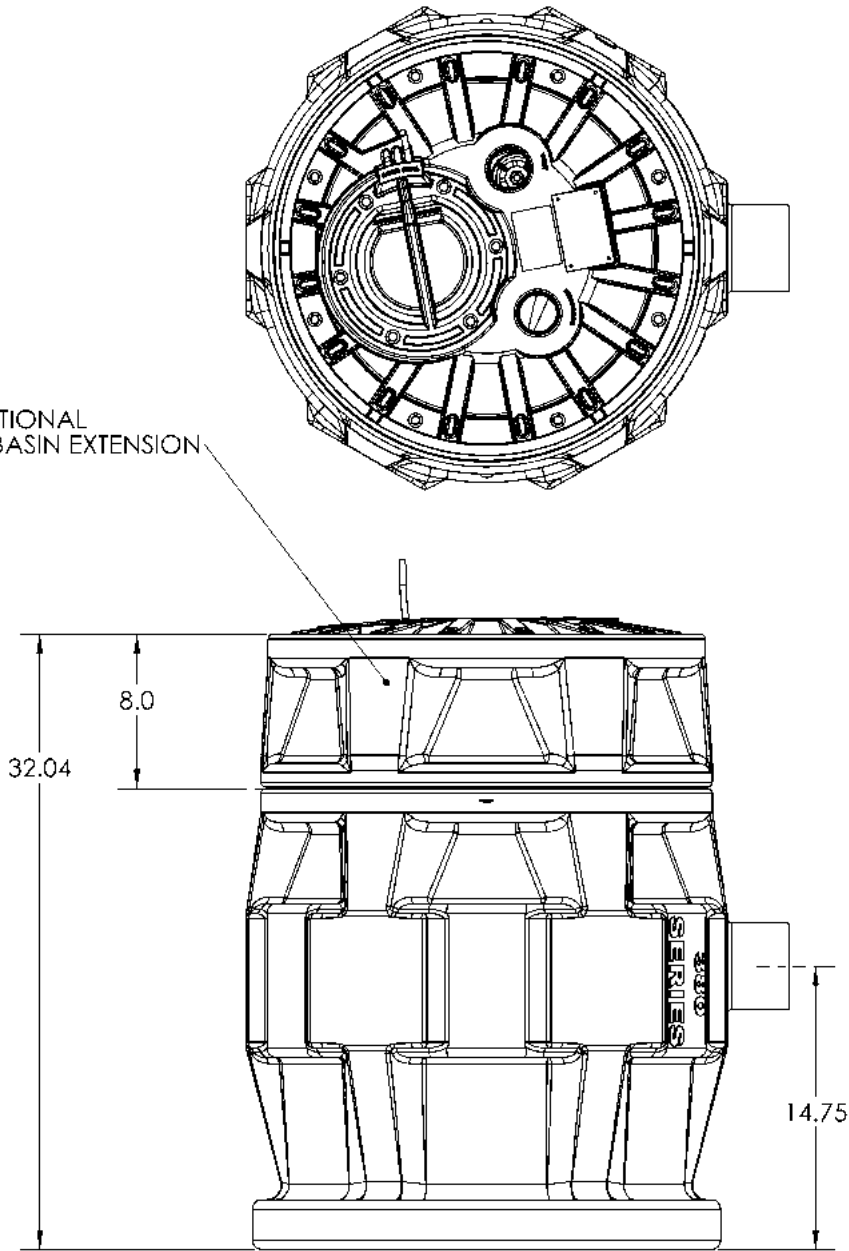
PROPRIETARY AND CONFIDENTIAL
THE INFORMATION CONTAINED IN THIS
DRAWING IS THE SOLE PROPERTY OF
LIBERTY PUMPS. ANY REPRODUCTION
IN PART OR AS A WHOLE, WITHOUT THE
WRITTEN PERMISSION OF LIBERTY PUMPS
IS PROHIBITED.

APPLICATION DO NOT SCALE DRAWING

DWG. NO. **P380 SERIES W/ RISER**
REV. **A** DATE: REV. **A**
SCALE: **4** WEIGHT: **LBS** SHEET **1** OF **1**



OPTIONAL
8" BASIN EXTENSION



PROPRIETARY AND CONFIDENTIAL
THE INFORMATION CONTAINED IN THIS
DRAWING IS THE SOLE PROPERTY OF
LIBERTY PUMPS. ANY REPRODUCTION
IN PART OR AS A WHOLE, WITHOUT THE
WRITTEN PERMISSION OF LIBERTY PUMPS
IS PROHIBITED.

APPLICATION: _____ DO NOT SCALE DRAWING

DWG. NO. P380 SERIES W/ EXTENSION		REV. A
SCALE: 4	DATE: _____	REV. A
WEIGHT: LBS	SHEET 1 OF 1	



P380-Series Electrical Data

MODEL	HP	VOLTAGE	PHASE	SF	FULL LOAD AMPS	LOCKED ROTOR AMPS	THERMAL OVERLOAD TEMP	STATOR WINDING CLASS	DISCHARGE	AUTOMATIC SYSTEM
P382LE41	4/10	115	1	1.00	12	22.5	105°C 221°F	B	2"	YES
P382LE41SD-2	4/10	115	1	1.00	12	22.5	105°C 221°F	B	2" (SIDE)	YES
P382LE41V	4/10	115	1	1.00	12	22.5	105°C 221°F	B	2"	YES (VERTICAL)
P382LE51	1/2	115	1	1.00	12	22.5	105°C 221°F	B	2"	YES
P382LE51SD-2	1/2	115	1	1.00	12	22.5	105°C 221°F	B	2" (SIDE)	YES
P382LE51V	1/2	115	1	1.00	12	22.5	105°C 221°F	B	2"	YES (VERTICAL)
P382LE52	1/2	208-230	1	1.00	6.8	12	105°C 221°F	B	2"	YES
P382LE71	3/4	115	1	1.00	12	28	105°C 221°F	B	2"	YES
P382LE72	3/4	208-230	1	1.00	6	13	105°C 221°F	B	2"	YES
P382LE102	1	208-230	1	1.00	8	21	105°C 221°F	B	2"	YES
P382LEH102	1	230	1	1.00	12	28.6	120°C 248°F	B	2"	YES
P383LE41	4/10	115	1	1.00	12	22.5	105°C 221°F	B	3"	YES
P383LE51	1/2	115	1	1.00	12	22.5	105°C 221°F	B	3"	YES
P383LE52	1/2	208-230	1	1.00	6.8	12	105°C 221°F	B	3"	YES
P383LE71	3/4	115	1	1.00	12	28	105°C 221°F	B	3"	YES
P383LE72	3/4	208-230	1	1.00	6	13	105°C 221°F	B	3"	YES
P383LE102	1	208-230	1	1.00	8	21	105°C 221°F	B	3"	YES
P383LEH102	1	230	1	1.00	12	28.6	120°C 248°F	B	3"	YES

P380-Series Technical Data

TANK	POLYETHYLENE *
COVER	POLYPROPYLENE (HDPE ON SIDE DISCHARGE MODELS)
GUIDE RAIL	NONE – PUMPS PULL OUT WITH COVER
INLET HUB	INCORPORATED INTO TANK
DISCHARGE PIPE	SCHEDULE 80 PVC
CONTROLS	PIGGY BACK FLOATS
IMPELLER	SEE INDIVIDUAL PUMP MODELS SPEC SHEET
SOLIDS HANDLING SIZE	SEE INDIVIDUAL PUMP MODELS SPEC SHEET
PAINT	SEE INDIVIDUAL PUMP MODELS SPEC SHEET
MAX LIQUID TEMP	SEE INDIVIDUAL PUMP MODELS SPEC SHEET
MAX STATOR TEMP	SEE INDIVIDUAL PUMP MODELS SPEC SHEET
THERMAL OVERLOAD	SEE INDIVIDUAL PUMP MODELS SPEC SHEET
POWER CORD TYPE	SEE INDIVIDUAL PUMP MODELS SPEC SHEET
MOTOR HOUSING	SEE INDIVIDUAL PUMP MODELS SPEC SHEET
VOLUTE	SEE INDIVIDUAL PUMP MODELS SPEC SHEET
SHAFT	SEE INDIVIDUAL PUMP MODELS SPEC SHEET
HARDWARE	SEE INDIVIDUAL PUMP MODELS SPEC SHEET
ORINGS	SEE INDIVIDUAL PUMP MODELS SPEC SHEET
MECHANICAL SEAL	SEE INDIVIDUAL PUMP MODELS SPEC SHEET
MIN BEARING LIFE	SEE INDIVIDUAL PUMP MODELS SPEC SHEET

*XL MODELS UTILIZE A UPC LISTED
POLYETHYLENE BASIN WHICH
MEETS IAPMO PS52 10' STACK TEST

P380-Series Specifications

See individual pump specification for more details on the pumps.

WARRANTY

Standard limited warranty shall be 3 years.