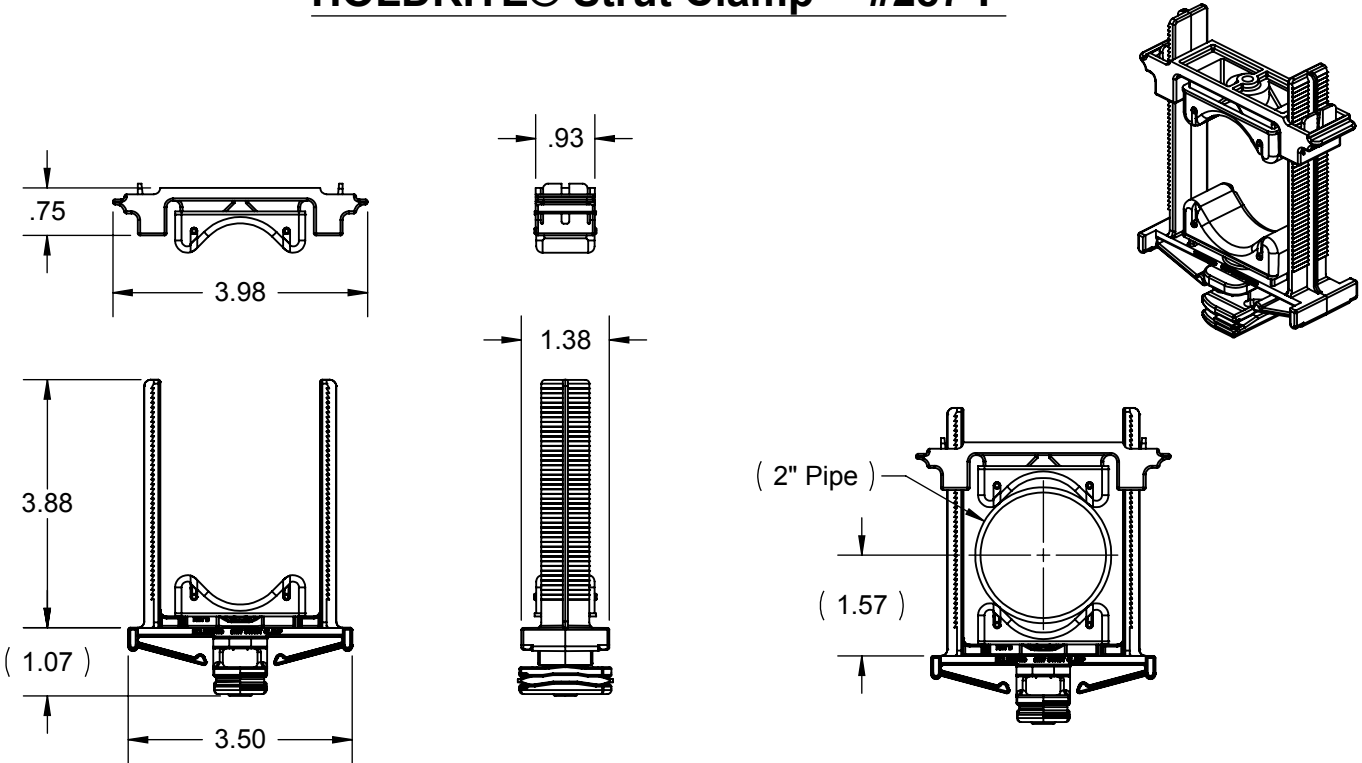


PRODUCT SPECIFICATION DRAWING

HOLDRITE® Strut Clamp™ #287-P



ALL DIMENSIONS IN INCHES

The HOLDRITE® Acoustical Strut Clamp™ #287-P is a strong, sound rated variable closure clamp. Two acoustical inserts isolate the pipe from the support structure, reducing piping noise and vibration, while allowing normal pipe expansion and contraction. Clamp supports 1" to 2" CTS/IPS pipe sizes. Supports Copper, PEX, CPVC tubing, conduit, etc. Framework complies with UL94V-2 fire rating.

Product Information:

- Material:
 Top & Bottom Clamp: Nylon, medium blue, FR UL94V-2
 Pads: TPR, natural (off-white), 50 shore A
- Temperature range: -10°F to +180°F
- Load rating: 75 lbs in suspended mode, 300 lbs maximum in top mount
- UPC / IPC / IAPMO listed



THIS INFORMATION IS PROPRIETARY TO HOLDRITE AND IS SUBJECT TO CHANGE WITHOUT NOTICE. IT MAY NOT BE REPRODUCED IN PART OR WHOLE WITHOUT WRITTEN AUTHORIZATION.

HOLDRITE®

CONVERTING MAKESHIFT METHODS INTO ENGINEERED SOLUTIONSSM
 800-321-0316 OR 760-744-6944 / FAX: 760-744-0507 / WWW.HOLDRITE.COM
 spec_287-P_RevM

Product Submittal	
Job Name:	
Date:	
Part Number:	Qty:
Architect / Owner:	
Contractor:	
Notes:	