



PF87C / PF88C Series Two-Piece Gas Ball Valve

Product Features

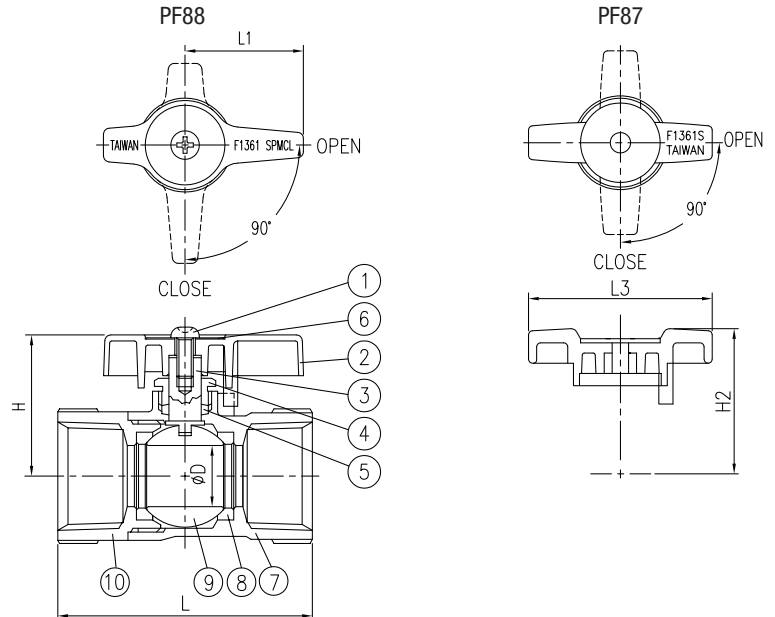
- For indoor/outdoor use
- 400 PSI CWP rated
- 1/2 PSI for indoor appliance connections per ANSI Z21.15 and CGA 9.1a
- 5 PSI for indoor shutoff per CGA 91-002 and ASME B16.44



PF88CD

Product Specifications

| No. | Item | Pieces | Material | Spec |
|-----|------------------|--------|-----------------|--------|
| 1 | Screw | 1 | AISI-1010 | N/A |
| 2 | Handle | 1 | B86-AC41 or B85 | ASTM |
| 3 | Stem | 1 | B16-C36000 | ASTM |
| 4 | Stem Gland Screw | 1 | B16-C36000 | ASTM |
| 5 | Gland Packing | 1 | PTFE | Teflon |
| 6 | Name Plate | 1 | B209-1100 | ASTM |
| 7 | Body | 1 | B124-C37700 | ASTM |
| 8 | Ball Disc Teflon | 2 | PTFE | Teflon |
| 9 | Ball Disc | 1 | B16-C36000 | ASTM |
| 10 | End Plug | 1 | B124-C37700 | ASTM |



| Model Number | Part | Size | L | H | D | H1 | L1* | L2 |
|--------------|-------------------------|------|-------|-------|-------|-------|-------|-------|
| PF87CD | 1/2" Brass T-Handle | 1/2" | 2.17" | 1.30" | 0.39" | N/A | 1.77" | N/A |
| PF87CF | 3/4" Brass T-Handle | 3/4" | 2.44" | 1.42" | 0.59" | N/A | 1.77" | N/A |
| PF87CG | 1" Brass T-Handle | 1" | 2.87" | 1.71" | 0.79" | N/A | 2.76" | N/A |
| PF88CD | 1/2" Brass Lever Handle | 1/2" | 2.17" | 1.22" | 0.39" | 1.46" | 1.14" | 0.52" |
| PF88CF | 3/4" Brass Lever Handle | 3/4" | 2.44" | 1.38" | 0.59" | 1.61" | 1.14" | 0.52" |
| PF88CG | 1" Brass Lever Handle | 1" | 2.87" | 1.65" | 0.79" | 1.89" | 1.57" | 0.67" |

Warranty and Codes

This PROFLO product carries a 1-year limited warranty. AGA, UL, CGA, CSA by ANSI Z21.15.

