

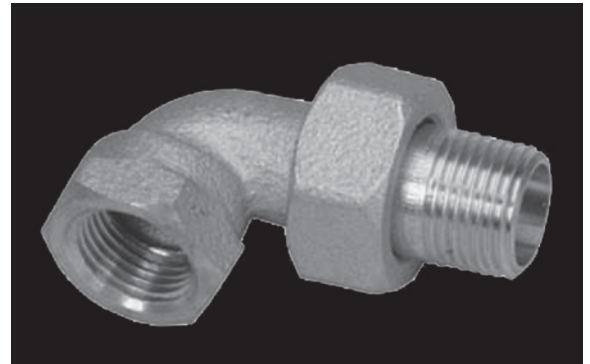
PF438

# Hot Water Union Elbow



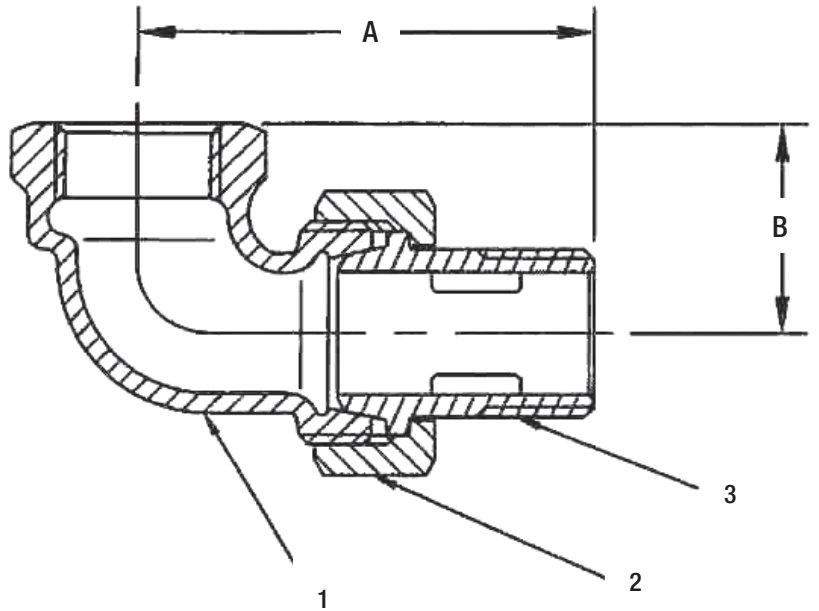
### Product Features

- For use on heating applications
- Forged brass tailpiece
- Working pressure: 15 PSI WSP
- 60 PSI Hotwater, non-shock
- Threads comply with ANSI B1.20.1
- Includes bronze nut and elbow
- Male union
- FIP x MIP connection



PF438D

	Size	A		B	
		in	mm	in	mm
PF438D	1/2"	2.22	56.5	1.04	26.5
PF438F	3/4"	2.48	63.0	1.26	32.0
PF438G	1"	2.87	73.0	1.40	35.5
PF438H	1-1/4"	3.31	84.0	1.85	47.0



No.	Part Name	Material	Spec. ASTM
1	Body	Cast Bronze	B584-C84400
2	Union Nut	Cast Bronze	B584-C84400
3	Tail Piece	Forged Brass	B124-C37700

### Warranty and Codes

This PROFLO product carries a 1-year limited warranty. This product meets ANSI: B 1.20.1