

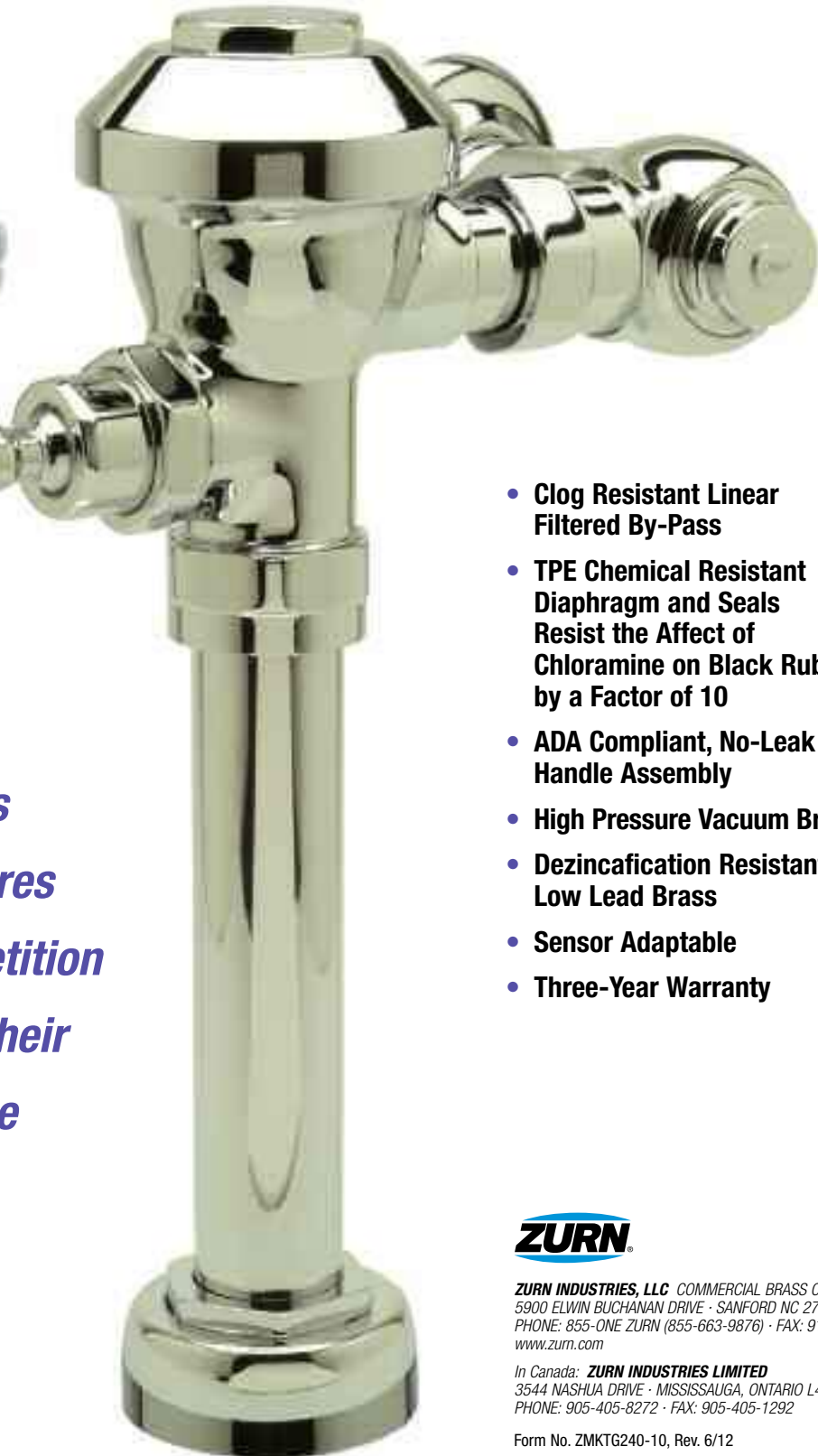
Zurn Aquaflush®

Dependable • Long Lasting • Quality



Aquaflush Chemical and Clog Resistant
Extended Life Diaphragm

*Aquaflush® has
standard features
that the competition
offers only in their
high-priced line
of valves.*



- Clog Resistant Linear Filtered By-Pass
- TPE Chemical Resistant Diaphragm and Seals Resist the Affect of Chloramine on Black Rubber by a Factor of 10
- ADA Compliant, No-Leak Handle Assembly
- High Pressure Vacuum Breaker
- Dezincification Resistant Low Lead Brass
- Sensor Adaptable
- Three-Year Warranty

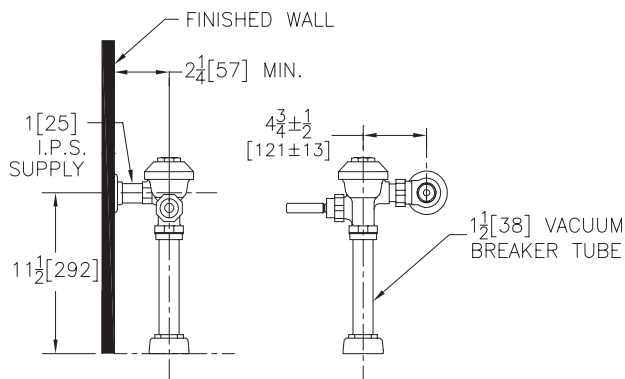
ZURN®

ZURN INDUSTRIES, LLC COMMERCIAL BRASS OPERATION
5900 ELWIN BUCHANAN DRIVE • SANFORD NC 27330
PHONE: 855-ONE ZURN (855-663-9876) • FAX: 919-775-3541
www.zurn.com

In Canada: ZURN INDUSTRIES LIMITED
3544 NASHUA DRIVE • MISSISSAUGA, ONTARIO L4V 1L2
PHONE: 905-405-8272 • FAX: 905-405-1292

Form No. ZMKTG240-10, Rev. 6/12

Aquaflush Z6000



ENGINEERING SPECIFICATION: ZURN Z6000 Aquaflush®

Exposed Closet Flush Valve – Exposed, quiet diaphragm-type, chrome-plated, flushometer valve with a polished exterior. Complete with a chloramine resistant, dual seal diaphragm with a clog resistant by-pass. The valve is ADA compliant with a non-hold open and no leak handle feature, high back pressure vacuum breaker, one-piece hex coupling nut, adjustable tailpiece, spud coupling, and flange for top spud connection. Control stop has internal siphon-guard protection. Internal seals are made of chloramine resistant materials.

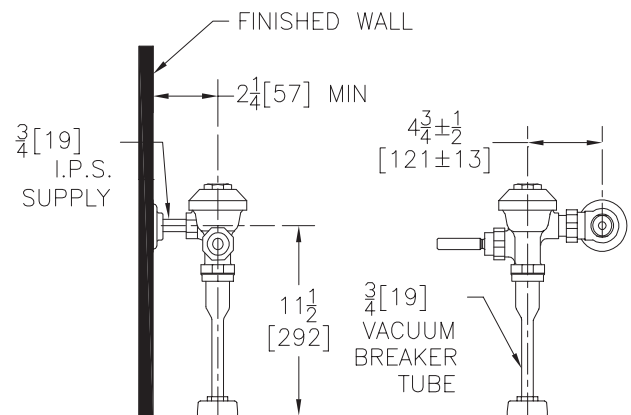
Flow Options

-WS1	1.6 Gallon Low Consumption Flush
-FF	4.5 Gallon Full Flush
Standard Flush	3.5 Gallons Per Flush

Suffix Options (Check/Specify Appropriate Options)

—	-BG	BioCare ADA Handle
—	-H	Handle on Front of Flush Valve
—	-L	1" [25] Metal Push Button
—	-L3	3" [76] Metal Push Button
—	-VC	Vandal-Resistant Stop Cover
—	-YB	Sweat Solder Kit
—	-YC	Cast Wall Flange
—	-YJ	Split Ring Pipe Support
—	-YK	Solid Ring Pipe Support
—	-YO	Bumper on Angle Stop
—		Other

Aquaflush Z6003



ENGINEERING SPECIFICATION: ZURN Z6003 Aquaflush®

Exposed Urinal Flush Valve – Exposed, quiet diaphragm-type, chrome-plated, flushometer valve with a polished exterior. Complete with a chloramine resistant, dual seal diaphragm with a clog resistant by-pass. The valve is ADA compliant with a non-hold open and no leak handle feature, high back pressure vacuum breaker, one-piece hex coupling nut, adjustable tailpiece, spud coupling, and flange for top spud connection. Control stop has internal siphon-guard protection. Internal seals are made of chloramine resistant materials.

Flow Options

-EWS	0.5 Gallon Per Flush
-WS1	1.0 Gallon Low Consumption Flush
Standard Flush	1.5 Gallons Per Flush

Suffix Options (Check/Specify Appropriate Options)

—	-BG	BioCare ADA Handle
—	-H	Handle on Front of Flush Valve
—	-L	1" [25] Metal Push Button
—	-L3	3" [76] Metal Push Button
—	-VC	Vandal-Resistant Stop Cover
—	-YB	Sweat Solder Kit
—	-YC	Cast Wall Flange
—	-YJ	Split Ring Pipe Support
—	-YK	Solid Ring Pipe Support
—		Other