

Class 150 Bronze Check Valves

Horizontal swing • regrinding type • Y-pattern • renewable seat and disc

150 PSI/10.3 bar saturated steam to 366° F/185° C
300 PSI/20.7 bar non-shock cold working pressure

CONFORMS TO MSS SP-80

MATERIAL LIST

PART	SPECIFICATION
1. Bonnet	Bronze ASTM B 62
2. Body	Bronze ASTM B 62
3. Hinge Pin	Bronze ASTM B 140 Alloy C31400 or B 134 Alloy C23000
4. Disc Hanger	Bronze ASTM B 62 or MPIF SS-316NI-25
5. Hanger Nut	Bronze ASTM B16
6. Disc Holder	Bronze ASTM B 62
7. Seat Disc	Steam (PTFE) (Y) Bronze ASTM B 62 C83600 (B)
8. Seat Disc Nut	Bronze ASTM B16 or B 62
9. Hinge Pin Plug	Bronze ASTM B 140 Alloy C31400 (not shown)
*10. Seat Disc Washer	ASTM B 98 Alloy C65500 or ASTM B 103

* Sizes ¾", 1", 1¼", 1½" and 2" only.

DIMENSIONS—WEIGHTS—QUANTITIES

Size	Dimensions								T-433		S-433		Master Ctn. Qty.	
	A		B		C		D		Lbs.	Kg.	Lbs.	Kg.		
In.	mm.	In.	mm.	In.	mm.	In.	mm.	In.	mm.	Lbs.	Kg.	Lbs.	Kg.	
¼	8	2.13	54	1.63	41	1.63	41	1.38	35	0.54	0.24	0.54	0.24	50
⅜	10	2.13	54	1.63	41	1.63	41	1.31	33	0.54	0.24	0.53	0.24	50
½	15	2.44	62	1.69	43	1.69	43	1.50	38	0.60	0.27	0.60	0.27	50
¾	20	2.94	75	1.88	48	1.88	48	1.88	48	0.98	0.44	0.99	0.45	50
1	25	3.56	90	2.31	59	2.31	59	2.25	57	1.58	0.72	1.57	0.71	30
1¼	32	4.19	106	2.69	68	2.69	68	2.75	70	2.39	1.08	2.34	1.06	20
1½	40	4.50	114	2.94	75	2.94	75	3.13	79	3.16	1.43	3.11	1.41	10
2	50	5.25	133	3.94	100	3.94	100	3.75	95	5.41	2.45	5.34	2.42	10
2½	65	8.00	203	5.06	129	5.06	129	5.31	135	11.48	5.21	11.20	5.08	5
3	80	9.25	235	6.25	159	6.25	159	6.25	159	17.53	7.95	16.91	7.67	4

Ordering: T-433 and S-433 normally furnished with Bronze Disc (T-433-B) or (S-433-B).
Both available with PTFE Steam Disc (T-433-Y), (S-433-Y).

Install 5 pipe diameters minimum downstream from pump discharge or changes in direction to avoid flow turbulence. Flow straighteners may be required in extreme cases.

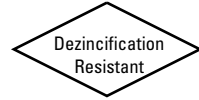
Note: On pump discharge, the preferred check valves are:
- inline, spring assisted, center-guided, lift checks.

NIBCO® Check Valves may be installed in both horizontal and vertical lines with upward flow or in any intermediate position. They will operate satisfactorily in a declining plane (no more than 15°).

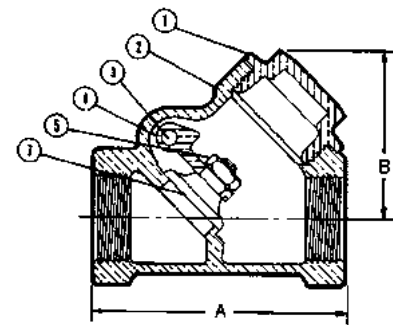
Warning – Do Not Use For Reciprocating Air Compressor Service.



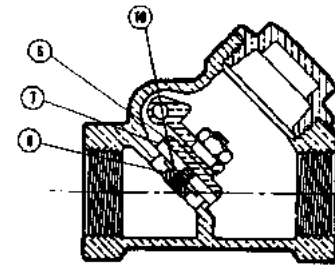
T-433
Threaded



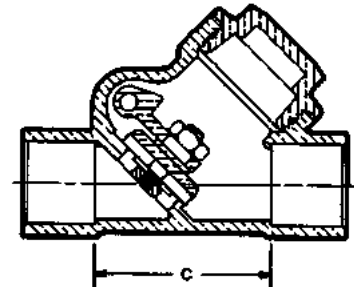
S-433
Solder



T-433-B
NPT x NPT



T-433-Y
NPT x NPT



S-433-Y
C x C