

Product information presented here reflects conditions at time of publication. Consult factory regarding discrepancies or inconsistencies.

MAIL TO: P.O. BOX 16347 • Louisville, KY 40256-0347
 SHIP TO: 3649 Cane Run Road • Louisville, KY 40211-1961
 (502) 778-2731 • 1 (800) 928-PUMP • FAX (502) 774-3624

visit our web site:
www.zoeller.com

ZOELLER ON-SITE WASTEWATER PRODUCTS

Zoeller Container Assembly

Installing the Zoeller Filter in Existing On-Site Systems



There are two ways to retrofit a Zoeller Filter in existing septic systems, dosing systems, or aerobic on-site wastewater systems. The first method is to retrofit a Zoeller Effluent Filter to the existing septic tank outlet pipe. This usually requires the outlet end of the septic tank to be dug up exposing the access cover. Then insert a Zoeller WW Filter 170-0078 in the outlet tee (SDR 35 or SCH 40) or replace the baffle with a tee and install the new filter. In many existing septic tanks it is very labor intensive or impossible to do because of the location or design of the existing tank. Also working in the environment of a septic tank is not very pleasant.

The alternative to installing the Zoeller Filter in the existing tank is to install it outside the tank between the tank outlet and the distribution system in the Zoeller Container Assembly. The installation is quick and simple and provides the same protection to the distribution system (lateral fields, STEP systems, mound systems, trickle systems, etc.) that is provided by installing the filter in the septic tank. The container assembly comes complete including the filter container, a 12" riser, riser lid, lid screws, SDR 35 and SCH 40 pipe seals and foam gasket.



Zoeller 5090-0001
 Container Assembly,
 Filter Container, 12"
 Riser and Riser Lid.

Part Number	Description	Weight
5090-0001	Container assembly w/12" riser and lid	32 lbs.
31-1473	12" riser extension w/hardware and gasket	10 lbs.
31-1476	6" riser extension w/hardware and gasket	5 lbs.

Useful for reducing laundry lint when utilized in a separate drainfield and installed with a "WW" Filter (P/N 170-0078).

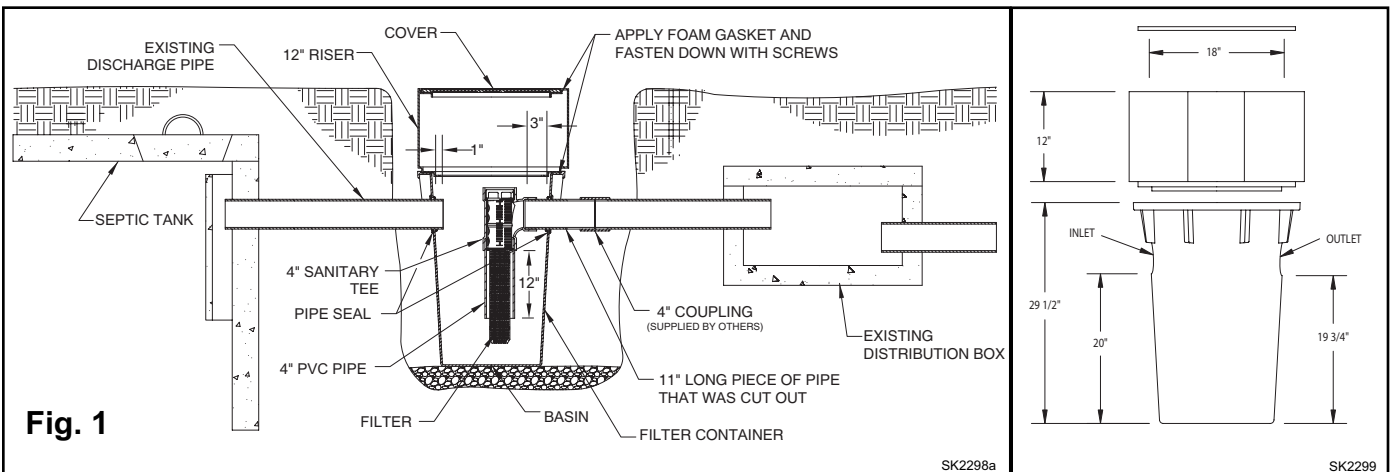
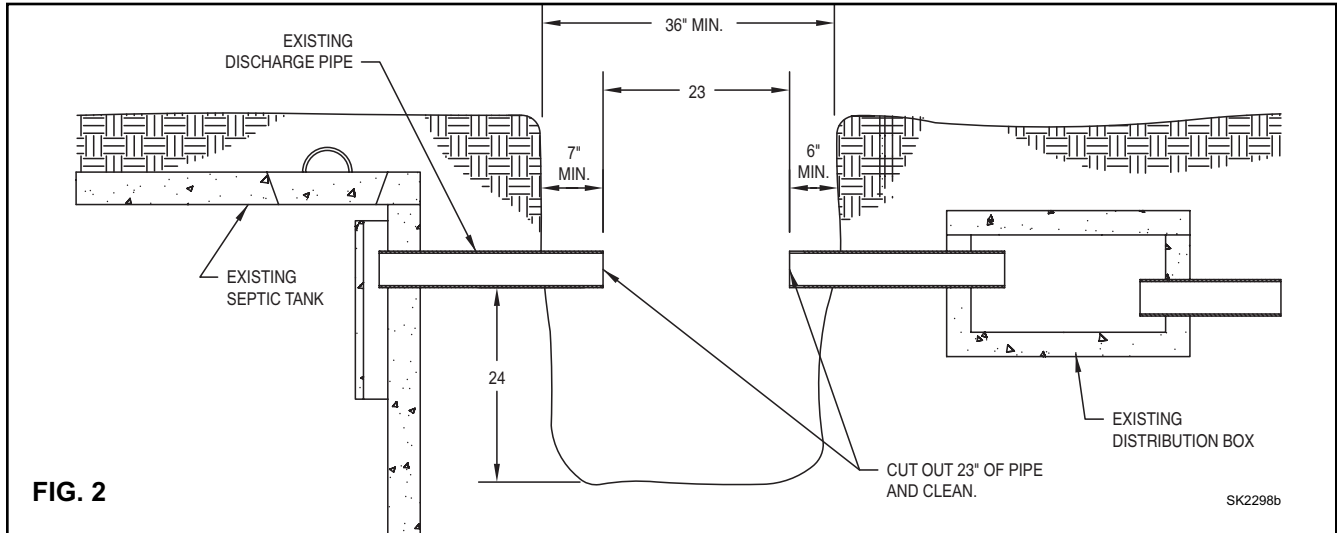


Fig. 1

A typical container assembly installation is shown above and the dimensions of the filter container, riser and riser lid are shown to the right. Filter and PVC fittings not included.



1. Dig a hole and remove a 23" section of the discharge pipe (see Fig. 2). Clean both ends of the exposed pipe.
2. There are two sizes of pipe seals included with the filter container. The larger seals are for SCH 40-4" PVC, and the smaller seals are for SDR 35-4" PVC. Install the appropriate pipe seal in the basin so that the pipe will slide in from the outside of the basin.
3. Cut and clean an 11" length of pipe from the 23" section of 4" pipe you removed from the discharge pipe. Cement a 4" coupling to one end of this pipe. The coupling will be used to reconnect the 11" length of pipe to the existing pipe on the distribution side of the basin. Insert the pipe into outlet pipe seal, keeping the coupling on the outside. Note: To ease installation, lubricate the seal with a mild soap solution such as dishwashing liquid.
4. Place 3" of sand or gravel in the hole. Place the basin in the hole, and adjust fill as needed to line up the pipe coming from the septic tank and the inlet hole on the basin. Insert the pipe coming from the septic tank into the inlet of the basin. The pipe should extend into the basin approximately 1" (see Fig. 1).
5. Prepare the coupling and pipe for cementing, then push outward on the outlet pipe and cement the coupling to the existing pipe. The pipe should extend into the basin approximately 3" (see Fig. 1). Note: After pipe is installed, clean off any remaining lubricant. (See Step #3)
6. To attach the filter (P/N 170-0078) to the outlet pipe, cement a 4" sanitary tee on to the outlet pipe with a 12" length of 4" pipe cemented to the bottom opening of the sanitary tee (See Fig. 1). If using a Zoeller Filter (P/N 170-0144) remove the filter from the sanitary tee. Cement the sanitary tee on to the pipe extending into the outlet of the basin. If the piping is SDR 35 use the reducer supplied with the filter. Slide the filter back into the sanitary tee.
7. Attach the 12" extension riser to the basin using the supplied foam gasket and bolts. Apply silicone caulking over the bolt and washer after installed. (Optional 6" and 12" extension risers are available to be added to the 12" extension as needed.) (See Front.)
8. Attach the cover to the extension using the supplied foam gasket and bolts.
9. Backfill to the top of the extension.