

WATER HAMMER ARRESTERS

660-GTR SERIES

MiniRester™

ITEM # SUBMITTED	_____
JOB NAME	_____
LOCATION	_____
ENGINEER	_____
CONTRACTOR	_____
PO#	_____ TAG _____

SPECIFICATION

Sioux Chief 660-GTR piston-type water hammer arresters shall be installed where required on supply valves. Water hammer arresters shall be specifically sized and have sufficient volume of air to dissipate the calculated kinetic energy generated by closing residential or commercial faucets or valves. Arresters shall be installed on both hot and cold lines on the supply stops where applicable. Arresters shall be approved for installation with no access panel required.

MATERIALS

- Arrester body:** 304 stainless steel
- Piston:** polypropylene with two EPDM o-rings
- Tee body:** nickel-plated no-lead machined brass

WORKING LIMITS

- Max working temperature:** 250°F
- Max working pressure:** 350 PSIG
- Burst tested to:** 1,500 PSIG

INSTALLATION

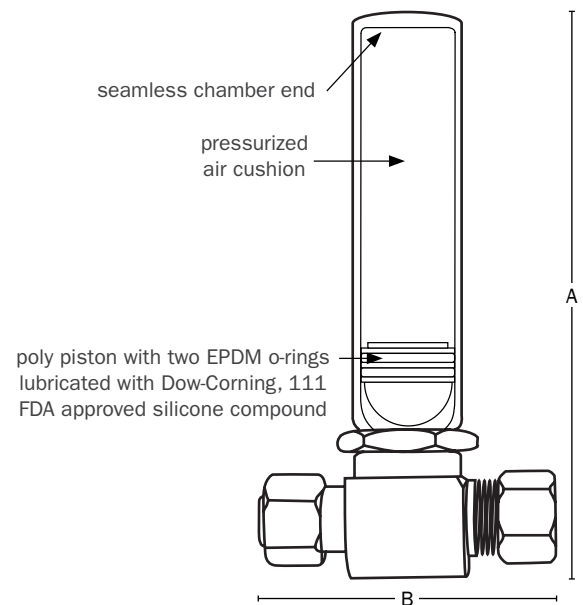
Install MiniRester compression connections to supply stops and supply lines. Approved for installation with no access panels required.

CERTIFICATIONS/APPROVALS

Certified by ASSE to the ANSI/ASSE 1010-2004 standard, AA size
cUPC listed to UPC and Canadian codes and standards

DIMENSIONS

	1/4" OD	3/8" OD	5/8" OD
A: overall height	4"	4"	4 1/4"
B: trunk width	2"	2"	2 1/2"



Choose Item Number

- 660-GTR0B** = 1/4" OD compression × female compression
- 660-GTR1B** = 3/8" OD compression × female compression
- 660-GTRB** = 5/8" OD compression × female compression