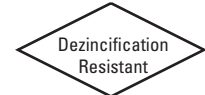


NIBCO® Press System Bronze Ball Valves

Two-Piece Body • Full Port • Bronze Trim • Blowout-Proof Stem • Press Ends Leak Detection



250 PSI/17.2 bar non-shock cold working pressure
250°F maximum operating temperature

CONFORMS TO MSS SP-110

MATERIAL LIST

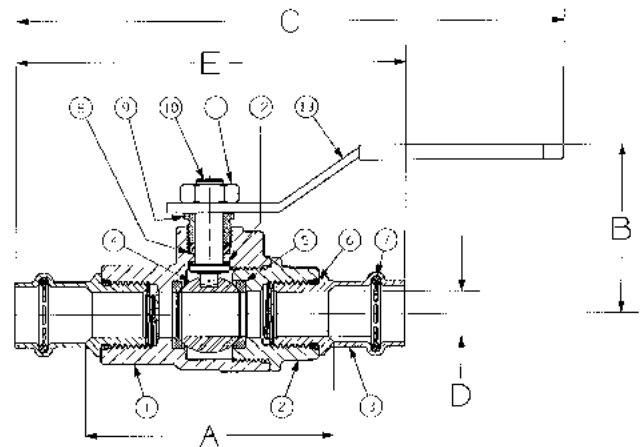
PART	SPECIFICATION
1. Body	Bronze ASTM B584 Alloy C84400
2. Body End	Bronze ASTM B584 Alloy C84400
3. Press End Adapter (2)	Wrot Copper ASTM B75 Alloy C12200
4. Ball	Brass ASTM B16 Alloy C36000 or ASTM B283 Alloy C37700 (Chrome/Nickel Plated)
5. Seat Ring (2)	Reinforced PTFE
6. Boss seal o-ring (2)	EPDM
7. O-Ring (2)	EPDM
8. Packing	PTFE
9. Pack Gland	Brass ASTM B16 Alloy C36000
10. Stem	Silicon Bronze ASTM B371 Alloy C69300 or ASTM B99 Alloy C65100
11. Handle Nut	Zinc Plated Steel
12. Thrust Washer	Reinforced PTFE
13. Handle Assembly	Zinc Plated Steel Clear Chromate Plastisol Coated



PC-585-70
Press x Press
Female End

Handle Options:

- Stainless steel lever
- NIB-SEAL®
- Locking lever
- Stainless steel locking lever
- Memory stop
- Extended lever w/ memory stop
- Round
- Wing
- Horizontal and vertical chain



PC-585-70
P x P

DIMENSIONS—WEIGHTS

SIZE	Dimensions						Weight						
	A	B	C	D	E	Lbs.	Kg.						
1/2"	13	2.76	70	1.90	48	6.00	152	.50	13	4.15	105	.80	.36
3/4"	19	3.28	83	2.28	58	7.29	185	.75	19	5.05	128	1.56	.71
1"	25	3.59	91	2.41	61	7.34	186	1.00	25	5.36	136	2.13	1.00
1 1/4"	32	4.62	117	3.05	77	10.04	255	1.25	32	6.64	169	3.73	1.69
1 1/2"	38	5.23	133	3.30	84	10.72	272	1.50	38	8.00	203	5.53	2.51
2"	50	5.63	143	3.51	89	11.05	281	2.00	50	8.65	220	7.95	3.61

NIBCO Press System ball valves are designed to meet MSS SP-110 with the exception of the end connection. Ball valves are down-rated from 600 PSI CWP to 250 PSI CWP to match the NIBCO Press System. Male and female press-to-connect ends are new technology not yet covered in the current edition of this specification.

Visit our website for the most current information.