

PFTRAP

Trap Primers



Product Features

- Designed to maintain trap seals in floor drains
- Brass construction
- Maximum operating pressure: 125 psi

| Model Number | A | L |
|--------------|------------------------------|--------|
| PFTRAPSD | 1/2" Solder female connector | 2-1/4" |
| PFTRAPID | 1/2" IP female connector | 2-1/4" |



PFTRAPSD

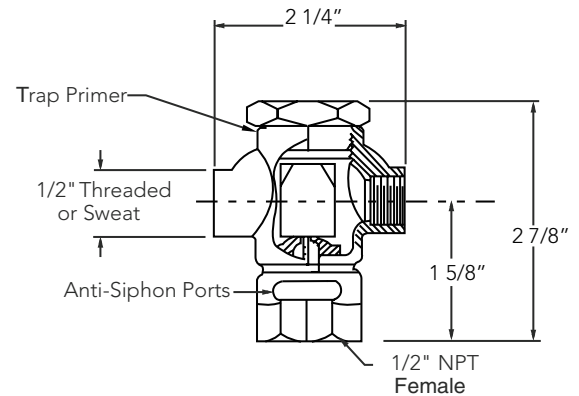
Installation

Water supply lines should be flushed clear of chips and debris, when possible, before installing.

Install in a frequently used horizontal cold water line above the trap to be protected. The trap primer valve should be installed at least 6" above the grid of a floor drain, or the flood rim, of the equipment which the trap is to serve.

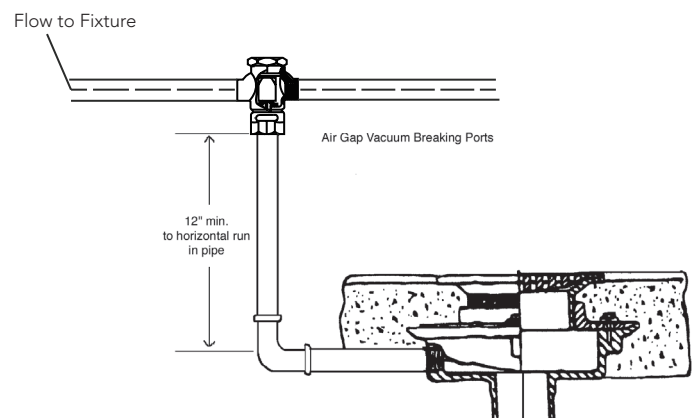
After the unit is installed, check through the anti-siphon ports to see that water flows to the drain trap when the cold water line is flowing, and that the valve shuts off when the water line is closed.

Product Specifications



| Pressure | Min. Flow Required |
|----------|--------------------|
| 20 | 1.0 |
| 40 | 1.4 |
| 60 | 1.7 |
| 80 | 1.8 |
| 100 | 2.1 |

* maximum operating pressure is 125 psi



Warranty and Codes

This PROFLO product carries a 1-year limited warranty

Distributed Exclusively by Ferguson and Wolseley Canada