



# PF91025 Thermoplastic Utility Pump

### Product Features

- Tough thermoplastic construction
- 1-1/4" NPT Discharge
- Clog resistant impeller
- 10' power supply cord
- Sleek design allows pump to fit in 6" opening
- 3/4" garden hose adapter included
- Can be used as a sump pump by adding a float switch
- Built-in thermal overload protection for safety
- Permanent split capacitor continuous duty motor
- 3.6 amps, 432 Watts
- 3450 RPM



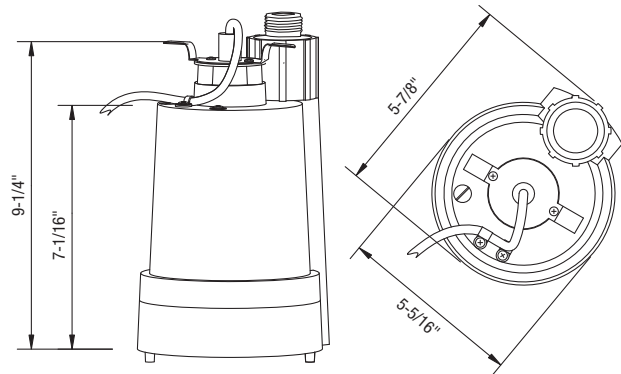
PF91025

### Motor Performance

- 1/5HP 120 Volt AC (3.6 amps)

Performance Chart						
Lift	0'	5'	10'	15'	20'	25'
GPM	26	21	14	10	7	1
GPH	1560	1260	840	600	420	60

### Product Specifications



\* All measurements are nominal. Please verify before actual installation.

### Warranty and Codes

This product comes complete with installation, operating, care and maintenance instructions. This PROFLO sump pump carries a 3 year warranty when installed in residential applications. See owners manual for warranty details.

This PROFLO sump pump carries a 3 year limited warranty. In an effort to continually improve our products, we will make design changes from time to time. We reserve the right to ship newly designed product to fill any order unless it is agreed in writing to do otherwise.



PROFLO.COM