

150# Malleable Fittings • Spec Sheet

CHINESE

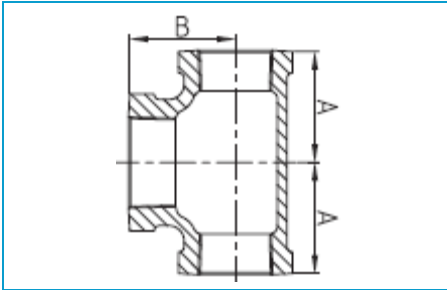


- Black & Galvanized
- Material: ASTM A197/A197M
- Dimensions:
 - ASME B16.3 covering 90° Elbows, 45° Elbows, Couplings, Reducers, 90° Street Elbows, 45° Street Elbows, Caps, Tees
 - ASME B16.39 covering Unions
 - ASME B16.14 covering Bushings, Plugs
- Threads: ASME B1.201
- Available: 1/8" through 6"
- Approvals: UL & FM approved

150# Malleable Fittings • Spec Sheet

CHINESE

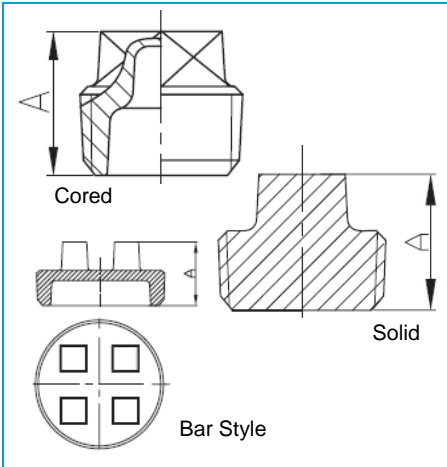
Bull Head Tee



Size	1/2x1/2x3/4	1/2x1/2x1	3/4x3/4x1	1x1x1-1/4	1x1x1-1/2
A	1.22	1.36	1.45	1.67	1.80
B	1.20	1.26	1.37	1.58	1.65

Size	1x1x2	1-1/4x1-1/4x1-1/2	1-1/2x1-1/2x2	2x2x2-1/2
A	2.02	1.88	2.16	2.60
B	1.93	1.82	2.02	2.39

Square Head Plug

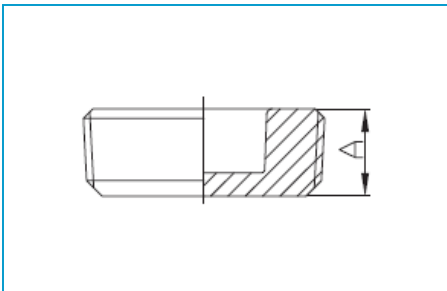


Size	1/8	1/4	3/8	1/2	1/2 (Solid)	3/4
A	0.61	0.72	0.79	0.94	0.94	1.07

Size	1	1-1/4	1-1/2	2	2-1/2	3
A	1.23	1.36	1.45	1.56	1.81	1.93

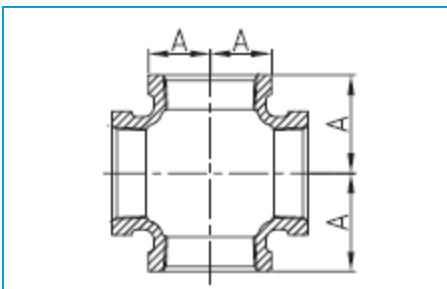
Size	4	4 (Bar Style)	6	6 (Bar Style)
A	2.54	2.22	2.82	2.66

Square Countersunk Plug



Size	1	1-1/2	2
A	0.75	0.83	0.88

Cross



Size	1/4	3/8	1/2	3/4	1
A	0.81	0.95	1.12	1.31	1.50

Size	1-1/4	1-1/2	2	2-1/2
A	1.75	1.94	2.25	2.70