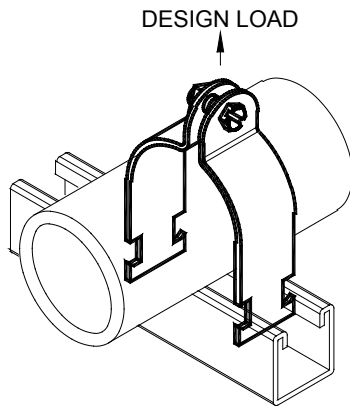
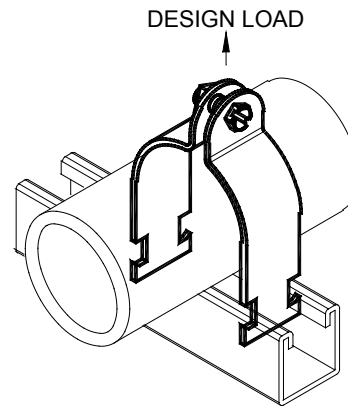


**FIGURE 7873 - Rigid Strut Clamp**



**FIGURE 7874 - Universal Strut Clamp**



| Catalog Number               | Pipe Sizes |        | O.D.   |       | Design Load |      |
|------------------------------|------------|--------|--------|-------|-------------|------|
|                              | in.        | Metric | in.    | mm    | Lbs.        | kN   |
| FNW7873Z0037                 | 3/8        | 10     | 0.675  | 17.1  | 400         | 1.78 |
| FNW7873Z0050<br>FNW7873S0050 | 1/2        | 15     | 0.840  | 21.3  | 400         | 1.78 |
| FNW7873Z0075<br>FNW7873S0075 | 3/4        | 20     | 1.050  | 26.7  | 600         | 2.67 |
| FNW7873Z0100<br>FNW7873S0100 | 1          | 25     | 1.315  | 33.4  | 600         | 2.67 |
| FNW7873Z0125<br>FNW7873S0125 | 1-1/4      | 32     | 1.660  | 42.2  | 600         | 2.67 |
| FNW7873Z0150<br>FNW7873S0150 | 1-1/2      | 40     | 1.900  | 48.3  | 800         | 3.56 |
| FNW7873Z0200<br>FNW7873S0200 | 2          | 50     | 2.375  | 60.3  | 800         | 3.56 |
| FNW7873Z0250<br>FNW7873S0250 | 2-1/2      | 65     | 2.875  | 73.0  | 800         | 3.56 |
| FNW7873Z0300<br>FNW7873S0300 | 3          | 80     | 3.500  | 88.9  | 800         | 3.56 |
| FNW7873Z0350<br>FNW7873S0350 | 3-1/2      | 90     | 4.000  | 101.6 | 1000        | 4.45 |
| FNW7873Z0400<br>FNW7873S0400 | 4          | 100    | 4.500  | 114.3 | 1000        | 4.45 |
| FNW7873Z0500<br>FNW7873S0500 | 5          | 125    | 5.562  | 141.3 | 1000        | 4.45 |
| FNW7873Z0600<br>FNW7873S0600 | 6          | 150    | 6.625  | 168.3 | 1000        | 4.45 |
| FNW7873Z0800<br>FNW7873S0800 | 8          | 200    | 8.625  | 219.1 | 1000        | 4.45 |
| FNW7873Z1000                 | 10         | 250    | 10.750 | 273.1 | 1000        | 4.45 |
| FNW7873Z1200                 | 12         | 300    | 12.750 | 323.9 | 1000        | 4.45 |

| Catalog Number | Clamp Sizes* |        | O.D.  |      | Design Load |      |
|----------------|--------------|--------|-------|------|-------------|------|
|                | in.          | Metric | in.   | mm   | Lbs.        | kN   |
| FNW7874Z0050   | 1/2          | 15     | 0.773 | 19.6 | 400         | 1.78 |
| FNW7874Z0075   | 3/4          | 20     | 0.986 | 25.0 | 600         | 2.67 |
| FNW7874Z0100   | 1            | 25     | 1.239 | 31.5 | 600         | 2.67 |
| FNW7874Z0125   | 1-1/4        | 32     | 1.585 | 40.3 | 600         | 2.67 |
| FNW7874Z0150   | 1-1/2        | 40     | 1.820 | 45.7 | 800         | 3.56 |
| FNW7874Z0200   | 2            | 50     | 2.286 | 58.1 | 800         | 3.56 |

\* These clamps are designed to fit both pipe (rigid conduit) and thin walled tubing (EMT) in the corresponding sizes.