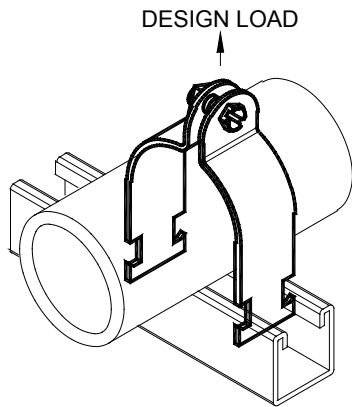


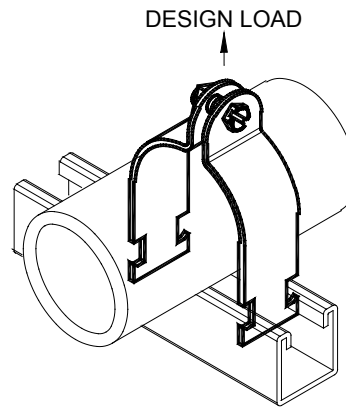
FIGURE 7870 - Copper Tubing Strut Clamp



Standard finish for figure 7870 is Copper Zinc Dichromate which has a copper color to identify product for use with copper tubing.

Catalog Number	Tubing Sizes		O.D.		Design Load	
	in.	Metric	in.	mm	Lbs.	kN
FNW7870C0025	1/4	6	0.375	9.5	400	1.78
FNW7870C0037	3/8	10	0.500	12.7	400	1.78
FNW7870C0050	1/2	15	0.625	15.9	400	1.78
FNW7870C0075	3/4	20	0.875	22.2	400	1.78
FNW7870C0100	1	25	1.125	28.6	600	2.67
FNW7870C0125	1-1/4	32	1.375	34.9	600	2.67
FNW7870C0150	1-1/2	40	1.625	41.3	600	2.67
FNW7870C0200	2	50	2.125	54.0	800	3.56
FNW7870C0250	2-1/2	65	2.625	66.7	800	3.56
FNW7870C0300	3	80	3.125	79.4	800	3.56
FNW7870C0350	3-1/2	90	3.625	92.1	1000	4.45
FNW7870C0400	4	100	4.125	104.8	1000	4.45
FNW7870C0500	5	125	5.125	130.2	1000	4.45
FNW7870C0600	6	150	6.125	155.6	1000	4.45

FIGURE 7871 - EMT Strut Clamp



Catalog Number	EMT Sizes		O.D.		Design Load	
	in.	Metric	in.	mm	Lbs.	kN
FNW7871Z0050	1/2	15	0.706	17.9	400	1.78
FNW7871Z0075	3/4	20	0.922	23.4	400	1.78
FNW7871Z0125	1-1/4	32	1.510	38.4	600	2.67
FNW7871Z0150	1-1/2	40	1.740	44.2	800	3.56
FNW7871Z0200	2	50	2.197	55.8	800	3.56