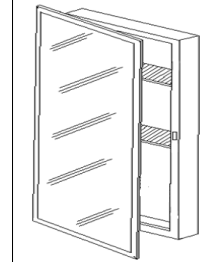


HORIZON COLLECTION MEDICINE CABINET MODEL B72338501



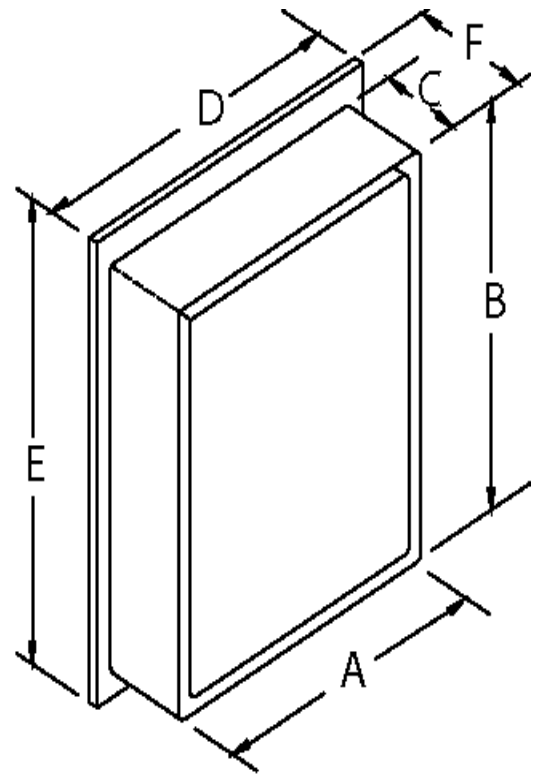
FEATURES

- Surface-mounted installation
- Molded White Plastic Housing/Body (PT01)
- 16" x 22" 5/32" Thick Mirror with 1/2" Bevel on Door Exterior
- Two Molded, Non-Removable Fixed Shelves
- 26 Gauge Steel Door Back with White Powder Coat Paint Finish
- 16" Piano Hinge with 90° Stop - Welded to the Door Back and Mechanically Fastened to Cabinet Body
- Magnetic Door Latch in Cabinet Body Aligns with Stainless Steel Striker Plate in Door Back
- Includes Mounting Screws
- Cabinet is Fully Assembled

SPECIFICATIONS

Finishes:

Housing: PT01-Basic White
Mirror: 1/2" Bevel Edge
Frame: Frameless



MODEL NO.	BODY SIZE			OVERALL SIZE *		
	A	B	C	D	E	F
B72338501	15-3/4	19-3/4	3-5/8	16	22	4-1/4

REFERENCE	QTY.	REMARKS	Project
			Location
			Architect
			Engineer
			Contractor
			Submitted by
			Date

* All models and material specifications are subject to change or withdrawal without notice.

S909_B72338501