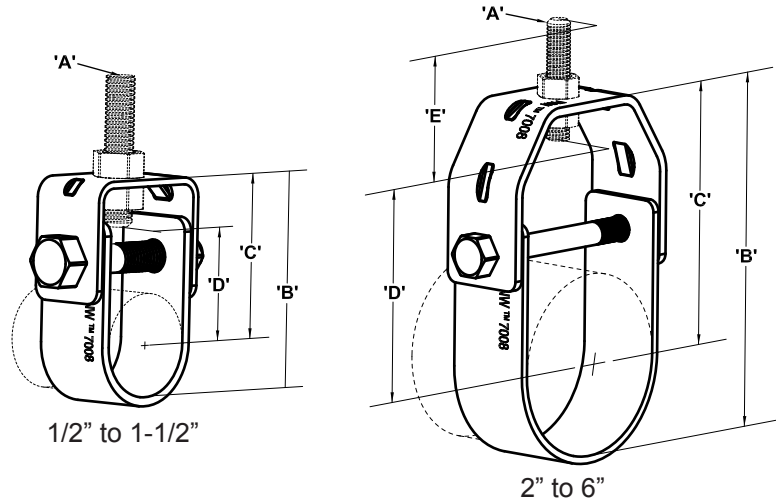


FIGURE 7008 - Adjustable Clevis Hangers for Copper Tube

Finish: Epoxy Plated
 Color: Copper
 MSS SP-58, Type 1
 Federal Specification WW-H-171, Type 1



- A - Rod size (hanger rod and nuts not included)
- B - Bottom of pipe to top of hanger
- C - Center of pipe to top of hanger
- D - Rod take out (center of pipe to bottom of hanger rod)
- E - Minimum thread length of hanger rod
- F - Adjustment, top of cross bolt to bottom of hanger rod nut inside hanger

Catalog Number	Pipe Size		A (Rod size)	B		C		D	
	in.	mm		in.	mm	in.	mm	in.	mm
FNW7008EC0050	1/2	15.9	3/8"-16	1-3/4	45.00	1-7/16	36.20	3/8	9.20
FNW7008EC0075	3/4	22.2	3/8"-16	2	51.40	1-1/2	39.40	1/2	12.40
FNW7008EC0100	1	28.6	3/8"-16	2-7/16	61.70	1-7/8	46.55	3/4	19.55
FNW7008EC0125	1-1/4	34.9	3/8"-16	2-3/4	71.10	2-1/16	52.55	1	25.55
FNW7008EC0150	1-1/2	41.3	3/8"-16	3-3/16	82.00	2-3/8	60.30	1-1/8	27.80
FNW7008EC0200	2	54.1	3/8"-16	4-1/16	102.70	2-15/16	74.65	1-5/8	42.15
FNW7008EC0250	2-1/2	66.7	1/2"-13	5-3/16	131.37	3-7/8	96.77	2-5/16	57.52
FNW7008EC0300	3	79.4	1/2"-13	5-5/8	142.47	4	101.52	2-7/16	62.27
FNW7008EC0400	4	104.8	1/2"-13	6-1/2	166.27	4-7/16	112.37	2-7/8	72.62
FNW7008EC0500	5	130.2	1/2"-13	9-1/8	231.17	6-1/2	164.42	4-1/2	116.02
FNW7008EC0600	6	155.6	5/8"-11	11-1/16	281.07	7-15/16	201.32	6	152.92

Catalog Number	Pipe Size		E		F		Bolt Size	Design Load		Weight Lbs.
	in.	mm	in.	mm	in.	mm		Lbs.	kN	
FNW7008EC0050	1/2	15.9	2-1/2	63.5	7/16	11.1	1/4-20UNC	150	0.67	0.09
FNW7008EC0075	3/4	22.2	2-1/2	63.5	1/2	12.7	1/4-20UNC	250	1.11	0.10
FNW7008EC0100	1	28.6	2-1/2	63.5	5/8	15.9	1/4-20UNC	250	1.11	0.13
FNW7008EC0125	1-1/4	34.9	2-1/2	63.5	7/8	22.2	1/4-20UNC	250	1.11	0.15
FNW7008EC0150	1-1/2	41.3	2-1/2	63.5	1-3/16	30.2	1/4-20UNC	250	1.11	0.18
FNW7008EC0200	2	54.1	2-1/2	63.5	1-5/8	41.3	1/4-20UNC	250	1.11	0.21
FNW7008EC0250	2-1/2	66.7	2-1/2	63.5	2	50.8	5/16-18UNC	350	1.56	0.51
FNW7008EC0300	3	79.4	2-1/2	63.5	2	50.8	5/16-18UNC	350	1.56	0.57
FNW7008EC0400	4	104.8	2-1/2	63.5	2	50.8	5/16-18UNC	400	1.78	0.70
FNW7008EC0500	5	130.2	2-1/2	63.5	2	50.8	3/8-16UNC	550	2.45	1.50
FNW7008EC0600	6	155.6	3	76.2	2	50.8	3/8-16UNC	500	2.23	1.80