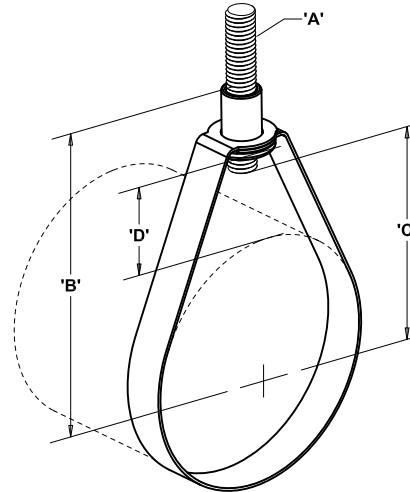


**FIGURE 7015 - Adjustable Swivel Ring Hangers for Copper Tube**

Finish: Epoxy Plated  
 Color: Copper  
 MSS SP-58, Type 10  
 Federal Specification WW-H-171, Type 10



- A - Rod size (hanger rod not included)
- B - Center of pipe to top of knurled hanger rod nut
- C - Rod take out (center of pipe to bottom of hanger rod)
- D - Top of pipe to bottom of hanger rod nut

Catalog Number	Pipe Size		A (Rod Size)	B		C		D	
	in.	mm		in.	mm	in.	mm	in.	mm
FNW7015EC0050	1/2	16.00	3/8-16UNC	2-1/4	57.2	13/16	20.6	15/16	23.8
FNW7015EC0075	3/4	22.35	3/8-16UNC	2-1/2	63.5	1-3/32	27.8	1 3/16	30.2
FNW7015EC0100	1	28.70	3/8-16UNC	2-17/32	64.3	1-1/8	28.6	1 5/32	29.4
FNW7015EC0125	1-1/4	35.05	3/8-16UNC	2-1/2	63.5	1-3/32	27.8	31/32	24.6
FNW7015EC0150	1-1/2	41.40	3/8-16UNC	2-27/32	72.2	1-7/16	36.5	1 3/16	30.2
FNW7015EC0200	2	54.10	3/8-16UNC	2-27/32	72.2	1-13/32	35.7	29/32	23.0
FNW7015EC0250	2-1/2	66.68	3/8-16UNC	3	76.2	1-19/32	40.5	27/32	21.4
FNW7015EC0300	3	79.38	1/2-13UNC	3-15/16	100.0	2-13/32	61.1	1-13/32	35.7
FNW7015EC0400	4	104.78	1/2-13UNC	4-3/4	120.7	3-7/32	81.8	1-3/4	44.5
FNW7015EC0500	5	130.18	5/8-11UNC	5-25/32	146.8	4-3/16	106.4	2-1/4	57.2
FNW7015EC0600	6	155.58	5/8-11UNC	6-3/16	157.2	4-5/8	117.5	2-5/32	54.8

Catalog Number	Pipe Size		Design Load		Weight
	in.	mm	Lbs.	kN	Lbs.
FNW7015EC0050	1/2	16.00	300	1.33	0.09
FNW7015EC0075	3/4	22.35	300	1.33	0.10
FNW7015EC0100	1	28.70	300	1.33	0.10
FNW7015EC0125	1-1/4	35.05	300	1.33	0.10
FNW7015EC0150	1-1/2	41.40	300	1.33	0.11
FNW7015EC0200	2	54.10	300	1.33	0.11
FNW7015EC0250	2-1/2	66.68	525	2.34	0.13
FNW7015EC0300	3	79.38	525	2.34	0.31
FNW7015EC0400	4	104.78	650	2.89	0.38
FNW7015EC0500	5	130.18	1000	4.45	0.53
FNW7015EC0600	6	155.58	1000	4.45	0.78

FNW701XRNC	3/8 RIVET NUT F/ LOOP HGR
FNW701XRND	1/2 RIVET NUT F/ LOOP HGR
FNW701XRNE	5/8 RIVET NUT F/ LOOP HGR